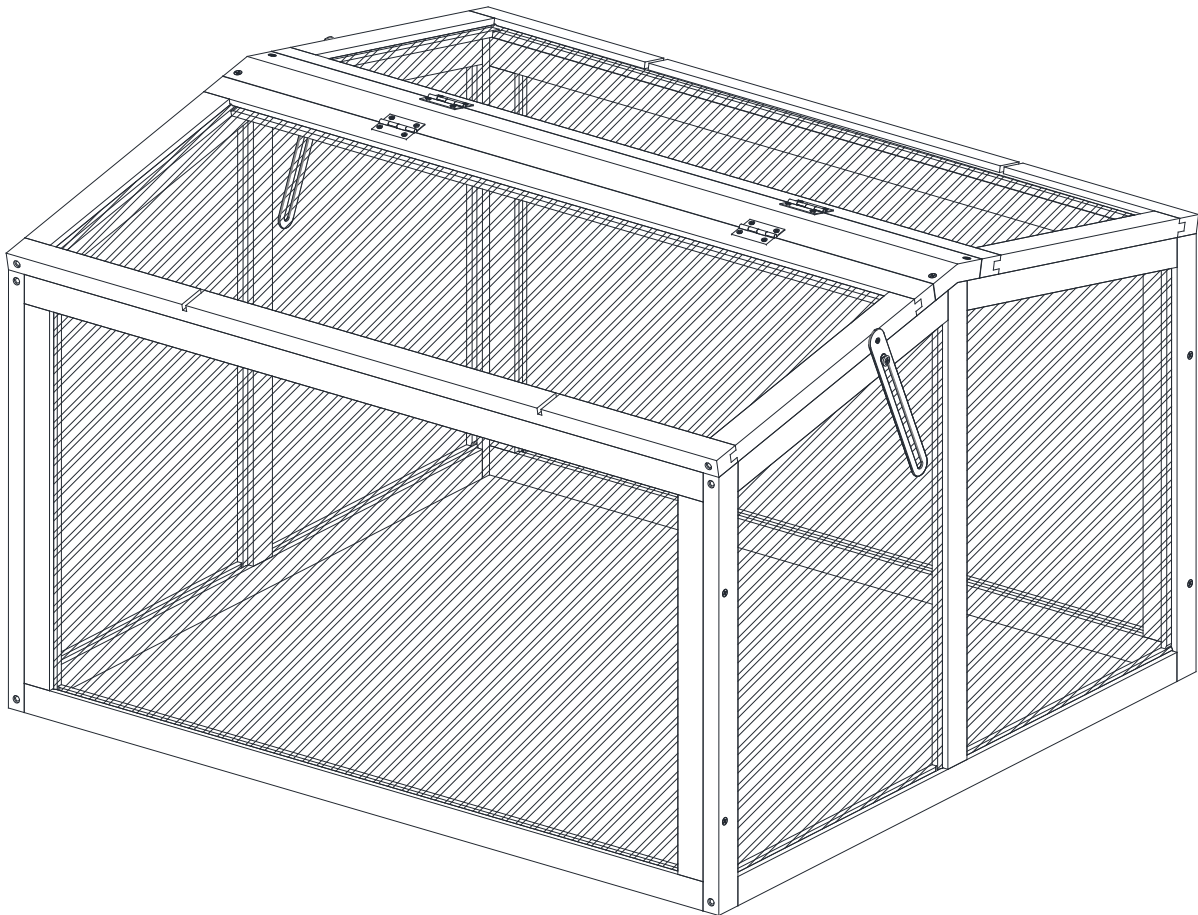




INbvc010V01\_GL

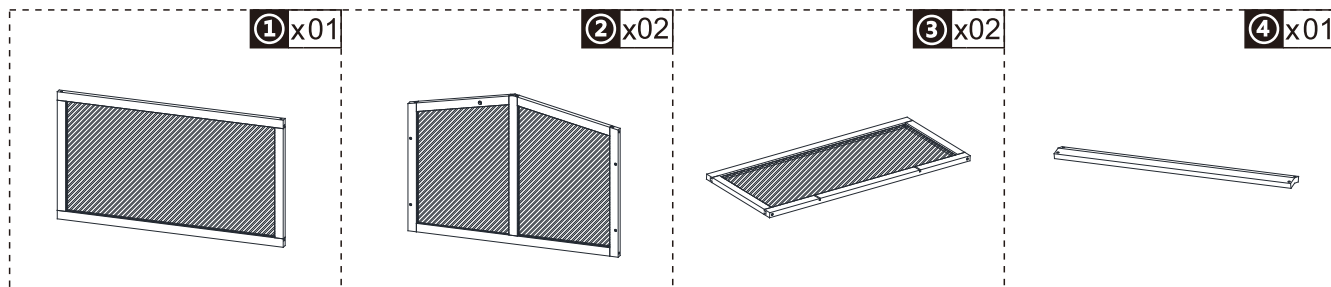
**845-380**



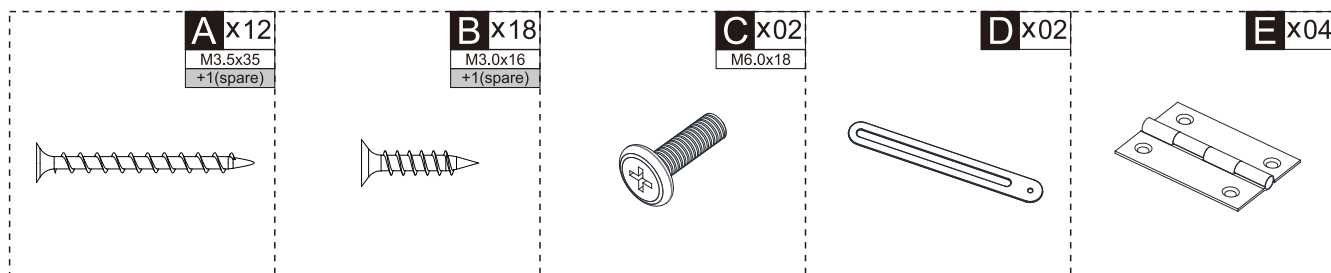
IMPORTANT, RETAIN FOR FUTURE REFERENCE: READ CAREFULLY

# ASSEMBLY & INSTRUCTION MANUAL

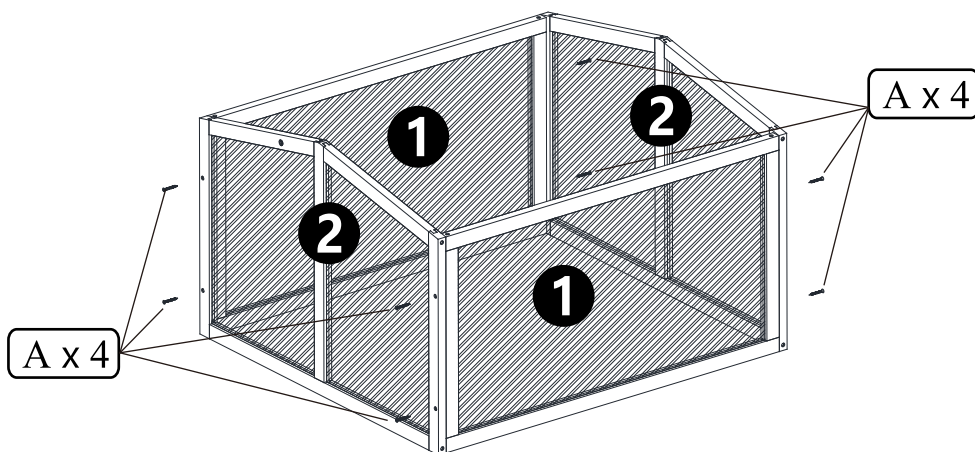
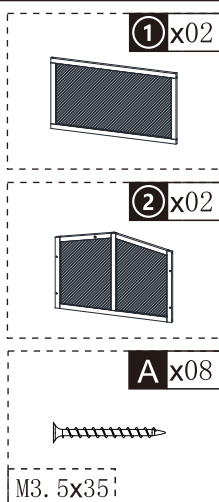
**PARTS**



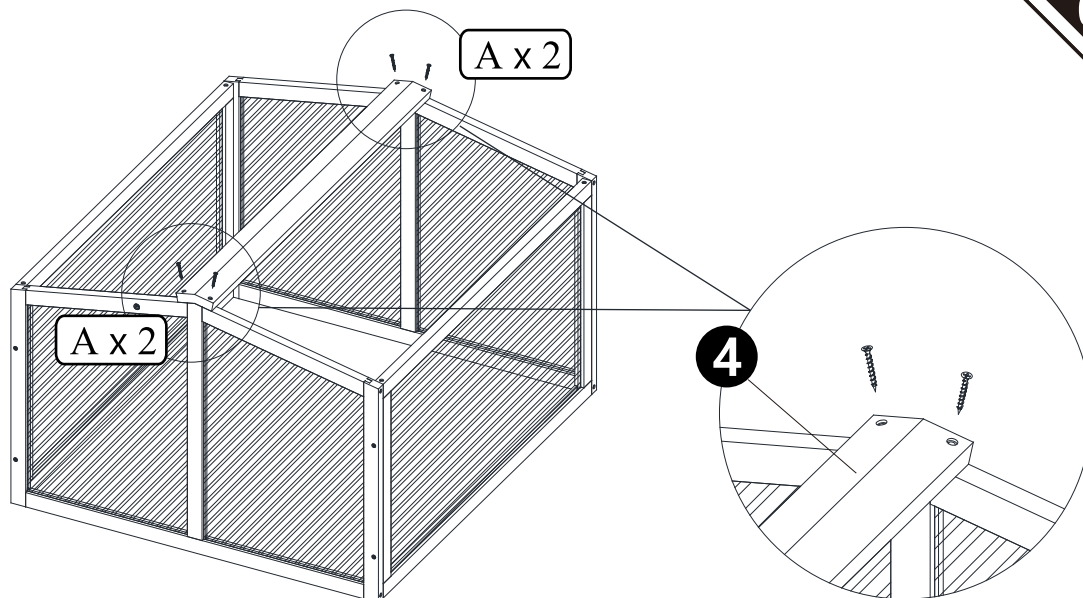
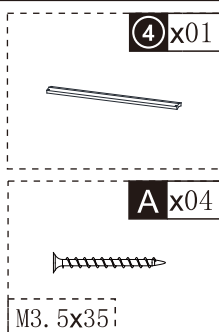
**HARDWARE**



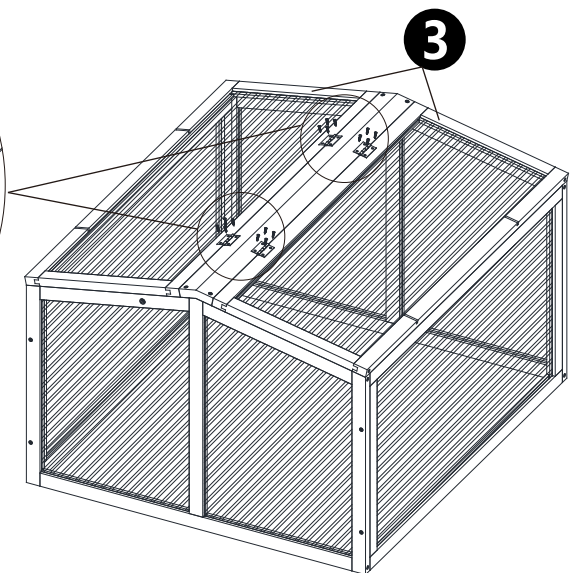
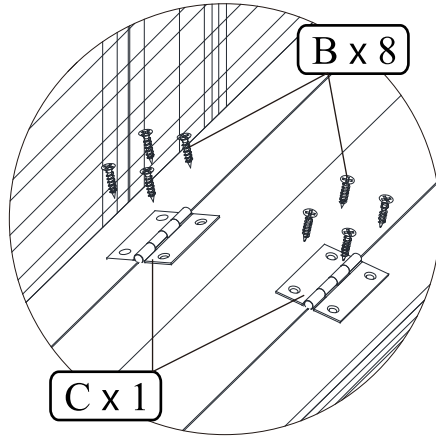
**01**



**02**



- 3** x02
- B** x16
- M3.0x16
- E** x04



- D** x02
- B** x02
- M3.0x16
- C** x02
- M6.0x18

