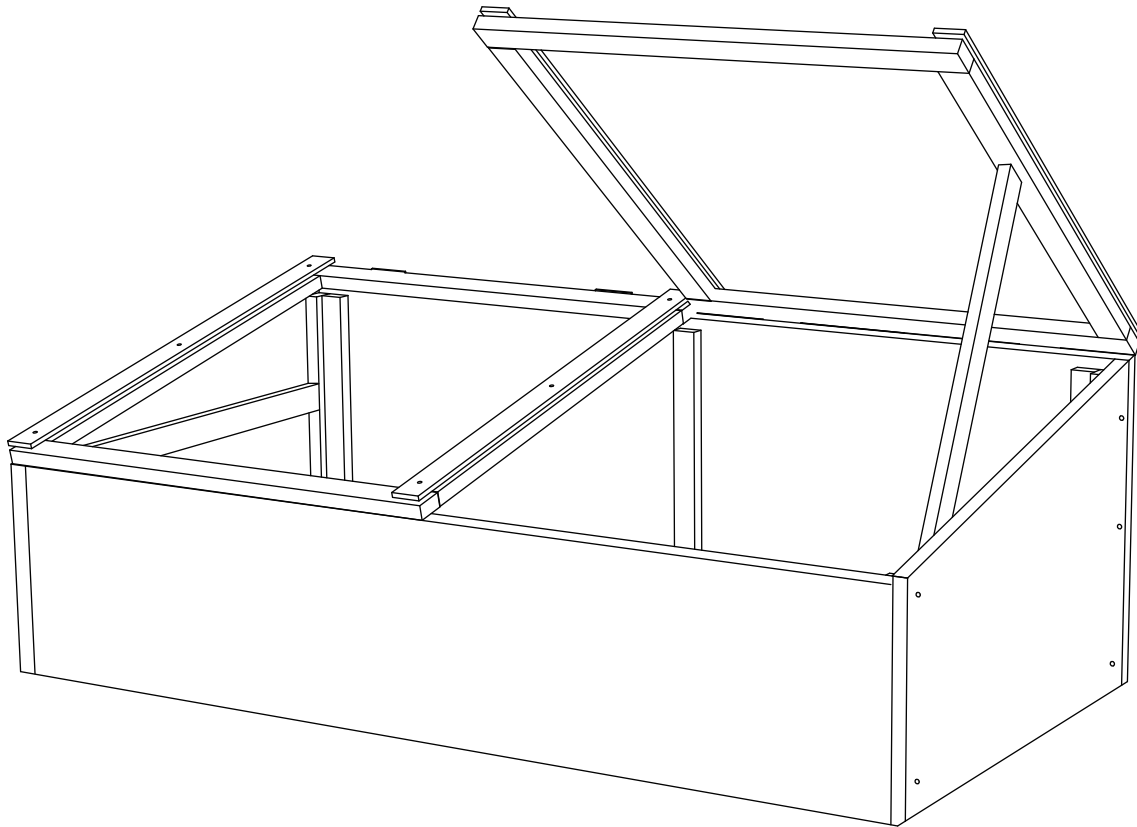




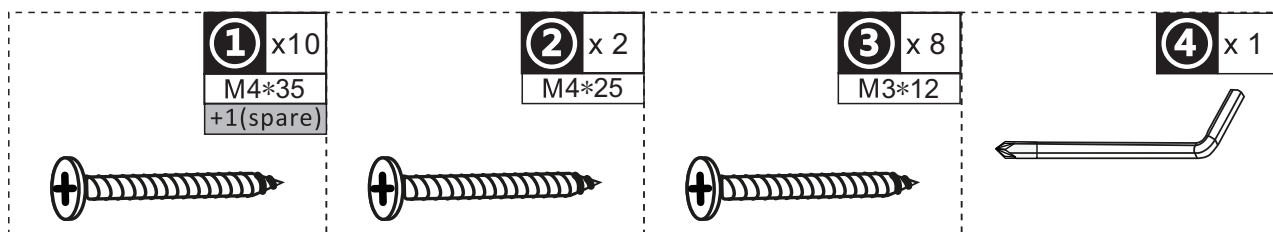
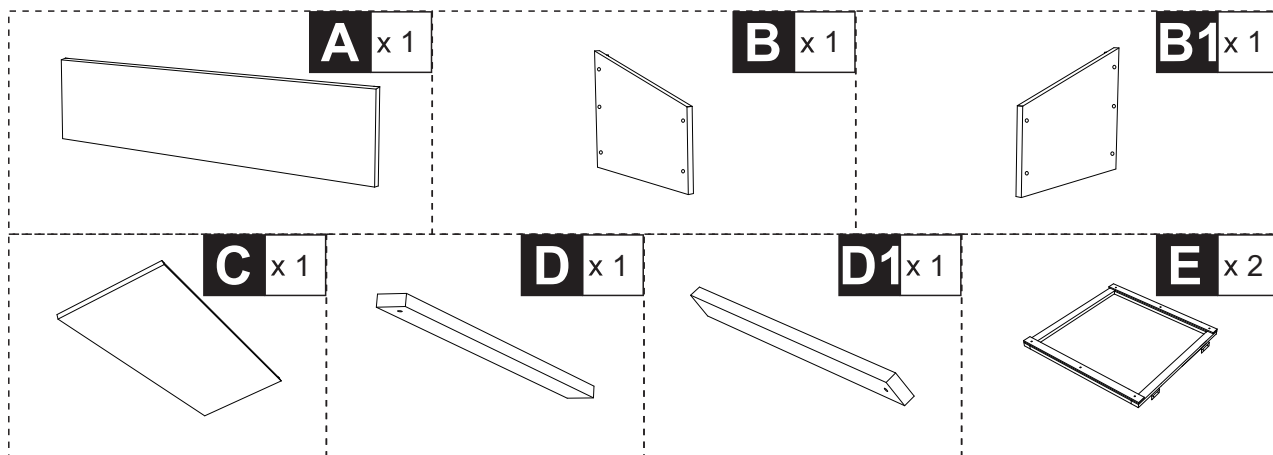
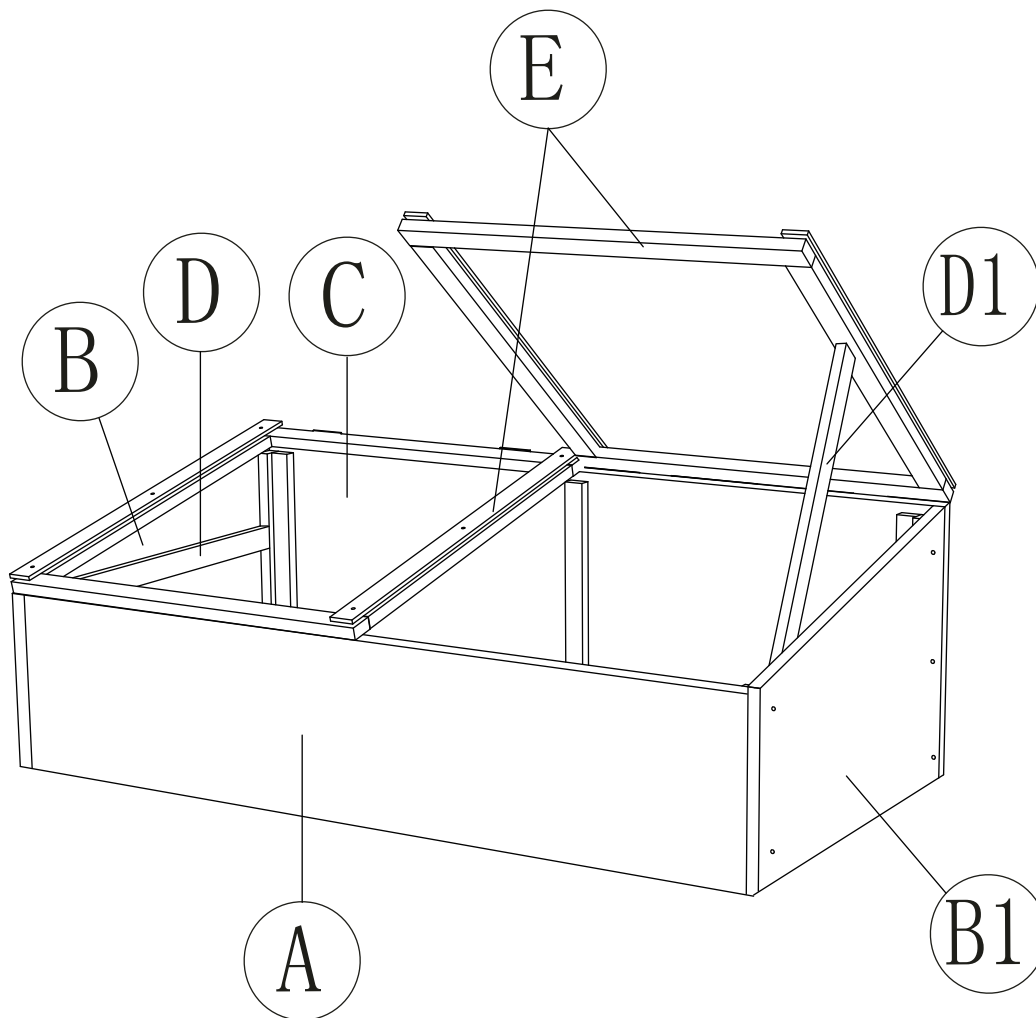
INbvc016_GL

845-538

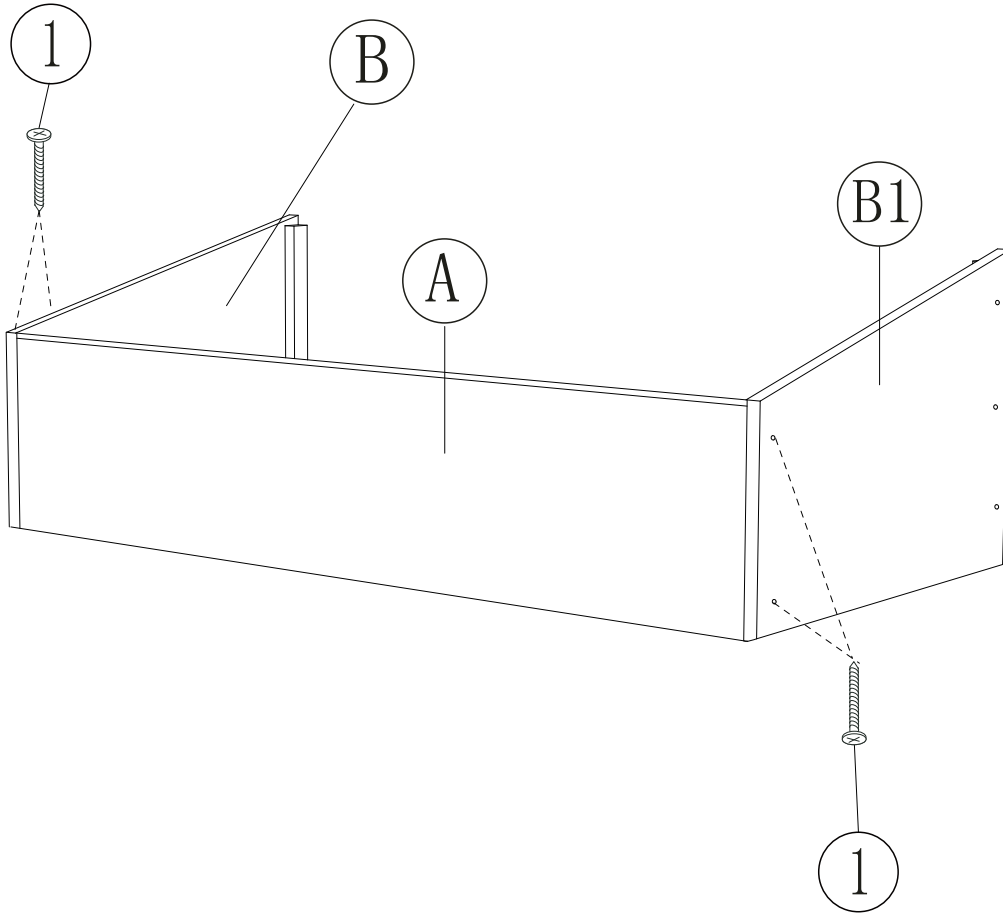


IMPORTANT, RETAIN FOR FUTURE REFERENCE: READ CAREFULLY

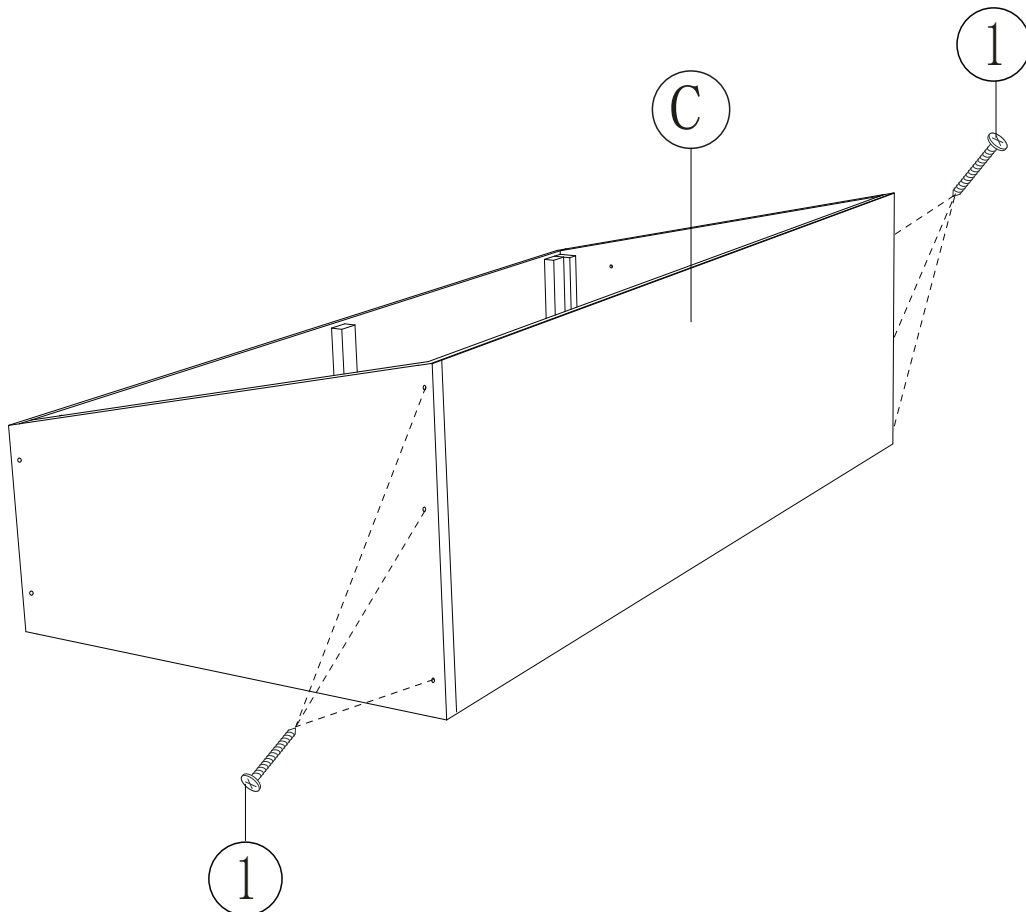
ASSEMBLY & INSTRUCTION MANUAL



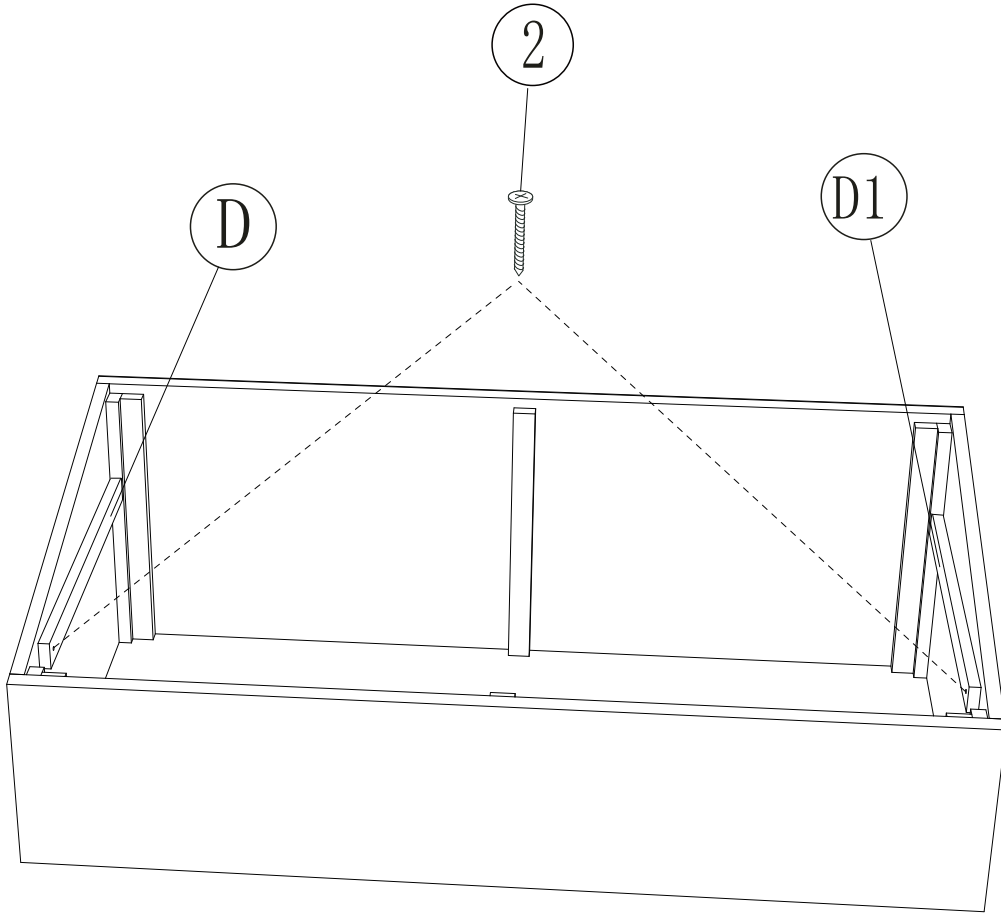
① x 4
M4*35



① x 6
M4*35



2 x 2
M4*25



3 x 8
M3*12

