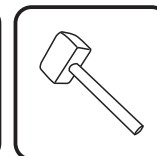
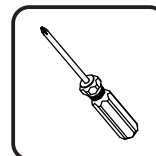
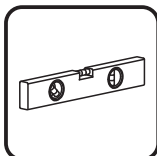
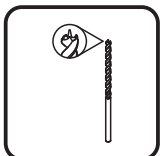


*EN\_* Assembly video please scan the QR code.  
*FR\_* Vidéo d'assemblage, veuillez scanner le code QR.  
*ES\_* Montajevideo scannen Sie bitte den QR-Code ein.  
*DE\_* Vídeo de montaje, escanea el código QR.  
*IT\_* Scansionare il codice QR per il Video di Assemblaggio



Tools Recommended

**EN\_ IMPORTANT, RETAIN FOR FUTURE REFERENCE: READ CAREFULLY.**

**FR\_ IMPORTANT: A LIRE ATTENTIVEMENT ET À CONSERVER POUR CONSULTATION ULTÉRIEURE.**

**ES\_ IMPORTANTE, LEA Y GUARDE PARA FUTURAS REFERENCIAS.**

**DE\_ WICHTIG! SORGFÄLTIG LESEN UND FÜR SPÄTER NACHSCHLAGEN AUFBEWAHREN.**

**IT\_ IMPORTANTE! CONSERVARE IL PRESENTE MANUALE PER FUTURO RIFERIMENTO E LEGGERLO ATTENTAMENTE.**

## IMPORTANT

You must read these instructions carefully before you start to assemble this greenhouse. Please ensure that you find all parts in the carton box in the correct type and quantity as mentioned in the list illustrated in every page accordingly. Please carry out the steps in the order set out in these instructions. Do not tighten the steps in the greenhouse until completing on the assembly of the poly carbon ate panels. Keep these instructions in a safe place for future reference.

## SAFETY ADVICE

We strongly recommend the use of work gloves during assembly. Do not attempt to assemble the greenhouse in windy or wet conditions, Do not touch overhead power cables with the aluminum profiles. Always wear shoes and safety goggles when working with extruded aluminum.

Dispose of all plastic bags safety-keep them out of reach of small children.

The greenhouse must be positioned and fixed on a flat level surface.

Do not lean against or push the greenhouse during construction.

Keep children away from the assemble area.

Do not position your greenhouse in an area exposed to excessive wind.

Do not attempt to assemble this greenhouse if you are tired ,have taken drugs or alcohol or if you are prone to dizzy spells.

If using a step ladder or power tools ensure that you follow the manufactures safety advice.

Hot items such as recently used grills, blowtorches etc. must not be stores in the greenhouse.

Ensure there are no hidden pipes or cables in the ground before inserting the pegs.

## GENERAL ADVICE

This is a multi-part assembly, Allow at least 140 minutes for assembly. Selecting a site-choose a sunny level position away from overhanging trees.

If you are fixing your greenhouse directly to a solid concrete foundation use the pre drilled holes in the metal base supplied.

The component parts should be checked and laid out close at hand.

Keep all small parts(screws etc)in a bowl so they do not get lost.

Note that the door is hinged on the right hand side and therefore opens to the right.

Keep roof clear of snow and leaves.

Firstly, make sure a good installation location.

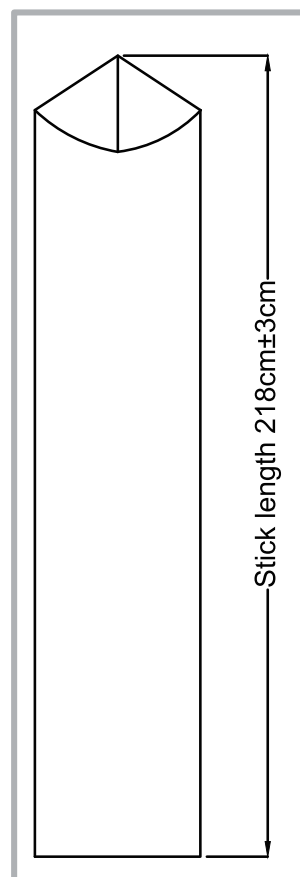
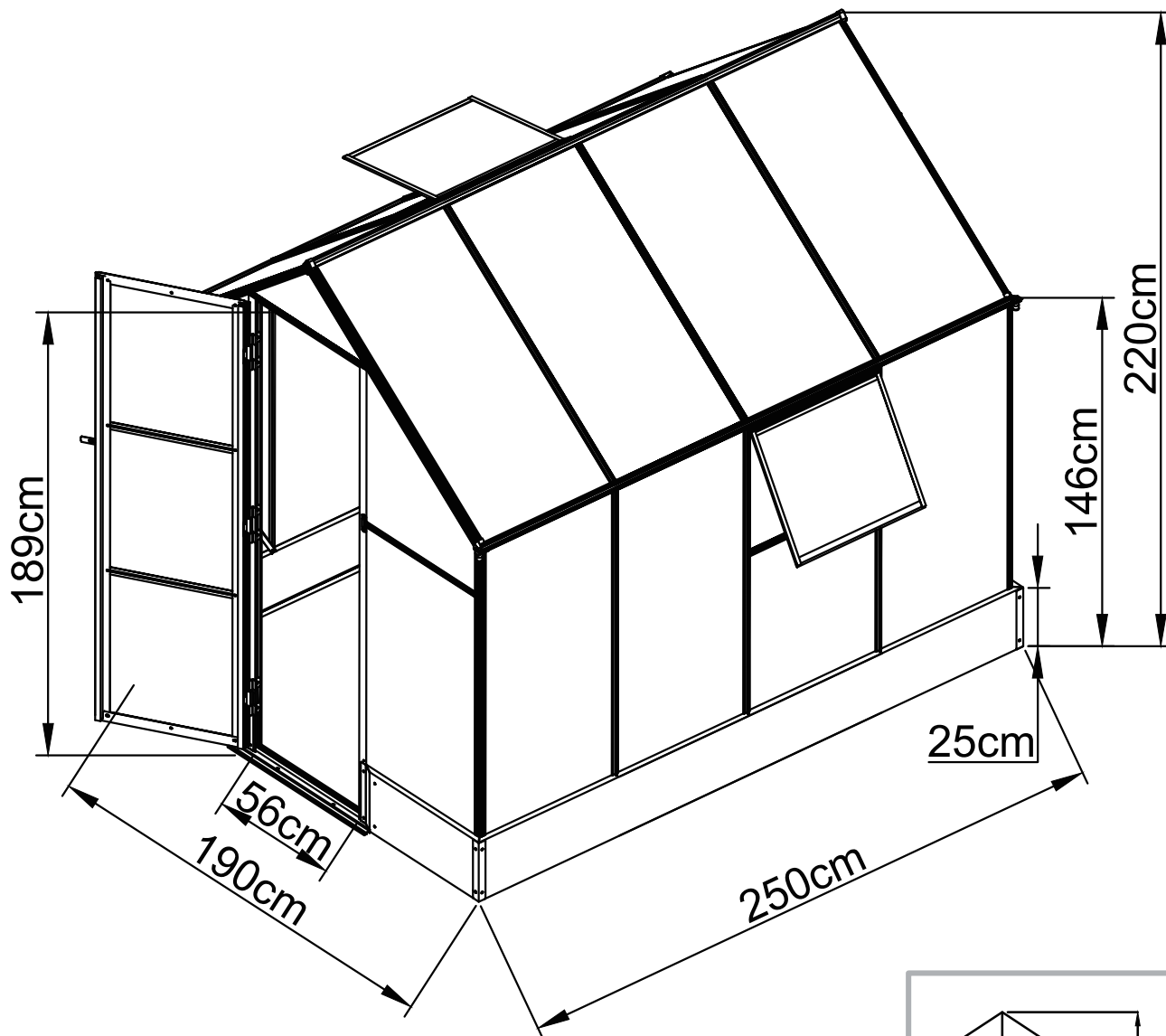
Find a flat ground which is 2 times bigger than the Green house before installation.

## OTHER CAUTIONS


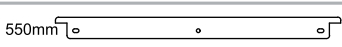

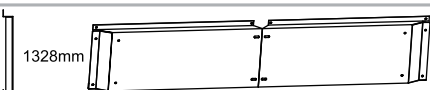


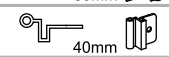


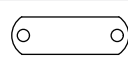

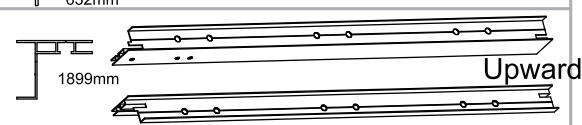

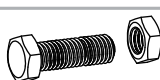
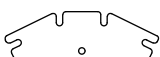
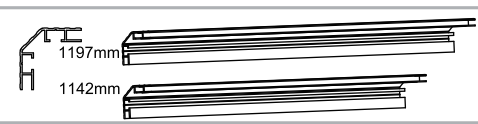
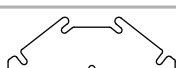
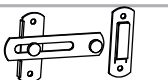


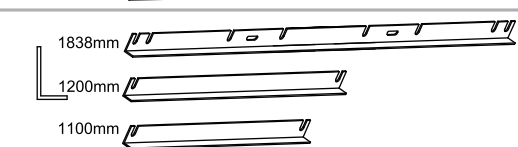

1. 2 people required, one is for measuring & taking marks to ensure the installation dimension, the second person is responsible for the installation and the last one do as assistant and assure the safety.
2. High-power electric tools are required, ensure the normal work of them and highly pay attention to electric safety.
3. Be careful when using the kind of blunt tools, like hammer.
4. Wearing long sleeve cotton overalls, gloves and helmet during installation and wear safety glasses when using power tools.
5. No up watching when working height, or the drop screws may hurt your eyes and suffocation causing accidentally when fall into your mouth.
6. No climbing, No standing on the tent to avoid falling down.
7. If injuries immediately, using the first-aid kit to stop bleeding, bind up, In case of emergency, taken immediately to a nearby medical institutions.

### Care & Maintenance:




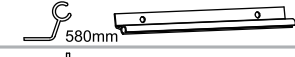
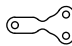


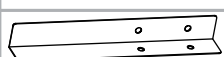











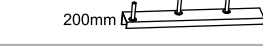

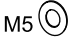
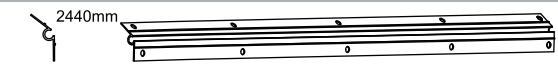




- 1 Keep the shed clean with soft cloth; When your greenhouse needs cleaning, use a mild detergent solution and risen with cold clean water. Do NOT use acetone, abrasive cleaners or other special detergents to clean the clear panels.
- 2 Keep the door tracks clear of dirt and other stuff that prevent them from sliding easily.
- 3 Clean the snow with necessary tools to make sure it is safe to enter into; Heavy snow may cause collapse, please make sure safety before entering into.
- 4 The shed is not made for living but storing stuff.
- 5 Please add some oil on the top and bottom door sliding channel to make door slides smoothly.



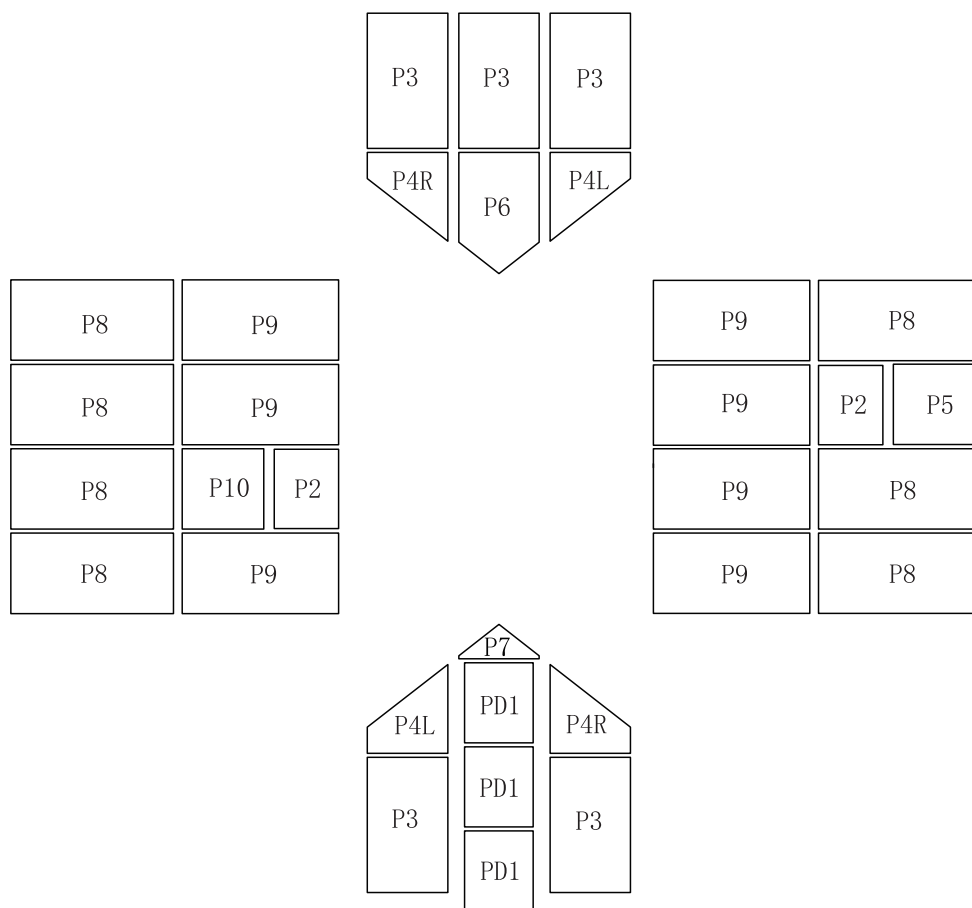
## Front wall and back wall

NO.	Qty.		NO.	Qty.		NO.	Qty.	
D1	2		D3	2				
D2	4		NBP1	1				
5	3		NBP2	1				
6	6							
D7	1		<b>NO.</b>	<b>Qty.</b>		<b>NO.</b>	<b>Qty.</b>	
D5	1		C2	8		F1	6	
9L	1		B4	4		F6	6	
9R	1		B5	4				
7	4		B6	2				
16	4		L3	1				
10L	1		L3-1	1				
10R	1		L2	1				
14	1		L5	3				
22	4							
23	4							

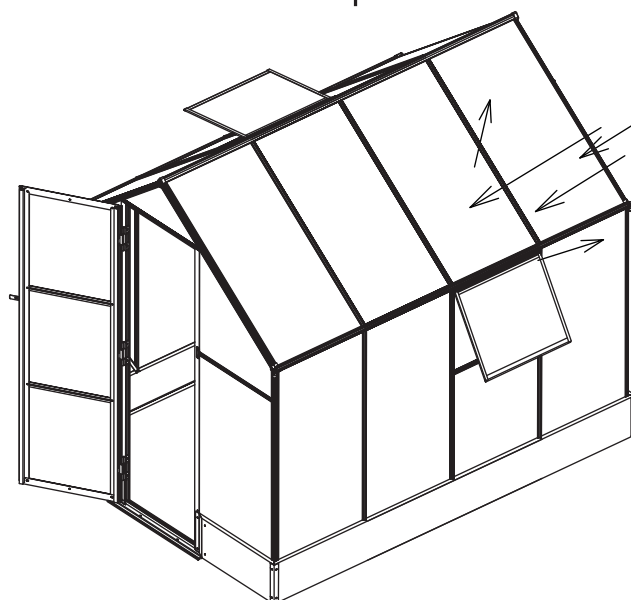
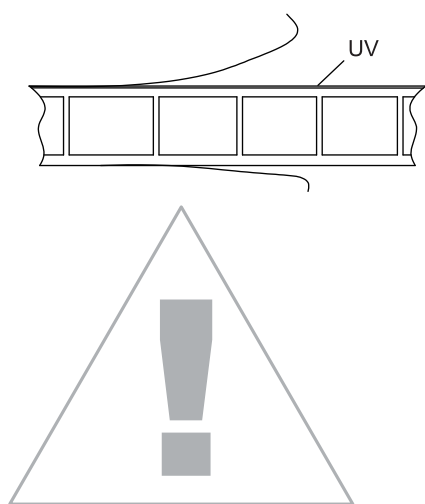
## Left and right walls and top

NO.	Qty.		NO.	Qty.		NO.	Qty.	
15	7		NBP5	2				
19	6							
20	6		<b>NO.</b>	<b>Qty.</b>		<b>NO.</b>	<b>Qty.</b>	
26	2		B3	2		F2	8	
27L	2		3B,	4		F3	32	
W1	2		S2	13		F4	154	
W2	4		S5	2		F8	2	
W3	2		S6L	2		F9	2	
W4	2		S6R	2				
B7	2		S8	2		F04	161	M5 
8	2		S9	2		F03	81	M6 
25	2							
17	1							

# Summary of polycarbonate panel

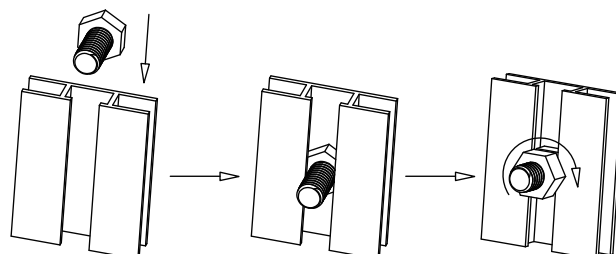


Towards the white film side to the sun as it is UV-protected.

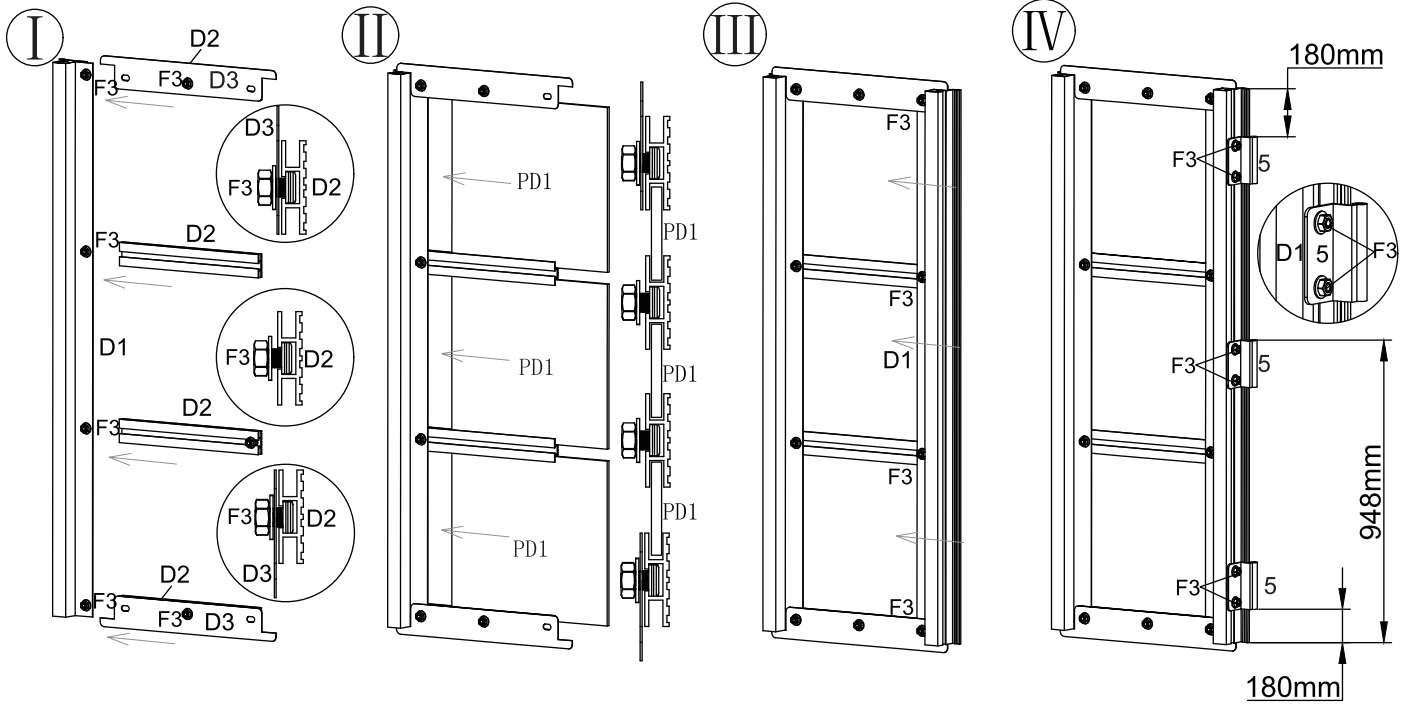
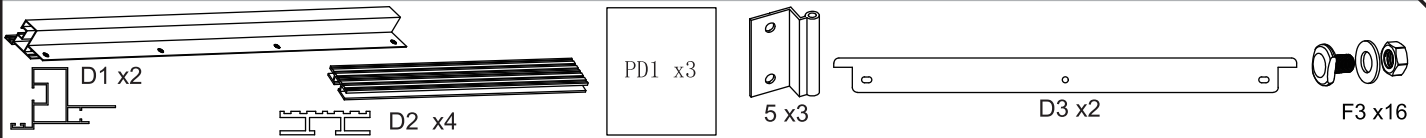


## "hexagonal screw" installation

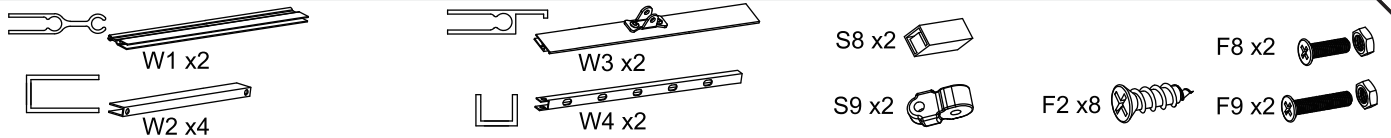
Place the "hexagonal screw" into the groove, turn clockwise until it stops turning.  
 Adjust the "hexagonal screw" by hand and twist so threads fix it in place.  
 Place other parts on "hexagonal screw" and assemble nut.



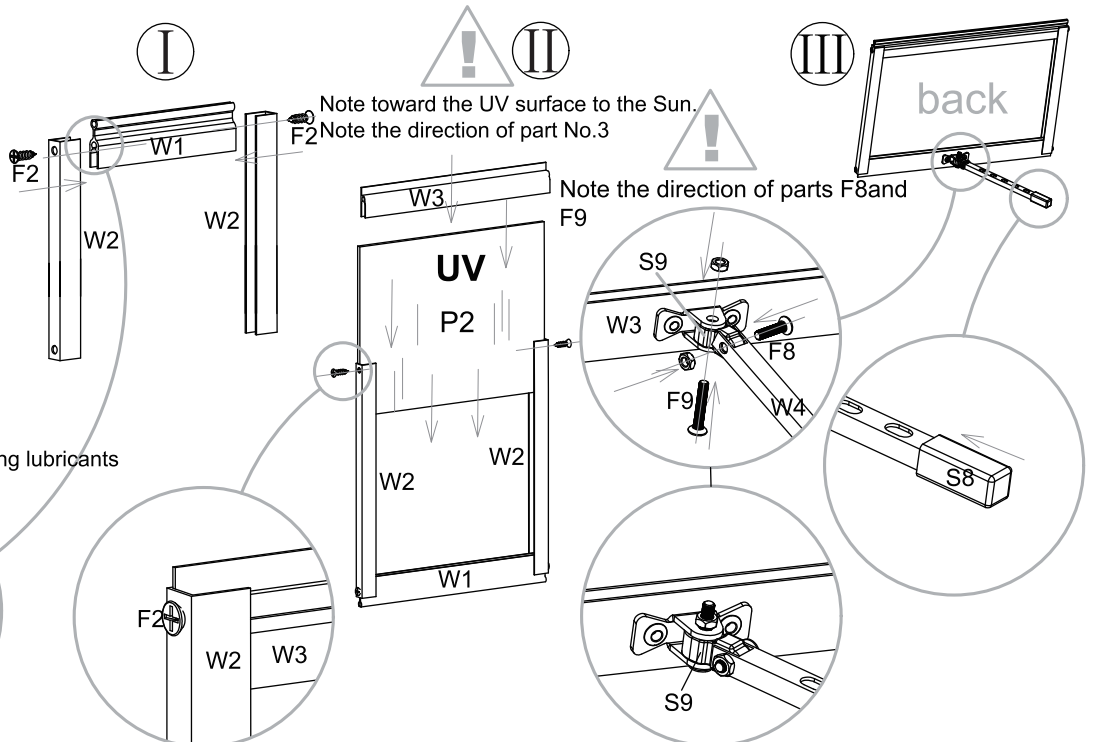
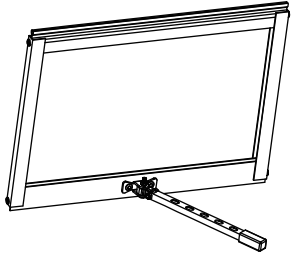
DOOR

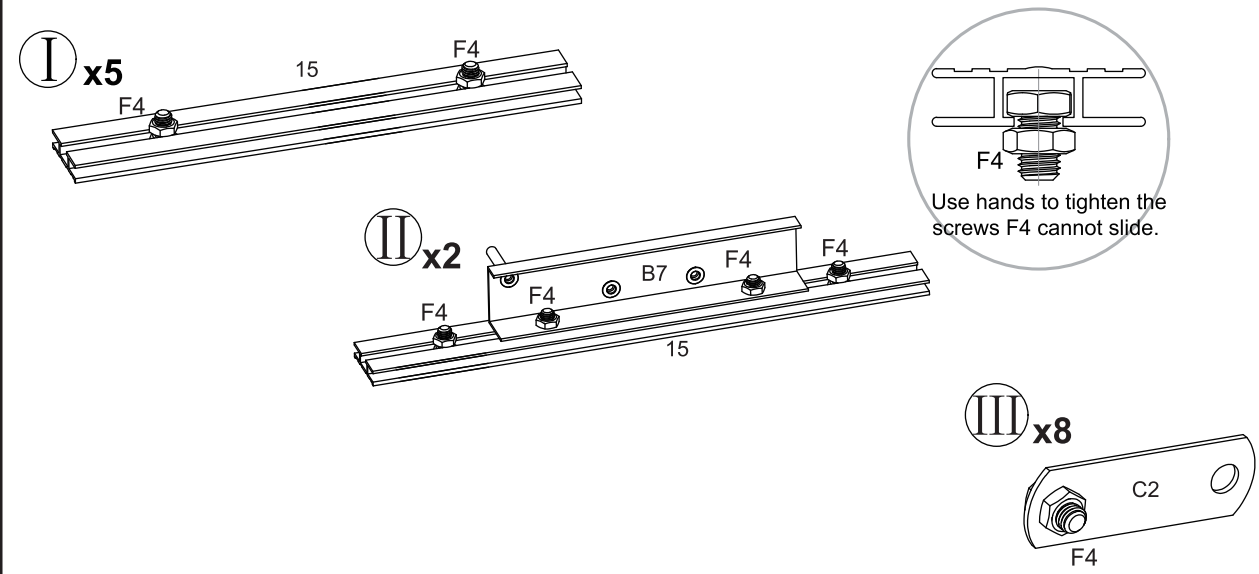
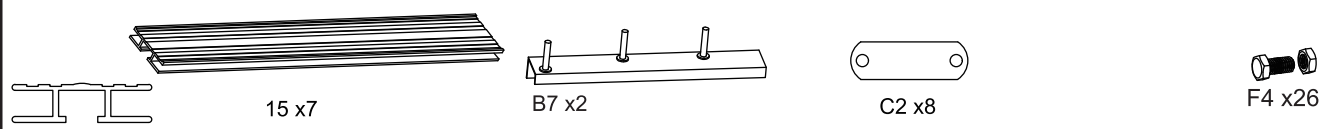
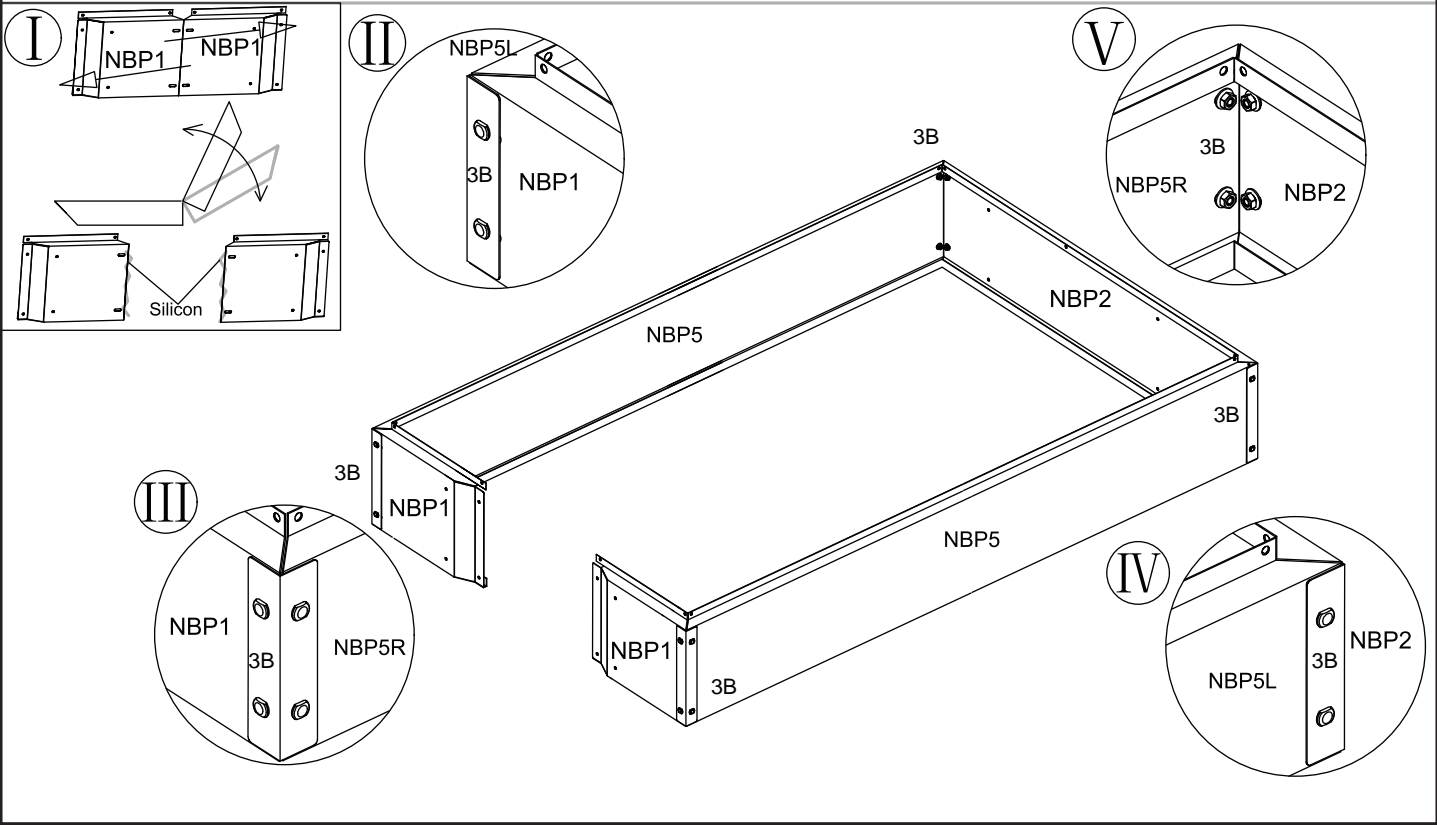
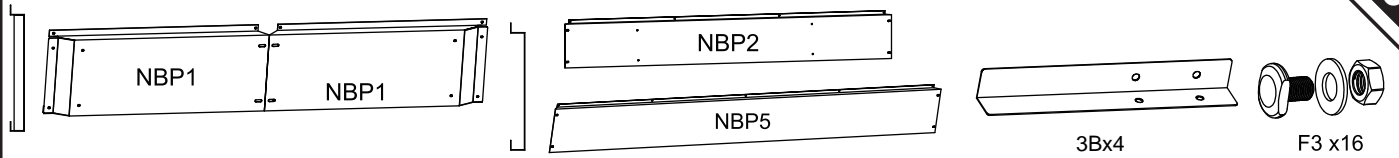


WINDOW



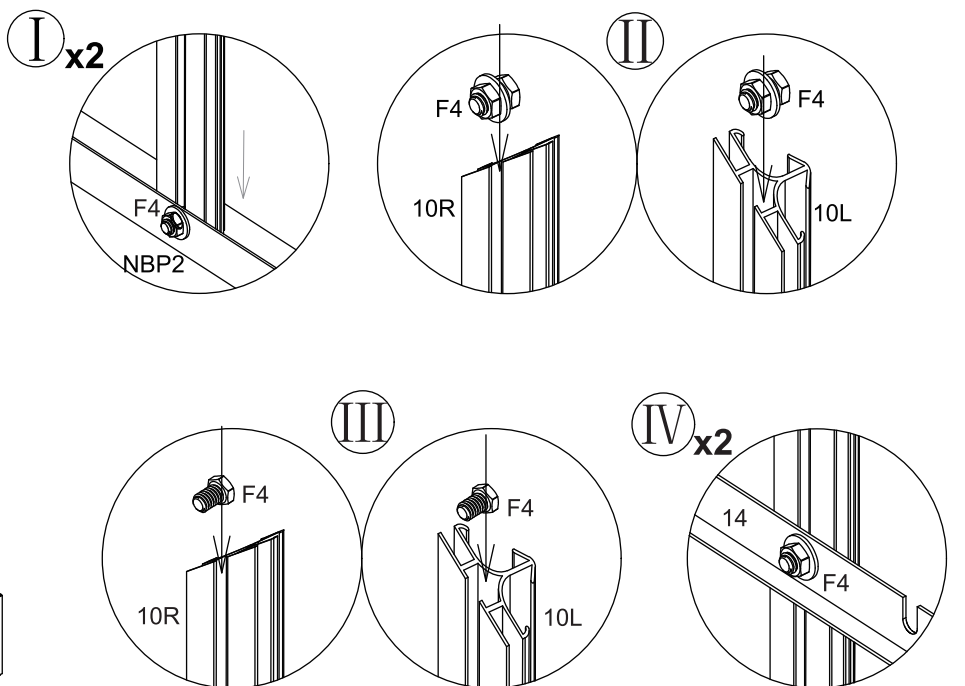
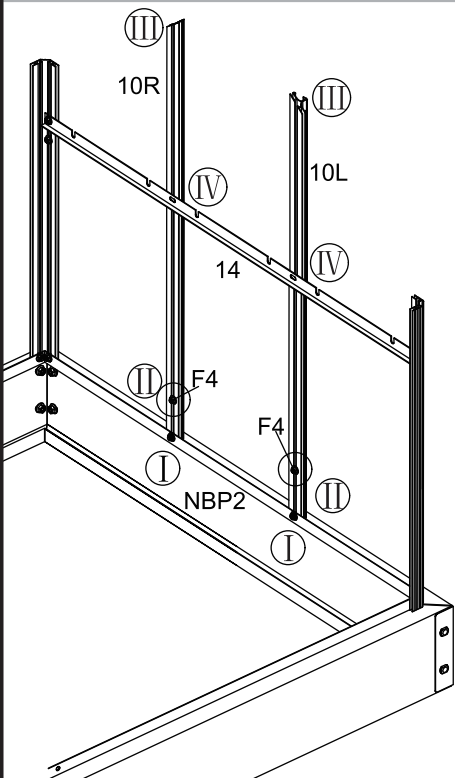
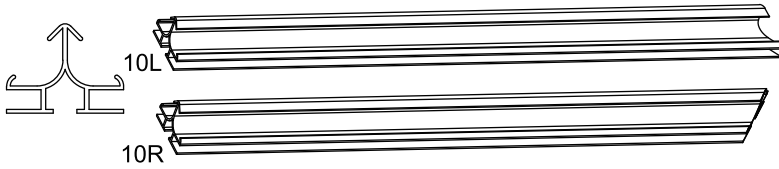
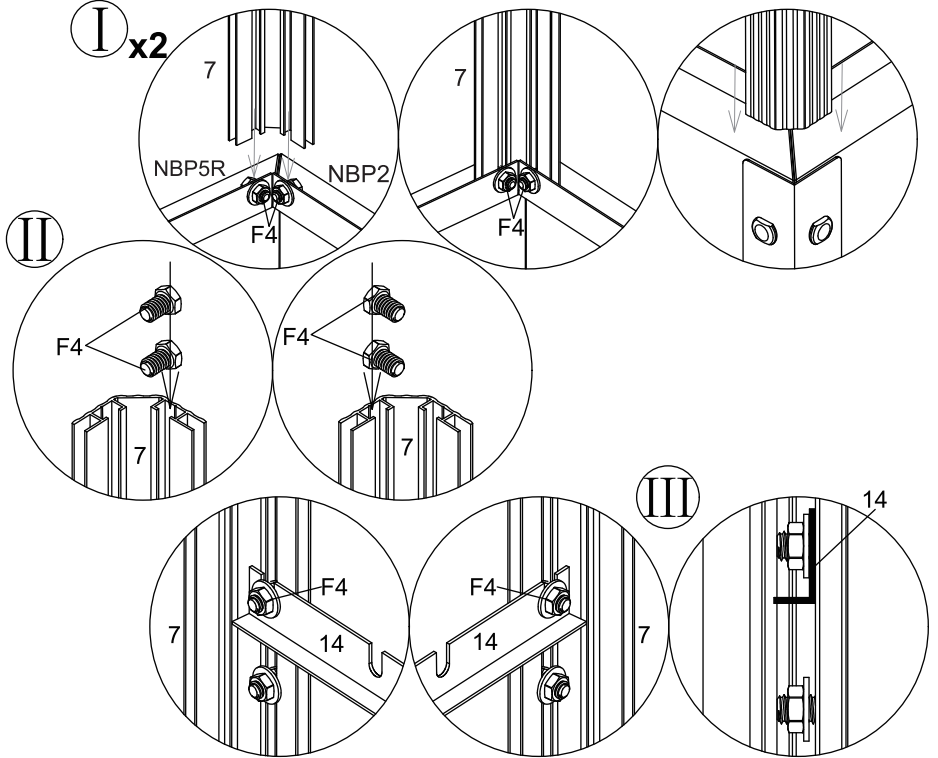
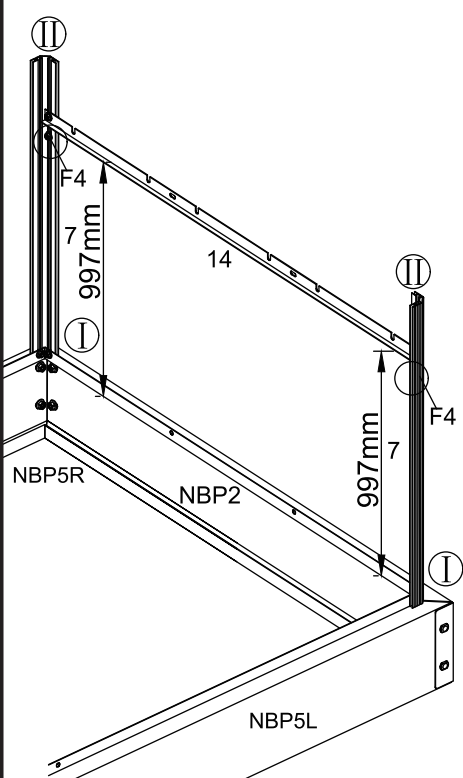
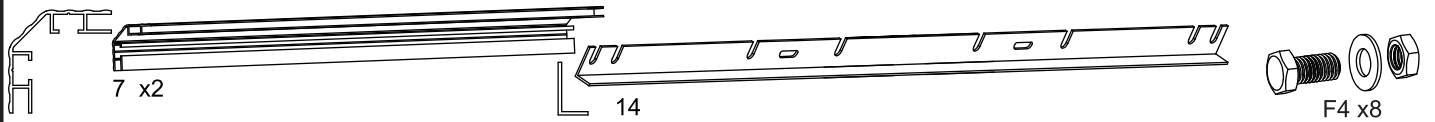
WINDOWS x2

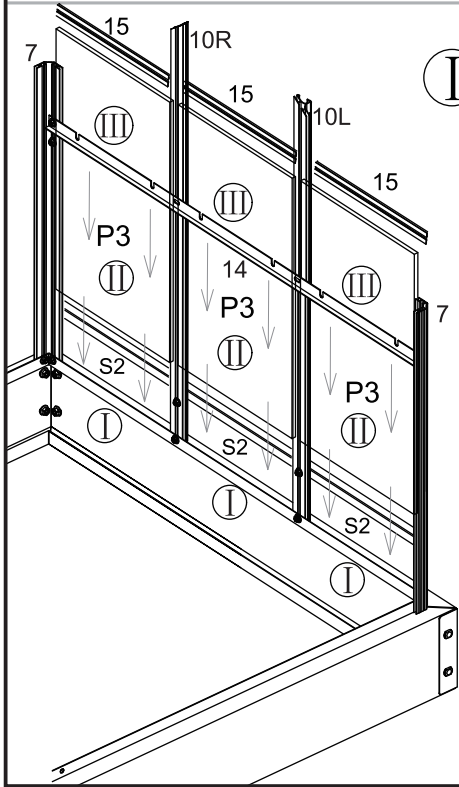
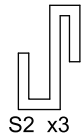




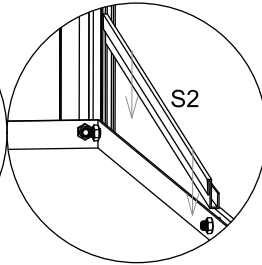
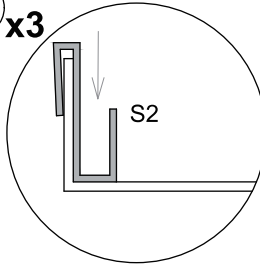


BACK WALL

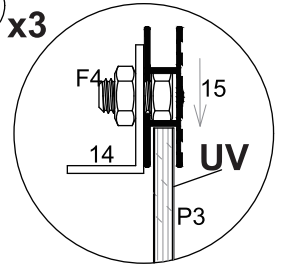




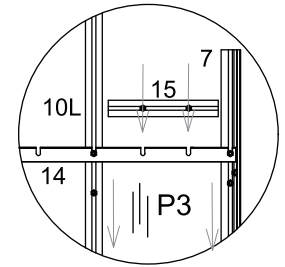
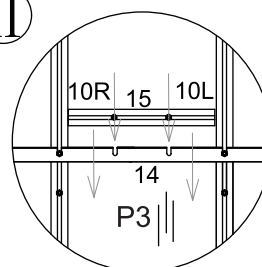
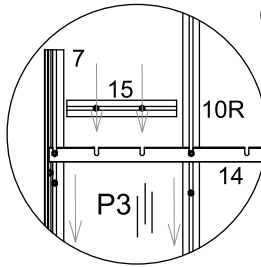
I x3



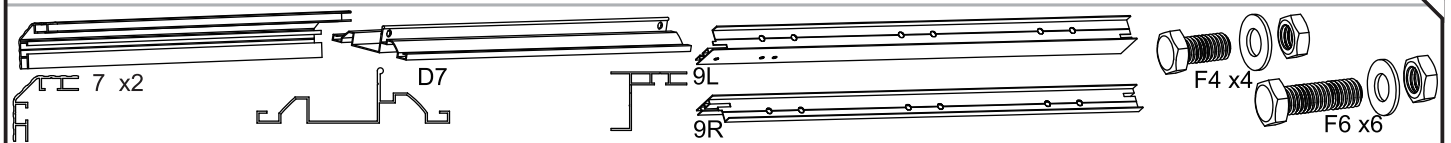
III x3



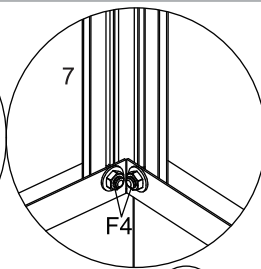
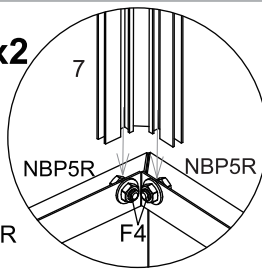
II



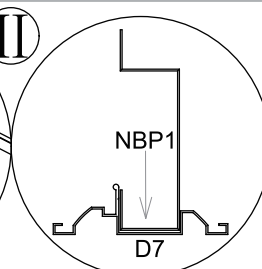
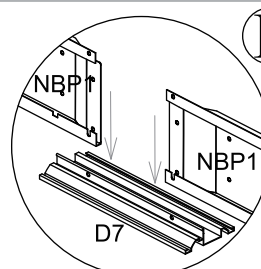
FRONT WALL



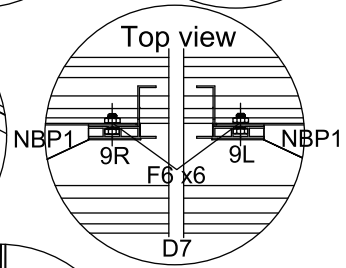
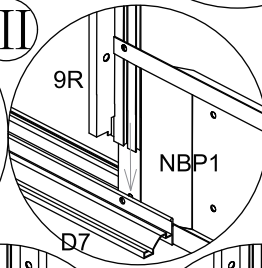
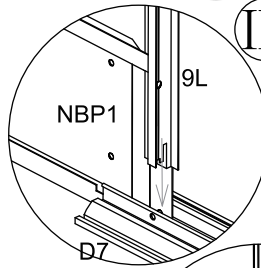
I x2



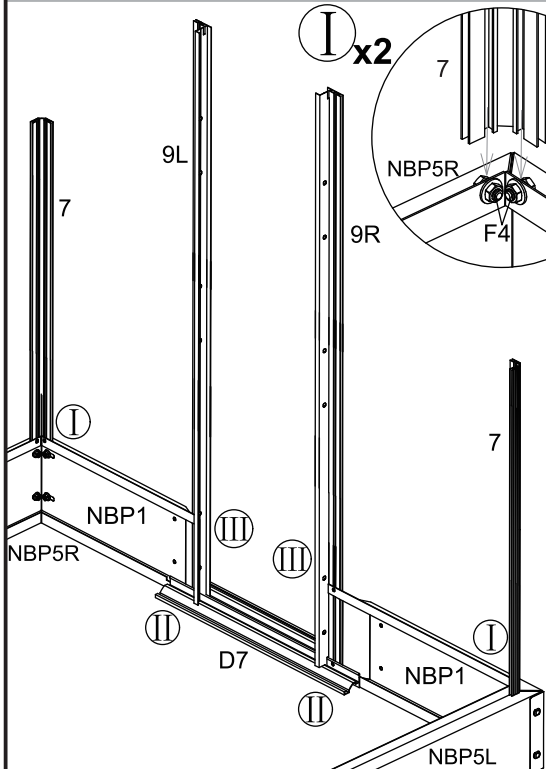
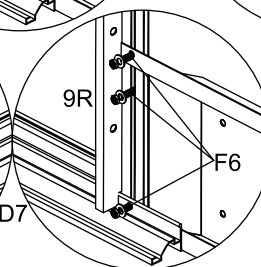
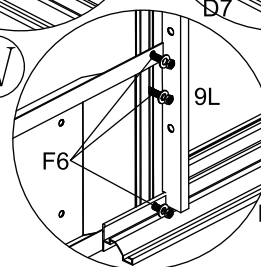
II

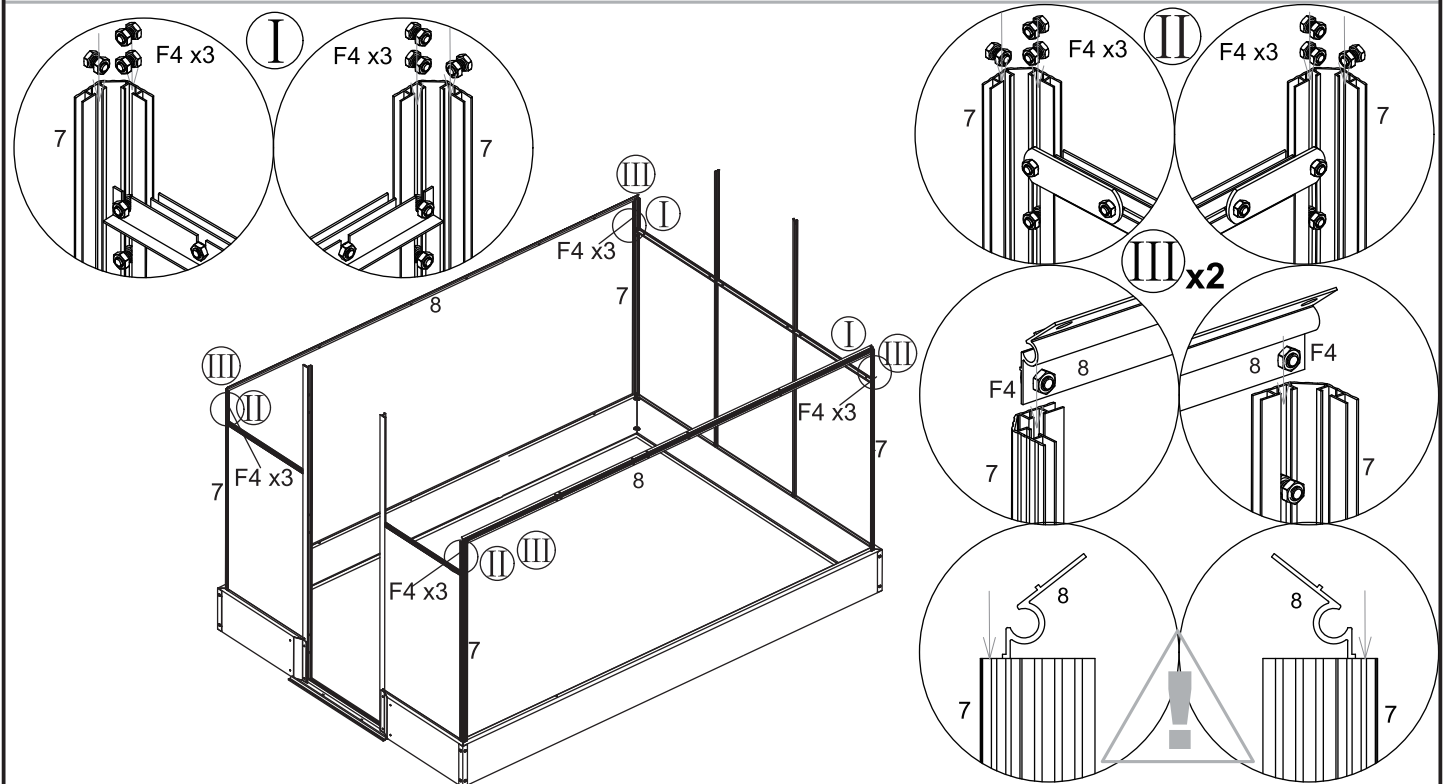
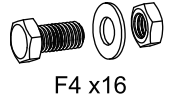
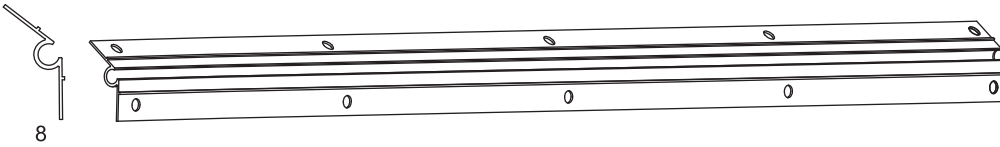
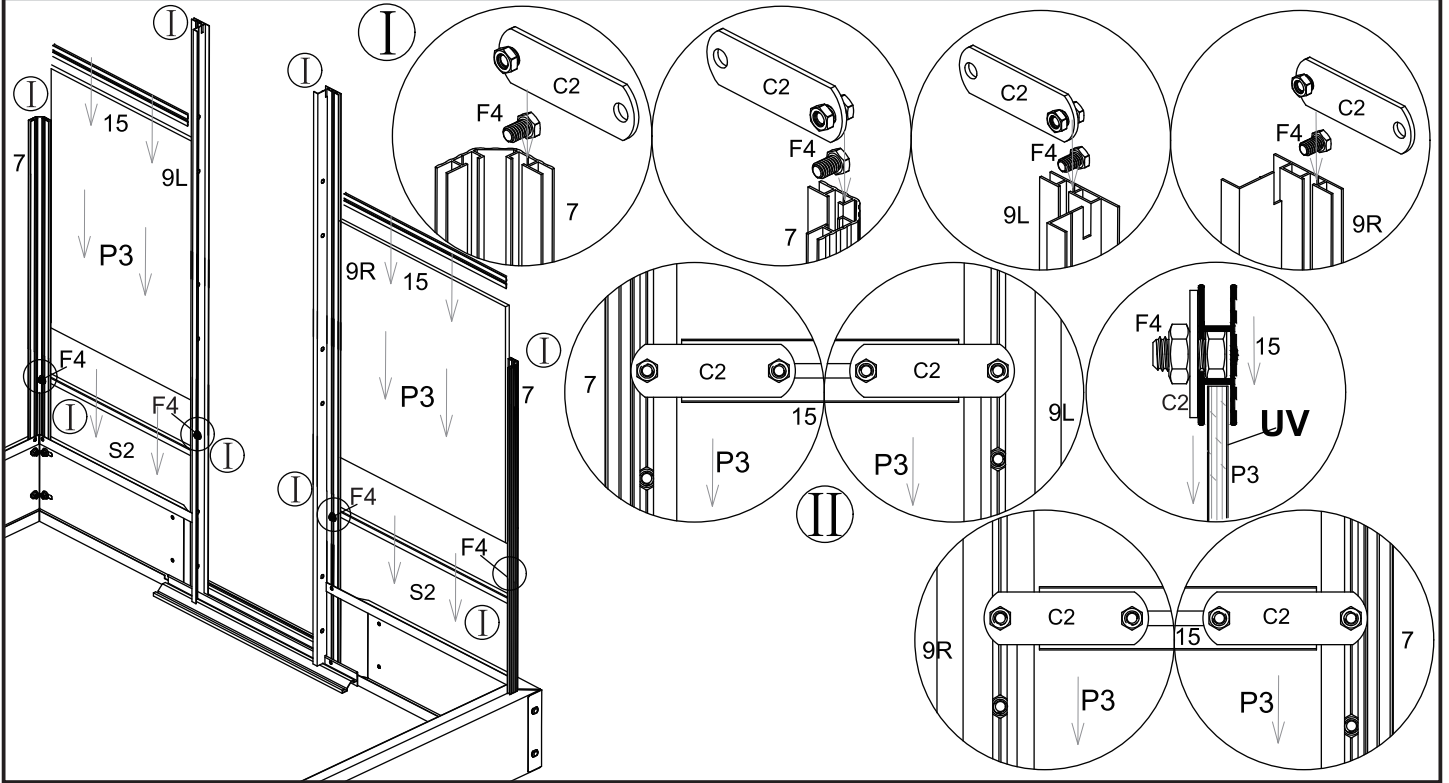
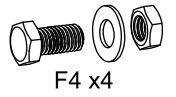
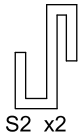


III



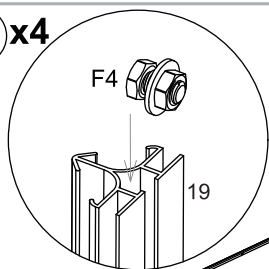
IV



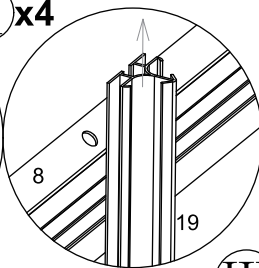
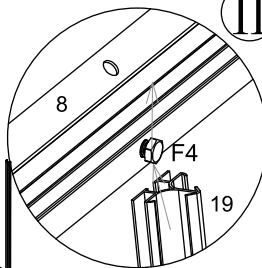




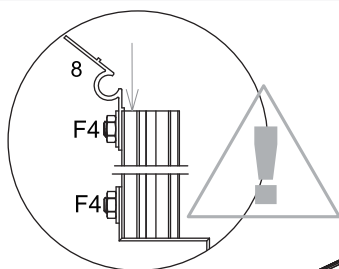
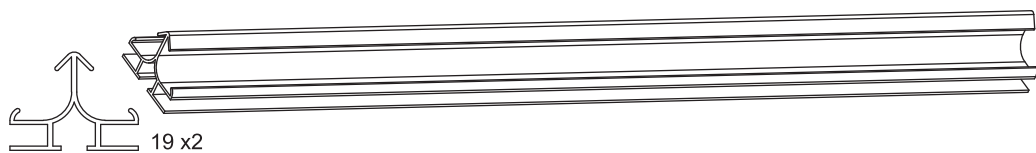
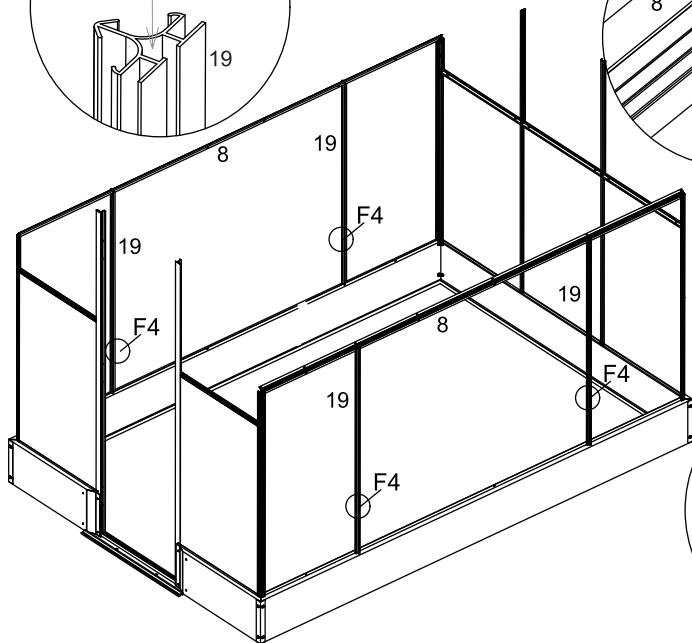
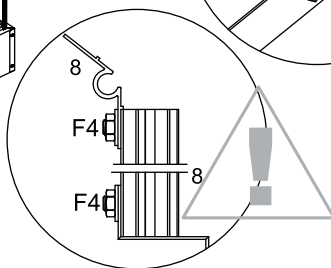
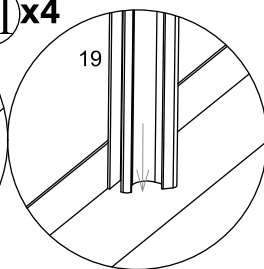
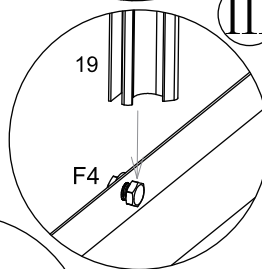
I x4



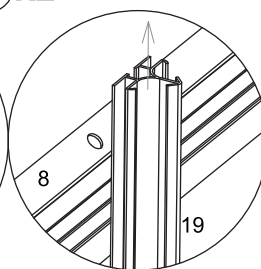
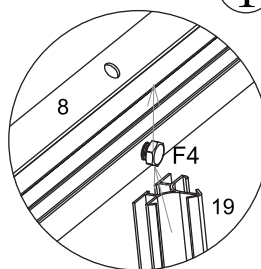
II x4



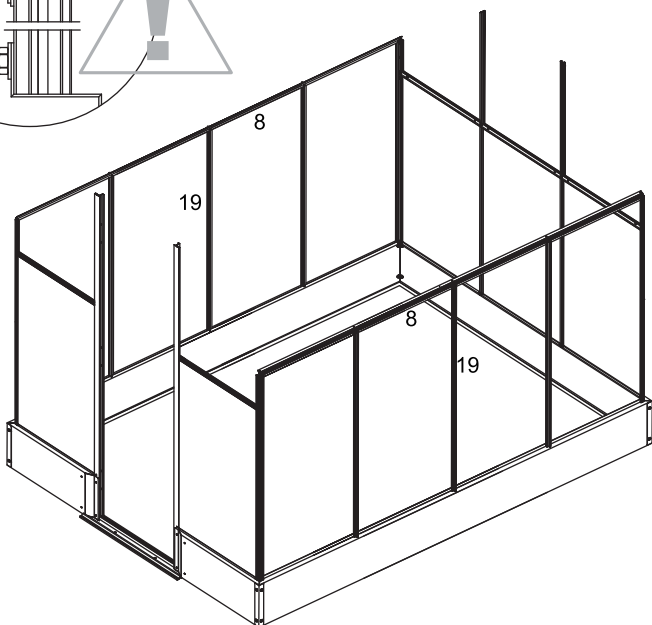
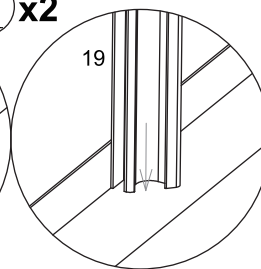
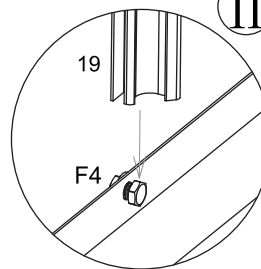
III x4

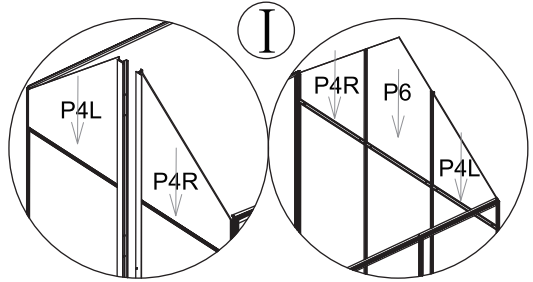
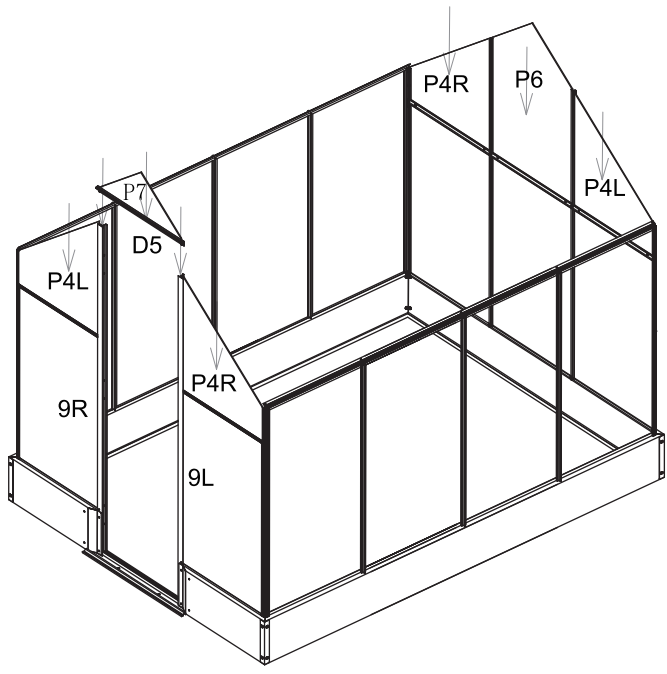
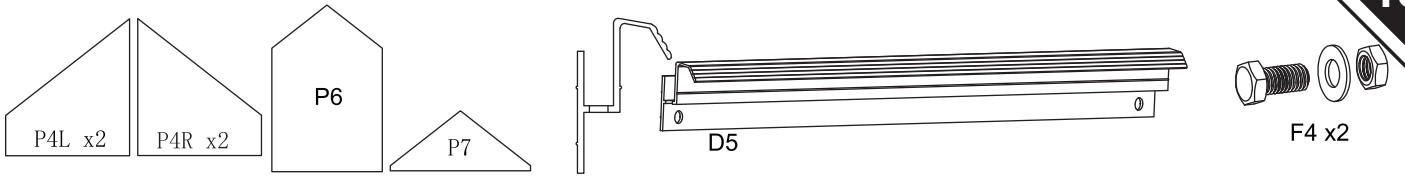


I x2

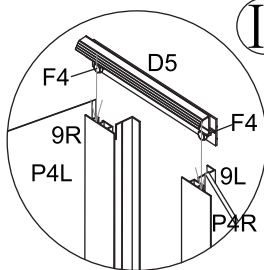
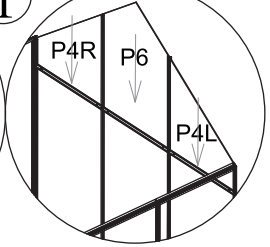


II x2

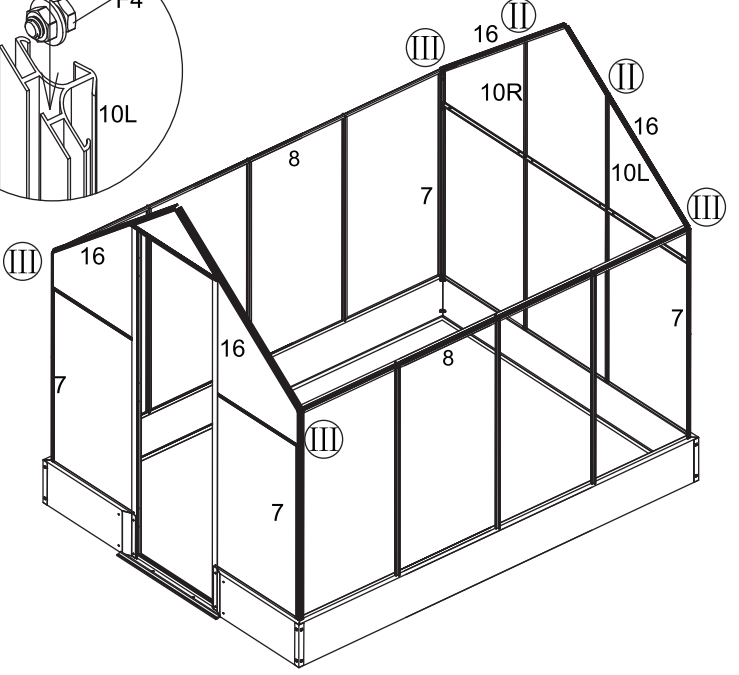
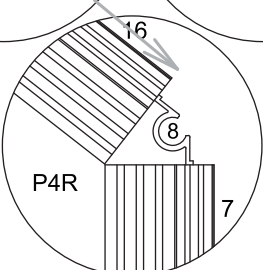
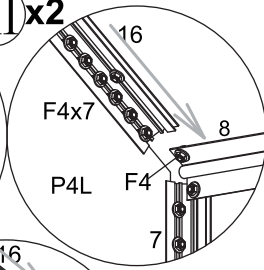
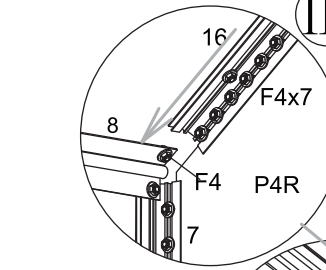
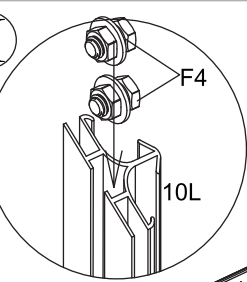
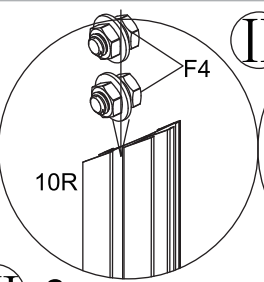
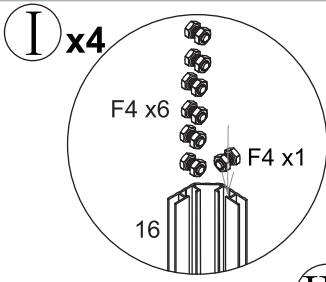
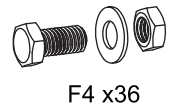
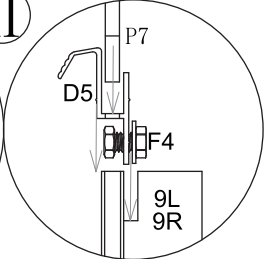


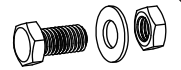
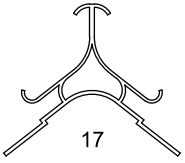


I

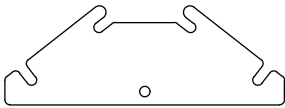
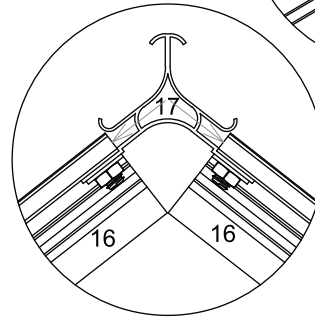
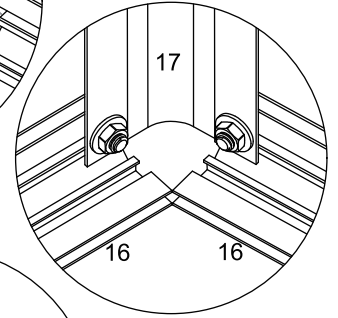
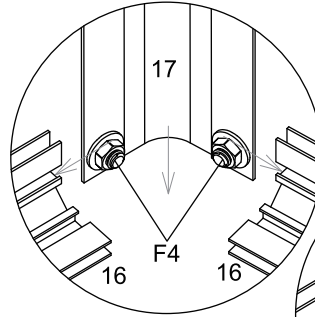
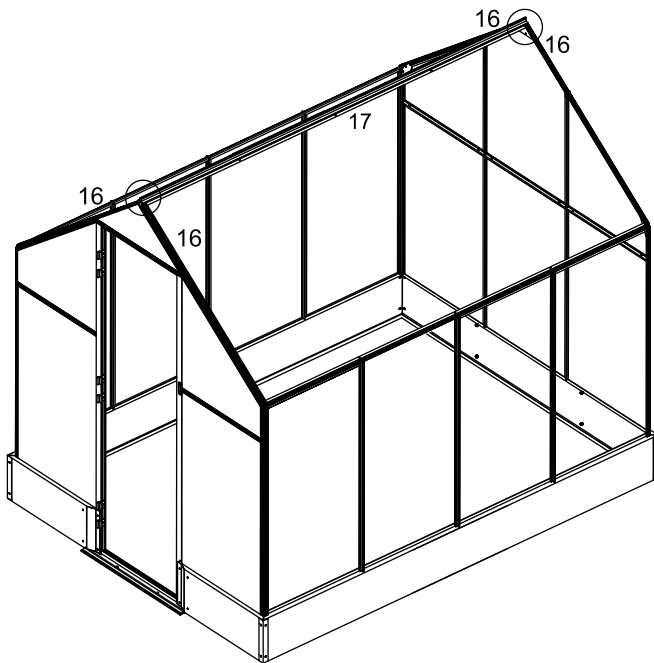


II

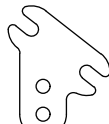




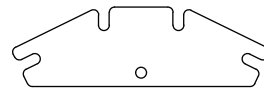
F4 x4



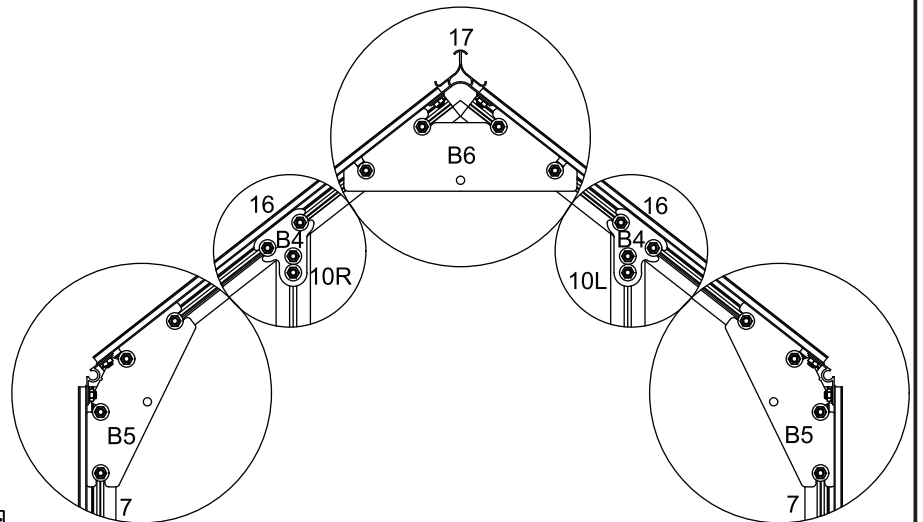
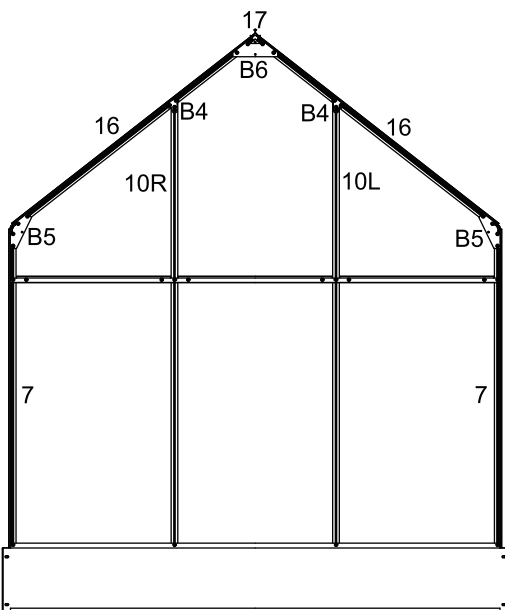
B6

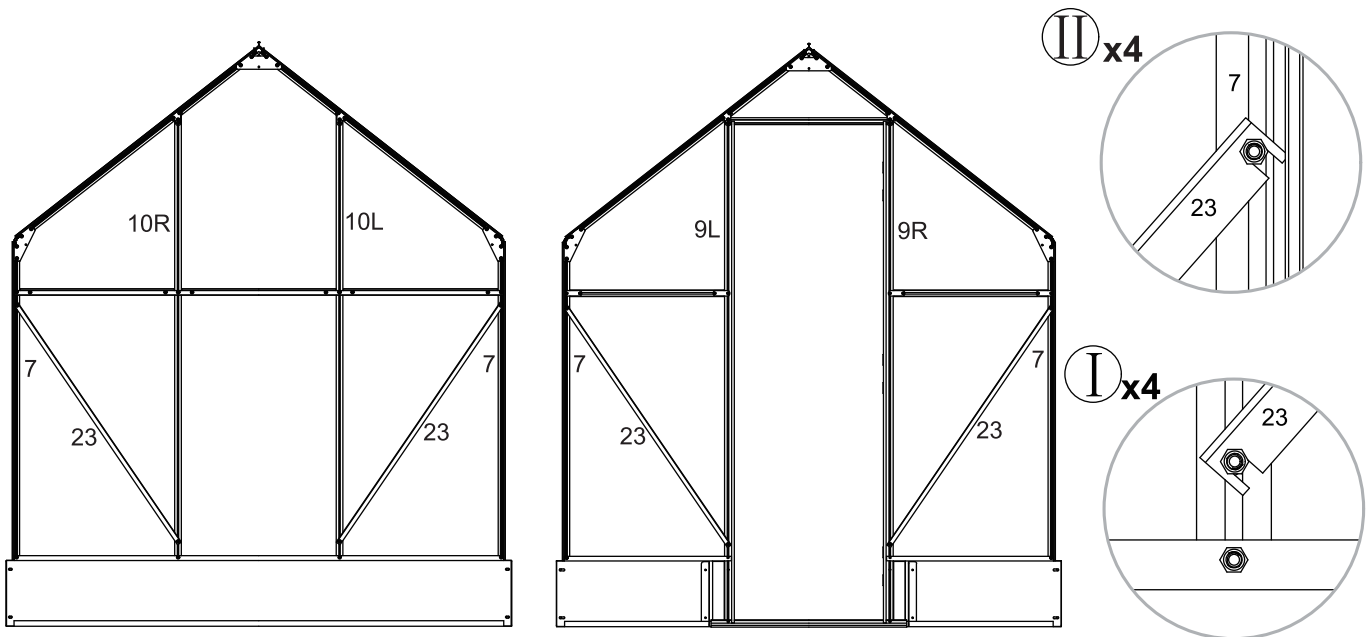
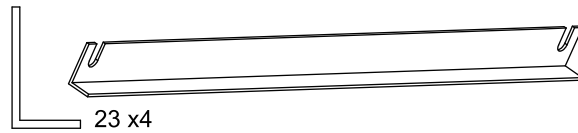
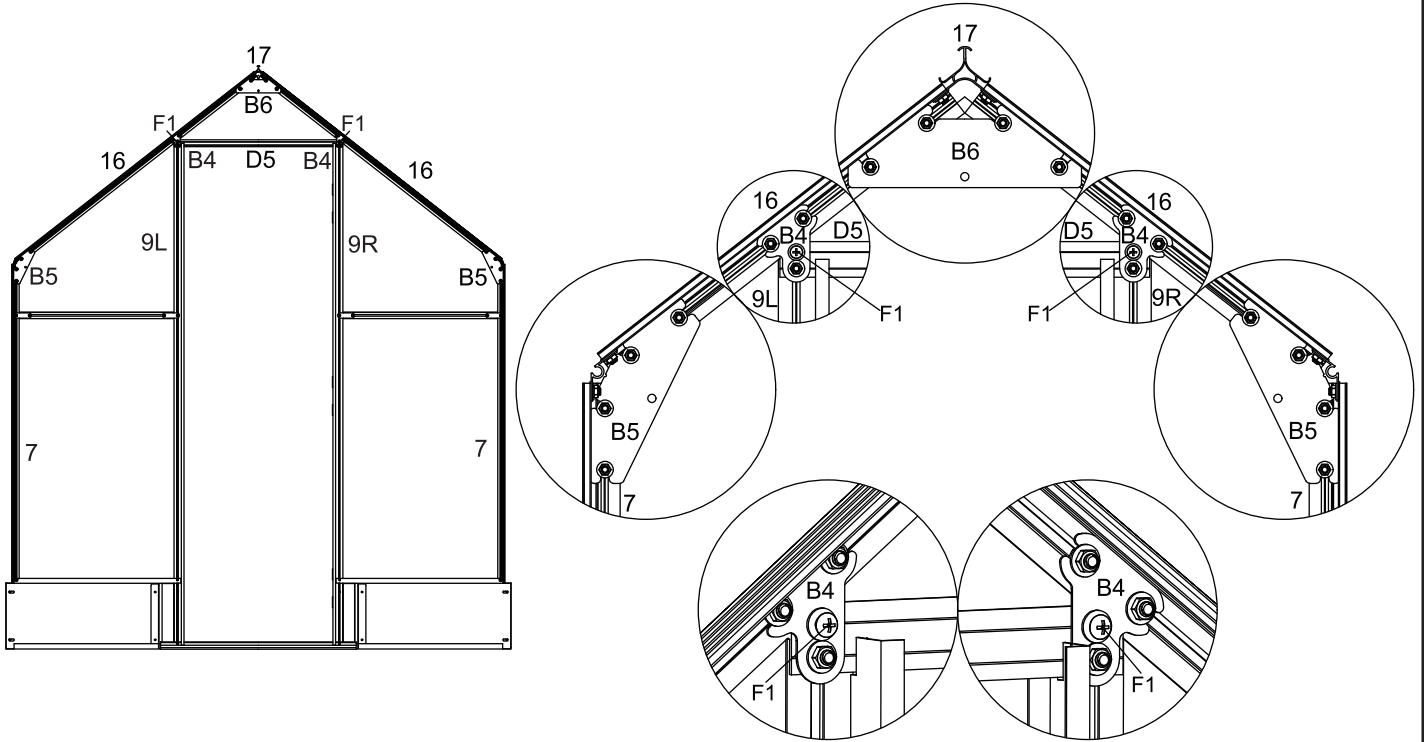
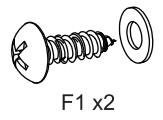
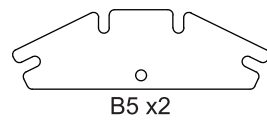
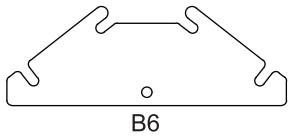


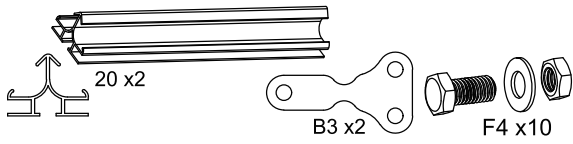
B4 x2



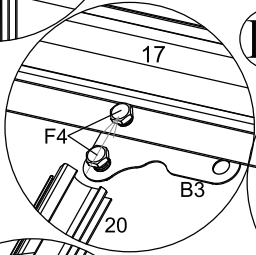
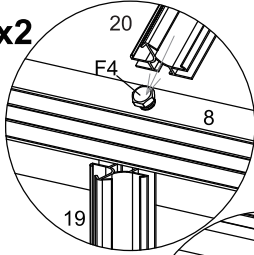
B5 x2



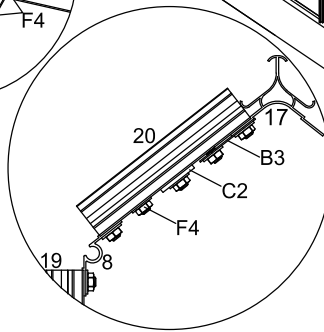
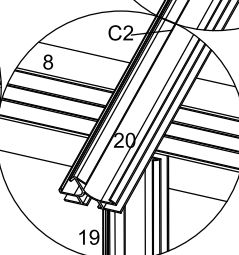
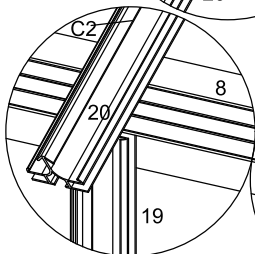
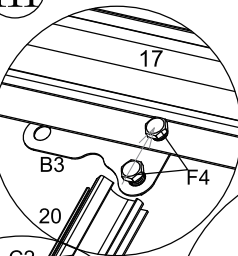




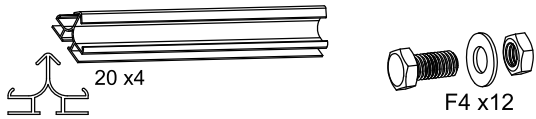
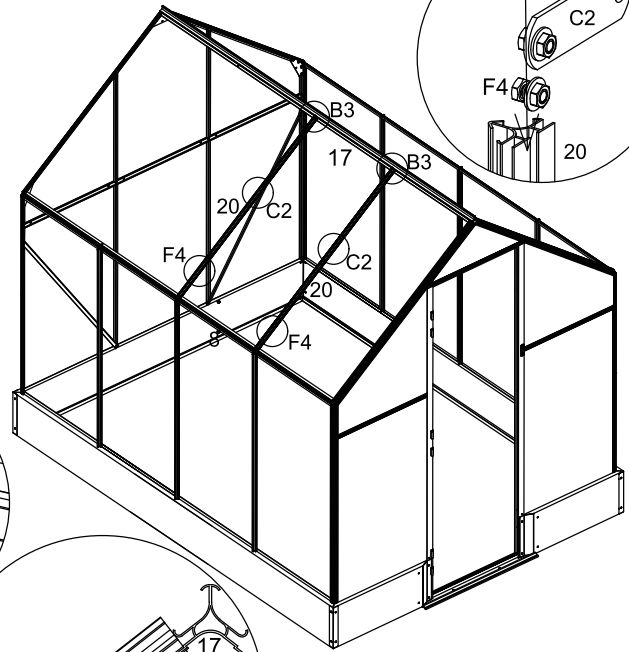
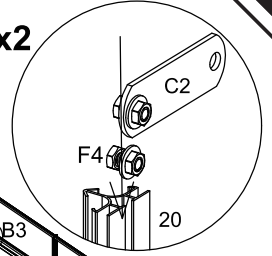
II x2



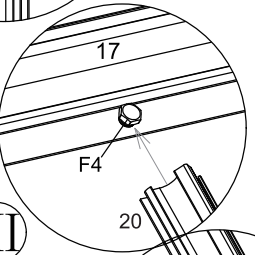
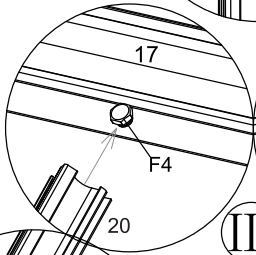
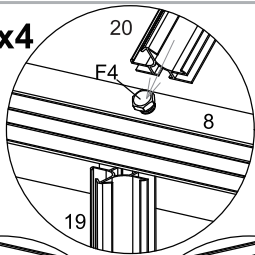
III



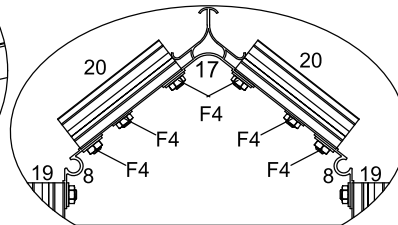
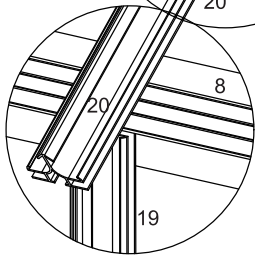
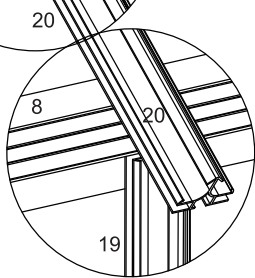
I x2



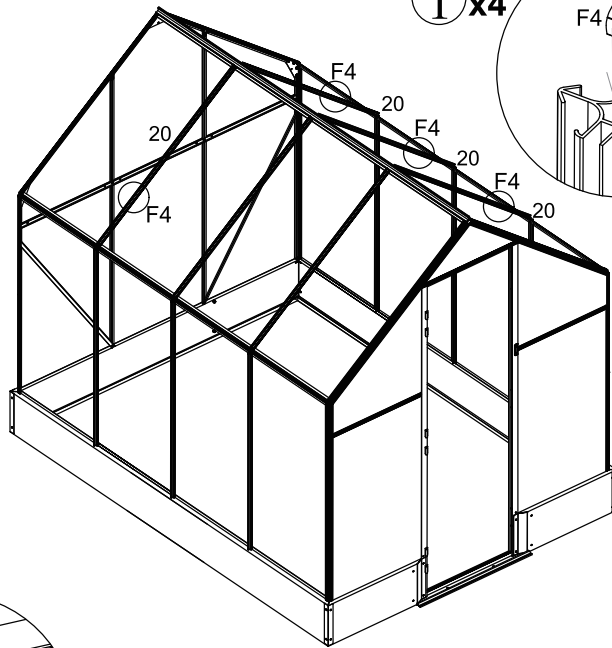
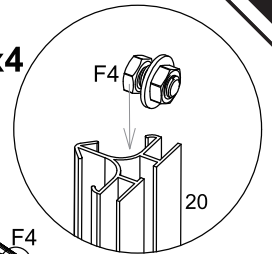
II x4



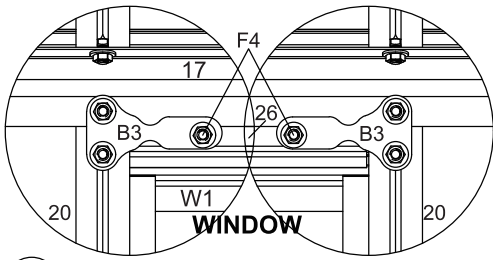
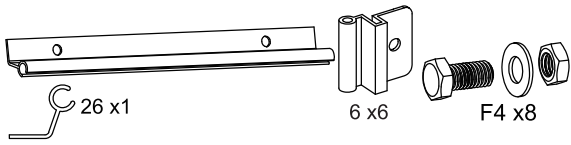
III



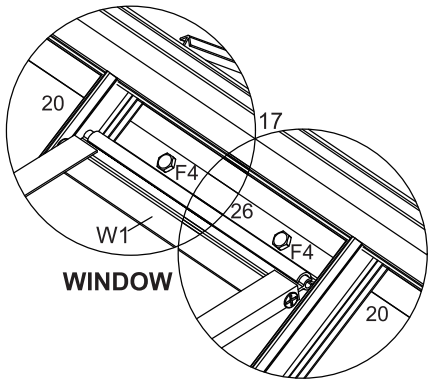
I x4



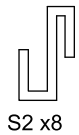
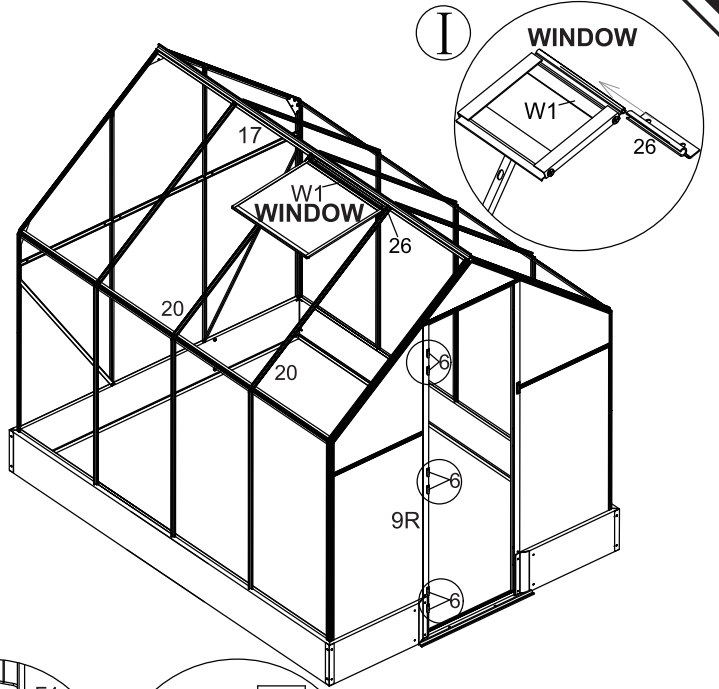
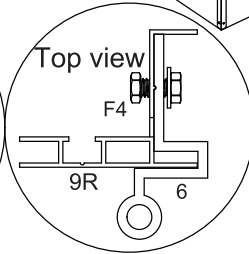
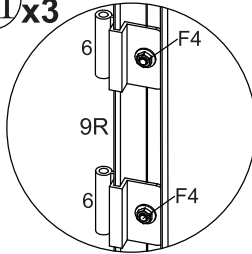




II

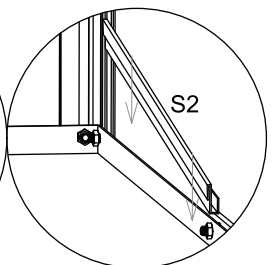
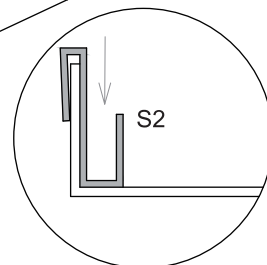
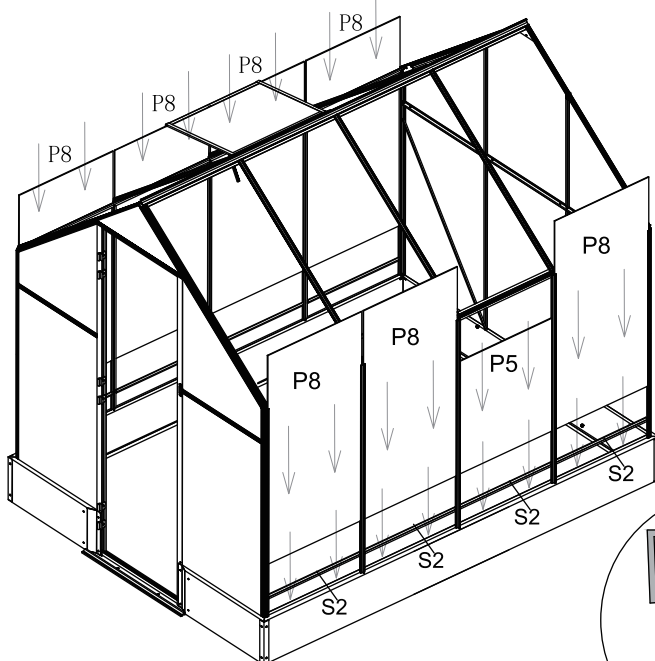


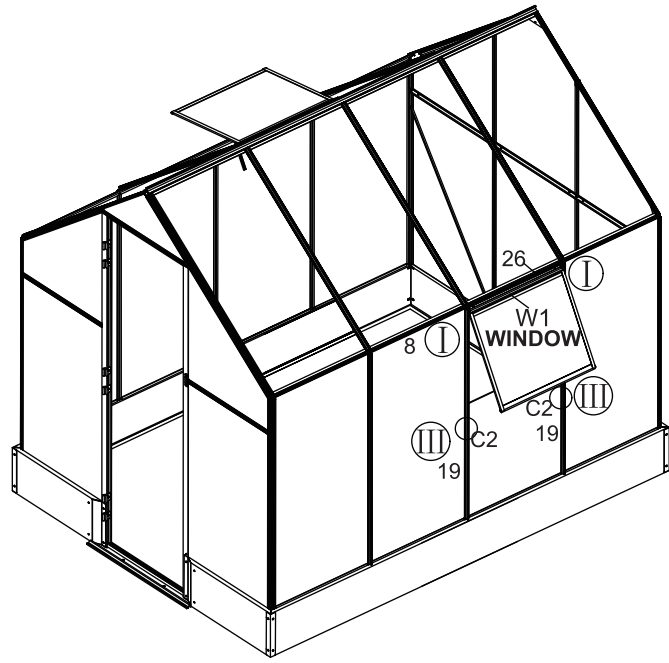
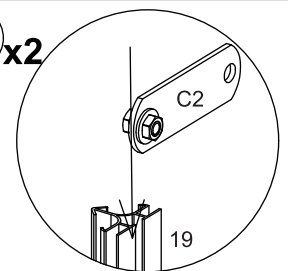
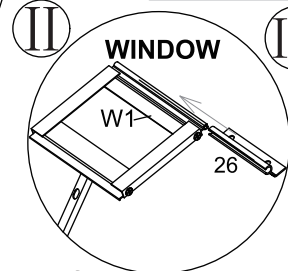
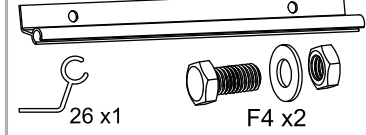
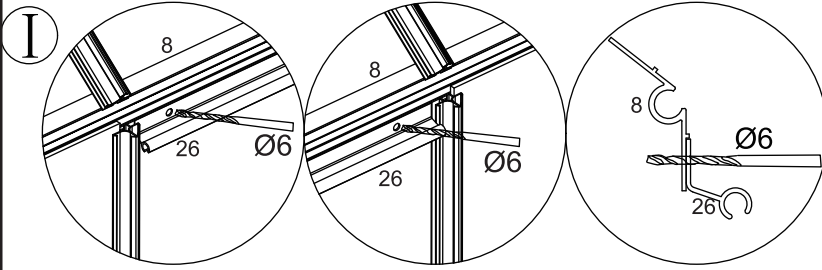
III x3



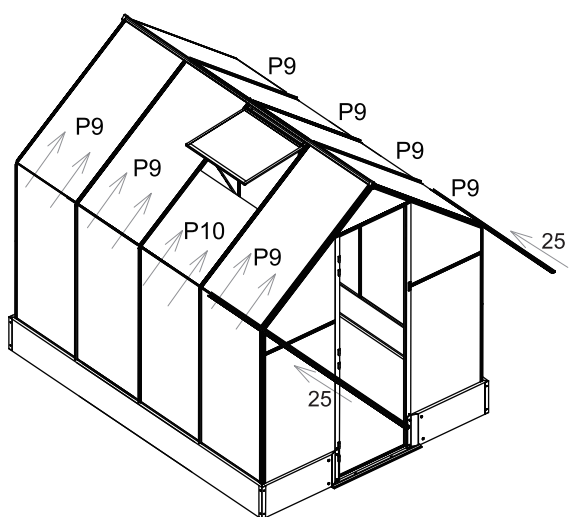
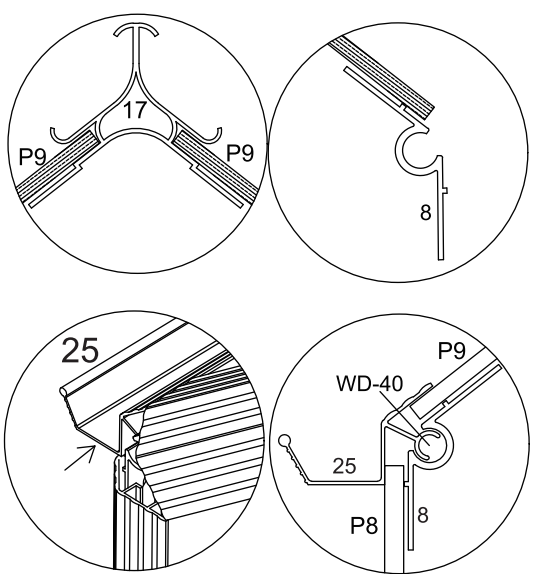
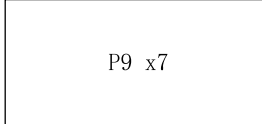
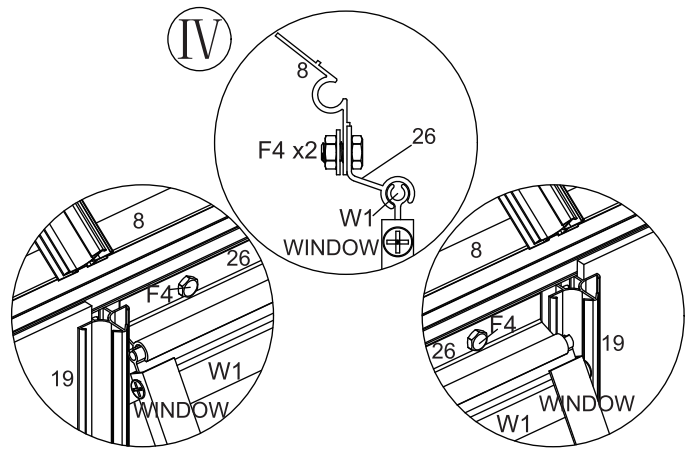
P8 x7

P5



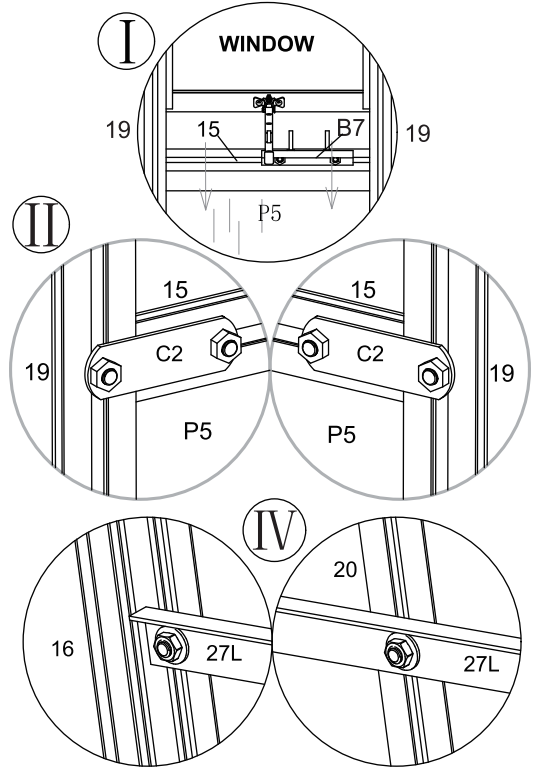
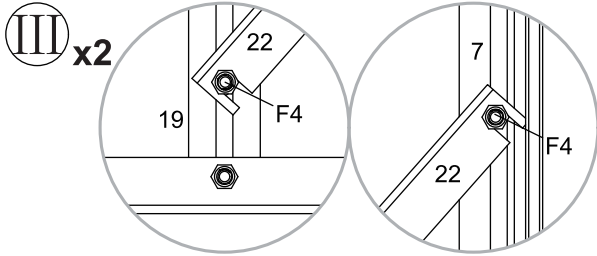
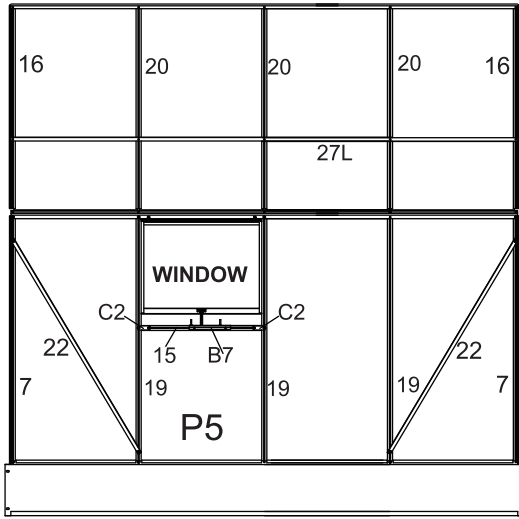
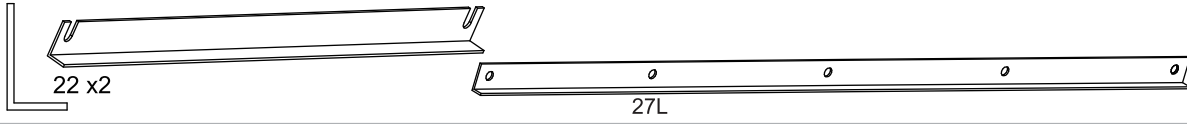


Steps:  
 1. First remove the screws on the upper part of NO.19.  
 2. Install the accessory No C2 inside No 19

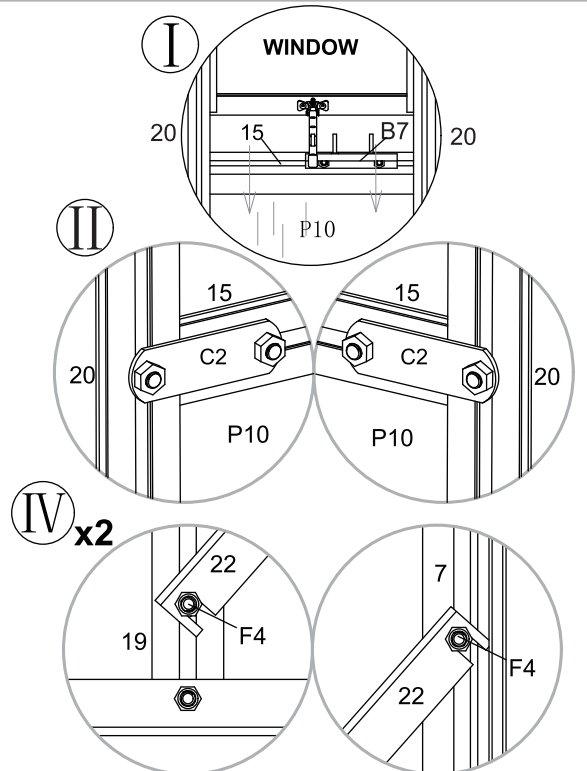
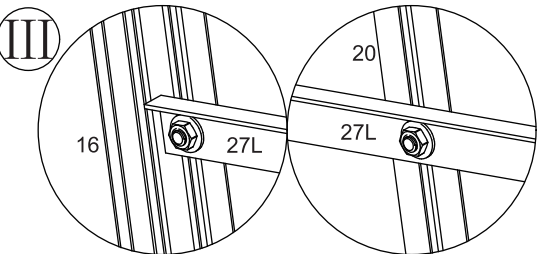
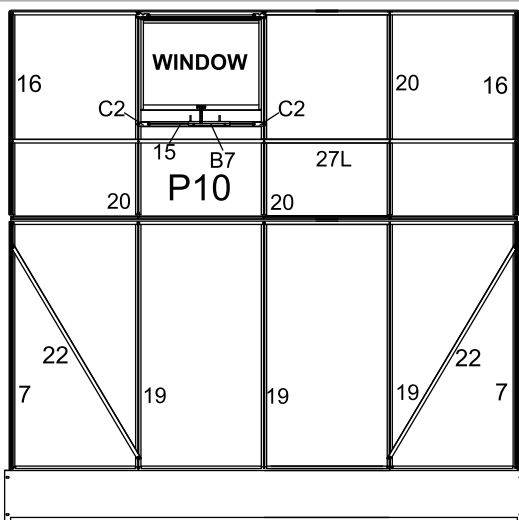
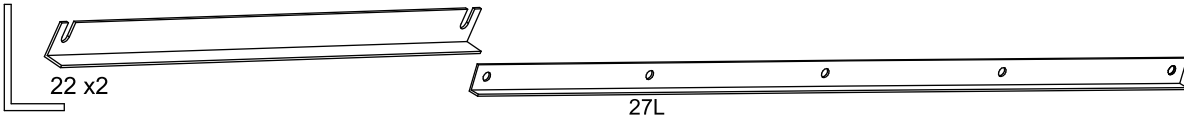


It's easier to install WD-40 with grease when using part No 25 in this step

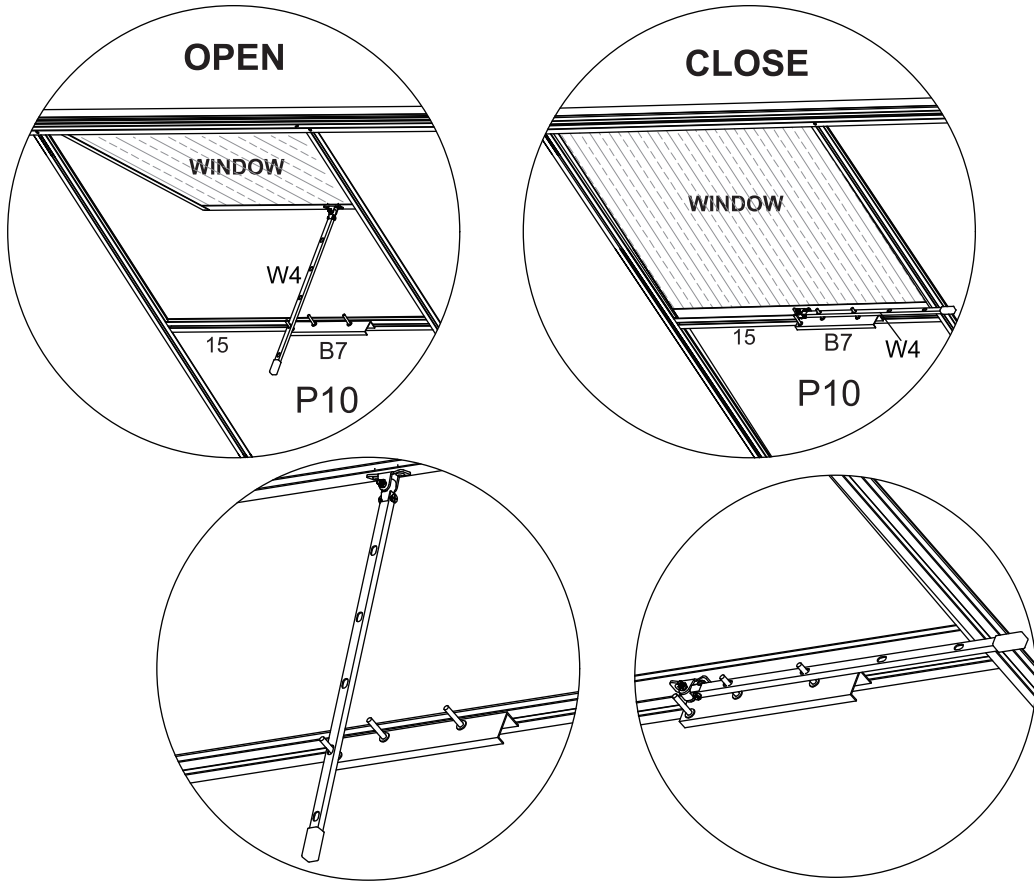
# LEFT WALL AND LEFT TOP



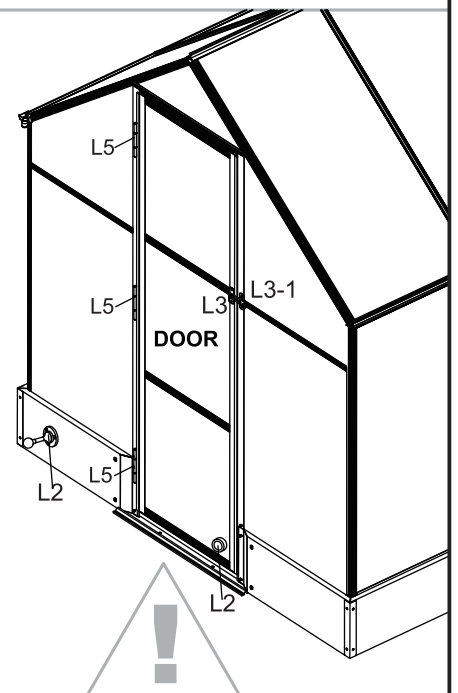
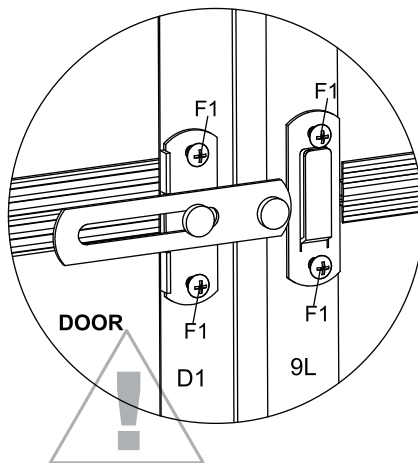
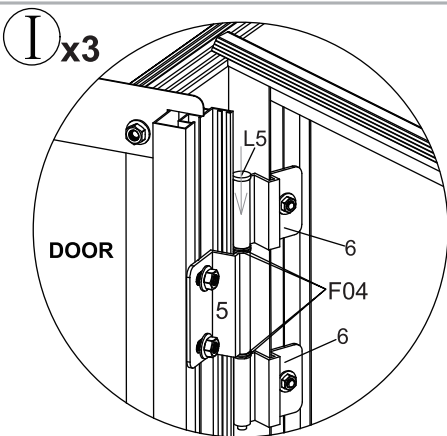
# RIGHT WALL AND LEFT TOP



Note the use of the windows



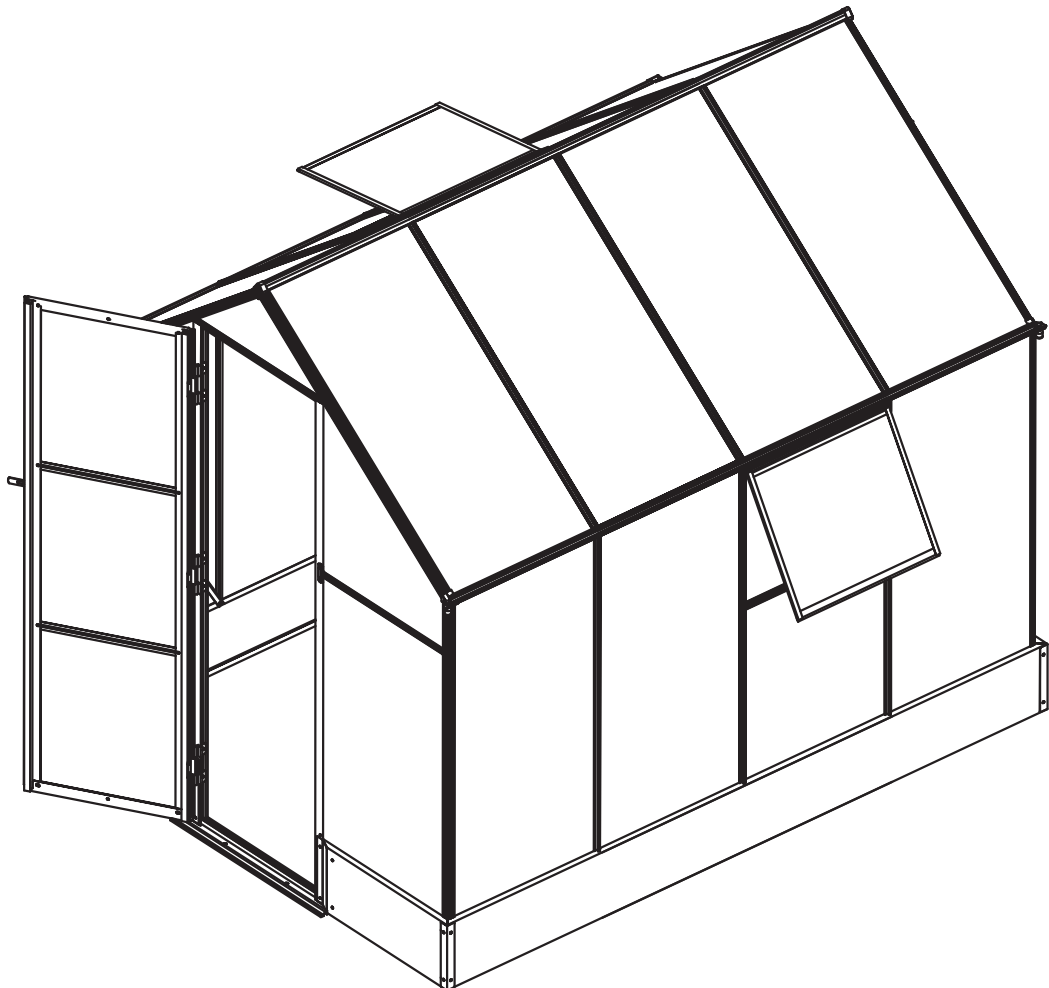
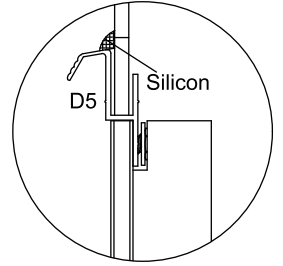
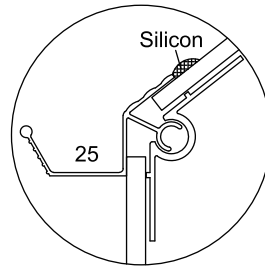
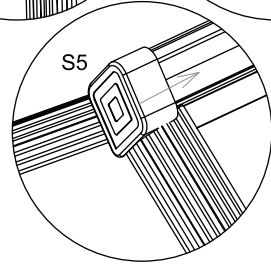
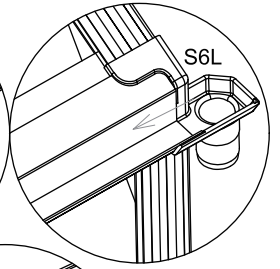
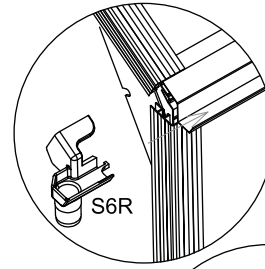
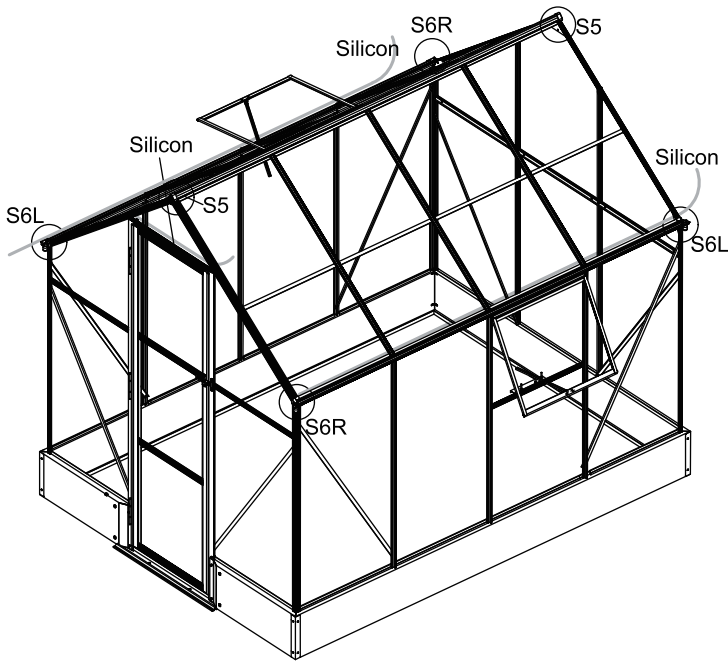
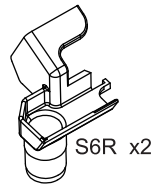
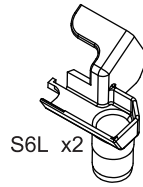
Front wall door installation



Installation steps:

1. Move the greenhouse to prevent the location from moving.
2. The door can open the door normally and close the door.
3. NO.L3 and NO.L3-1 should be in the same horizontal position.
4. Fasten the NO.F1 screw directly with the electric wrench crosshead.

Determine the appropriate location before installing the door touch L2.



US



001-877-644-9366  
customerservice@aosom.com

CA



001-855-537-6088  
customerservice@aosom.ca

UK



0044-800-240-4004  
enquiries@mhstar.co.uk

DE



0049-(0)40-88307530  
service@aosom.de

FR



0033-1-84166106  
contact@aosom.fr

ES



0034-931294512  
atencioncliente@aosom.es

IT



0039-0249471447  
clienti@aosom.it