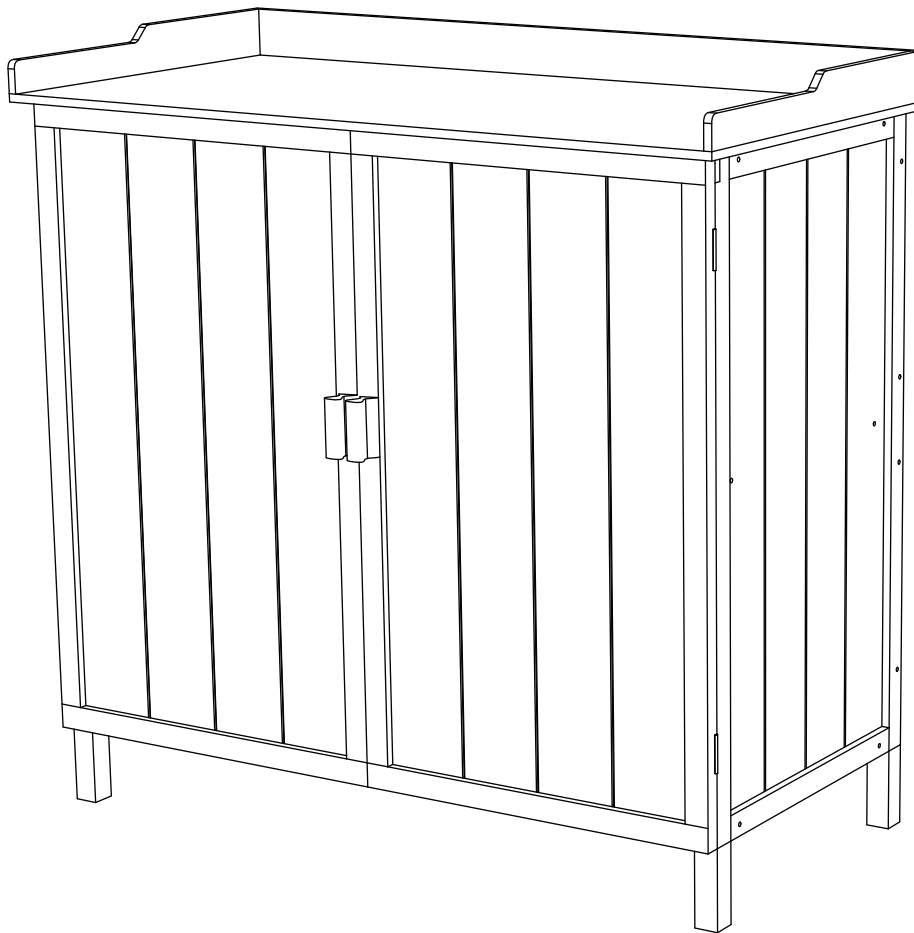




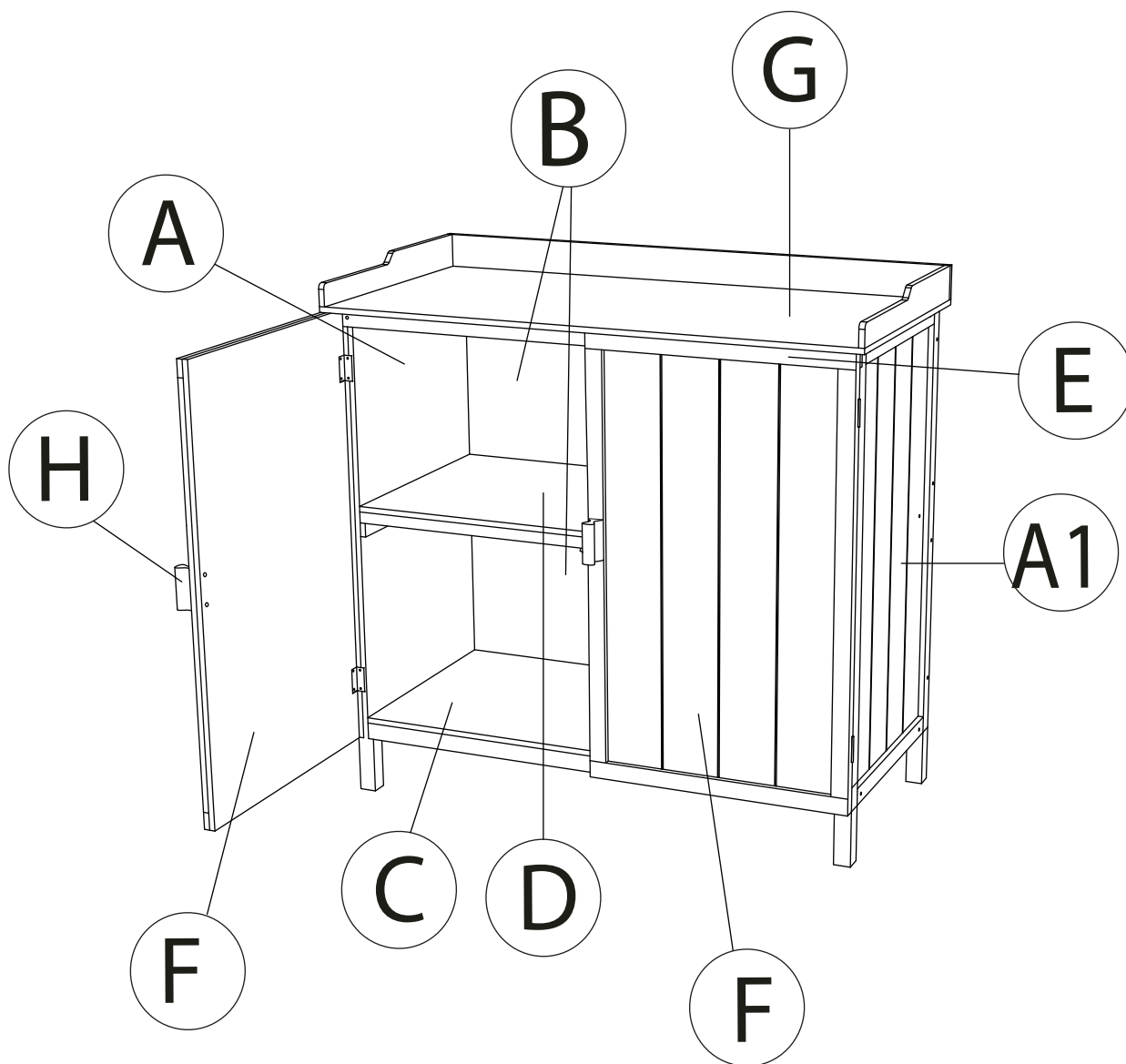
INbyb011V01_GL

84B-636

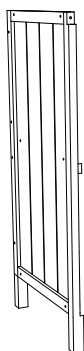


IMPORTANT, RETAIN FOR FUTURE REFERENCE: READ CAREFULLY

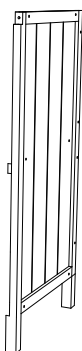
ASSEMBLY & INSTRUCTION MANUAL



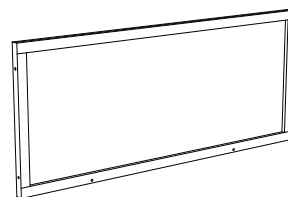
PARTS



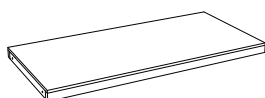
A x1



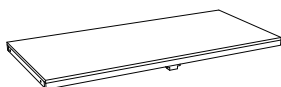
A1 x1



B x2



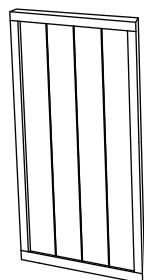
C x1



D x1



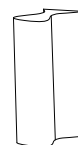
E x1



F x2

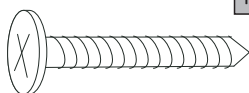


G x1

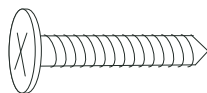


H x2

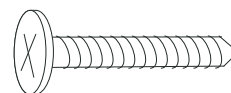
HARDWARE



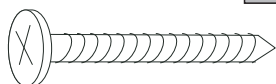
1 x8
M4*35
+1(spare)



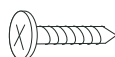
2 x4
M4*25



3 x10
M4*30
+1(spare)



4 x8
M4*40
+1(spare)

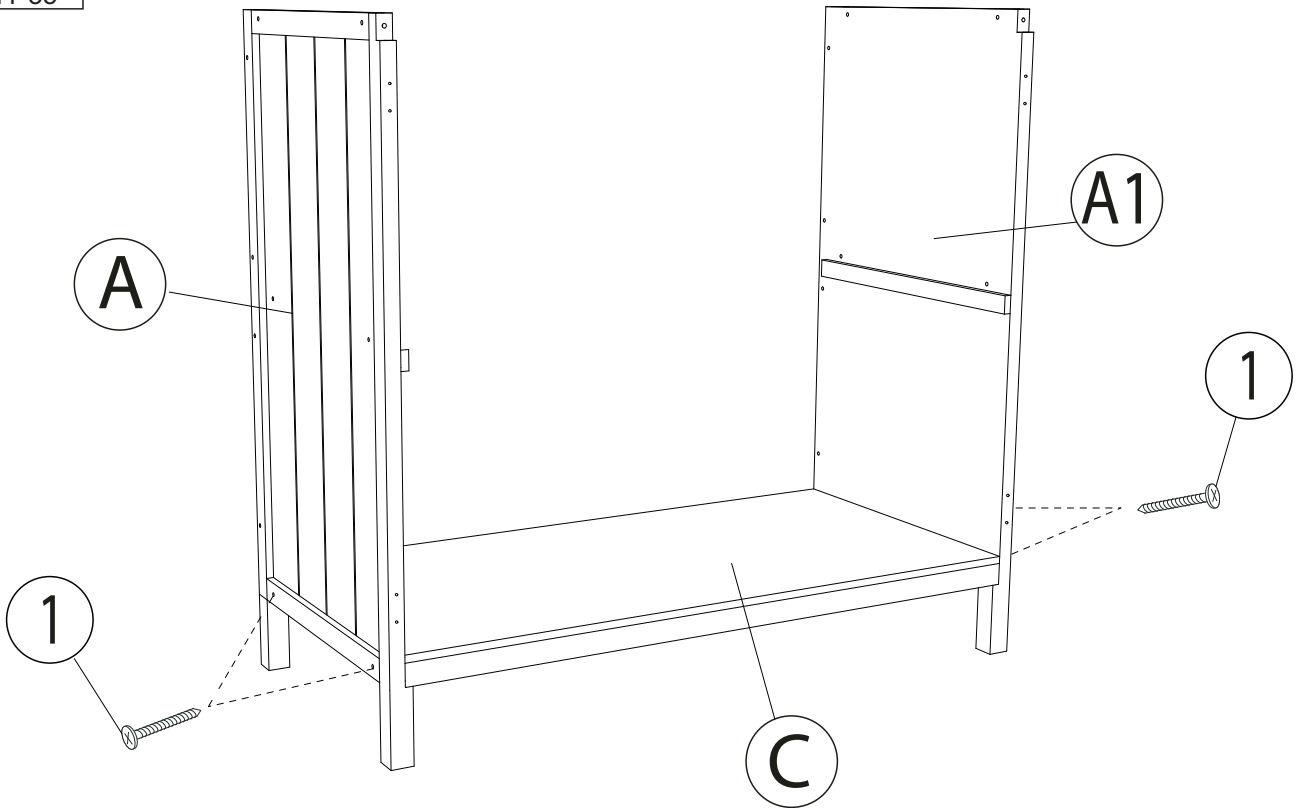


5 x8
M3*14
+1(spare)

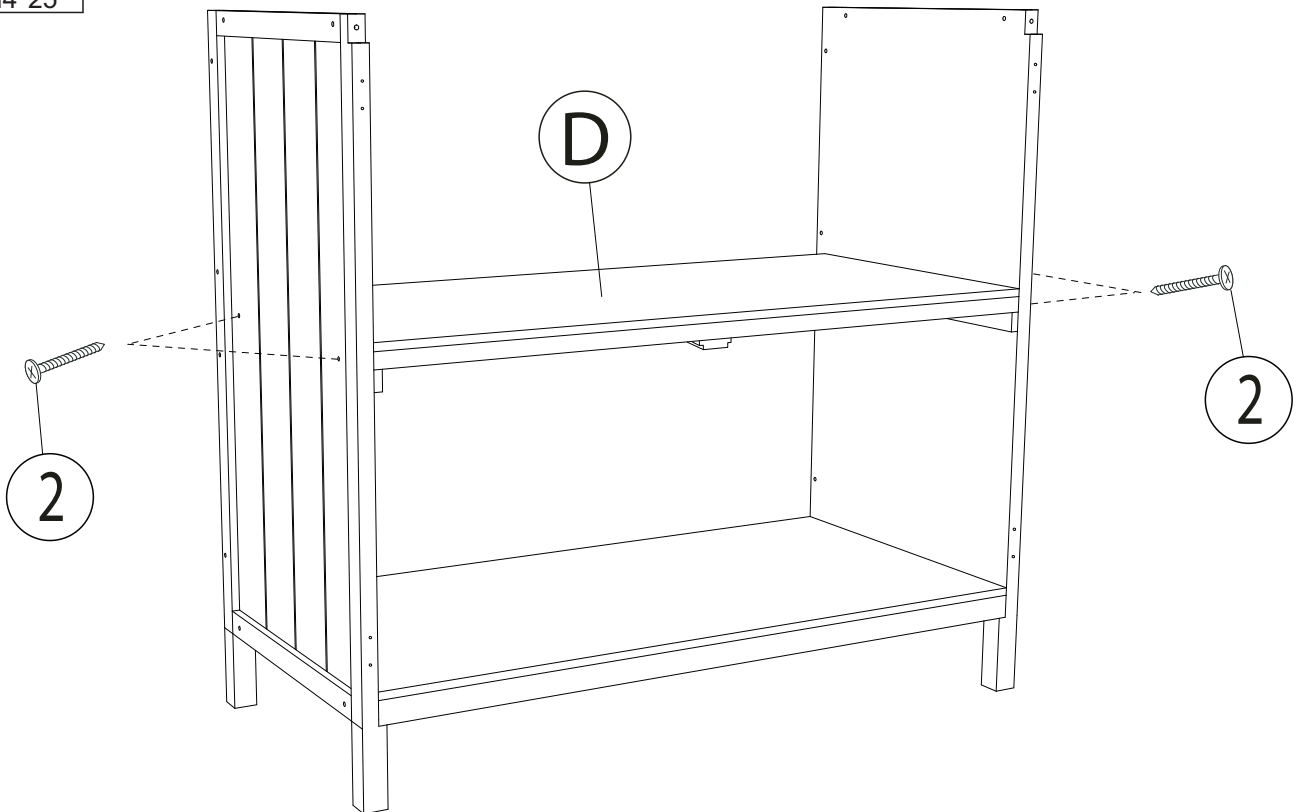


6 x1
M4

1 x4
M4*35

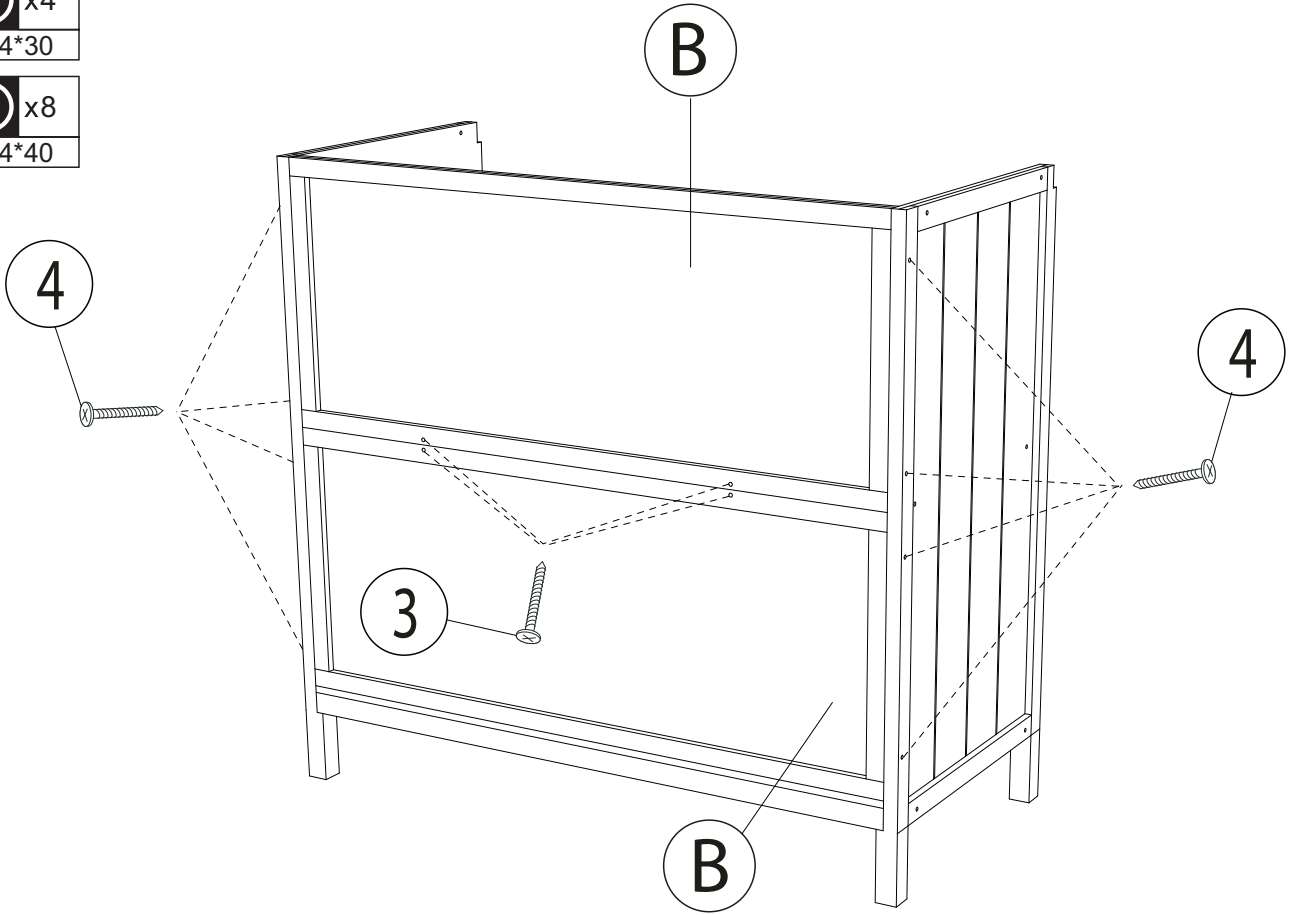


2 x4
M4*25

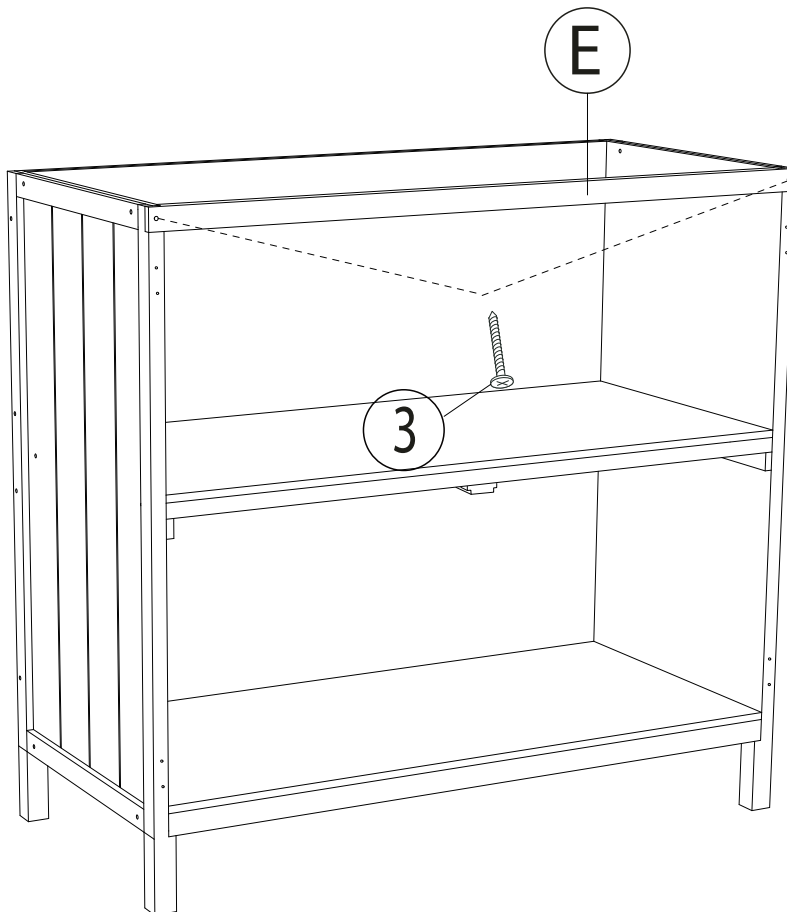


3 x4
M4*30

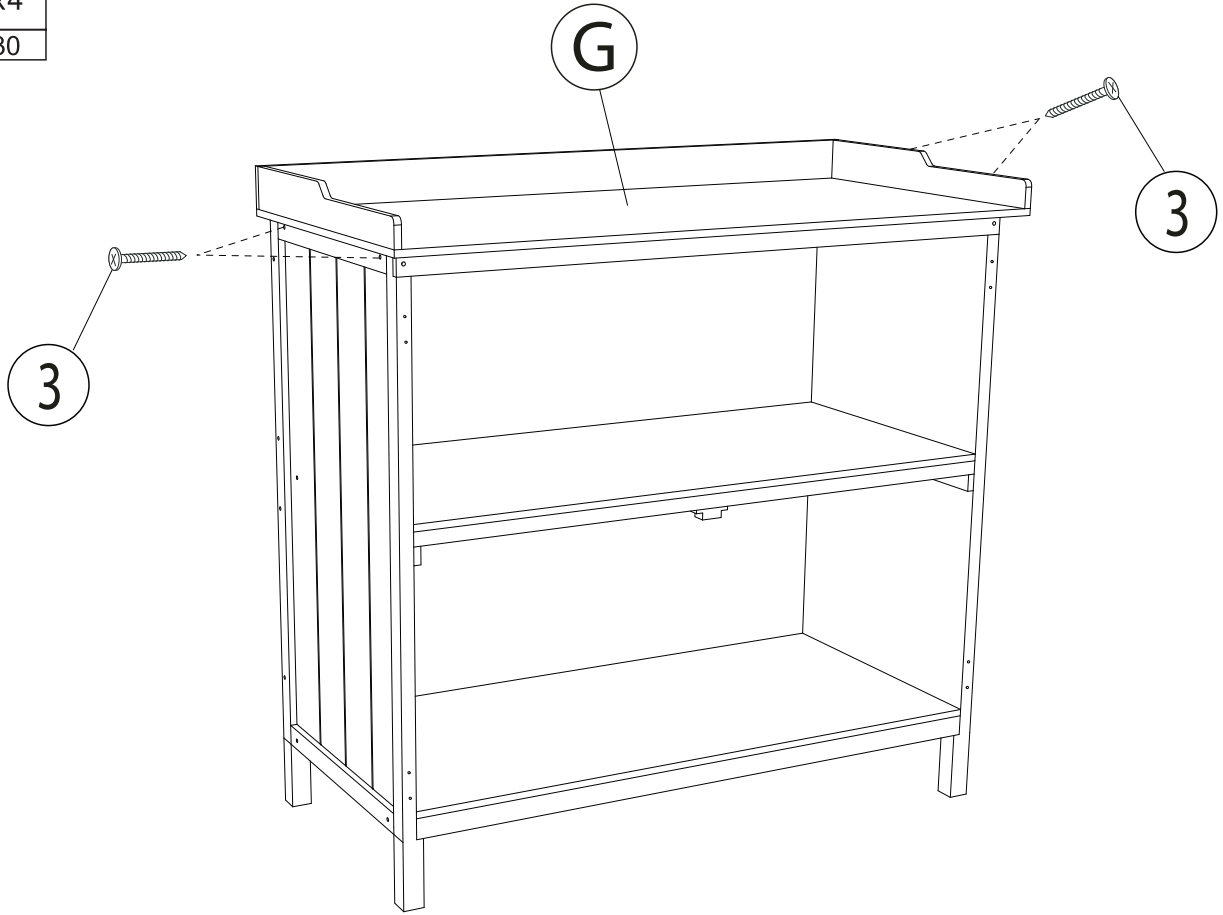
4 x8
M4*40



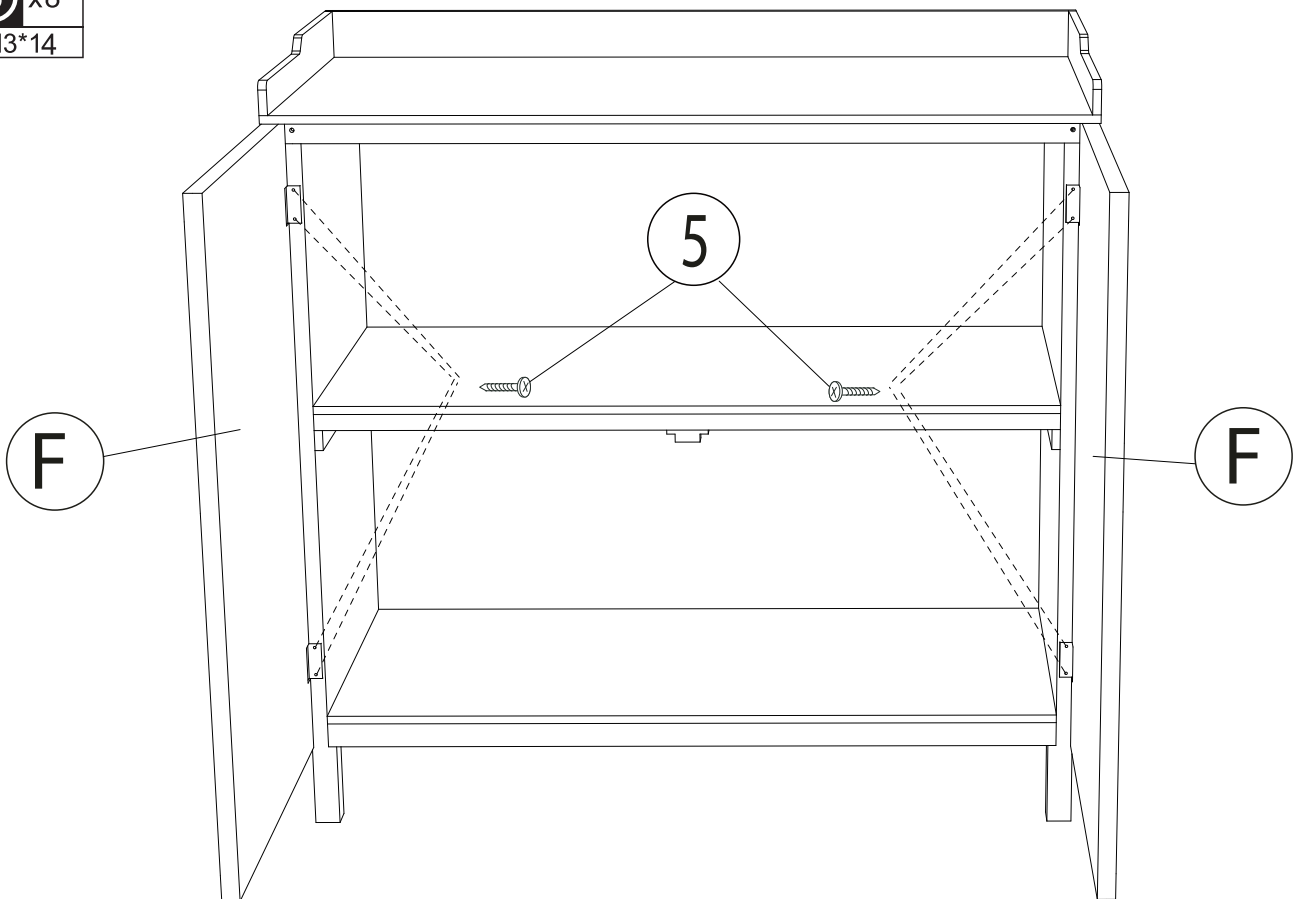
3 x2
M4*30



3 x4
M4*30



5 x8
M3*14



1 x4
M4*35

