

SUNDEAR GS 1500 HEATER

**ASSEMBLY & OPERATION INSTRUCTIONS****WARNING**

PLEASE READ THESE INSTRUCTIONS CAREFULLY AND KEEP SAFE FOR FUTURE REFERENCE.

We cannot be liable for any damages caused by failure to observe this instruction.

Contents

IMPORTANT SAFETY INSTRUCTIONS.....	3
INTRODUCTION.....	4
INSTALLATION.....	5
Installation steps:.....	5
Requirements of Installation:.....	5
Remote Control Instructions.....	6
Inserting Batteries.....	6
TROUBLESHOOTING.....	7
CLEANING AND MAINTENANCE.....	7
Attention:.....	7
RECYCLING.....	7

IMPORTANT SAFETY INSTRUCTIONS

READ CAREFULLY-The infrared heater is designed for safe operation. Nevertheless, installation, maintenance and operation of the heater can be dangerous. Observing the following procedures will reduce the risk of fire, electric shock, injury to persons and keep installation time to a minimum. Save these instructions for future use.

1. Read all instructions before using this heater.
2. Remove the unit from its packaging and check for any damages.
3. Do not allow children to play with parts of the package (such as plastic bags).
4. Check the household voltage to ensure it matches the heater's specified rating.
5. Check the power cord and plug carefully before used, to make sure that they are not damaged.
6. Before unplugging the power cord, ensure the power is off. When switching on the unit, ensure your hands are dry to prevent electric shock.
7. Do not use the heater near flammable objects. Please leave a clearance of at least 3 feet (1 meter) from the sides and rear and from items like furniture, pillows, bedding, paper, clothes, and curtains.
8. Do not use near or in the immediate vicinity of a bath or swimming pool or any source of liquid.
9. To protect against electric shock, do not immerse the cord or plug into water or any other liquid.
10. Do not insert or allow foreign objects to enter any ventilation or exhaust opening, as this may cause an electric shock, fire, or damage to the heater.
11. Always unplug the heater when not in use.
12. Do not allow cord to overhang the countertop where it can be easily pulled by children.
13. Do not put fingers or foreign objects into the grill while in operation.
14. Do not leave the appliance unattended when in use.
15. This heater is not intended for use in bathrooms, laundry, and similar indoor locations, never locate the heater where it may fall into a bathtub or other water container.
16. No liability can be accepted for any damage caused by noncompliance with these instructions or any other improper use or mishandling.
17. This appliance is not intended for use by persons (including children) with reduced physical, sensory or mental capabilities or lack of experience and knowledge unless they have been given supervision or instructions concerning the use of the appliance by a person responsible for their safety. Children and vulnerable people should be supervised to ensure they do not play with the appliance.
18. If the supply cord is damaged in any way, it must be replaced by the manufacturer or its service agent or a similarly qualified person to avoid a hazard.

-
19. To prevent overheating of this appliance, keep the air inlets and outlets clean and free of blockages. Check all inlets and outlets from time to time to ensure it is clear of any dirt or dust accumulation. **DO NOT COVER.**
 20. Parts of the heater may exceed 200°C, contact with the heating tube, reflector, or metal parts near the heating tube, may cause severe BURNS. To avoid burns, do not let bare skin touch hot surfaces.
 21. NEVER place hands under the heating elements. ALWAYS allow heating element to cool at least 10 minutes before touching the heating tube or adjacent parts.
 22. This product contains recyclable materials. Do not dispose this product as unsorted municipal waste. Please contact your local municipality for the nearest collection point.

INTRODUCTION

The SUNDEAR GS 1500 infrared heaters produce instant and comfortable heat like the sun. These robust and weatherproof heaters are designed for domestic and commercial heating applications within indoor and outdoor areas.

Model	GS 1500
Voltage (V)	220-240V AC
Wattage (W)	1500W
Dimensions WxHxD(mm)	425*425*250
Weight (KG)	2.36

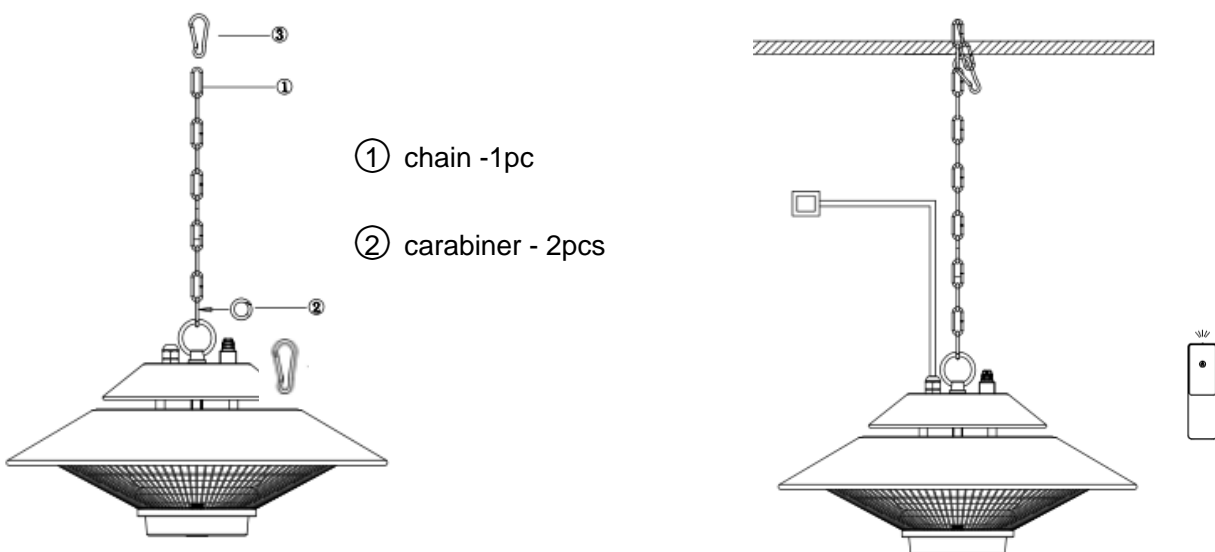
INSTALLATION

Important: Ensure the supply cables are well mounted and that it does not come into contact with the reflector of the heater or that does not trail into heated area.

1. This heater should be installed by a competent person, i.e., a qualified electrician.
2. Always disconnected the heater from the electricity supply and allow it to cool before moving.
3. This heater can be heat directly.
4. The supply cable must be at the lower end of the heater if the heater is installed at an angle or vertically.
5. Keep the supply cord away from the body of the heater which will get hot during use.
6. Do not install the heater on an inflammable surface.
7. Observe the minimum safe distance between the heater body and the inflammable surfaces when mounted.
8. If the heater is to be used outside, a weatherproof outlet is recommended.
9. Before drilling ensure that there are no wires or water pipes in the area where the heater is to be installed.
10. The heater must be installed on the mounting chain provided.
11. Fasten the chain securely to the mounting surface.
12. Fasten the heater securely on the chain.

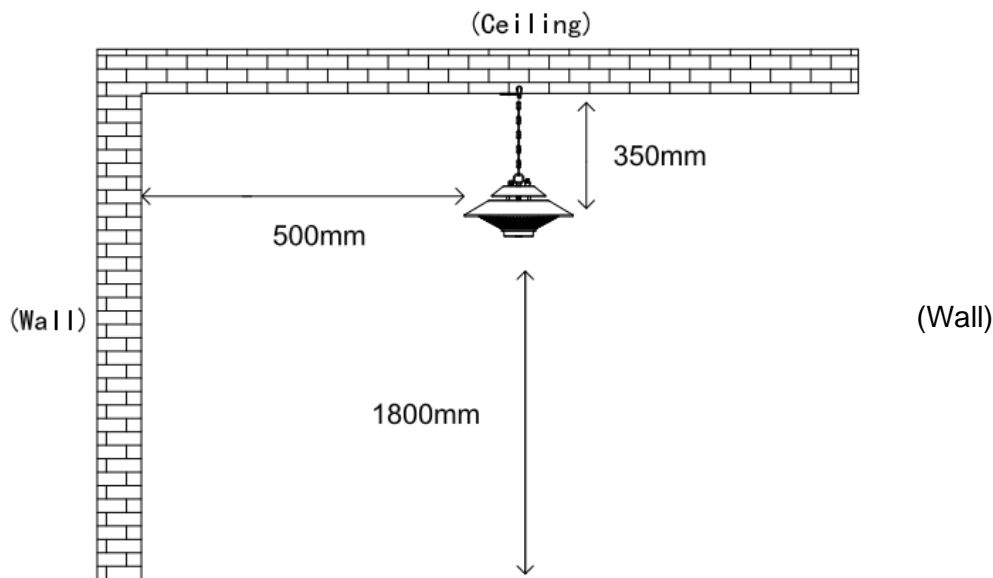
Installation steps:

First, connect the chain and connecting ring with a carabiner. (as shown in Fig.1) 2nd Hang the chain on the rail and then lock it with a carabiner. (as shown in Fig.2).



Requirements of Installation:

1. Keep a distance of at least 350mm between the heater and ceiling.
2. Keep a distance of at least 500mm between heater and surrounding area.
3. Keep a distance of at least 1800mm height from heater to ground.



Warning:

Before installing the heater, ensure the support rail is durable and firm, the hanging chain is always taut and the supply cord is not stressed.

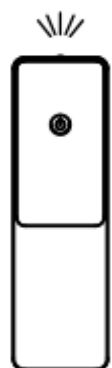
Before using the heater, ensure it is mounted tightly on the support rail.

Remote Control Instructions

1. **POWER BUTTON:** Turn the heater ON/OFF.

Noted: All SUNDEAR heaters and their remote controls have the same frequency, so it is possible to control several heaters with just one remote.

PUSH SWITCH: turn on the switch on the top of heater, then remote the heater on and off, without remote control, the heater will not operate, if you are missing remote control, please contact local dealer for replacement.



Inserting Batteries

Insert 2 AAA/ Alkaline type batteries (**not included**) into your remote control.

1. Flip the back of your remote control and pull out the battery cover. Insert the batteries in accordance with the instructions and polarity of the batteries.
2. Change the batteries in the same way depicted above.

TROUBLESHOOTING

1. Check if the power cord is plugged into an electrical outlet, if not, plug in.
2. Check if electricity to the main fuse is working.

CLEANING AND MAINTENANCE

Regular and careful cleaning helps your infrared heater operate efficiently for many trouble-free years. To clean your heater, follow steps below:

1. Unplug the power cord for your safety before cleaning your appliance.
2. Make sure the heater is cool before continuing.
3. To keep the heater clean, the outer shell may be cleaned with a soft, damp cloth. You may use a mild detergent if necessary. After cleaning, dry the unit with a soft cloth. (**CAUTION: DO NOT** allow liquids to enter the heater).
4. **DO NOT** use alcohol, gasoline, abrasive powders, furniture polish or rough brushes to clean the heater. This may cause damage or deterioration to the surface of the heater.
5. **DO NOT** immerse the heater in water.
6. Wait until the heater is completely dry before use.

Storage: Store the heater in a cool, dry location when not in use to prevent dust and dirt build up. Use packaging carton to store.

Attention:

1. Always disconnect the heater from the electricity supply and allow it to cool before attempting to work on it.
2. If the heater has collected dust or dirt inside the unit or around the heating element, have the unit cleaned by a qualified service agent. Do not operate the heater in this condition.
3. The only maintenance required is cleaning of the external surfaces of the heater.
4. Do not touch the heating element with bare fingers, as residue from your hand could affect the life of the lamp. If it is accidentally touched, remove the finger marks with a soft cloth moistened with mentholated spirit or alcohol.
5. Do not attempt to repair or adjust any electrical or mechanical functions on this heater.
6. The heater contains no user serviceable parts. Should the product suffer damage or breakdown, it must be returned to the manufacturer or its service agent.
7. Damaged supply cords to be replaced by the manufacturer, service agent or similarly qualified person to avoid hazard.

RECYCLING

At the end of the electrical product's useful life, it should not be disposed of with household waste. Please recycle where facilities exist. Check with your Local Authority or retailer for recycling advice in your country.

US



001-877-644-9366
customerservice@aosom.com

CA



001-855-537-6088
customerservice@aosom.ca

UK



0044-800-240-4004
enquiries@mhstar.co.uk

DE



0049-(0)40-88307530
service@aosom.de

FR



0033-1-84166106
contact@aosom.fr

ES



0034-931294512
atencioncliente@aosom.es

IT



0039-0249471447
clienti@aosom.it