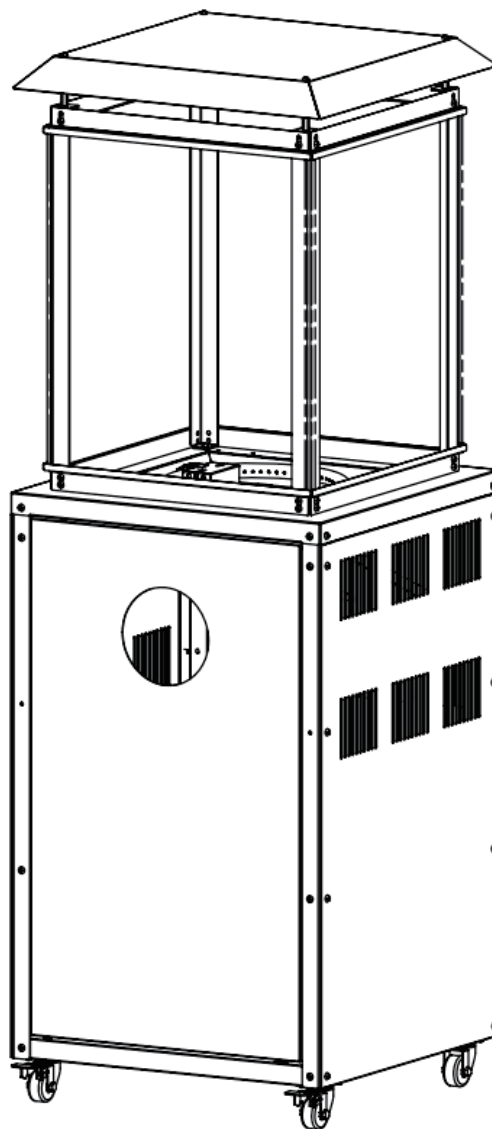


GAS FIRE PIT



WARNING: FOR OUTDOOR USE ONLY OR IN AMPLY VENTILATED AREAS

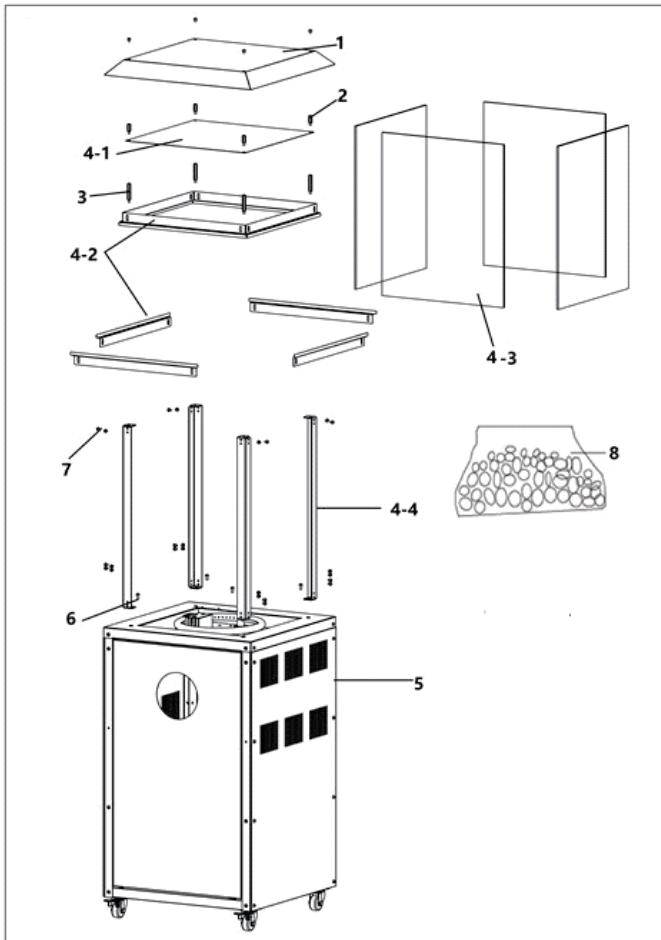


IMPORTANT, RETAIN FOR FUTURE REFERENCE: READ CAREFULLY

**PLEASE KEEP THE MANUAL FOR FUTURE REFERENCE!
GAS FIRE PIT SAFETY WARNINGS
PLEASE READ THE INSTRUCTIONS CAREFULLY BEFORE INSTALLATION AND
USE.**

- This appliance must be used outdoors or in a well ventilated area and should not be installed or used indoors.
- To change the gas cylinder in a well ventilated area away from any inflammation sources such as candle, cigarettes, or other flame producing appliances.
- Do not move this appliance when in operation or after it has been turned off before the temperature has cooled down.
- Do not attempt to alter the appliance in any manner.
- Do not obstruct the ventilation holes of the cylinder housing.
- Use only the type of gas specified by the manufacturer.
- Repairs should be done by a qualified person.
- In case of violent wind, particular attention must be taken against tilting of the appliance.
- To check that the regulator seal is correctly fitted and able to fulfil its function.
- Do not use this appliance until all connections have been leak tested.
- In the event of gas leakage, the appliance shall not be used or if a light, the gas supply shall be shut off and the appliance shall be investigated and rectified before it is used again.
- The appliance should be inspected before use and at least annually by a qualified service person. More frequent cleaning may be required as necessary. It is imperative that control compartment, burners and circulating air passageways of the appliance be kept clean.
- Shut off and check the appliance immediately if any of the following conditions exist:
 - o The smell of gas in conjunction with extreme yellow tipping of the burner flames.
- Any guard or other protective device removed for servicing the appliance must be replaced before operating the appliance.
- Children and adults should be warned of the hazards of high surface temperatures and should stay away to avoid burns or clothing ignition.
- Young children and pets should be carefully supervised when they are in the area of the appliance.
- Clothing or other flammable materials should not be hung from the appliance, or placed on or near the appliance.
- Certain material or items when stored under or near this appliance will be subjected to radiant heat and could be seriously damaged.
- Do not place articles on or against this appliance.
- Do not use or store flammable materials near this appliance.
- Do not spray aerosols in the vicinity of this appliance while it is in operation.
- Always maintain at least 1m clearance from combustible materials.
- Always position the appliance on a firm level surface.
- The cylinder must be stored outdoors or in a well ventilated area.
- Storage this appliance indoors is permissible only if gas cylinder is disconnected and removed from the appliance.
- The appliance must be installed and gas cylinder stored in accordance with local gas fitting regulations.
- The hose assembly must be replaced prior to the appliance being put into operation if there is evidence of excessive abrasion or wear, or if the hose is damaged, and that the replacement hose assembly shall be that specified by the manufacturer.
- Shut off the valve at the gas cylinder or the regulator before moving the appliance.
- To close the gas supply at the valve of the gas cylinder or the regulator after use.
- Checking the tubing or the flexible hose per month and each time the cylinder is changed.
- The regulator & hose assembly must be located out of pathways where people may trip over it or in area where the hose will not be subject to accidental damage.
- Flexibles metallic hoses which are parts of the gas circuit shall comply with EN16617:2015.

PART LIST



#	DESCRIPTION
1	Reflector
2	Short bolt
3	Long bolt
4-1	Top insulation board
4-2	Glass window bracket A
4-3	Glass window
4-4	Glass window bracket B
5	Burner & tank housing assembly
6	M5x12 Screw
7	M5x6 Screw
8	Fireglass

ASSEMBLY

Instruction before assembly

Required Tools: Philip Screwdriver / Adjustable Spanners / Wrenches

Leak Detection Solution: one part detergent and three parts water

Tighten all connections after completion of assembly.

Before assembly, make sure all packing material and any transmit protection must be moved.

Small deviations in equipment may occur. This is no lack of quality but subject to improvements.

CAUTION:

- △ Glass window is a hot part, don't touch it while it is working!
- △ In case of hotplate glass breakage, shut off all burners and any heating element and isolate the appliance from the power supply.
- △ Do not touch the appliance surface.
- △ Do not use the appliance before leakage test.

Step 1: Open door and take out all inside parts.

Step 2:

Install the 4pcs Glass window bracket B (#4-4) onto the Burner & tank housing assembly (#5) by using 4pcs M5x12 screws (#6), **the bigger screw-hole side on the bottom of bracket B must be subjacent.** See illustration 1

Note: The right-angle of bracket B and tank housing assembly must be paralleled during installing

Step 3 : Install the 4pcs lower Glass window bracket A (# 4-2) onto the Glass window bracket B (# 4-4) by using 16pcs M5x6 screws (#7). See illustration 1

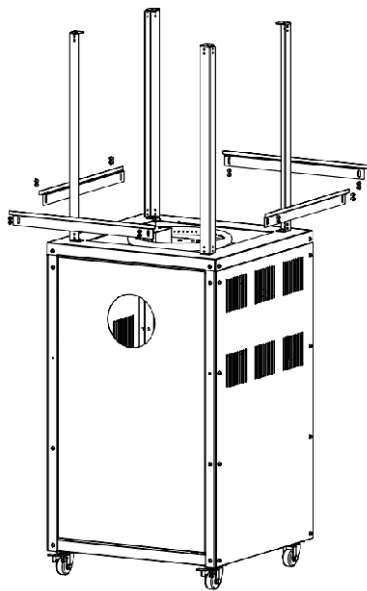


illustration 1

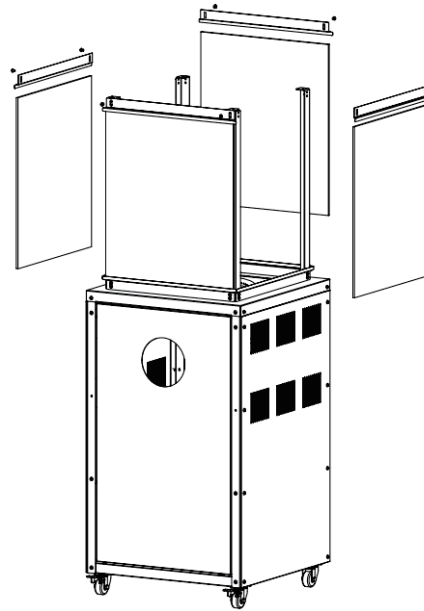
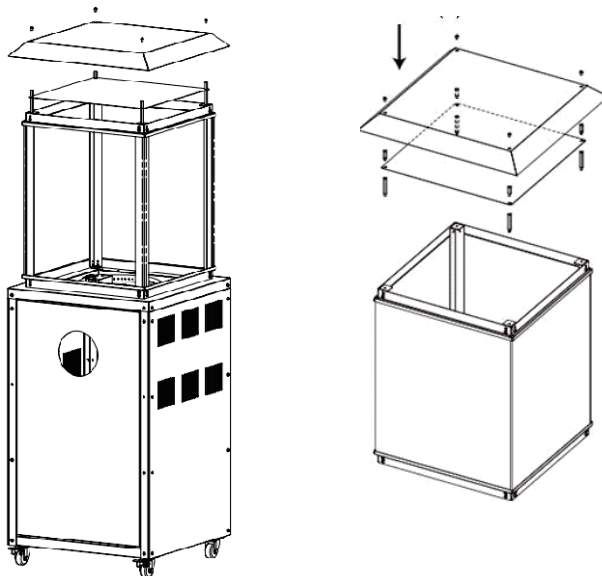


illustration 2

Step 4: Insert the Glass window (#4-3) into the lower glass window bracket A (# 4-2) carefully, then fix the upper Glass window bracket A (# 4-2) onto the Glass window bracket B (# 4-4) by using 16pcs M5x6 screws (#7) carefully. See illustration 2

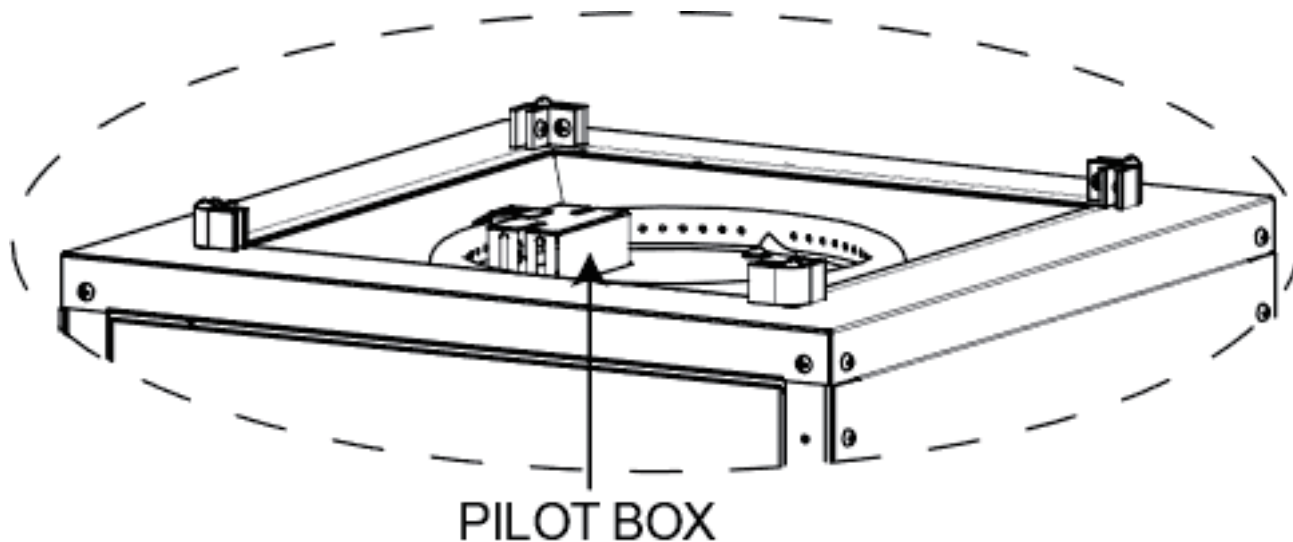
Step 5: A-Put all fireglass (#8) on the burner.

B- Fix 4pcs long bolts(#3), top insulation board (#41), 4pcs short bolts (#2) and reflector (#1) according to the following order



CAUTION:

- **Glass window is a hot part, don't touch it while it is working!**
- **In case of hotplate glass breakage, shut off all burners and any heating element and isolate the appliance from the power supply.**
- **Do not touch the appliance surface.**
- **Do not use the appliance before leakage test!**
- **Do not block pilot box and burner when filling fireglass on the burner.**



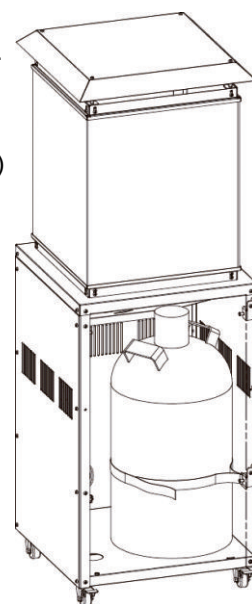
PILOT BOX

GAS REQUIREMENTS

- The pressure adjuster should comply with the standard EN6129 and current regulations in the country where it is installed, which may be found at your nearest retailer of gas items.
- Refer to the technical data. It is strictly prohibited to use adjustable pressure.
- The life expectancy of the regulator is estimated as 10 years. It is recommended that the regulator is changed within 10 years of the date of manufacture or the national conditions require it.
- The type of replaceable hose should meet the standard of EN6436-1.
- The length of the hose must be 0.4 meters (minimum) and 1.0 meters (maximum). Worn or damaged hose must be replaced. Ensure that the hose is not obstructed nor kinked. It is recommended that the hose is changed within 1 year of the date of manufacture or the national conditions require it.
- Never use a gas cylinder with a damaged body, valve, collar, or foot ring. A dented or rusty gas tank may be hazardous and should be checked out by a gas supplier.
- Always perform a leak test on gas connections whenever a cylinder is connected. If bubbles form in the leak test solution, do not use. Never use a flame to test for leaks.
- Never connect this appliance to an unregulated gas source.
- Use only regulator and hose approved for LP Gas at the correct pressures and gas type.
- Using 30mbar butane regulator for butane of I3B/P(30) or butane of I3+.
- Using 30mbar propane regulator for propane or butane/propane mixture of I3B/P(30).
- Using 37mbar propane regulator for propane of I3P(37).
- Using 50mbar butane regulator for butane of I3B/P (50).
- Using 50mbar propane regulator for propane or butane/propane mixture of I3B/P (50)

CONNECTING TO A GAS CYLINDER

- Use max.13kg gas cylinder. Please refer to your gas supplier for suitable gas cylinder.
- Refer to your gas supplier for instructions on the use of your gas cylinder.
- Only change gas cylinders outdoors or in a well ventilated area away from naked flames and any other source of ignition.
- The gas cylinder must always be used in an upright position.
- Close the appliance control knob by turning fully clockwise.
- Close the gas cylinder tap and then attach the regulator onto the gas cylinder.
- Tighten all connections firmly and with a spanner where appropriate. The cylinder should be located on the cylinder base.
- Check for leaks at all joints using soapy water. If a leak is found, tighten the joint and then re-test.



SECURING A GAS CYLINDER

1. Position a gas cylinder inside the tank housing.
2. Stick cylinder restraint straps together as RIGHT photo illustrated.

The straps must be in a proper tightness for the gas cylinder.

Caution: Please take care that the cylinder restraint straps. DO NOT strain the regulator assembly.

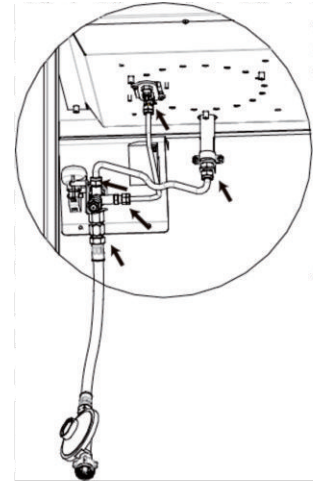
LEAK TESTING

NEVER USE A NAKED FLAME TO CHECK FOR LEAKS.

NEVER LEAK TEST WHILE SMOKING.

The gas connections on this appliance are leak tested at the factory prior to shipment. This appliance needs to be periodically checked for leaks and an immediate check is required if the smell of gas is detected.

- Make a soap solution using 1 part of liquid dish-washing soap to 3 parts water. The soap solution can be applied with a soap bottle, brush, or rag to the leak tested points shown in the figure.
- The valve of the gas cylinder should be in the **OFF** position at this point of the leak test. Once the soapy solution is applied to the gas connections, the valve of the gas cylinder needs to be turned to the **ON** position.
- Soap bubbles will begin to form in the soapy solution if a leak is present.
- In case of a leak, turn off the gas supply. Tighten any leaking fittings, then turn the gas supply on and recheck.



OPERATING INSTRUCTIONS

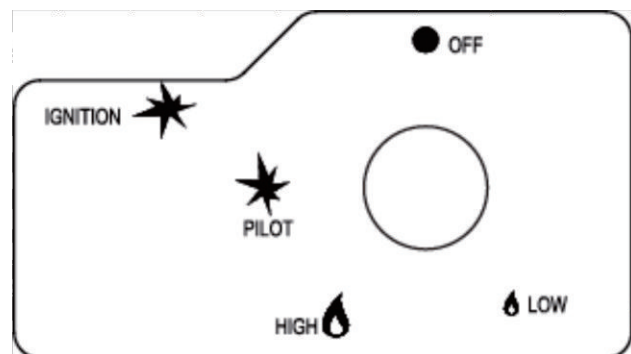
BEFORE FIRST USE AND AFTER EVERY GAS CYLINDER CHANGE, GAS DELIVERY SYSTEM MUST BE PURGED OF AIR BEFORE IGNITING! TO DO THIS, TURN THE CONTROL KNOB ANTI-CLOCKWISE TO THE PILOT SETTING. PRESS KNOB IN AND HOLD FOR ABOUT 2 MINUTES BEFORE ATTEMPTING IGNITION.

BATTERY REPLACEMENT

Remove impulse ignition cap from below Ignition by turning cap counterclockwise. Install 1 AAA battery. Negative end of battery goes in first, then replace impulse ignition cap by turning cap clockwise.

TO LIGHT THE PILOT

- Check all connections prior to each use.
- Turn on main gas supply at source.
- Press to turn control knob anti-clockwise to **PILOT**.
- Hold knob depressed, press **IGNITION** button repeatedly until pilot flame is lit, then continue to hold the knob depressed for **20** seconds until the pilot remains lit after releasing knob.
- If pilot fails to ignite or alight, press to turn knob clockwise to **OFF** and repeat.



TO LIGHT THE APPLIANCE

- The pilot should be lit and the knob set to **PILOT**.
- Hold knob depressed gently and turn anti-clockwise to **HIGH**.
- When the appliance glows lit, turn knob clockwise from **HIGH** to **LOW** as needed.

RE-LIGHTING

- Turn Control Knob to OFF.
- Wait at least 5 minutes to let gas dissipate, before attempting to relight pilot.
- Repeat the "Lighting" steps.

TO EXTINGUISH

- Hold knob depressed & turn the knob clockwise to 'OFF'
- Close the valve of the gas cylinder or the regulator after use.
- Close the gas bottle and allow this appliance to cool before moving the appliance.

Note: Close regulator after use, allow the appliance to cool before moving.

Note: When the appliance is not in use, turn the gas cylinder OFF.

IMPORTANT SAFETY RULES

For use outdoors or in amply ventilated areas.

An amply ventilated area must have a minimum of 25% of the surface area open.

The surface area is the sum of the walls surface.

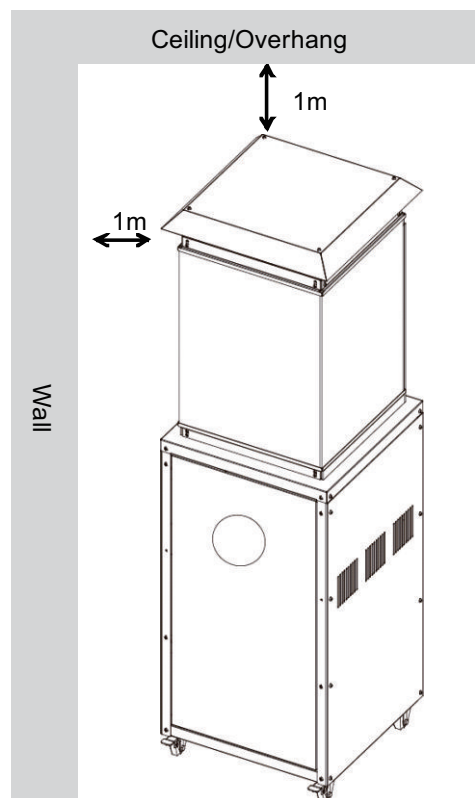
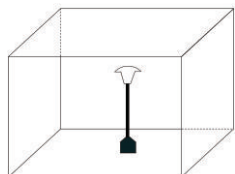
The use of this appliance in enclosed areas can be dangerous and is PROHIBITED.

Children and adults should be aware of the high operating temperatures of areas above the post when operating this appliance. Children should be carefully supervised when in the vicinity of the appliance.

NEVER hang anything, including clothes or any other flammable items, on this appliance.

DO NOT operate this appliance unless it is fully assembled with its reflector in place.

Respect the minimum clearances from combustible materials.



MAINTENANCE

To enjoy years of outstanding performance from your appliance, make sure you perform the following maintenance activities on a regular basis:

- Keep exterior surfaces clean.
- Use warm soapy water for cleaning. Never use flammable or corrosive cleaning agents.
- While washing your unit, be sure to keep the area around the burner and pilot assembly dry at all times. If the gas control is exposed to water in any way, **DO NOT** try to use it. It must be replaced.
- Airflow must be unobstructed. Keep controls, burner and circulation air passageways clean. Signs of possible blockage include:
 - Gas odor with extreme yellow tipping of flame.
 - The appliance does **NOT** reach the desired temperature.
 - The appliance glow is excessively uneven.
 - The appliance makes popping noises.

- Spiders and insects can nest in burner or orifices. This dangerous condition can damage the appliance and render it unsafe for use. Clean burner holes by using a heavy duty pipe cleaner. Compressed air may help clear away smaller particles.
- Carbon deposits may create a fire hazard. If any carbon deposits develop, clean dome and engine with warm soapy water.

Note: in a salt-air environment (such as near the sea), corrosion occurs more quickly than normal.

Frequently check the corroded areas and repair them promptly.

SERVICING

- Please consult your local dealer for servicing this appliance and replacement of its parts. The servicing of the appliance shall be carried out only by authorised personnel.
- Caution: do not use unauthorized parts or components for this appliance, only use original equipment replacement parts and components. The use of unauthorized parts or components will void the warranty and can create an unsafe condition.

STORAGE

There is no limitation on the storage of the appliance indoors provided that the cylinder is removed from the appliance.

Between uses:

- Turn control knob **OFF**
- Turn gas cylinder **OFF**

Store the appliance upright in an area sheltered from direct contact with inclement weather (such as rain, sleet, hail, snow, dust and debris).

If desired, cover to protect exterior surfaces and to prevent build up in air passages.

Note: Wait until the appliance is cool before covering.

During periods of extended inactivity or when transporting:

- Turn control knob **OFF**.
- Disconnect gas cylinder and move to a secure, well ventilated location outdoors. DO NOT store in a location that will exceed 50°C.

Store the appliance upright in an area sheltered from direct contact with inclement weather (such as rain, sleet, hail, snow, dust and debris).

If desired, cover the appliance to protect exterior surfaces and to prevent build up in air passages.

Note: Wait until the appliance is cool before covering

TROUBLESHOOTING

IF THE PROBLEM IS:	AND THIS CONDITION EXISTS:	THEN DO THIS:
Pilot won't light	Cylinder valve is closed	Open valve
	Blockage in orifice or pilot tube	Clean or replace orifice or pilot tube
	Air in the gas line	Open gas line and bleed it (pressing control knob in) for not more than 1-2 minutes or until you smell gas
	Low gas pressure	Gas cylinder low or empty
	Igniter fails	Use match to light pilot, and obtain new igniter and replace.
Pilot won't stay lit	Dirt build up around pilot	Clean dirt from around pilot
	Connection between gas valve and pilot assembly is loose	Tighten connection and perform leak test
	Bad thermocouple	Replace thermocouple
Burner won't light	Gas pressure is low	Replace gas cylinder
	Blockage in orifice	Clear blockage
	Control knob is not in "ON" position	Turn control knob to "ON" position
Burner flame is low <i>Note: Do not operate the appliance below 5°C (40°F)</i>	Gas pressure is low	Replace gas cylinder
	Outdoor temperature is below 5°C (40°F) and tank is less than 25% full	Replace gas cylinder
	Supply hose is bent or kinked	Straighten hose and perform leak test on hose
	Control knob is fully "ON"	Turn control knob to "OFF", let it cool to room temperature and check burner and orifices for blockage
Emitter glows uneven <i>Note: Bottom 2.5cm of emitter normally does not normally glow</i>	Gas pressure is low	Replace gas cylinder
	Base is not on a level surface	Place the appliance on a level surface
	The appliance is not level	Level the appliance
Carbon build-up	Dirt or film on reflector and emitter	Clean reflector and emitter
Thick black smoke	Blockage in burner	Turn control knob to "OFF", let it cool to room temperature and remove blockage and clean burner inside and outside.

IN THE EVENT OF ANY PROBLEM, PLEASE ALWAYS CONSULT YOUR LOCAL DEALER

TECHNICAL DATA

Product Name: Gas fire pit

SKU: 842-189

Manufacturer's model NO.: P1201

Country Code	BE-CY-CH-CZ-FR- ES-GB-GR-IE-IT-PT -SK-SI-TR	PL	BG-HR-CH-CY-DK-EE-FI- GR-HU-IT-IS-LT-LV-MT-NL- NO-PT-SE-SI-SK-RO-TR	AT-CH-DE
Category	<input type="checkbox"/> I3+(28-30/37)	<input type="checkbox"/> I3P(37)	<input type="checkbox"/> I3B/P(30)	<input type="checkbox"/> I3B/P(50)
Gas	G30	G31	G31	G30/G31
Gas type	Butane	Propane	Propane	Butane/Propane
Pressure(mbar)	28-30	37	37	30
Heat input	8kW	8kW	8kW	8kW
Consumption	599g/h	576g/h	576g/h	599g/h
Gas injector	1.4mm	1.4mm	1.4mm	1.4mm
				1.15mm

US



001-877-644-9366
customerservice@aosom.com

CA



001-855-537-6088
customerservice@aosom.ca

UK



0044-800-240-4004
enquiries@mhstar.co.uk

DE



0049-(0)40-88307530
service@aosom.de

FR



0033-1-84166106
contact@aosom.fr

ES



0034-931294512
atencioncliente@aosom.es

IT



0039-0249471447
clienti@aosom.it