

For outdoor use only !



IMPORTANT, RETAIN FOR FUTURE REFERENCE: READ CAREFULLY

ASSEMBLY & INSTRUCTION MANUAL

TABLE OF CONTENTS

Warnings	1-2
Assembly	3
Gas Requirements	4
Connecting To A Gas Cylinder	4
Securing A Gas Cylinder	4
Minimum Clearance from Combustible Materials	5
Gas Leak testing	5
Lighting Instructions	6
Maintenance & Servicing	6
Storage	7
Trouble Shooting	8
Technical Data	9

WARNINGS

PLEASE READ THE INSTRUCTIONS CAREFULLY BEFORE INSTALLATION AND USE.

- This appliance must be used outdoors or in a well ventilated area, and should not be installed or used indoors.
- Change the gas cylinder in a well ventilated area, away from any inflammation sources.
- The cylinder must be stored outdoors or in a well ventilated area.
- Storage this appliance indoors is permissible only if gas cylinder is disconnected and removed from the appliance.
- Do not move this appliance when in operation, or after it has been turned off before the temperature has cooled down.
- Do not attempt to alter the appliance in any manner. Do not paint the radiant screen, control panel or reflector.
- Do not obstruct the ventilation holes of the cylinder housing.
- The appliance must be installed and gas cylinder stored in accordance with local gas fitting regulations.
- Shut off the valve at the gas cylinder or the regulator before moving the appliance.
- Use only the type of gas specified by the manufacturer.
- Repairs should be done by a qualified person.
- In case of violent wind, particular attention must be taken against tilting of the appliance.
- Check that the regulator seal is correctly fitted and able to fulfil its function.
- Close the gas supply at the valve of the gas cylinder or the regulator after use.
- Do not use this appliance until all connections have been leak tested.
- In the event of gas leakage, the appliance shall not be used or if alight, the gas supply shall be shut off and the appliance shall be investigated and rectified before it is used again.
- Checking the tubing or the flexible hose per month and each time the cylinder is changed.
- The tubing or the flexible hose must be changed within the prescribed intervals or within one

year.

- The hose assembly must be replaced prior to the appliance being put into operation if there is evidence of excessive abrasion or wear, or if the hose is damaged, and that the replacement hose assembly shall be that specified by the manufacturer.
- The heater should be inspected before use and at least annually by a qualified service person. More frequent cleaning may be required as necessary. It is imperative that control compartment, burners and circulating air passageways of the appliance be kept clean.
- Shut off and check heater immediately if any of the following conditions exist:
 - The smell of gas in conjunction with extreme yellow tipping of the burner flames.
 - Heater does not reach a proper temperature. A temperature less than 5°C will cause restricted heat flow and the appliance will not work properly.
 - The appliance starts making popping noises during use (a slight popping noise is normal when the appliance is extinguished).
- The regulator & hose assembly must be located out of pathways where people may trip over it or in area where the hose will not be subject to accidental damage.
- Any guard or other protective device removed for servicing the heater must be replaced before operating the heater.
- Children and adults should be warned of the hazards of high surface temperatures and should stay away to avoid burns or clothing ignition.
- Young children and pets should be carefully supervised when they are in the area of the heater.
- Clothing or other flammable materials should not be hung from the appliance, or placed on or near the appliance.
- Do not place articles on or against this appliance. Certain material or items when stored under or near this appliance will be subjected to radiant heat and could be seriously damaged.
- Do not use or store flammable materials near this appliance.
- Do not spray aerosols in the vicinity of this appliance while it is in operation.
- Always maintain at least 0.9m clearance from combustible materials.
- Always position the appliance on a firm level surface. An amply ventilated area must have a minimum of 25% of the surface area open. The surface area is the sum of the walls surface.
- Do not connect the gas cylinder directly to the appliance without regulator.
- The injector of the appliance is not removable, and it is forbidden to convert from one gas pressure to another pressure.
- The gas cylinder must be secured by cylinder belts provided inside the housing, while installation.

ASSEMBLY

Tools required: Philips head screwdriver

Note: Remove any transit protection material before assembly.

Step 1.

Place the base on a flat surface. Secure the rear housing to the base using 5pcs M5*10 screws and washers.

Step 2.

Secure The burner assembly outside of the rear housing using 5pcs M5*10 screws and washers.

ATTENTION: To close the door well, lift the burner assembly by one hand to secure 5pcs M5*10 screws and washers with the lowest position of screw holes in burner assembly.

Step 3.

Connecting hose and regulator (if supplied) to the burner assembly.

Put gas cylinder on the base and connecting regulator to a gas cylinder, then assembly 2 cylinder belts and ensure gas cylinder using belts. (See Page 5 "Connecting to a Gas Cylinder" and "Securing a Gas Cylinder")

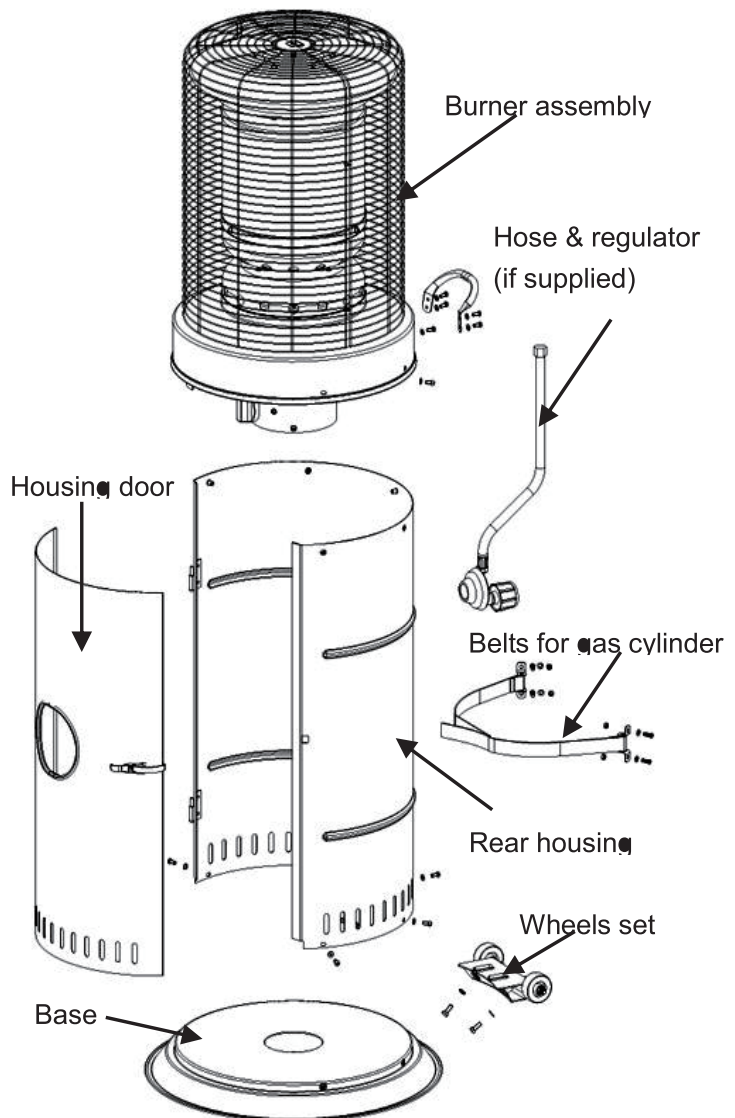
Check leakage for all connections using a soapy water solution. (See Page 6 "Gas Leakage Test")

Step 4.

Slide the housing door onto the hinge of rear housing, close door and lock.

Step 5.

Attach wheels set to the base with 2pcs M6*12 screws and washers. (Ignore this step in case wheels set is assembled).



GAS REQUIREMENTS

- The appliance must use an EN16129 standard gas regulator and EN16436-1 standard gas hose with a length of 0.5meter.
- Never use a gas cylinder with a damaged body, valve, collar, or foot ring. A dented or rusty gas tank may be hazardous and should be checked out by a gas supplier.
- Never connect this appliance to an unregulated gas source.
- When the appliance is not in use, turn the gas cylinder OFF.
- Always perform a leak test on gas connections whenever a cylinder is connected. If bubbles form in the leak test solution, do not use. Never use a flame to test for leaks.

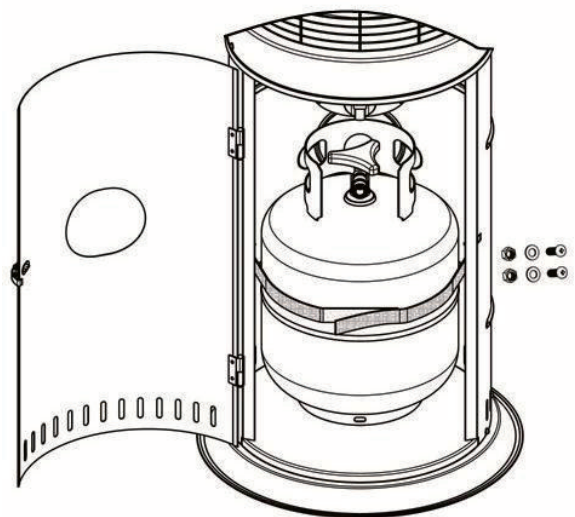
CONNECTING TO A GAS CYLINDER

- Refer to your gas supplier for instructions on the use of your gas cylinder.
- Only change gas cylinders outdoors or in a well ventilated area away from naked flames and any other source of ignition.
- The gas cylinder must always be used in an upright position.
- Close the heater control knob by turning fully clockwise.
- Close the gas cylinder tap and then attach the regulator onto the gas cylinder.
- Tighten all connections firmly and with a spanner where appropriate. The cylinder should be located on the cylinder base.
- Check for leaks at all joints using soapy water. If a leak is found, tighten the joint and then re-test.
- The gas cylinder must be secured by cylinder belts provided inside the housing, while installation.

SECURING A GAS CYLINDER

1. Fix both cylinder restraint straps onto the rear tank housing using 4pcs M5*12 bolts with M5 washer and M5 nuts.
2. Position a gas cylinder inside the tank housing.
3. Connect the gas cylinder with a regulator. Please refer to the instructions attached with the regulator on how to connect a regulator with the gas cylinder.
4. Stick cylinder restraint straps together as above photo illustrated. The straps must be in a proper tightness for the gas cylinder.

Caution: Please take care that the cylinder restraint straps. DO NOT strain the regulator assembly.



MINIMUM CLEARANCE FROM COMBUSTIBLE MATERIALS

IMPORTANT SAFETY RULES

For use outdoors or in amply ventilated areas.

An amply ventilated area must have a minimum of 25% of the surface area open.

The surface area is the sum of the walls surface.

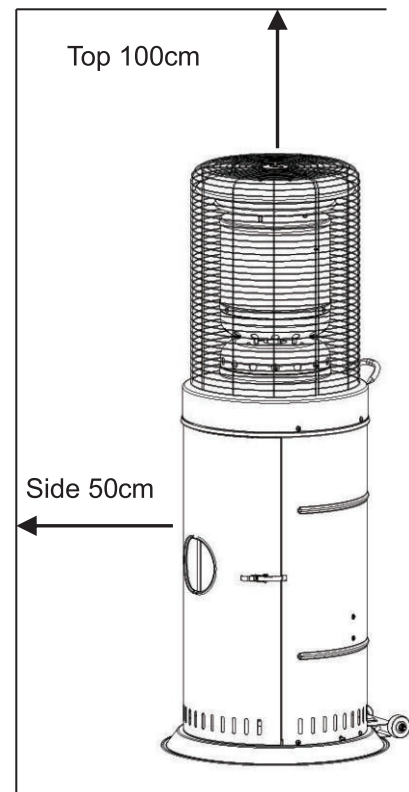
The use of this appliance in enclosed areas can be dangerous and is PROHIBITED.

Children and adults should be aware of the high operating temperatures of areas above the post when operating this heater. Children should be carefully supervised when in the vicinity of the heater.

NEVER hang anything, including clothes or any other flammable items, on this heater.

DO NOT operate this heater unless it is fully assembled with its reflector in place.

Respect the minimum clearances from combustibile materials.



GAS LEAKAGE TEST

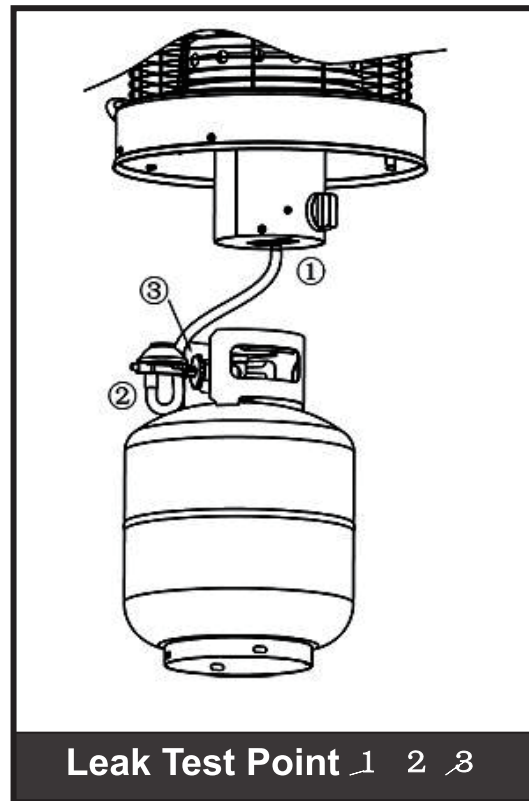
NEVER USE A NAKED FLAME TO CHECK FOR LEAKS.

NEVER LEAK TEST WHILE SMOKING.

The gas connections on this appliance are leak tested at the factory prior to shipment.

This appliance needs to be periodically checked for leaks and an immediate check is required if the smell of gas is detected.

- Make a soap solution using 1 part of liquid dish-washing soap to 3 parts water. The soap solution can be applied with a soap bottle, brush, or rag to the leak tested points shown in the figure above.
- The valve of the gas cylinder should be in the **OFF** position at this point of the leak test. Once the soapy solution is applied to the gas connections, the valve of the gas cylinder needs



to be turned to the **ON** position.

- Soap bubbles will begin to form in the soapy solution if a leak is present.
- In case of a leak, turn off the gas supply. Tighten any leaking fittings, then turn the gas supply on and recheck.

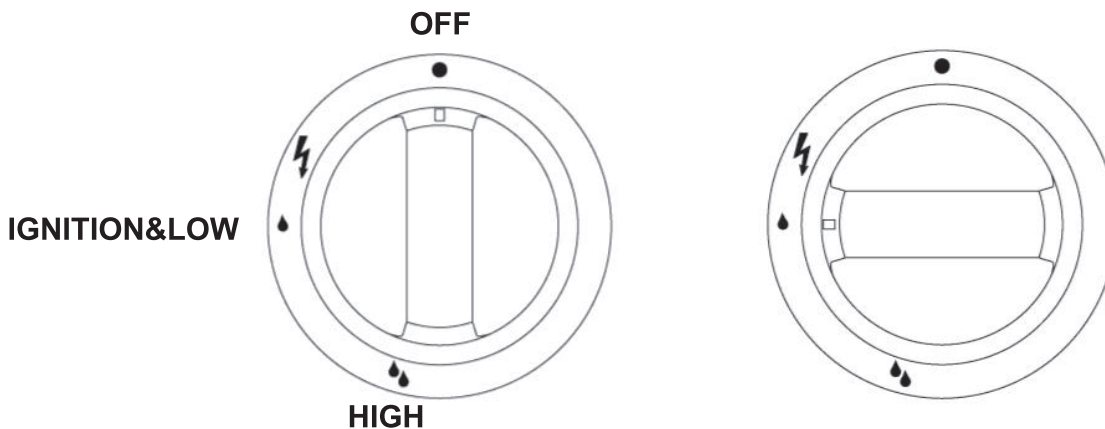
LIGHTLING INSTRUCTIONS

1. Open the gas cylinder valve.
2. Push in control knob and turn anti clockwise to "IGNITION&LOW". The rotary piezo will make a clicking sound.
3. Check for flame at the burner, if burner does not light immediately, turn control knob to OFF setting and try again from the start. Allow 30 seconds between ignition attempts for gas to dissipate. Several attempts may be necessary.

Failure to follow this lighting procedure may result in flame roll out beyond the emitter grid.

4. With the burner alight, keep control knob depressed for 15 seconds.
5. For maximum heat, turn control knob to "HIGH".
6. To turn the heater off, turn control knob to "OFF".

NOTE: Allow one minute to purge air through to pilot after connection to a new cylinder or replace hose & regulator.



MAINTENANCE & SERVICING

To enjoy years of outstanding performance from your heater, make sure you perform the following maintenance activities on a regular basis:

- Keep exterior surfaces clean.
- Use warm soapy water for cleaning. Never use flammable or corrosive cleaning agents.
- While washing your unit, be sure to keep the area around the burner and pilot assembly dry at all times. If the gas control is exposed to water in any way, **DO NOT** try to use it. It must be replaced.
- Airflow must be unobstructed. Keep controls, burner and circulation air passageways clean.

Signs of possible blockage include:

- Gas odor with extreme yellow tipping of flame.

- Heater does **NOT** reach the desired temperature.
- Heater glow is excessively uneven.
- Heater makes popping noises.
- Spiders and insects can nest in burner or orifices. This dangerous condition can damage the heater and render it unsafe for use. Clean burner holes by using a heavy duty pipe cleaner. Compressed air may help clear away smaller particles.
- Carbon deposits may create a fire hazard. If any carbon deposits develop, clean dome and engine with warm soapy water.

Note: in a salt-air environment (such as near the sea), corrosion occurs more quickly than normal. Frequently check the corroded areas and repair them promptly.

SERVICING

- Please consult your local dealer for servicing this appliance and replacement of its parts. The servicing of the appliance shall be carried out only by authorised personnel.
- Caution: do not use unauthorized parts or components for this appliance, only use original equipment replacement parts and components. The use of unauthorized parts or components will void the warranty and can create an unsafe condition.

STORAGE

There is no limitation on the storage of the appliance indoors provided that the cylinder is removed from the appliance. Between uses:

- Turn control knob **OFF**
- Turn gas cylinder **OFF**

Store heater upright in an area sheltered from direct contact with inclement weather (such as rain, sleet, hail, snow, dust and debris).

If desired, cover to protect exterior surfaces and to prevent build up in air passages.

Note: Wait until heater is cool before covering.

During periods of extended inactivity or when transporting:

- Turn control knob **OFF**.
- Disconnect gas cylinder and move to a secure, well ventilated location outdoors. DO NOT store in a location that will exceed 50°C .

Store heater upright in an area sheltered from direct contact with inclement weather (such as rain, sleet, hail, snow, dust and debris).


If desired, cover heater to protect exterior surfaces and to prevent build up in air passages.

Note: Wait until heater is cool before covering

TROUBLESHOOTING

IF THE PROBLEM IS:	AND THIS CONDITION EXISTS:	THEN DO THIS:
Pilot won't light	Cylinder valve is closed	Open valve
	Blockage in orifice or pilot tube	Clean or replace orifice or pilot tube
	Air in the gas line	Open gas line and bleed it (pressing control knob in) for not more than 1-2 minutes or until you smell gas
	Low gas pressure	Gas cylinder low or empty
	Igniter fails	Use match to light pilot, and obtain new igniter and replace. (See below pictures)
Pilot won't stay lit	Dirt build up around pilot	Clean dirt from around pilot
	Connection between gas valve and pilot assembly is loose	Tighten connection and perform leak test
	Bad thermocouple	Replace thermocouple
Burner won't light	Gas pressure is low	Replace gas cylinder
	Blockage in orifice	Clear blockage
	Control knob is not in "ON" position	Turn control knob to "ON" position
Burner flame is low <i>Note: Do not operate heater below 5°C(40°F)</i>	Gas pressure is low	Replace gas cylinder
	Outdoor temperature is greater than 5°C (40°F) and tank is less than 25% full.	Replace gas cylinder
	Supply hose is bent or kinked	Straighten hose and perform leak test on hose
	Control knob is fully " ON"	Turn control knob to "OFF", let it cool to room temperature & check burner and orifices for blockage
Emitter glows uneven <i>Note: Bottom 2.5cm of emitter normally does not normally glow</i>	Gas pressure is low	Replace gas cylinder
	Base is not on a level surface	Place heater on a level surface
	Heater not level	Level heater
Carbon build-up	Dirt or film on reflector and emitter	Clean reflector and emitter
Thick black smoke	Blockage in burner	Turn control knob to "OFF", let it cool to room temperature and remove blockage and clean burner inside and outside.

TECHNICAL DATA

Product Name	Area Patio Heater						
Model	<input type="checkbox"/> 842-187 <input type="checkbox"/> 842-188 <input type="checkbox"/> 842-188V01 Manufacturer's model No.: H1109B&H1209B						
Destination Country	GB&DE						
Category	<input type="checkbox"/> I3B/P	<input checked="" type="checkbox"/> I3+		<input type="checkbox"/> I3P	<input type="checkbox"/> I3B/P	<input type="checkbox"/> I3B/P	<input type="checkbox"/> I3P
P(mbar)	30	28-30	37	37	37	50	50
Gas	G30/G31	G30	G31	G31	G30/G31	G30/G31	G31
Nozzle size	1.55mm	1.55mm		1.55mm	1.45mm	1.3mm	1.45mm
Heat input	10KW	10KW		10KW	10KW	10KW	10KW
Consumption	728g/h	G30: 728g/h, G31: 715g/h		715g/h	728g/h	728g/h	728g/h
Serial No		PIN No.		0063CO7365			

US



001-877-644-9366
customerservice@aosom.com

CA



001-855-537-6088
customerservice@aosom.ca

UK



0044-800-240-4004
enquiries@mhstar.co.uk

DE



0049-(0)40-88307530
service@aosom.de

FR



0033-1-84166106
contact@aosom.fr

ES



0034-931294512
atencioncliente@aosom.es

IT



0039-0249471447
clienti@aosom.it