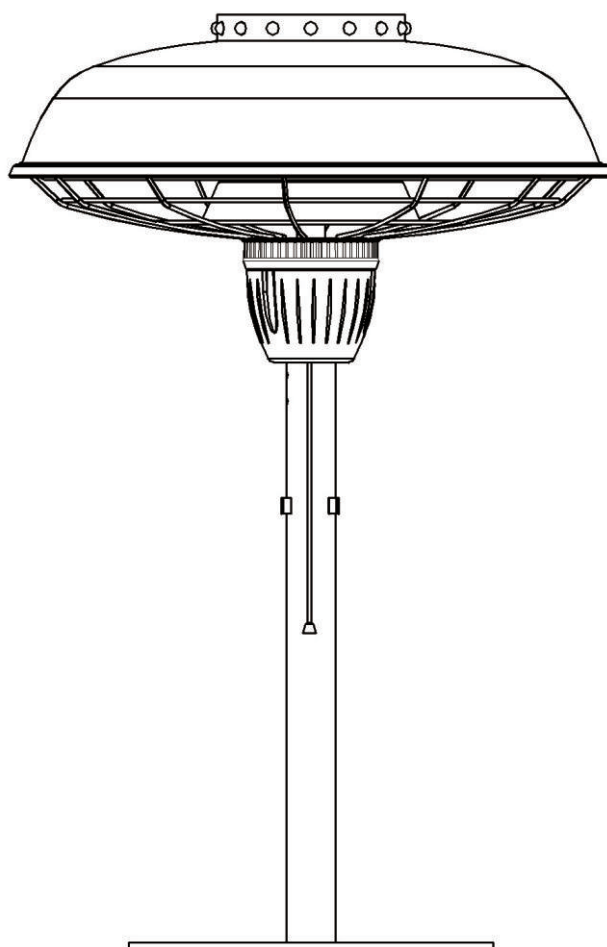


Outsunny

INbza024_UK

842-284V70



**UK
CA** **CE**

EN_IMPORTANT, RETAIN FOR FUTURE REFERENCE: READ CAREFULLY.

**FR_IMPORTANT: A LIRE ATTENTIVEMENT ET À CONSERVER POUR CONSULTATION
ULTÉRIEURE.**

ES_IMPORTANTE, LEA Y GUARDE PARA FUTURAS REFERENCIAS.

DE_WICHTIG! SORGFÄLTIG LESEN UND FÜR SPÄTER NACHSCHLAGEN AUFBEWAHREN.

**IT_IMPORTANTE! CONSERVARE IL PRESENTE MANUALE PER FUTURO RIFERIMENTO E
LEggerlo ATTENTAMENTE.**

IMPORTANT INSTRUCTIONS

Only use the halogen heater on a flat and even surface, where all feet on the base touch the floor. If the heater tilts or falls, the auto cut off switch will activate.

Under guided supervision, this appliance can be used by children aged eight years and above, provided they understand the potential risks and hazards. Under guided supervision, the appliance can be used by persons with disabilities or persons without experience, provided they understand the potential risks and hazards.

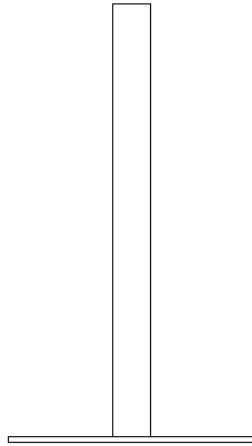
Children must be supervised, ensuring they do not play with this appliance.

1. Place the heater outside or in a large open area, away from flammable materials such as branches, curtains and furniture (a minimum distance of 1m).
 2. Do not use in unventilated areas.
 3. Do not use where gas, petrol, paint or other inflammable items are stored.
 4. Do not push any items through, obstruct or cover the grill of the heater head.
 5. When turned on, do not leave unattended, especially when children and pets are nearby.
 6. The different position of switches must be visible from 1m away.
 7. The markings concerning covering must be visible after installation. Do not place on the back of portable heaters.
 8. The unit must be securely placed on a flat and even surface.
 9. The unit gets hot during use. When turned off, the unit remains hot for a short period. Wait until it has completely cooled down before touching.
 10. Do not place the unit near curtains or other flammable materials – this is a fire hazard.
 11. Do not cover the unit when in use. Wait until it has completely cooled down before covering.
 12. Do not wrap the power supply cord around the unit.
 13. Handle the unit with care – do not hit or drop.
 14. The unit must be securely grounded during operation.
 15. When assembling, keep away from flammable materials.
 16. The unit is hot during use. Before cleaning, unplug and wait until it has cooled down.
 17. Do not use this unit in places where there is dust, steam, gas, etc.
 18. Do not use this unit to dry clothes, towels or other fabrics.
 19. Do not use this unit as a sauna.
 20. Do not immerse this unit in water when cleaning.
 21. The unit should be plugged into a socket, which is easily visible and reachable.
 22. When turned on, there may be two dark points on the surface for the first few minutes. This is normal – it will not affect the performance of the unit.
 23. Small children should be kept away unless continuously supervised.
 24. Children from three years and less than eight years, shall only switch on/off the appliance, provided it has been placed in its intended position and they have been given supervision or instruction concerning the use of the appliance, understanding the hazards involved. Small children must not plug in, regulate, clean or maintain this appliance.
- CAUTION!** Some parts of this product can become very hot – do not touch to avoid scalding.
25. If the power supply cord is damaged, it must be replaced by an authorised agent or qualified professional to avoid danger.

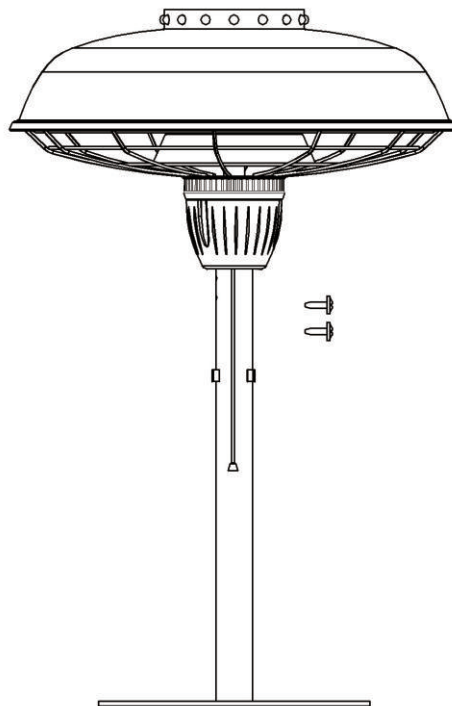
Particular attention must be given where children and vulnerable people are present.

Assembling Process

Step 1: Fix the bottom tube onto the base.



Step 2: Fix the heater using two $\Phi 3.5 \times 14$ screws.



Step 3: Fix the power cord onto the slots.



Operation

Connect the power cable to a 13 amp supply, which is in a safe and dry location.

- Pull the switch cord once – the heater will turn on (900w).
- Pull the switch cord twice – the heater will turn on (2100w).
- Pull the switch cord three times – the heater will turn off.

- Do not use when raining or in wet conditions.
- When not in use, unplug the heater.

MAINTENANCE

Unplug the unit and let it cool down completely.

- Clean the outside of the heater using a soft, damp cloth. You can use a mild detergent if necessary. After cleaning, dry the unit with a soft cloth.

- Do not use alcohol, gasoline, abrasive powders, furniture polish, or rough brushes to clean the heater. This can damage its surface.
- Do not immerse the heater in water for your safety.
- Wait until the unit is completely dry before using.

STORAGE

If not in use for a long period, store in a cool, dry location. To prevent dust and dirt building up, use its original packaging to store the unit.

TROUBLESHOOTING

If the heater is not working, follow these steps before seeking service:

- Ensure the power cord is properly plugged into an electrical outlet.
- Check if the electricity to the main fuse is working.
- Ensure the power switches are on. If not, choose a setting.

WEEE

Waste electrical products should not be disposed of with household waste. Please recycle where facilities exist. Check with your local authority or retailer for recycling advise.



Model	ZHQ2036-BT
Power	2100W
Voltage	220-240 V
frequency	50-60 Hz
Class	I
IP	IP 44