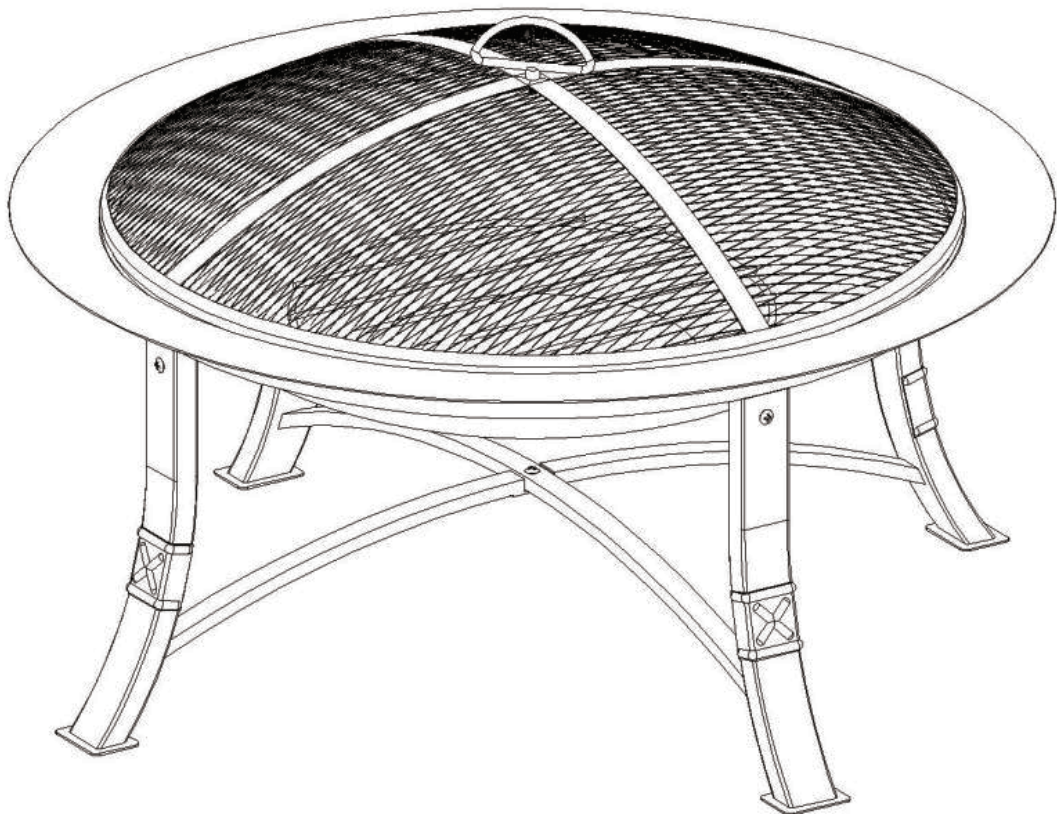




INbzb004V01_UK

842-173



30" STEEL FIRE PIT WITH COPPER PAINTING

IMPORTANT, RETAIN FOR FUTURE REFERENCE: READ CAREFULLY

ASSEMBLY INSTRUCTION

SAFETY WARNINGS AND PRECAUTIONS

- Keep at least 6 feet away from all other articles during use.
 - This fire pit is intended for outdoor use only.
 - To be used to burn wood logs only. **DO NOT** burn coal, leaves, or other combustible materials in the fire pit.
 - Not for use by children. Keep children and pets away from the fire pit.
 - **CAUTION!** Please be careful when handling the fire pit, as the pit will be hot. Do not touch the hot fire pit with bare hands.
 - Never leave the burning fire pit unattended, and always extinguish the fire completely before leaving the fire pit.
 - Do not use near flammable or combustible objects or materials.
 - When the fire pit is in use, the handle on the mesh screen can reach extreme temperatures that can cause serious injury to an unprotected hand. Use a poker or an appropriate heat resistant glove or pad when handling.
 - Check local fire regulations and municipal by-laws for safe and legal use.
 - Some parts may have sharp edges. Wear protective gloves if necessary.
 - The metal may become extremely hot during and after use. Do not touch the metal or try to move the unit while hot.
 - Keep children away from the unit while in use until the fire is extinguished and the metal has cooled.
-
- Do not use on wooden surfaces, decks, grass, near walls or flammable articles, or under overhead coverings.
 - Use only the fuel type(s) specified in the instructions. Using other fuel types is dangerous and could cause injury.
 - Do not overload the unit with fuel.

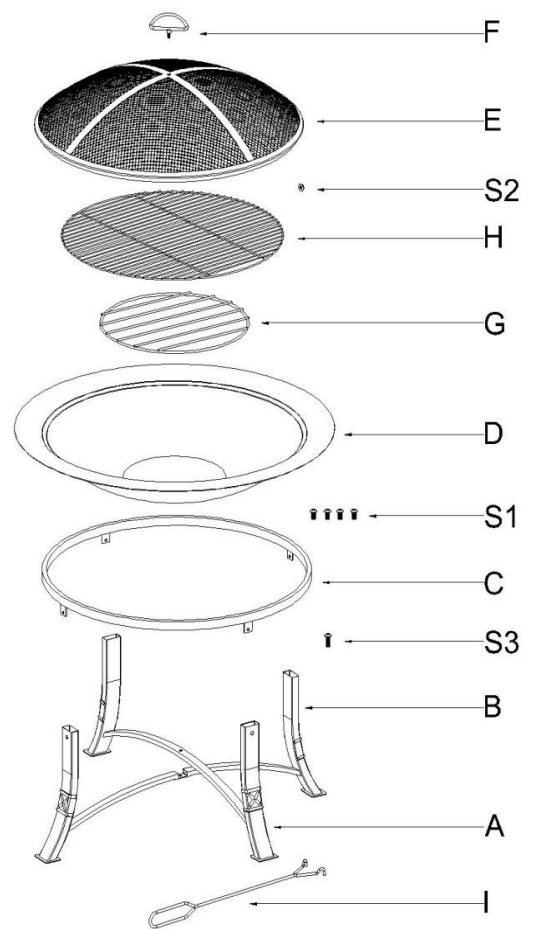
PREPARATION

Before beginning assembly of product, ensure all parts are present. Compare parts with package contents list and hardware contents below. If any part is missing or damaged, do not attempt to assemble the product. Return the product to the point of purchase.

Estimated Assembly Time: 10 minutes.

FIRE PIT PARTS LIST

No.	PARTS	Qty
A	Leg	1
B	Leg	1
C	Ring	1
D	Bowl	1
E	Mesh Wire Cover	1
F	Handle	1
G	Wood grate	1
H	Cooking grill	1
I	Poker	1

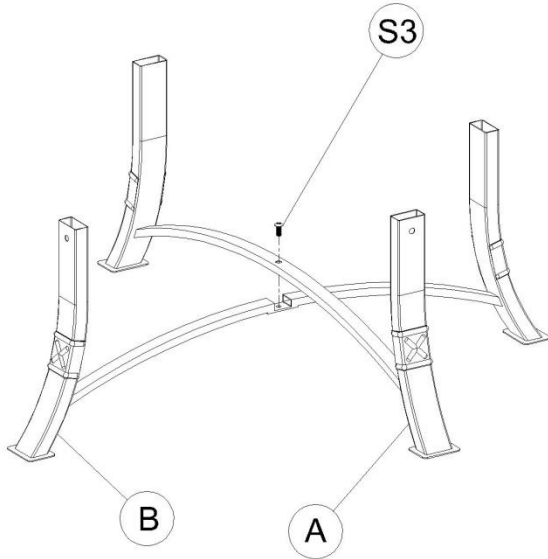


HARDWARE LIST

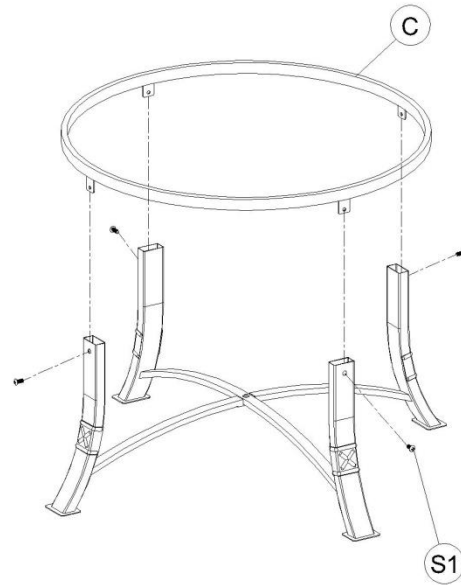
No.	Hardware	Qty
S1	M6 x 12mm Bolts	4
S2	M6 Nut	1
S3	M6 x 18mm Bolts	1

Step-By-Step Assembly Instructions:

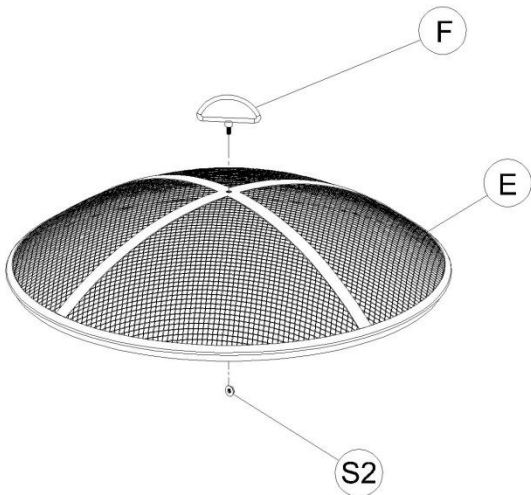
Step 1:



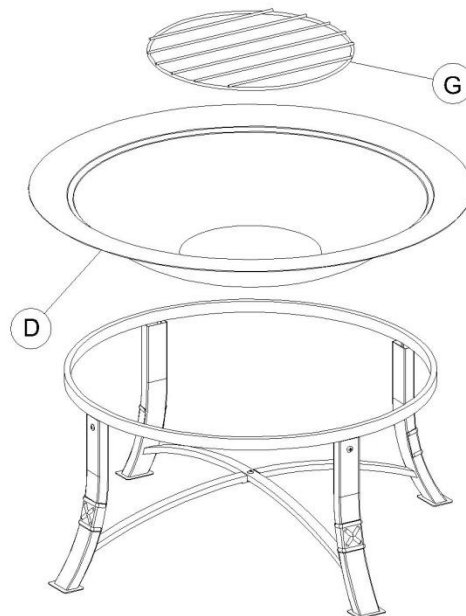
Step 2:



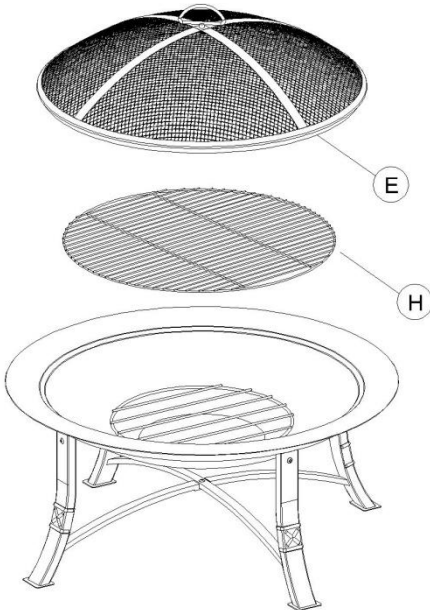
Step 3:



Step 4:



Step 5:



Step 6:

