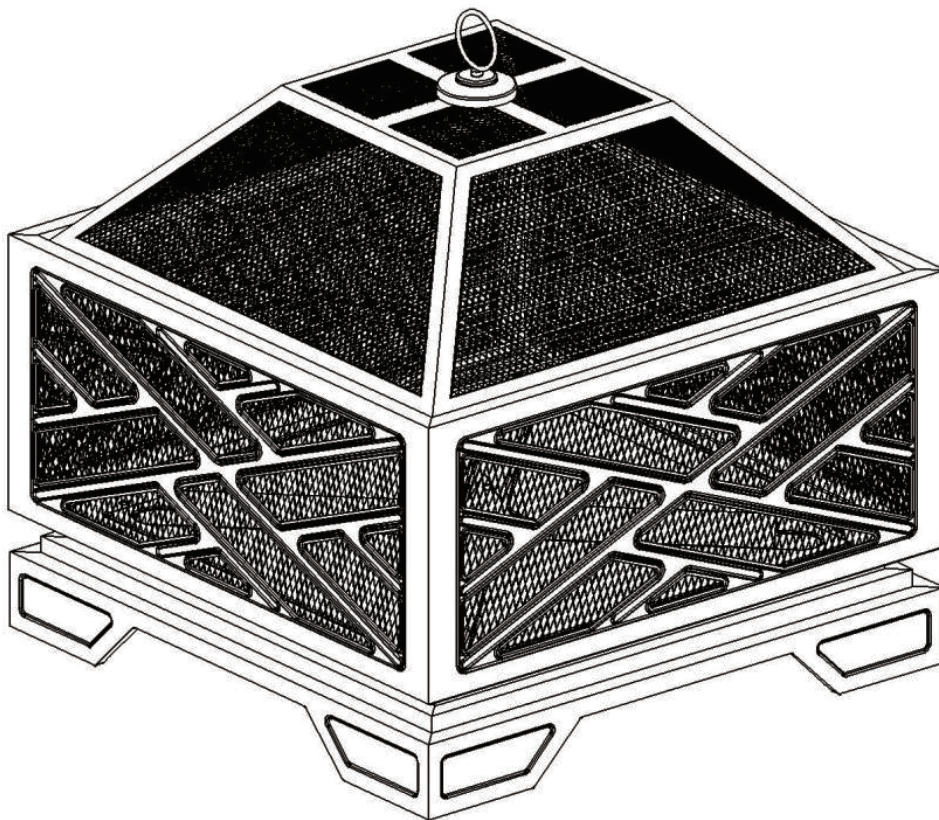




INbzb006V02\_UK\_US

842-174



Square Steel Fire Pit 26"

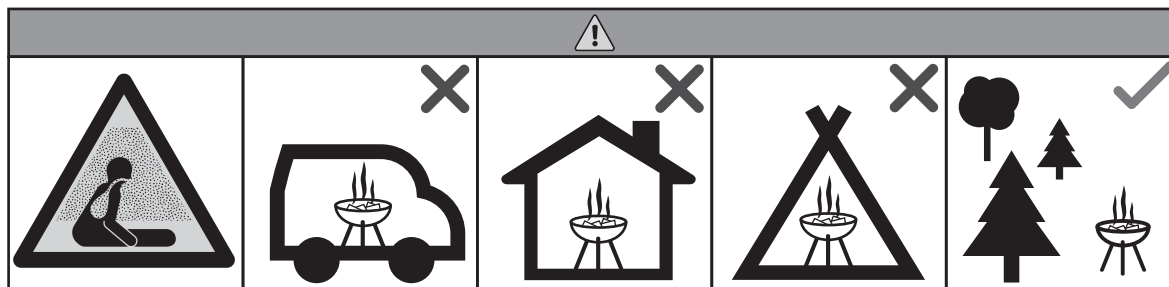
IMPORTANT, RETAIN FOR FUTURE REFERENCE: READ CAREFULLY

ASSEMBLY INSTRUCTION

# IMPORTANT SAFEGUARDS



## READ ALL INSTRUCTIONS BEFORE USE.



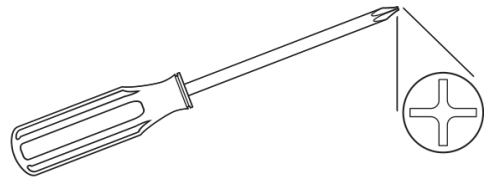
- The barbecue shall be heated up and the fuel kept red hot for at least 30 min prior to the first cooking.
- Do not use this product indoors or in enclosed areas (e.g., tents) even if ventilation is provided, and do not store the product indoors with freshly used coals; burning charcoal releases carbon monoxide, which is toxic to humans and animals.
- DO NOT use near flammable or combustible objects or materials.
- Do not cook before the fuel has a coating of ash.
- The barbecue shall be heated up and the fuel kept red hot for at least 30min prior to the first cooking.
- WARNING! This barbecue will become very hot, do not move it during operation.
- Do not use indoors!
- WARNING! Do not use spirit or petrol for lighting or re-lighting!
- Use only firelighters complying to EN 1860-3!
- WARNING! Keep children and pets away.
- The maximum amount of charcoal shall not exceed 15kg.
- Keep out of the reach of children and pets. Extra caution is necessary when using this product near children.
- Do not use this product if you are under the influence of alcohol or prescription/non-prescription drugs, as these substances may impair your ability to safely use the product.
- Do not leave the product unattended while it is in use.
- Do not move the product while it is in use or hot; allow the product to cool completely before handling.
- Ensure the product is fully and securely assembled before each use.
- Keep hair, clothing, and jewelry away from the coals when lighting and away from flames.
- Do not touch hot surfaces; always wear protective, heat-resistant mitts/gloves when using this product.
- Do not use this product on or near recreational vehicles or boats.
- Do not insert use paper, cardboard, or similar material into the flames or coals.
- Do not repair or repaint the product; discard if damaged.
- Do not build large fires in this product; it is intended for small fires only.
- Always place the product on a flat, level, stable, heat-resistant surface.
- When the appliance is in use, the handle can reach extreme temperatures that can cause serious injury to an unprotected hand. Use an appropriate heat resistant glove or pad when handling.
- The necessity for maintaining proper clearances from combustible construction is 10 feet (3 M).., which is the specific minimum clearances from such construction to the sides and back of the outdoor appliance, and that the appliance shall not be used under overhead combustible construction.
- This product is intended solely for outdoor, non-commercial use in cooking foods for human consumption; do not use for any other purpose.
- Do not use water to extinguish coals or cool the product.
- Do not use attachments not recommended or sold by the product manufacturer.
- Always use heat-resistant utensils with the product.

## PREPARATION

Before beginning assembly of product, make sure all parts are present. Compare parts with package contents list and hardware contents above. If any part is missing or damaged, do not attempt to assemble the product. Contact customer service for replacement parts.

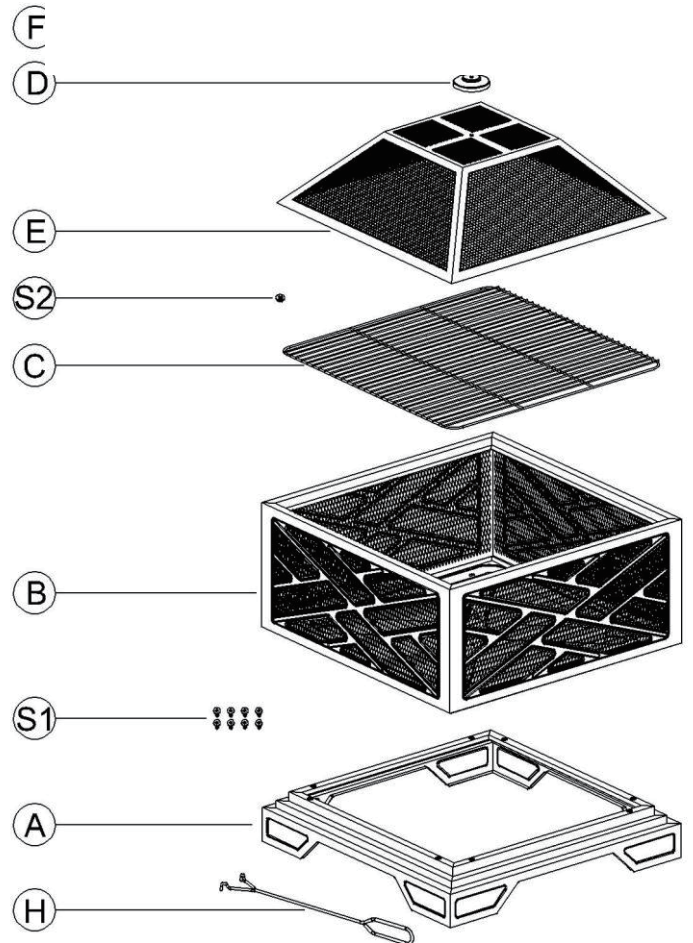
**Estimated Assembly Time: 10 minutes.**

Tools Required for Assembly: M6 Wrench (Not Included) and Phillips Screwdriver (Not Included)



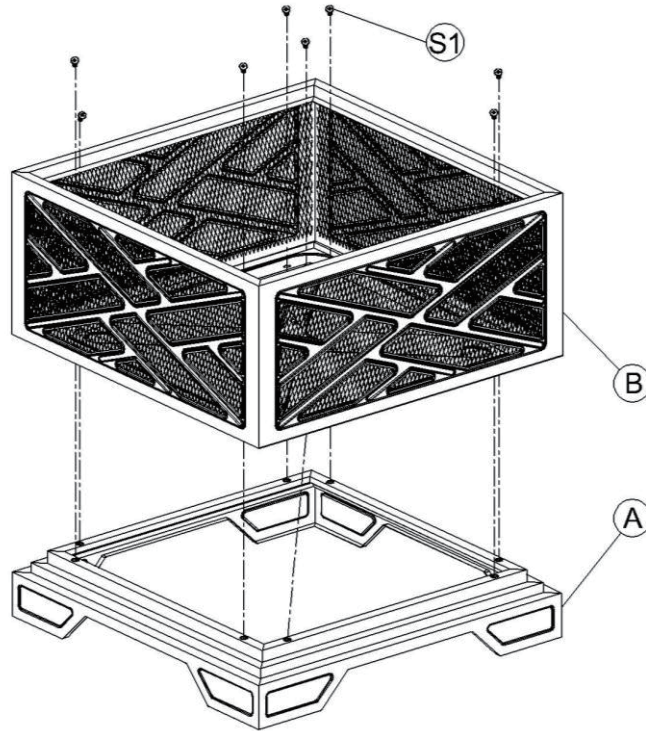
## PACKAGE CONTENTS

PART	DESCRIPTION	QTY
A	Base	1
B	Bowl	1
C	Cooking grill	1
D	Poker Bracket Base	1
E	Spark Screen	1
F	Poker Bracket	1
H	Poker	1
S1	M6x12mm bolt	8+1(spare)
S2	M6 nut	1

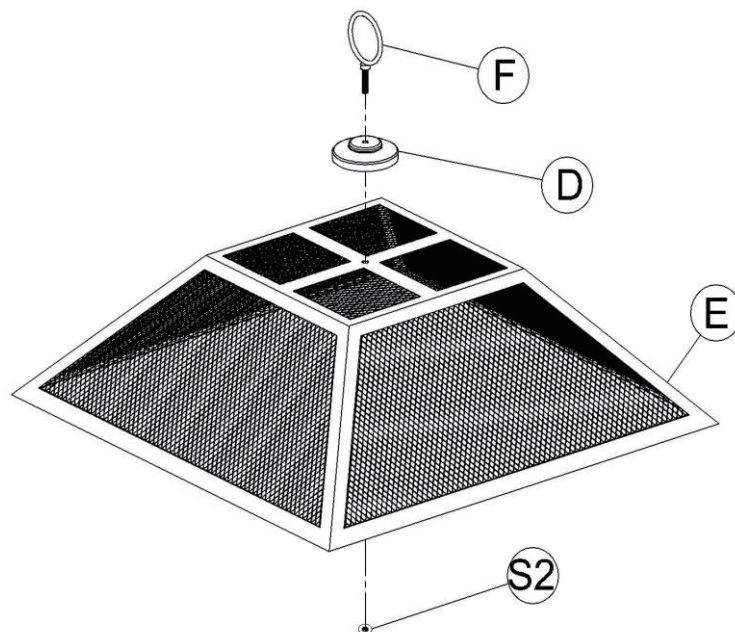


## ASSEMBLY INSTRUCTIONS

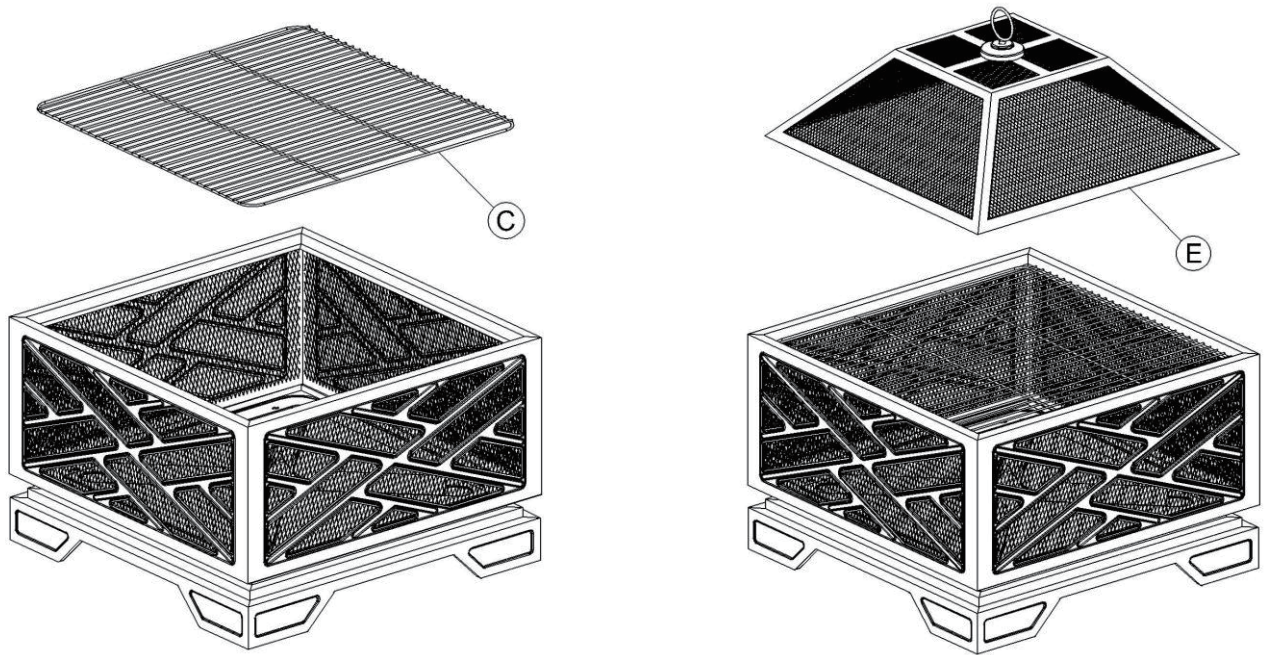
**Step 1: Attach Fire bowl (B) to Base (A) using eight M6 x 12mm Bolts (S1).**



**Step 2: Insert the poker bracket (F) into the poker bracket base (D) and then through the hole in the spark screen (E). Use the wrench (not included) to secure one M6 nut (S2) to the underside of the spark screen (E).**



**Step 3: Place the cooking grid (C) into fire bowl, and place the spark screen (E) onto fire bowl.**



**Step 4: Your fire pit is now ready for use. Please ensure the poker (H) is near the fire pit for use anytime.**

