



INbzb011_GL

842-215

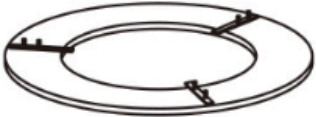


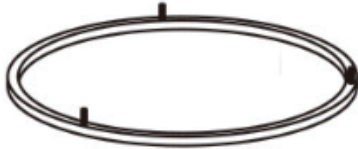
IMPORTANT, RETAIN FOR FUTURE REFERENCE: READ CAREFULLY

ASSEMBLY INSTRUCTION




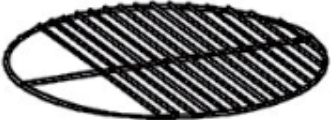
PACKING DETAILS: TOTAL 2 BOXES

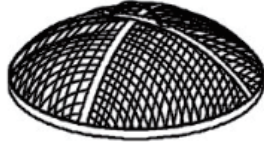



BOX-1/2

NO.	PARTS	QTY
A		1

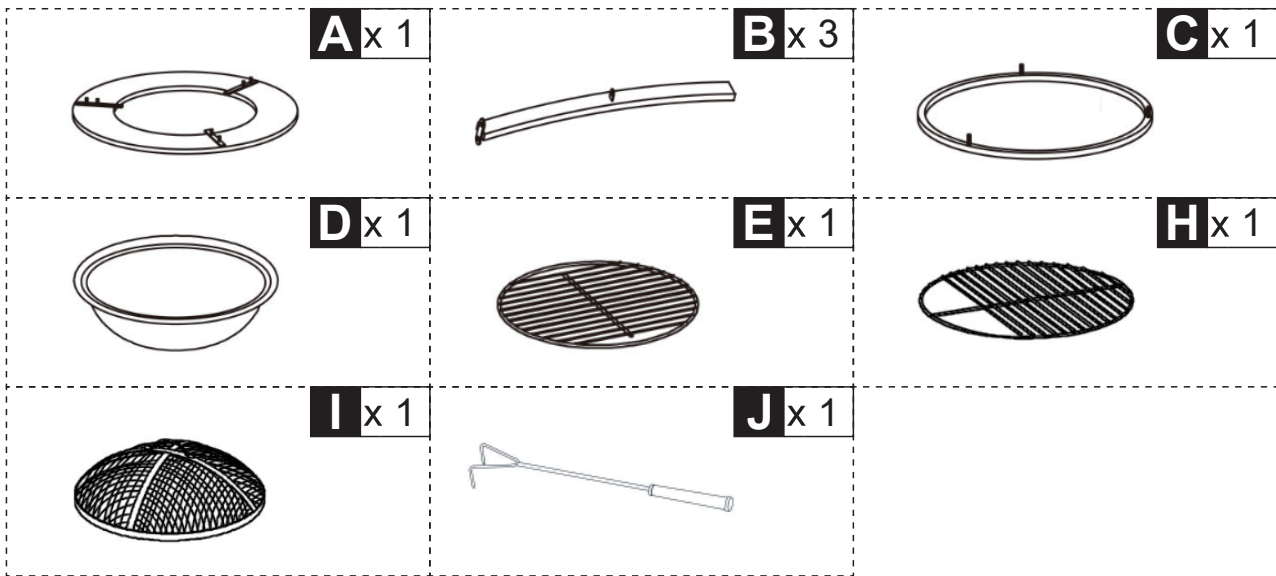
NO.	PARTS	QTY
C		1

BOX-2/2

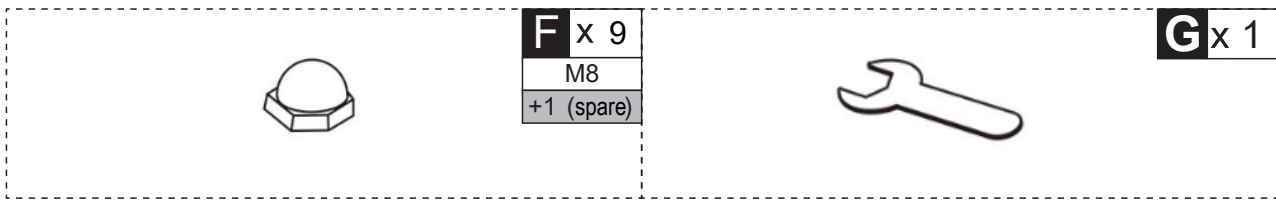
NO.	PARTS	QTY
B		3
D		1
E		1
H		1

NO.	PARTS	QTY
I		1
F		9
G		1
J		1

PARTS



HARDWARE



F x 9
M8

01

