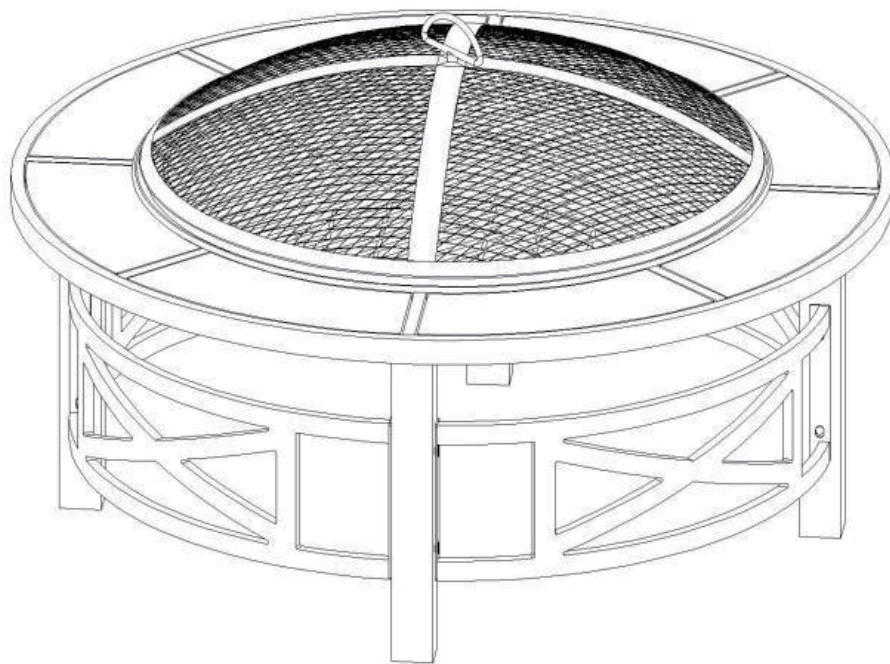




INbzb019_UK

842-229



IMPORTANT, RETAIN FOR FUTURE REFERENCE: READ CAREFULLY

ASSEMBLY INSTRUCTION

WARNINGS:

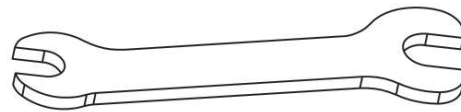
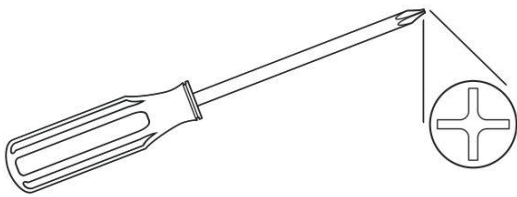
- This fire bowl is intended for outdoor use only. Do not use on wooden decks.
- This fire bowl is intended to burn wood logs only. Do not burn coal, leaves, or other combustible materials in the fire bowl.
- Not for use by children. Keep children and pets away from the fire bowl.
- The fire bowl is hot. Use with caution. Do not touch the hot fire bowl with bare hands.
- Never leave the burning fire bowl unattended, and always extinguish the fire completely before leaving the fire bowl.
- Do not use near flammable or combustible objects or materials.
- When the fire bowl is in use, the handle on the mesh screen can reach extreme temperatures that can cause serious injury to an unprotected hand. Use a poker or an appropriate heat resistant glove or pad when handling.
- Check local fire regulations and municipal by-laws for safe use.
- Some parts may contain sharp edges—especially as noted in the manual. Wear protective gloves if necessary.
- The metal may become very hot during and after use. Do not touch the metal or try to move the unit while hot.
- Keep children away from the unit while in use until the fire is extinguished and the metal has cooled.
- Do not use on a wooden surface, or on grass, near walls or flammable articles, or under overhead coverings.
- Keep at least 2 feet away from all other articles during use.
- Use only the fuel type(s) specified in the instructions. Using other fuel types is dangerous and could cause injury.
- Do not overload the unit with fuel.

PREPARATION

Before beginning assembly of product, make sure all parts are present. Compare parts with package contents list and hardware contents above. If any part is missing or damaged, do not attempt to assemble the product. Contact customer service for replacement parts.

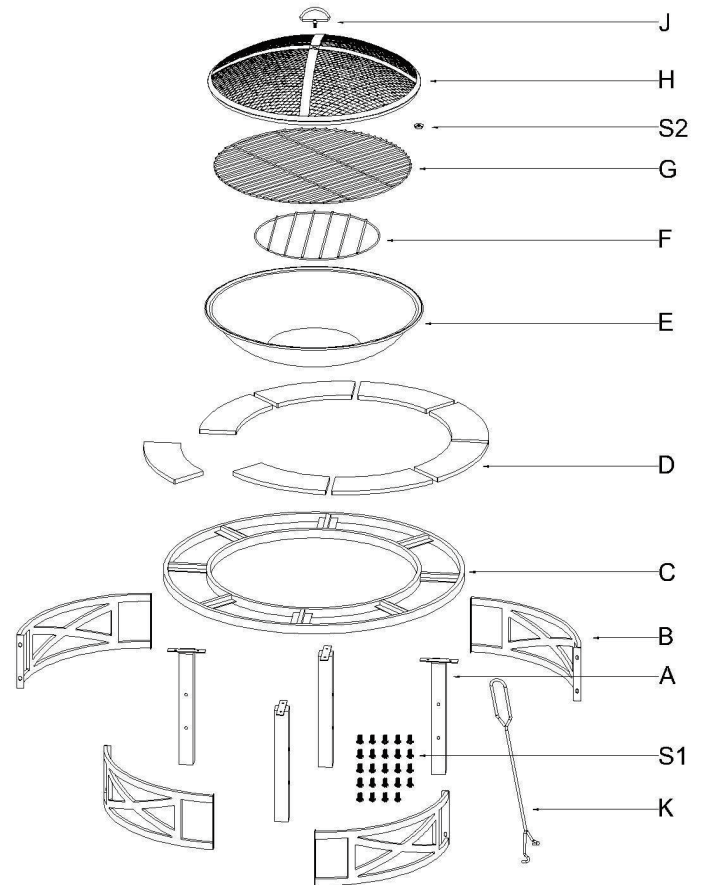
Estimated Assembly Time: 10 minutes.

Tools Required for Assembly: M6 Wrench (Included) and Phillips Screwdriver (Not Included)



FIRE PIT PARTS LIST

No.	PARTS	Qty
A	Legs	4
B	Side Panels	4
C	Table top	1
D	Tile	8
E	Bowl	1
F	Wood grate	1
G	Cooking grill	1
H	Spark screen	1
J	Handle	1
K	Poker	1

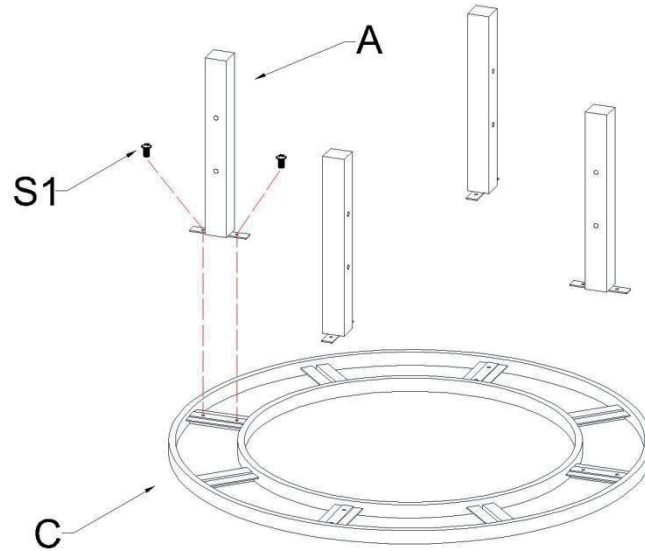


HARDWARE LIST

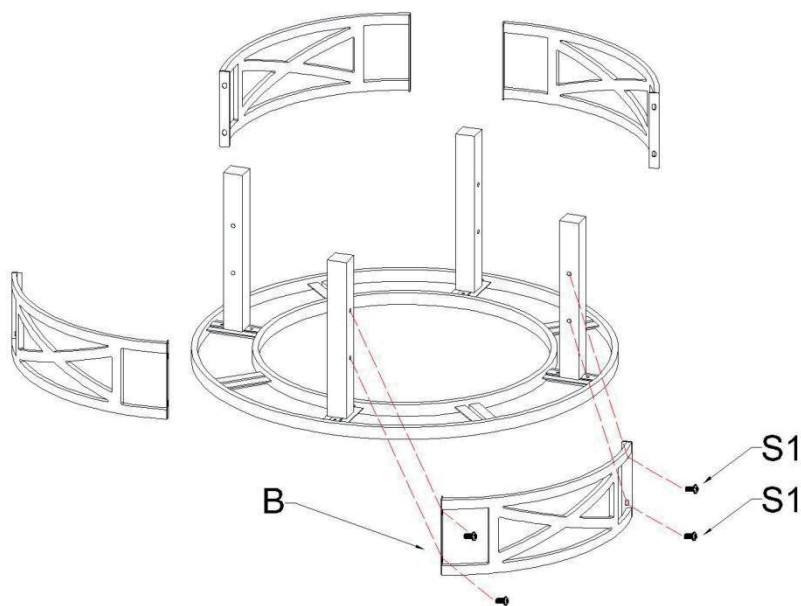
No.	Hardware	Qty
S1	M6 x12 mm Bolt	24
S2	M6 Nuts	1

Step By Step Assembly Instructions:

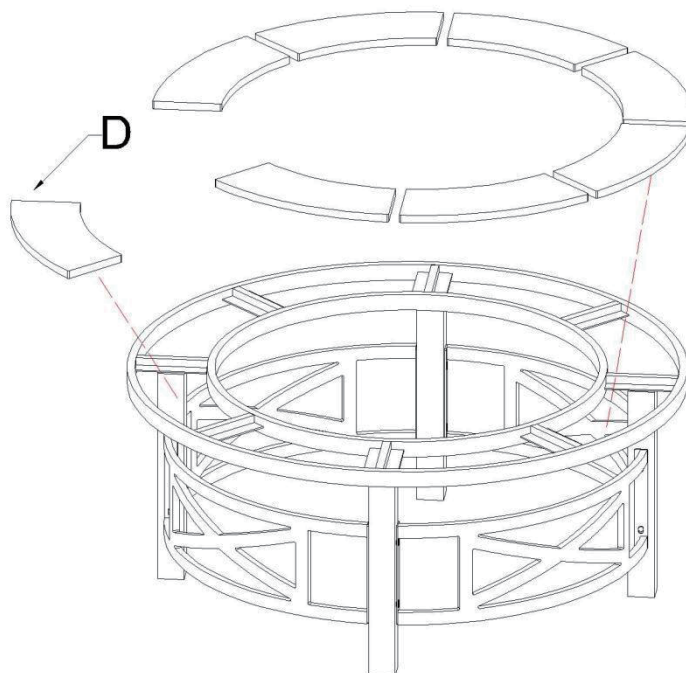
Step1: Attach Legs (A) to Table top (C) using 8pcs M6 x 12mm bolts(S1). Tighten all bolts at this time.



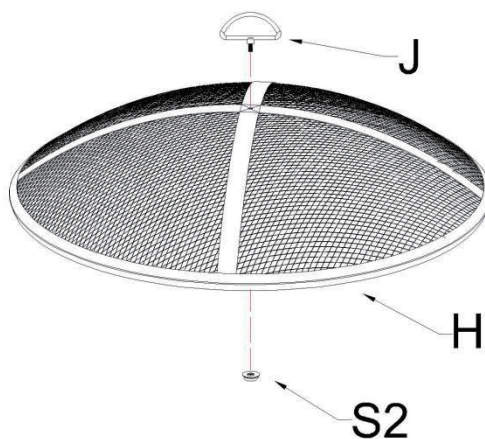
Step2: Attach Side panel (B) to the legs by using 16pcs M6 x 12 MM Bolts (S1). Tighten all bolts with Phillips Screwdriver (Not Included).



Step3: Place the Tile (D) into the table top.



Step4: Attach Handle (J) to Spark screen (H) by using M6 Nut (S2). Tighten nut with Wrench.



Step5: Place Fire bowl (E), Wood Grate (F) and cooking grill (G) into fire pit assembly. Cover with Spark screen (H). Place Poker (K) near fire pit for use as needed.

