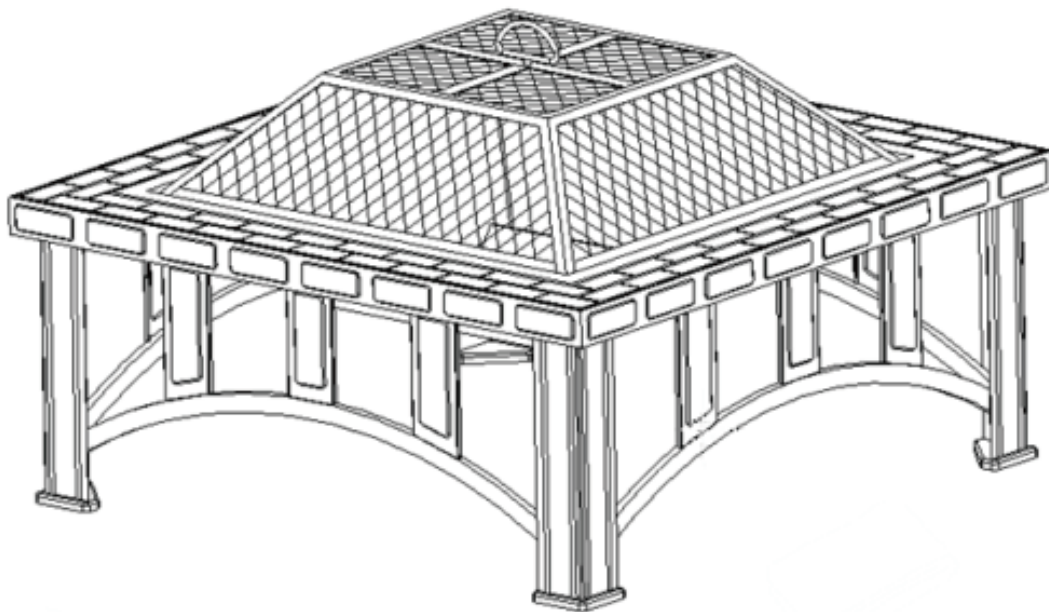




INbzb021_US

842-233

30" Square Firepit



IMPORTANT, RETAIN FOR FUTURE REFERENCE: READ CAREFULLY

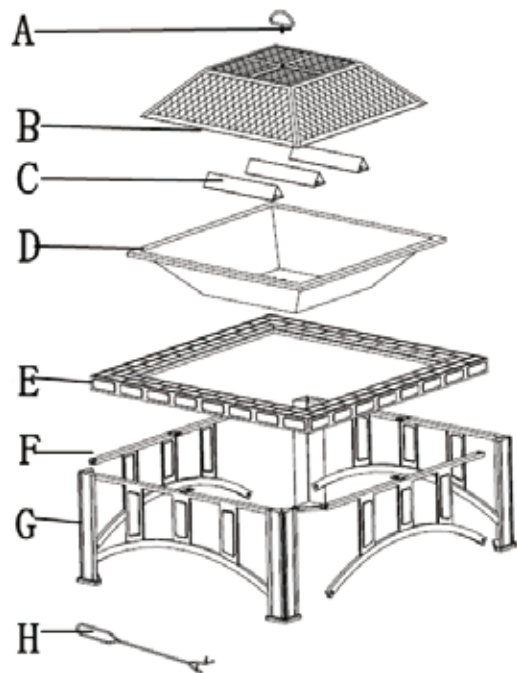
ASSEMBLY INSTRUCTION

1. Warning

- The charcoal fire pit is HOT! DO NOT allow your children to play near it when fire pit is in use.
- To avoid destroying the finish, please handle the surface by using a soft cloth instead of your bare hands.
- Do not touch the surface of iron fire grate and the Fire Bowl while in use. It may cause burns.

2. Part List

NO.	Parts	Qty.
A	Handle	1
B	Mesh Wire Cover	1
C	Air Vents	3
D	Fire Bowl	1
E	Slate Top	1
F	Panel	4
G	Leg B	4
H	Poker	1

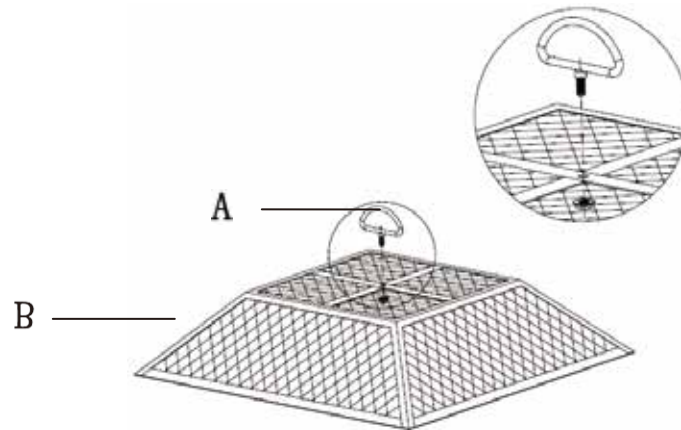


3. Hardware

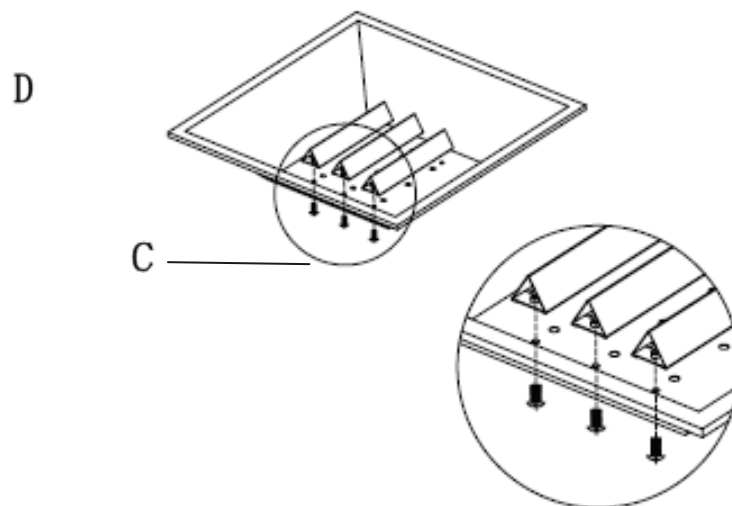
NO.	Hardware	Qty.
AA	M6X20 Bolt	16
BB	M6X12 Bolt	6
CC	M6 Nut	21
DD	Wrench	1

4. Assembly instruction

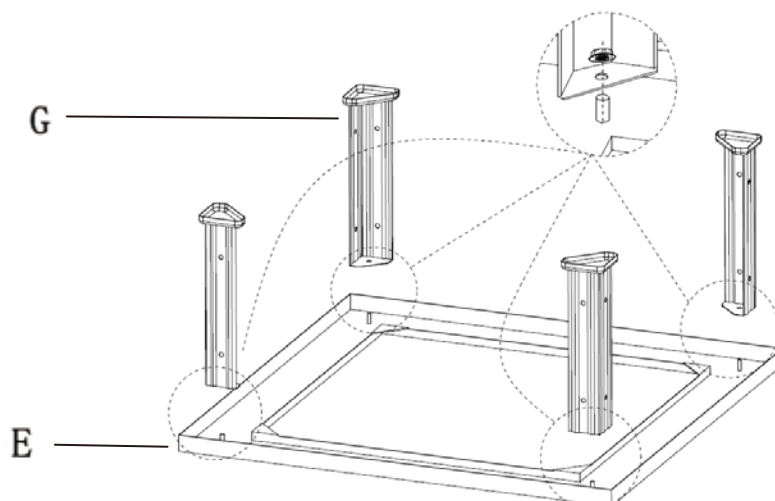
Step1. Attach the Handle(A) to the Spark Guard(B),using M6 Nut(CC)



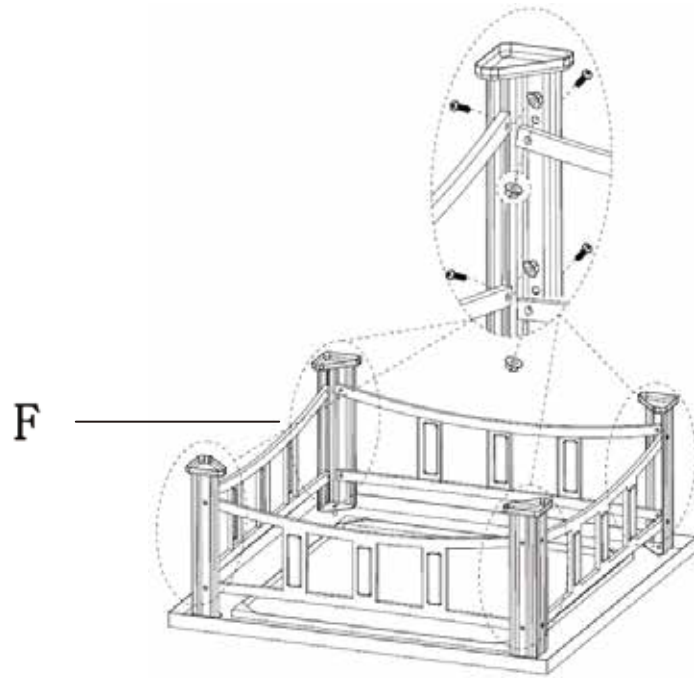
Step2. Attach the Air Vents(C) to the Fire Bowl(D),using M6×12mm(BB).



Step3. Attach Leg B (G) to slate top (E) using M6 nut(CC).



Step4. Put the panel (F) to the Leg (G),using M6*20 bolt(AA) and M6 Nut(C-C),then tighten all nuts by Wrench (DD).



Step6. Upside down the assembled Table Top, place the Fire bowl (D) to the Top, put the Mesh Wire Cover (B) to the assembled Fire bowl..Now your fire pit is ready for use! To extend the life of your fire pit, clean it after each use and cover to protect it.

