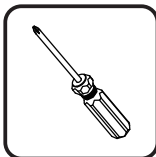
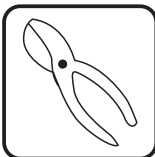
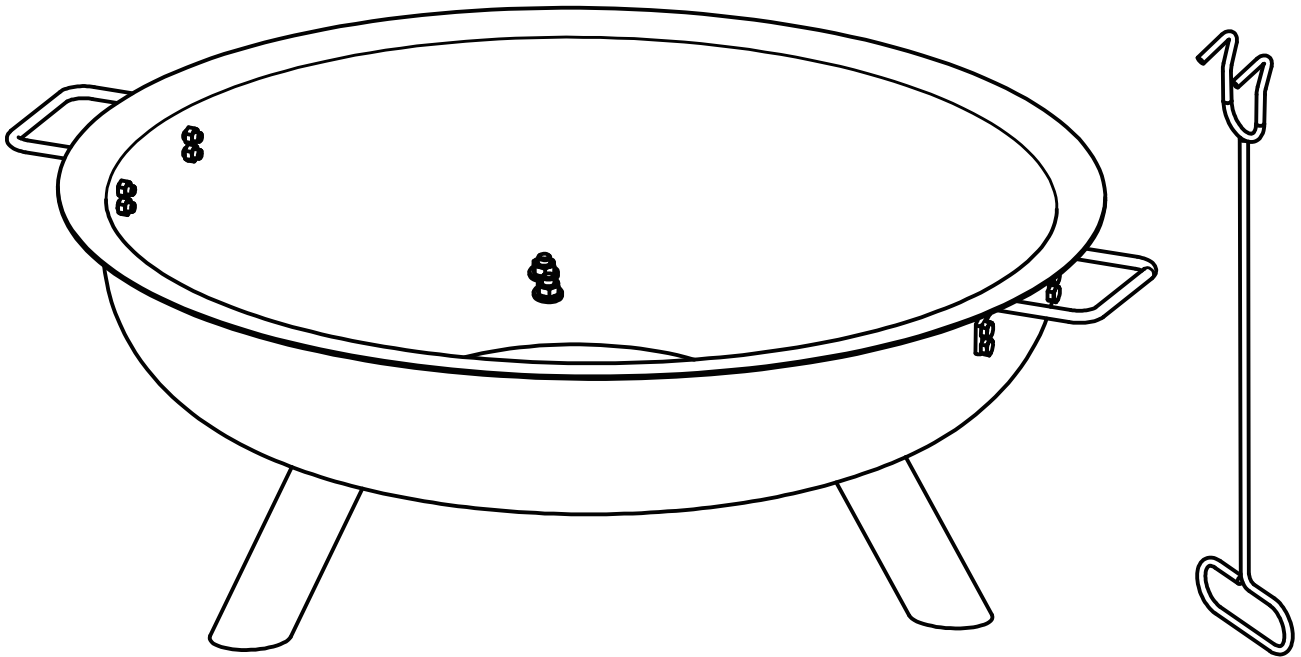




INbzb036_GL

842-241_842-241V01

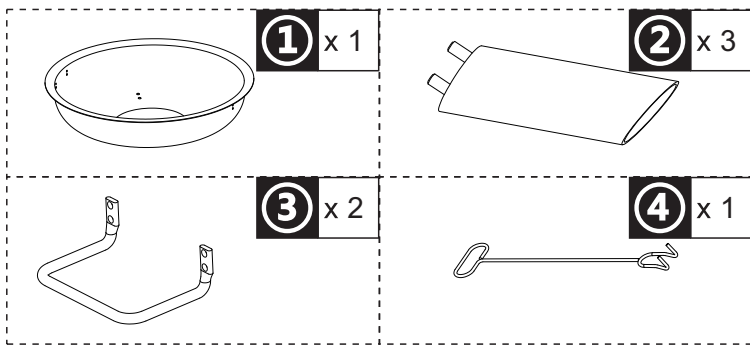


IMPORTANT, RETAIN FOR FUTURE REFERENCE: READ CAREFULLY

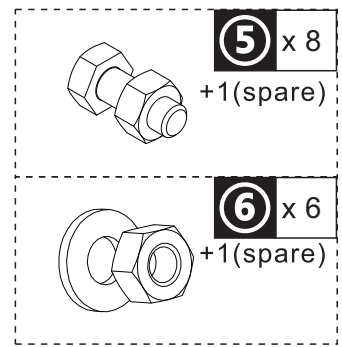
Tools Recommended

ASSEMBLY & INSTRUCTION MANUAL

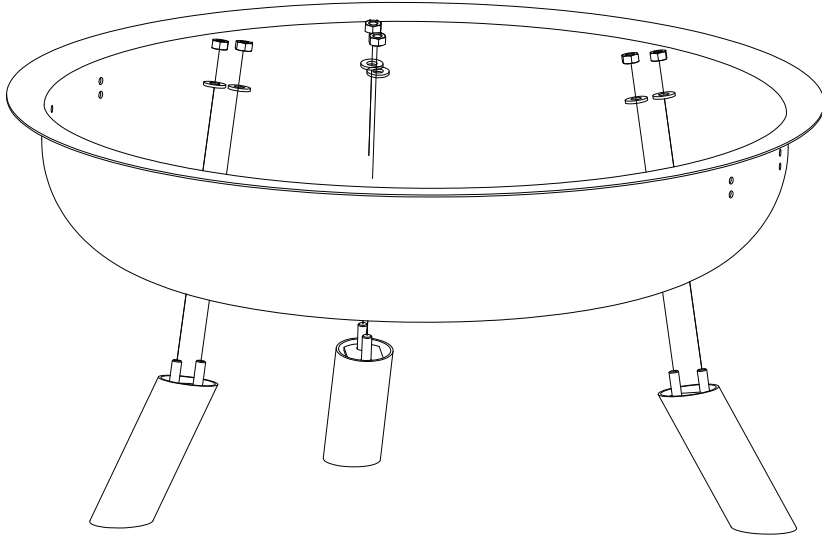
PARTS



HARDWARE

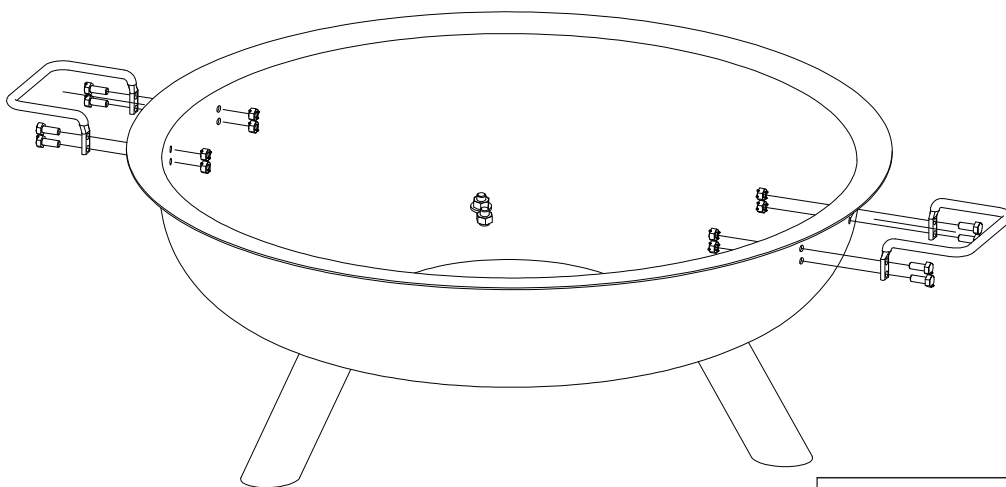


01



	1
	3
	6

02



	2
	8