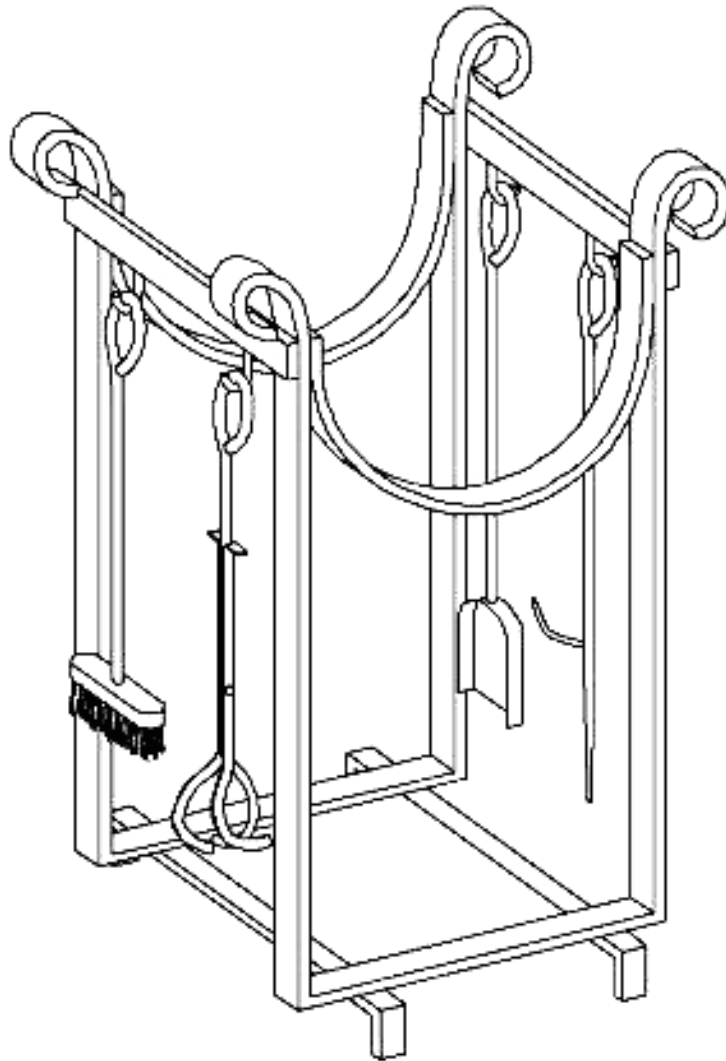




INbzc006_GL

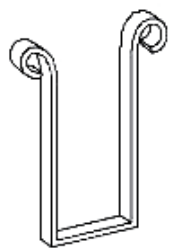
842-203



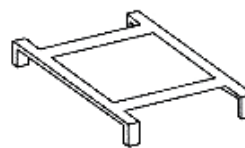
IMPORTANT, RETAIN FOR FUTURE REFERENCE: READ CAREFULLY

ASSEMBLY & INSTRUCTION MANUAL

PARTS



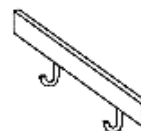
A x02



B x01



C x02



D x02



E x01



F x01



G x01



H x01

HARDWARE

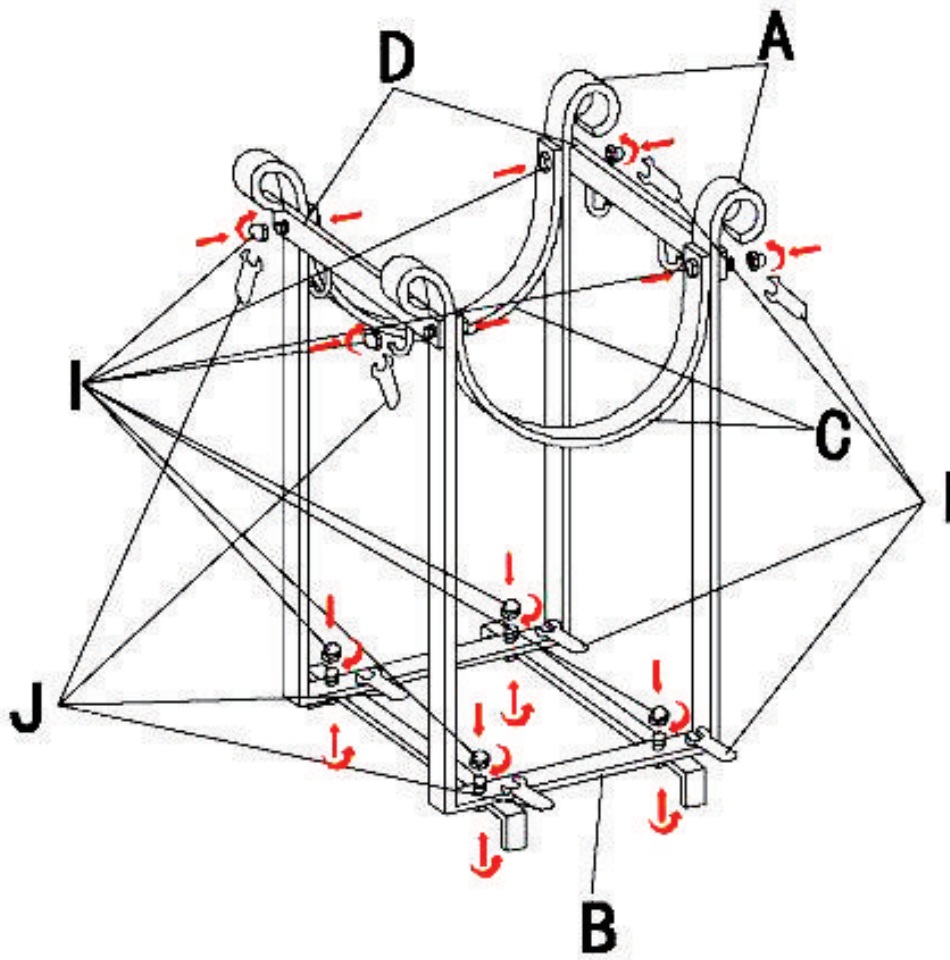


I x08
+1(spare)

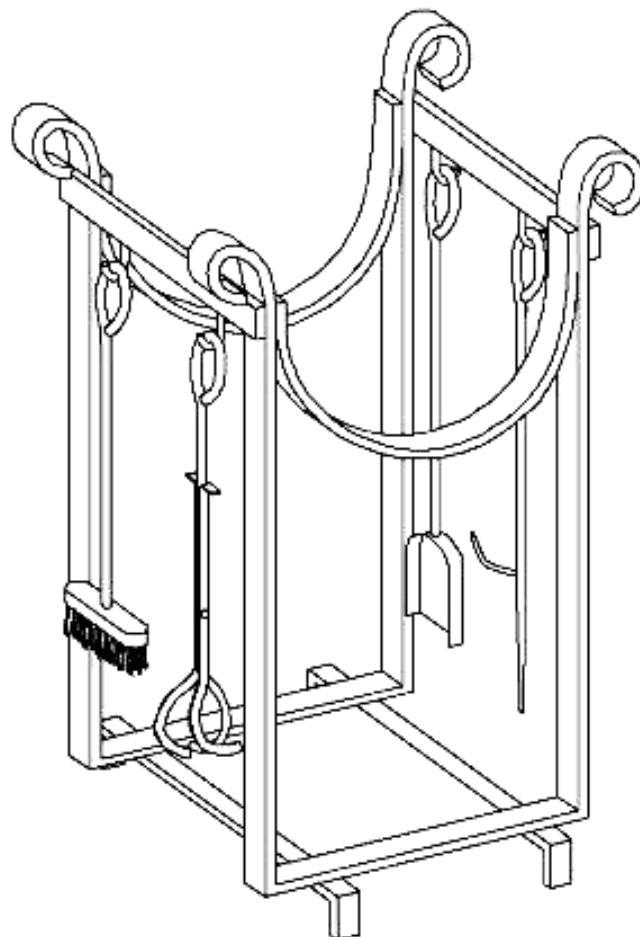


J x01

01



02



Done