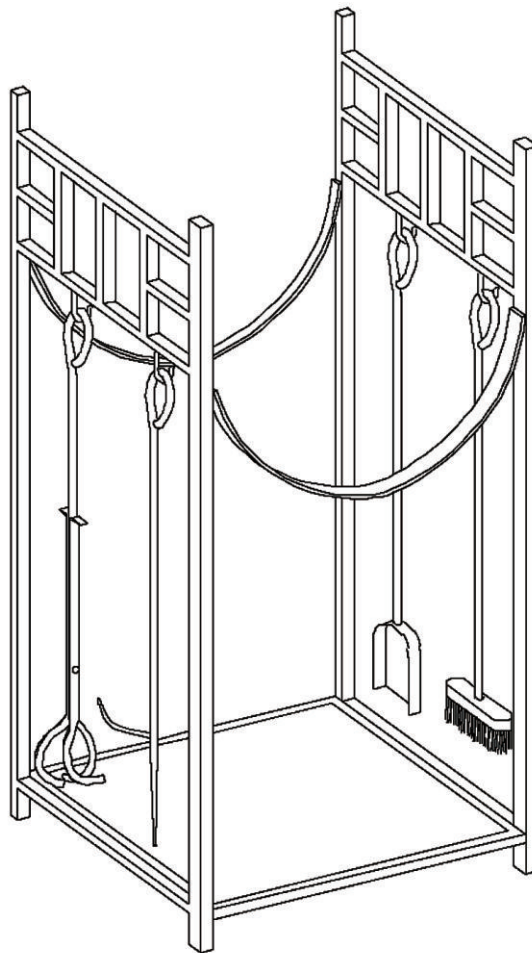




INbzc007_GL

842-204



IMPORTANT, RETAIN FOR FUTURE REFERENCE: READ CAREFULLY

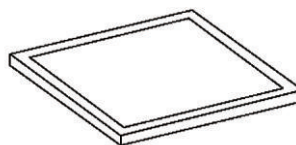
ASSEMBLY & INSTRUCTION MANUAL

PARTS

A x02



B x01



C x02



D x01



E x01



F x01

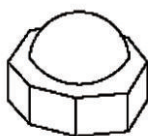


G x01

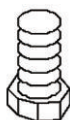


HARDWARE

H x04



I x08
+1(spare)



J x01

