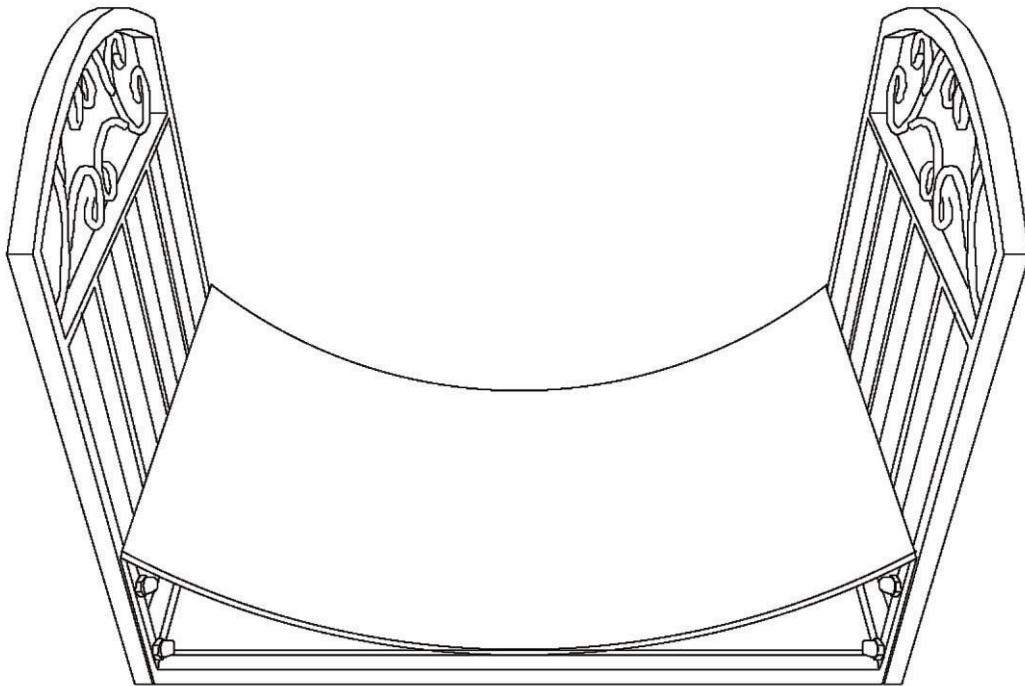




INbzc011\_GL

**842-208**



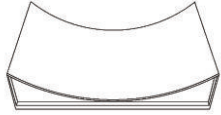
**IMPORTANT, RETAIN FOR FUTURE REFERENCE: READ CAREFULLY**

# ASSEMBLY & INSTRUCTION MANUAL

**PARTS**



**A** x02



**B** x01

**HARDWARE**

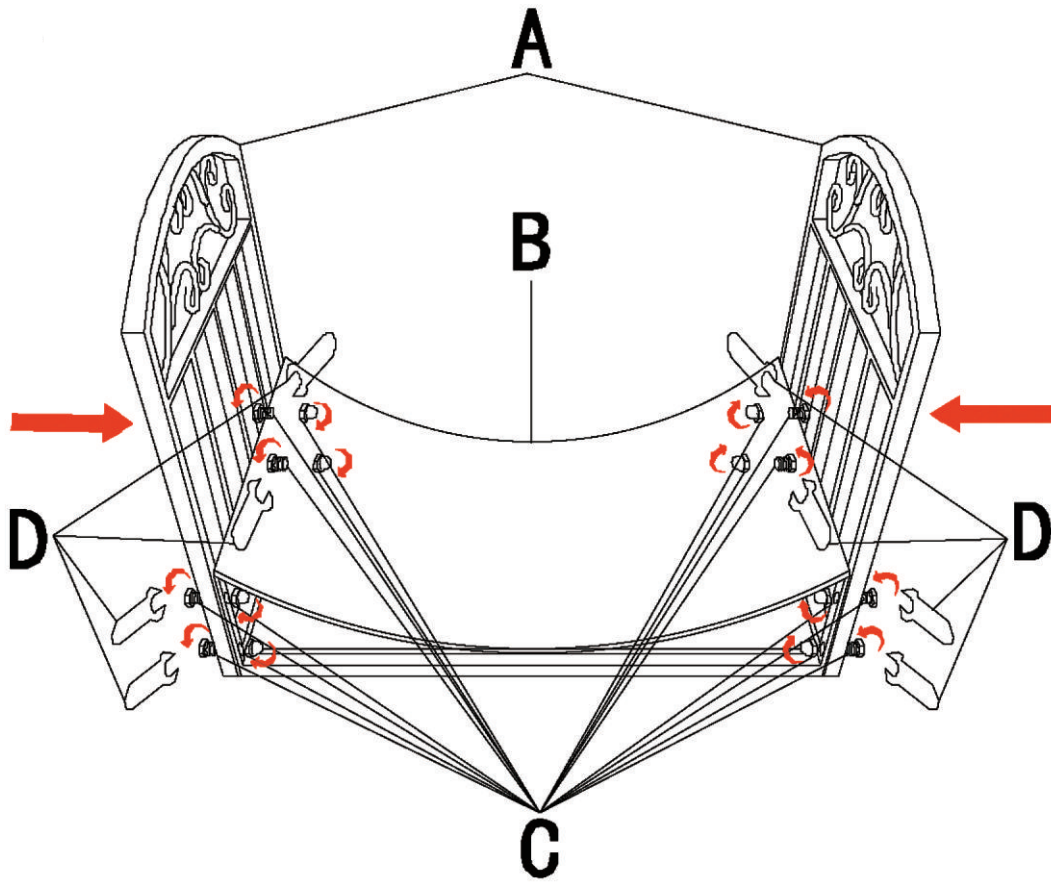


**C** x08  
+1(spare)

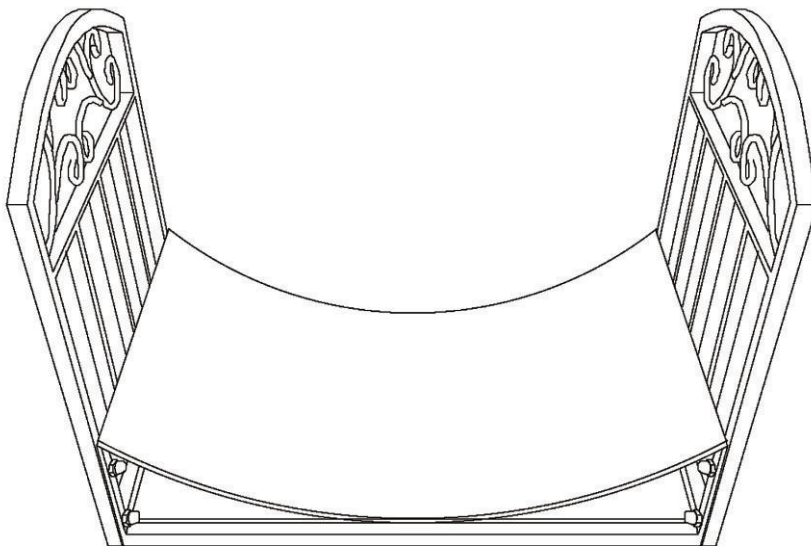


**D** x01

**01**



**02**



**Done**