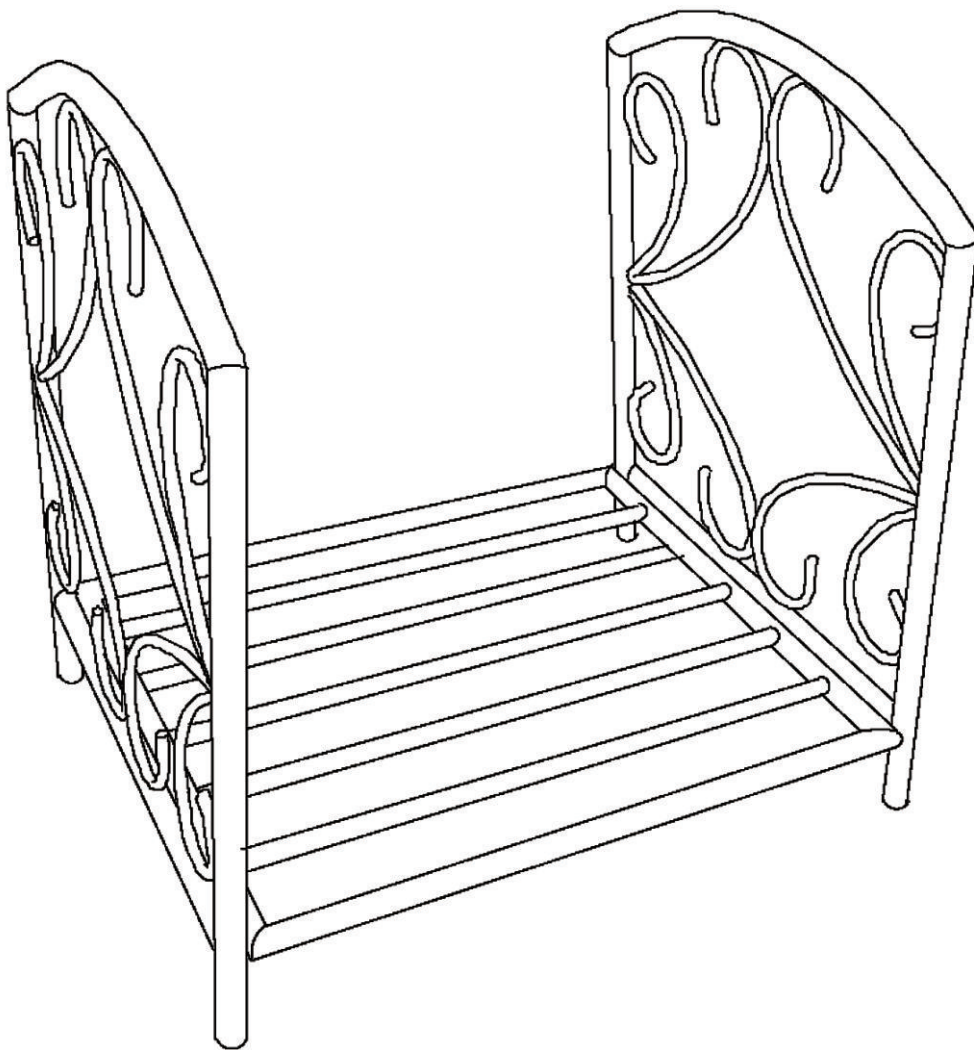




INbzc013_GL

842-210



IMPORTANT, RETAIN FOR FUTURE REFERENCE: READ CAREFULLY

ASSEMBLY & INSTRUCTION MANUAL

PARTS

A x02



B x01



HARDWARE

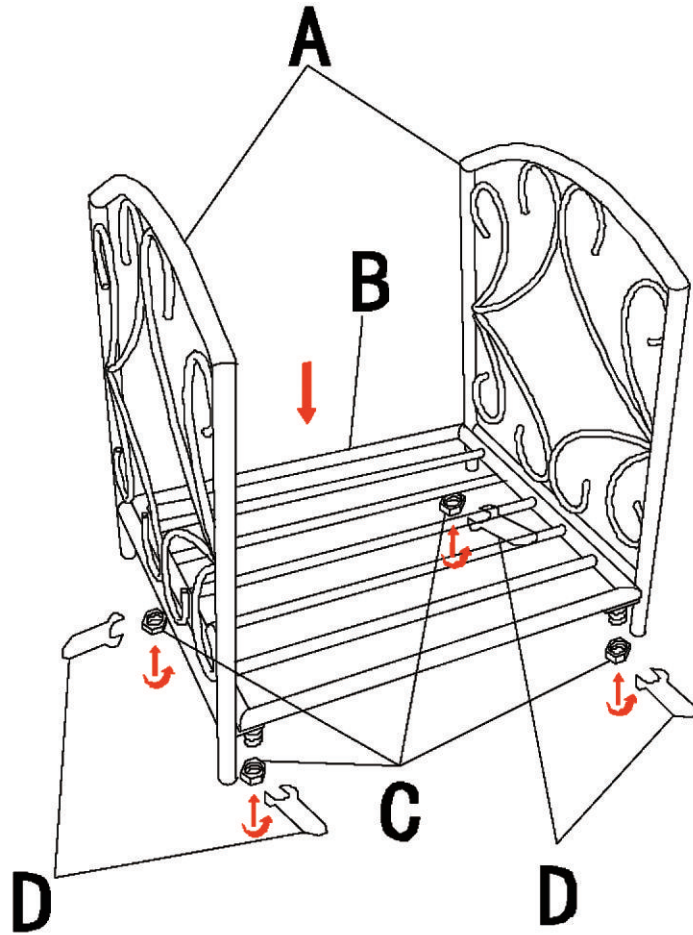
C x04



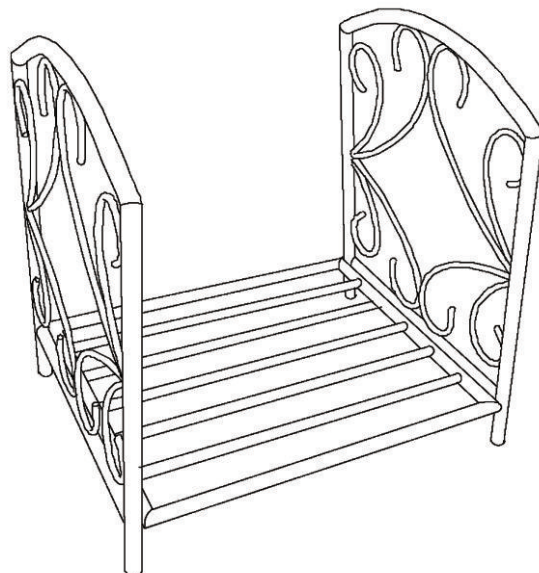
D x01



01



02



Done