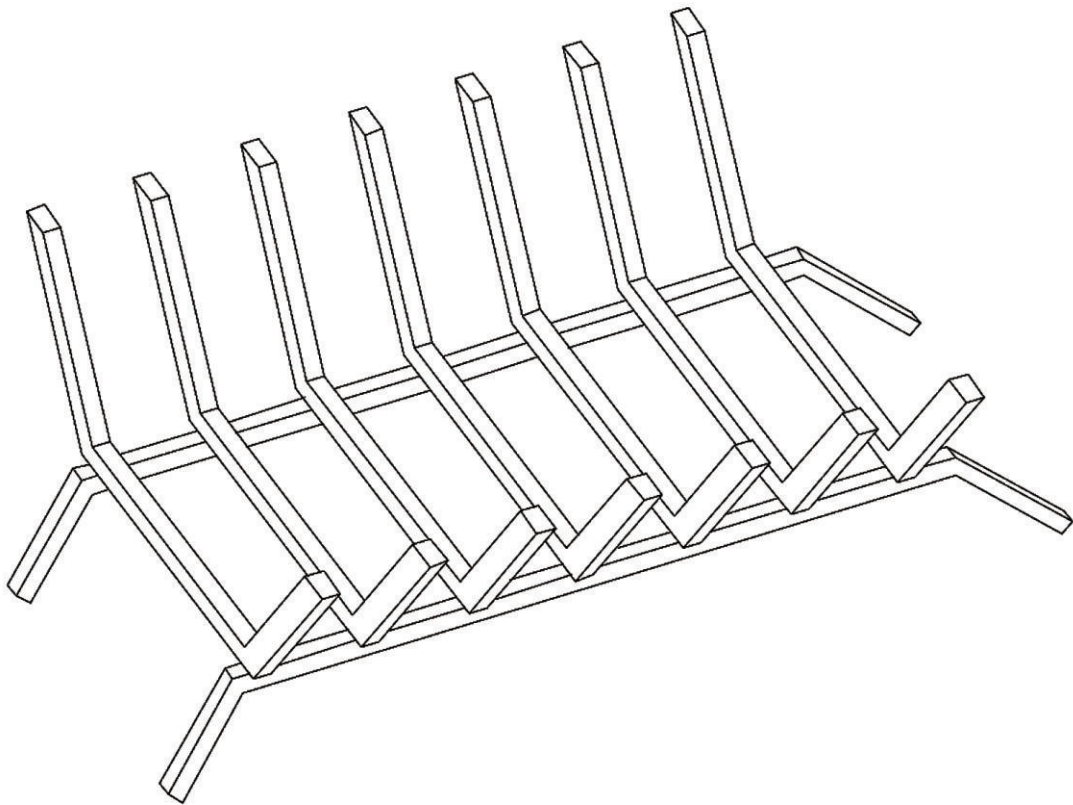




INbzc014\_GL

842-211



IMPORTANT, RETAIN FOR FUTURE REFERENCE: READ CAREFULLY

# ASSEMBLY & INSTRUCTION MANUAL

**PARTS**

**A** x01

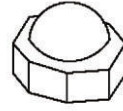


**B** x02



**HARDWARE**

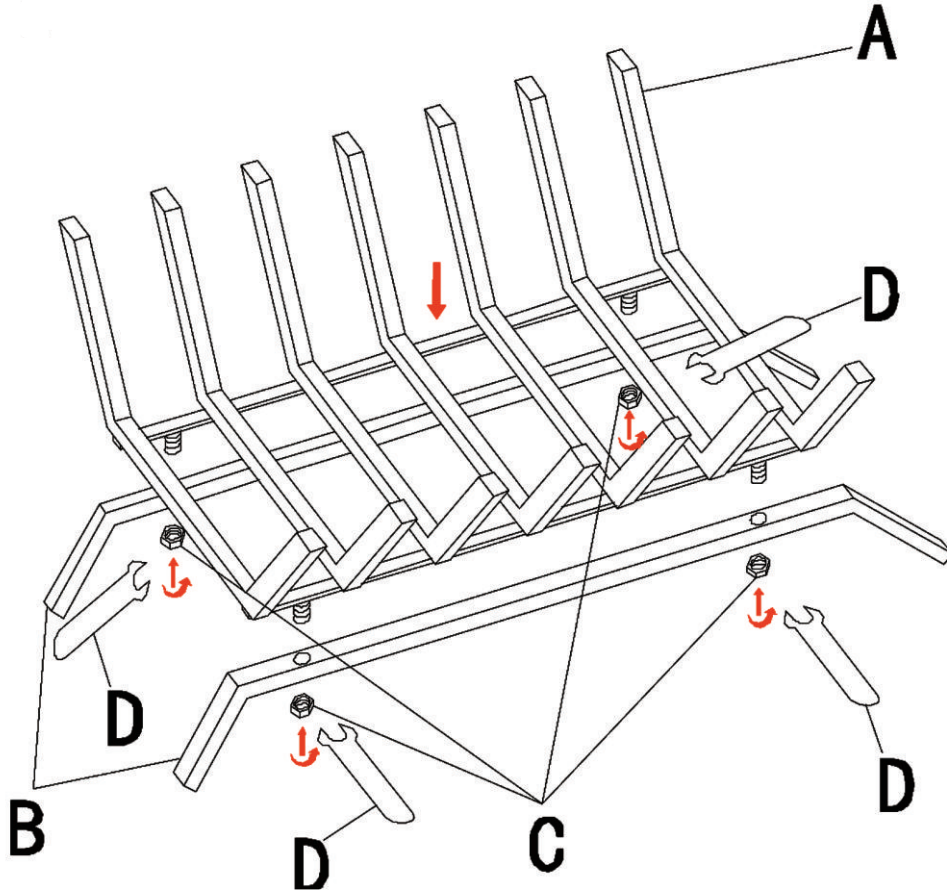
**C** x04



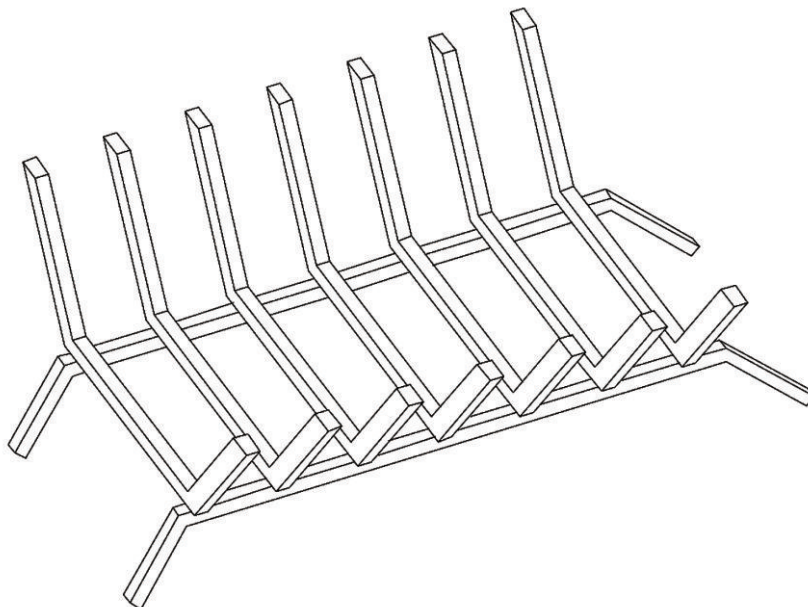
**D** x01



**01**



**02**



**Done**