

EN_IMPORTANT, RETAIN FOR FUTURE REFERENCE: READ CAREFULLY.

**FR_IMPORTANT: A LIRE ATTENTIVEMENT ET À CONSERVER POUR CONSULTATION
ULTÉRIEURE.**

ES_IMPORTANTE, LEA Y GUARDE PARA FUTURAS REFERENCIAS.

DE_WICHTIG! SORGFÄLTIG LESEN UND FÜR SPÄTER NACHSCHLAGEN AUFBEWAHREN.

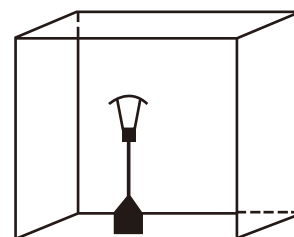
**IT_IMPORTANTE! CONSERVARE IL PRESENTE MANUALE PER FUTURO RIFERIMENTO E
LEggerlo ATTENTAMENTE.**

○ manufacturers	XIAMEN ECOTOP INDUSTRIAL CO., LTD.
Address	18-20# Shangtang North Road, Xiangan, Xiamen, China
Appliance name	Fire Pit
Model No	FR04-07-G-B2
Heat input	3.5 kW
Types of gas	butane and propane mixture
Country of Destination	EU countries
Burner injector	0.93 mm
Gas consumption (g/h)	G30: 255 g/h ; G31: 250 g/h
This manual is for	EU countries
Category	I3B/P(30)

This appliance shall only be used with butane and propane mixture cartridges of valve 7/16"-28 unified, these gas cartridges should comply with EN417. It may be hazardous to attempt to fit other types of gas cartridges with different threads.

Only use in well ventilated areas

- Close the valve of the gas cylinder or the regulator after use.
- Read the instructions before using this appliance.
- For use outdoors and in well ventilated areas.
- The use of this appliance in enclosed areas can be dangerous and is PROHIBITED.
- The appliance must be installed in accordance with the instructions and local regulation.
- A well ventilated area must have a minimum of 25% of the surface area open. The surface area is the sum of the walls surface.
- This appliance is intended for decorative purposes



FOR OUTDOOR USE ONLY

1. Read the instructions before using the appliance.
2. Warning: Accessible parts may be very hot, keep young children away.
3. Close the valve of the gas bulb or the regulator after use.
4. For use outdoors and in well ventilated areas.
5. The use of this appliance in enclosed areas can be dangerous and is PROHIBITED.
6. The appliance must be installed in accordance with the instructions and local regulation.
7. A well ventilated area must have a minimum of 25% of the surface area open. The surface area is the sum of the walls surface.

ASSEMBLY AND USER INSTRUCTIONS

Your new Fire table is made from the highest quality and eco-friendly materials, and produced under strict manufacturing controls.

Please read the Instructions for assembly before commencing, and follow the instructions for use carefully. We congratulate you on your decision to buy this outdoor gas fire pit and wish you great fun when warming with it.

IMPORTANT SAFETY INSTRUCTIONS

1. Please change the gas bulb in a amply ventilated area, away from any ignition source candle, cigarettes, other flame producing appliances.
2. Please check that the regulator seal is correctly fitted and able to fulfill its function.
3. Do not obstruct the ventilation holes of the bulb housing.
4. Please close the gas supply at the valve of the gas cylinder or the regulator after use.
5. In the event of gas leakage, the appliance shall not be used or if alight, the gas supply shall be shut off and the appliance shall be investigated and rectified before it is used again.
6. Please check the tubing or the flexible hose at least once per month and each time the cylinder is changed. If it shows signs of cracking, splitting or other deterioration, it shall be exchanged for new hose of the same length and of the equivalent quality.
7. Please check the tightness of the connections of the gas line supply, including gas cylinder valve/regulator, regulator/hose, hose/appliance gas inlet.
8. The appliance area must be kept clear and free from combustible materials, gasoline, and other flammable vapors and liquids.
9. Do not use this appliance if any part has been under water. Immediately call a qualified service technician to inspect the appliance and to replace any part of the control system and any gas control that has been under water.
10. Children and adults should be alerted to the hazards of high surface temperatures and should stay away to avoid burns or clothing ignition.
11. Young children should be carefully supervised when they are in the area of the appliance.
12. Clothing or other flammable materials should not be hung from the appliance or placed on or near the appliance.
13. Any guard or other protective device removed for servicing the appliance shall be replaced prior to operating the appliance.
14. Installation and repair should be done by a qualified service person. The appliance should be inspected before use and at least annually by a qualified service person. More frequent

- cleaning may be required as necessary. It is imperative that the control compartment, burners, and circulating air passageways of the appliance are kept clean.
15. DO NOT burn solid fuels in this appliance.
 16. This outdoor gas appliance is for Outdoor Use ONLY.
 17. This outdoor gas appliance is not intended to be installed in or on recreational vehicles and/boats.
 18. This outdoor appliance is not for use on wood decks or other flammable surface.
 19. Before each use of this gas appliance, open the door and/or the Gas Tank Drawer and inspect the hose. If there is evidence of excessive abrasion or wear or if the hose is damaged, the hose assembly must be replaced prior to the appliance being put into operation. Use only the replacement hose assembly specified in this manual. Make sure to leak test.
 20. Before each use of this gas appliance, inspect the burner. The burner must be replaced prior to the appliance being put into operation if it is evident that the burner is damaged. Use only the replacement burner specified in this instruction.
 21. Never use this appliance closer than 3 meters from anything flammable, including houses or overhead tree branches.
 22. Never use gasoline, kerosene, or any other liquid fuel to start a fire.
 23. Always maintain a safe distance from the fire.
 24. Always supervise children around the fire.
 25. Never leave a fire unattended.
 26. The appliance is hot during and after use, always allow ample cooling time before touching or moving.
 27. When first use, preheat the lava rocks for 15 minutes to burn out the impurities and air in the natural lava rocks.
 28. Important: Read these instructions for use carefully so as to familiarize yourself with the appliance before connecting it to its gas cartridge or gas cylinder. Keep these instructions for future reference.
 29. Do not use the appliance if it has damaged or worn seals.
 30. Do not use an appliance which is leaking, damaged or which does not operate properly.
 31. The appliance shall be operated on a horizontal surface.
 32. If there is a leak on your appliance (smell of gas), take it outside immediately into a well ventilated flame free location where the leak may be detected and stopped. If you wish to check for leaks on your appliance, do it outside. Do not try to detect leaks using a flame, use soapy water.
 33. Do not modify the appliance.

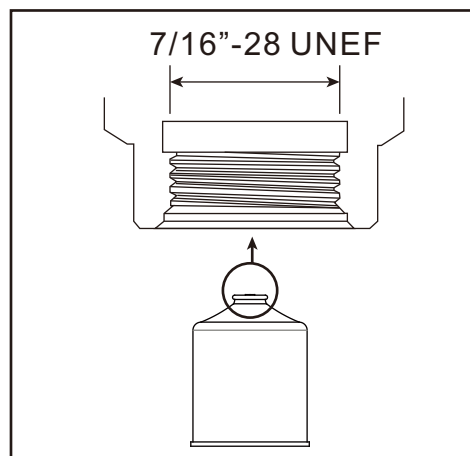
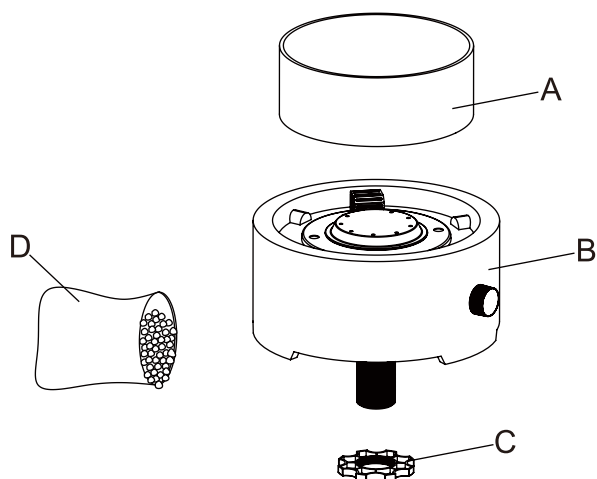
WARNING

1. Read the instructions before installation and use.
2. This appliance must be installed and the gas bulb stored in accordance with the regulations in force.
3. Do not obstruct the ventilation holes of the bulb housing.
4. Do not move the appliance when in operation.
5. Shut off the valve at the gas bulb or the regulator before moving the appliance.
6. The tubing or the flexible hose must be changed within the prescribed intervals.
7. Use only the type of gas and the type of bulb specified by the manufacturer.
8. In case of violent wind particular attention must be taken against tilting of the appliance.
9. Keep the instructions for future reference.
10. For use outdoors or in amply ventilated areas.
11. An amply ventilated area must have a minimum of 25% of the surface area open.
12. The surface area is the sum of the walls surface.
13. Be careful, accessible parts may be very hot. Keep away from young children.

SPECIFICATIONS

The gas fire pit is designed to fit with butane-propane mixture cartridges. The gas cartridge comes with valve 7/16" -28 unified. It may be hazardous to attempt to fit other types of gas cartridges with different threads.

Cartridge Threads Type	7/16" -28 unified
Cartridge Dimensions	Dia11 x 14cmH
Cartridge Weight	450g

**Part List**

NO.	Description	Q'TY
A	Glass shield	1 pc
B	Fire pit body	1 pc
C	Fixture fastener	1 pc
D	Glass beads (1 kg)	1 bag

ASSEMBLY INSTRUCTIONS

1. Carefully unpack all parts from the box, compare parts with package content listed above, make sure all parts are present before beginning assembly of product. If any part is missing or damaged, do not attempt to assemble the product. Contact customer service for replacement parts.
2. Check that the control knob is turned to the "OFF" position before starting any assembly (see Figure 1).

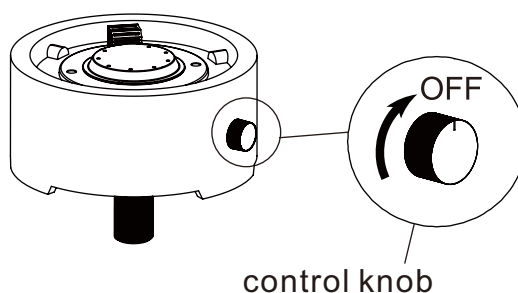


Figure 1

3. Remove the fixture fastener (C) from the firepit. Attach the firepit by aligning the post through the umbrella hole, then tighten the fixture fastener (C) clockwise (see Figure 2).

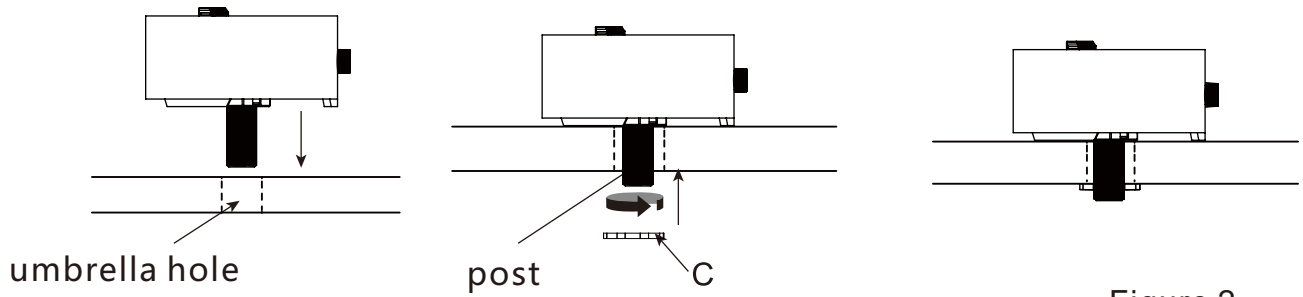


Figure 2

4. Insert glass shield (A) onto the top of fire pit body (B) (see Figure 3).

⚠ WARNING
DO NOT touch the surface of glass shield when in use or just after use. Allow 30 minutes after use to cool down to prevent scalding.

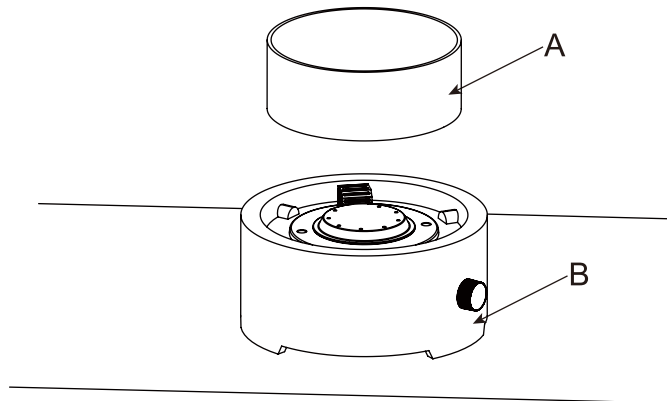


Figure 3

5. Place the glass beads (D) into the fire pit body (B). Approx. 1 kg of glass beads required (see Figure 4).

NOTE: leave the pilot box uncovered by glass beads.

⚠ WARNING
Keep children away during assembly, as this item contains glass beads, which are small pieces and can be swallowed by children.

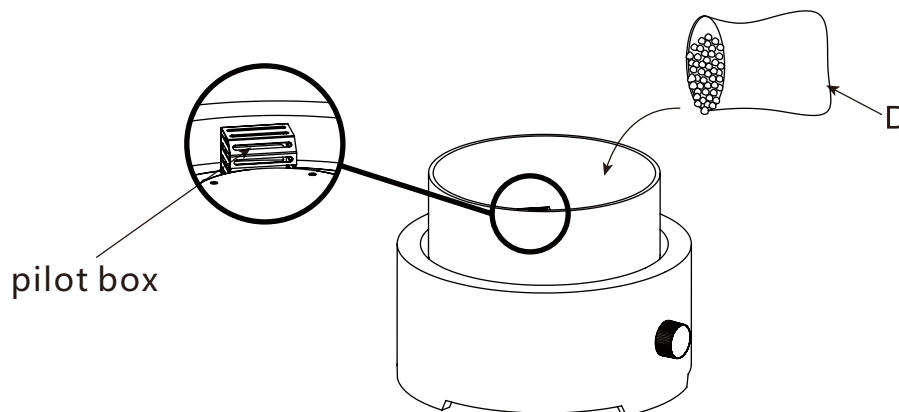


Figure 4

Connecting cylinder

- (1). Before connecting, be sure there is no debris caught in the head of the burner or burner or burner ports.
- (2). Make sure the control knob is in the “OFF” position. Lubricate the threads of the regulator with petroleum jelly.
- (3). Line up threads on the gas cylinder with regulator.
- (4). Insert the gas cylinder.
- (5). Rotate the cylinder clockwise until they fit snugly together. **HAND TIGHTEN ONLY.** Be careful not to cross thread when screwing in cylinder (see Figure 5).
- (6). Perform leak test per “Checking for Leaks” section.

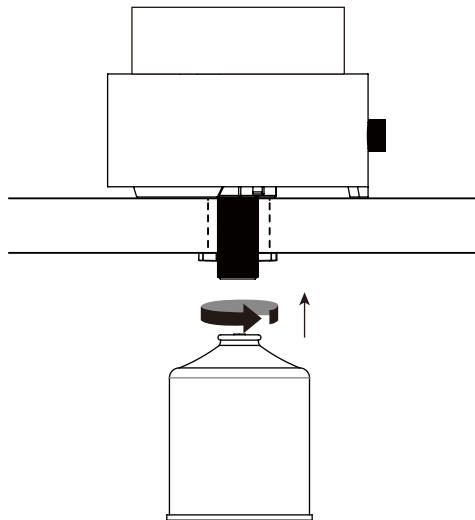


Figure 5

Disconnecting cylinder

- (1). Turn the control knob to the “OFF” position.
- (2). Rotate cylinder counterclockwise until it is loose (see Figure 6).
- (3). Remove the cylinder.
- (4). Store the cylinder in a proper location.
- (5). Place the protective cap cover on the cylinder and store the cylinder outdoors in a well ventilated area out of direct sunlight.

NOTE

- check that burners are extinguished before disconnecting the gas cartridge or gas cylinder.
- check the seals before connecting a new gas cartridge or gas cylinder to the appliance.
- change the gas cartridge or gas cylinder outside and away from people.

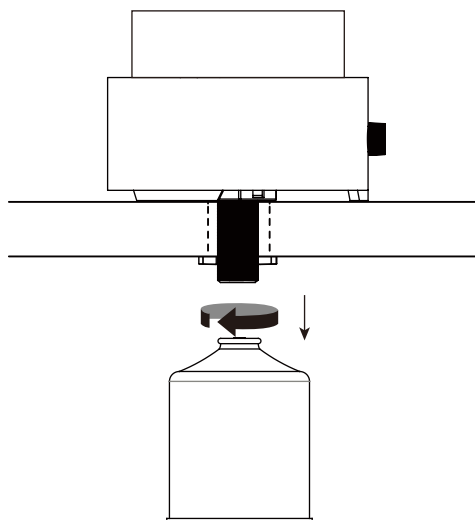


Figure 6

OPERATING INSTRUCTIONS

Checking for leaks

⚠ WARNING:

Before using this outdoor firepit, make sure you have read, understand and are following all information provided in the “Safety Information” section beginning on page 2 and 3. Failure to follow those instructions can cause death, serious injury or property damage.

⚠ WARNING:

Failure to inspect this connection or follow these instructions could cause a fire or an explosion which can cause death, serious bodily injury or damage to property.

Burner connections

1. Make sure the valve connections are securely fastened to the burner and the cylinder.
2. Visually check the connection between the burner/venturi tube and orifice.
3. Make sure the burner/venturi tube fits over the orifice.
4. Please refer to diagram for proper installation (see Figure 7).
5. If the burner/venturi tube does not rest flush to the orifice as shown, please contact us for assistance.

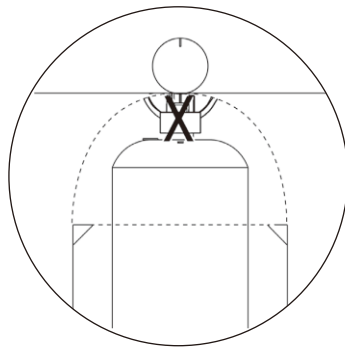


Figure 7

Lighting

⚠ WARNING:
NEVER light the burner with a cover on the outdoor firepit.

⚠ CAUTION:
Keep outdoor gas appliance area clear and free from combustible materials, gasoline and other flammable vapors and liquids.

⚠ CAUTION:
Do NOT obstruct the flow of combustion and ventilation air.

⚠ CAUTION:
Check and clean burner/venturi tubes for insects and insect nests. A clogged tube can lead to a fire.

1. Make sure all packagings have been removed from the outdoor firepit.
2. Check for obstructions of airflow to the burner Spiders, insects and webs can clog the burner/venturi tube. A clogged burner tube can lead to a fire.
3. Control knob must be in the “OFF” position.
4. Clear small area of lava rocks away from the igniter cover.
5. Connect cylinder per “Connecting Cylinder” section.
6. Push and turn control panel counterclockwise to “High” position.
7. Use a match or a lighter to light the fire bowl (see Figure 8). Continue to press the control knob for 15 seconds before it is released.
8. Adjust flame to desired height with the control knob.
9. After lighting, observe the burner flame Make sure all burner ports are lit and flame height matches illustration (see Figure 9-11)

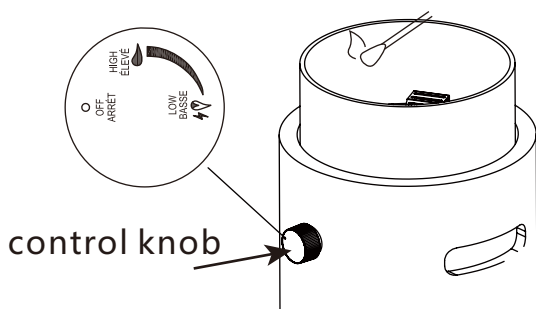


Figure 8

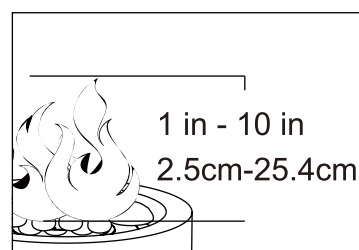
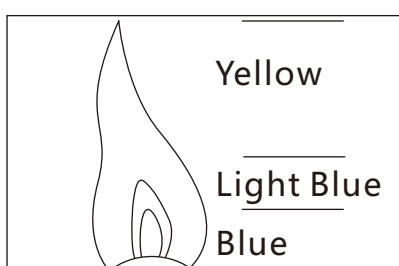
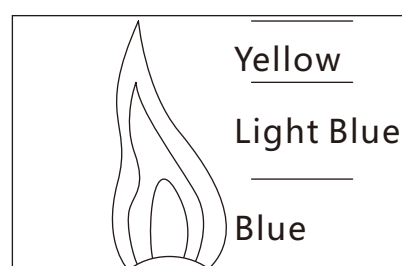


Figure 9



Needs Cleaning

Figure 10



Best Flame

Figure 11

⚠ CAUTION:

If ignition does not occur in 5 seconds, turn control knob to “OFF” wait 5 minutes, fan with a newspaper or magazine, and repeat lighting procedure.

⚠ CAUTION:

Disconnect gas cylinder when this appliance is not in use.

Turning off

1. Turn and push the control knob clockwise to the “OFF” position.
2. Disconnect cylinder per “Disconnecting gas cylinder” section. If ignition does NOT immediately take place in seconds, push and turn the control knob clockwise to “OFF” position. Wait 5 minutes and then repeat the lighting procedures as above.

NOTE: A “poof” sound is normal as the last of the gas is burned.

⚠ CAUTION:

Certain areas of this outdoor fire column when in use will become too hot to touch. To avoid burns, do not touch hot surfaces until the fire column has completely cooled down.

**CARE AND MAINTENANCE****CAUTION:**

1. All cleaning and maintenance should be done when outdoor firepit is cool and with the fuel supply disconnected.
2. Do NOT clean any outdoor firepit part in a self-cleaning oven. The extreme heat will damage the finish.
3. DO NOT enlarge valve orifices or burner ports when cleaning the valves or burners.

NOTES:

1. This outdoor firepit should be thoroughly cleaned and inspected on a regular basis.
2. Abrasive cleaners will damage this product.
3. NEVER use oven cleaner to clean any part of this outdoor firepit.

Before Each Use:

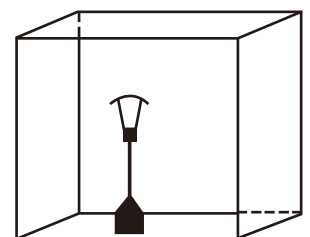
1. Keep the outdoor firepit area clear and free from any combustible materials, gasoline, and other flammable vapors and liquids.
2. Do NOT obstruct the flow of the combustion of LP gas and the ventilation of air.
3. Keep the ventilation opening(s) of the LP gas cylinder area free and clear from debris.
4. Visually check the burner flames to make sure your outdoor firepit is working properly.
5. See below for proper cleaning instructions.
6. Check all gas connections for leaks.
7. Check components for any signs of damage or rust.
8. Check for obstructions of airflow to the burner Spiders, insects and webs can clog the burner/venturi tube A clogged burner/venturi tube can lead to a fire.
9. If damage to any component is detected, do NOT operate until repairs are completed.

○ Hersteller	XIAMEN ECOTOP INDUSTRIAL CO., LTD.
Anschrift	18-20# Shangtang Nordstraße, Xiangan, Xiamen, China
Gerätebezeichnung	Feuerstelle
Modell-Nr.	FR04-07-G-B2
Wärmezufuhr	3.5 kW
Gasarten	Gemisch aus Butan und Propan
Bestimmungsland	EU-Länder
Brenner-Injektor	0.93 mm
Gasverbrauch (g/h)	G30: 255 g/h ; G31: 250 g/h
Dieses Handbuch ist für:	EU-Länder
Kategorie:	I3B/P(30)

Dieses Gerät darf nur mit Butan- und Propangaspatronen mit einem einheitlichen Ventil 7/16 Zoll-28 verwendet werden. Diese Gaspatronen müssen der Norm EN417 entsprechen. Befüllen Sie dieses Gerät nicht mit anderen Gaspatronen, da dies gefährlich sein könnte.

Nur in gut belüfteten Bereichen verwenden

- Schließen Sie das Ventil der Gasflasche oder des Reglers nach dem Gebrauch.
 - Lesen Sie alle Anweisungen, bevor Sie dieses Gerät verwenden.
 - Verwenden Sie das Gerät nur im Außenbereich und in gut belüfteten Räumen.
 - Die Verwendung dieses Geräts in geschlossenen Räumen ist gefährlich und VERBOTEN.
 - Installieren Sie das Gerät in Übereinstimmung mit dieser Anleitung und den örtlichen Vorschriften.
 - Der Raum muss mindestens 25 % Freiraum haben.
- Dieses Gerät ist für dekorative Zwecke bestimmt.



NUR FÜR DEN GEBRAUCH IM AUSSENBEREICH

1. Lesen Sie alle Anweisungen, bevor Sie dieses Gerät verwenden.
2. Warnung: Teile dieses Geräts können sehr heiß werden. Halten Sie es von kleinen Kindern fern.
3. Schließen Sie das Ventil der Gasbirne oder des Reglers nach dem Gebrauch.
4. Verwenden Sie das Gerät nur in gut belüfteten Außenbereichen.
5. Die Verwendung dieses Geräts in geschlossenen Räumen ist gefährlich und **VERBOTEN**.
6. Installieren Sie das Gerät in Übereinstimmung mit dieser Anleitung und den örtlichen Vorschriften.

Lesen Sie diese Anweisungen vor dem Zusammenbau.

Ihre neue Feuerstelle besteht aus hochwertigen und umweltfreundlichen Materialien, die unter strengen Fertigungskontrollen hergestellt werden.

Bitte lesen Sie die Zusammenbauanleitung, bevor Sie mit dem Zusammenbau beginnen, und befolgen Sie die Gebrauchsanweisung sorgfältig. Wir beglückwünschen Sie zu Ihrer Entscheidung für diese Außenbereich-Gas-Feuerstelle und wünschen Ihnen viel Spaß beim Erwärmen.

WICHTIGE SICHERHEITSANWEISUNGEN

1. Wechseln Sie die Gasbirne nur in einem gut belüfteten Raum, fern von Kerzen, Feuerzeugen, Zigaretten und anderen offenen Flammen.
2. Stellen Sie sicher, dass die Dichtung des Reglers korrekt sitzt und einwandfrei funktioniert.
3. Verstopfen Sie nicht die Lüftungsöffnungen der Birne.
4. Schließen Sie nach dem Gebrauch die Gaszufuhr am Ventil der Gasflasche oder des Reglers.
5. Wenn ein Gasleck auftritt, dürfen Sie das Gerät nicht benutzen oder anzünden. Drehen Sie die Gaszufuhr ab und untersuchen Sie das Gerät, um das Leck zu finden. Stellen Sie sicher, dass es repariert ist, bevor Sie es wieder benutzen.
6. Überprüfen Sie das Rohr oder den flexiblen Schlauch mindestens einmal im Monat und bei jedem Gasflaschenwechsel. Bei Anzeichen von Beschädigungen ersetzen Sie den Schlauch durch einen neuen, der die gleiche Länge und Qualität aufweist.
7. Überprüfen Sie die Dichtigkeit der Gasleitung, einschließlich des Gasflaschenventils, des Reglers und des Schlauchs.
8. Halten Sie das Gerät von brennbaren Materialien, Benzin und anderen entzündlichen Stoffen fern.
9. Verwenden Sie das Gerät nicht, wenn ein Teil unter Wasser gestanden hat. Wenden Sie sich an einen qualifizierten Servicetechniker, um das Gerät überprüfen zu lassen, damit er die Teile austauschen kann, die ersetzt werden müssen.
10. Seien Sie sich bewusst, dass die Oberfläche extrem heiß werden kann. Berühren Sie das Gerät nicht und halten Sie lose Kleidungsstücke fern, um die Gefahr von Verletzungen oder eines Brandes zu vermeiden.
11. Kleinkinder müssen in der Nähe des Geräts ständig beaufsichtigt werden.
12. Hängen oder legen Sie keine brennbaren Materialien, wie z. B. Kleidung, auf das Gerät.
13. Alle Schutzvorrichtungen, die zu Wartungszwecken entfernt wurden, müssen vor der Benutzung wieder angebracht werden.
14. Installation und Reparaturen müssen von einem qualifizierten Kundendienstmitarbeiter durchgeführt werden. Das Gerät sollte vor der Verwendung und mindestens einmal jährlich von einem qualifizierten Kundendienstmitarbeiter überprüft werden.

Bei Bedarf kann eine häufigere Reinigung erforderlich sein. Stellen Sie sicher, dass das Steuerfach, die Brenner und die Luftkanäle sauber gehalten werden.

15. Verbrennen Sie keine festen Brennstoffe in diesem Gerät.

16. Dieses Gerät ist nur für die Verwendung im Außenbereich bestimmt.

17. Verwenden Sie es nicht in Wohnmobilen oder auf Booten.

18. Verwenden Sie es nicht auf Holzterrassen oder anderen brennbaren Oberflächen.

19. Öffnen Sie vor jeder Verwendung die Tür und/oder die Gasbehälterschublade, um den Schlauch zu überprüfen. Wenn Schäden festgestellt werden, muss der Schlauch vor der Verwendung ausgetauscht werden. Verwenden Sie nur den in diesem Handbuch angegebenen Schlauch. Führen Sie unbedingt eine Dichtheitsprüfung durch.

20. Überprüfen Sie den Brenner vor der Verwendung. Wenn er beschädigt ist, muss er vor der Verwendung ausgetauscht werden. Ersetzen Sie ihn nur durch einen in diesem Handbuch angegebenen Brenner.

21. Halten Sie brennbare Materialien in einem Abstand von mindestens drei Metern von diesem Gerät fern. Dazu gehören auch Häuser oder Äste.

22. Verwenden Sie niemals Benzin, Kerosin oder andere flüssige Brennstoffe zum Anzünden der Feuerstelle.

23. Halten Sie immer einen Sicherheitsabstand zur Feuerstelle ein.

24. Kinder müssen beaufsichtigt werden, wenn sie sich in der Nähe der Feuerstelle aufhalten.

25. Lassen Sie das Gerät niemals unbeaufsichtigt, wenn es eingeschaltet ist.

26. Dieses Gerät ist während und nach dem Gebrauch heiß. Warten Sie immer, bis das Gerät vollständig abgekühlt ist, bevor Sie es berühren oder bewegen.

27. Heizen Sie bei der ersten Inbetriebnahme die Lavasteine 15 Minuten lang vor und lassen Sie sie ausbrennen.

28. Wichtig: Stellen Sie sicher, dass Sie mit dem Gerät vertraut sind, bevor Sie es an die Gaspatrone oder Gasflasche anschließen. Bewahren Sie diese Anweisungen zum späteren Nachschlagen auf.

29. Verwenden Sie das Gerät nicht, wenn es beschädigte oder abgenutzte Dichtungen hat.

30. Verwenden Sie das Gerät nicht, wenn es undicht ist, beschädigt ist oder nicht richtig funktioniert.

31. Verwenden Sie das Gerät nur auf einer flachen und ebenen Oberfläche.

32. Bei einem Leck (Gasgeruch) schalten Sie das Gerät sofort aus. Stellen Sie sicher, dass das Gerät an einem gut belüfteten Ort steht, weit entfernt von offenen Flammen. Verwenden Sie zum Prüfen auf Undichtigkeiten niemals eine Flamme. Verwenden Sie Seifenwasser - wenn sich Blasen bilden, liegt ein Leck vor.

33. Ändern Sie dieses Gerät nicht ab.

WARNUNG

1. Lesen Sie die Anweisungen vor der Installation und Verwendung.

2. Installieren Sie das Gerät und die Gasbirne in Übereinstimmung mit den örtlichen Vorschriften.

3. Die Lüftungsöffnungen der Birne dürfen nicht blockiert werden.

4. Bewegen Sie das Gerät nicht, wenn es unter Verwendung ist.

5. Bevor Sie das Gerät bewegen, schließen Sie das Ventil.

6. Das Rohr oder der Schlauch muss innerhalb der vorgeschriebenen Fristen gewechselt werden.

7. Verwenden Sie nur die vom Hersteller angegebene Gasart und Gasbirne.

8. Bei windigem Wetter ist besondere Vorsicht geboten, um sicherzustellen, dass das Gerät nicht umkippt.

9. Bewahren Sie die Anweisungen zum späteren Nachschlagen auf.

10. Für die Verwendung im Außenbereich oder in gut belüfteten Bereichen.

11. In einem gut belüfteten Bereich muss mindestens 25 % der Oberfläche offen sein.

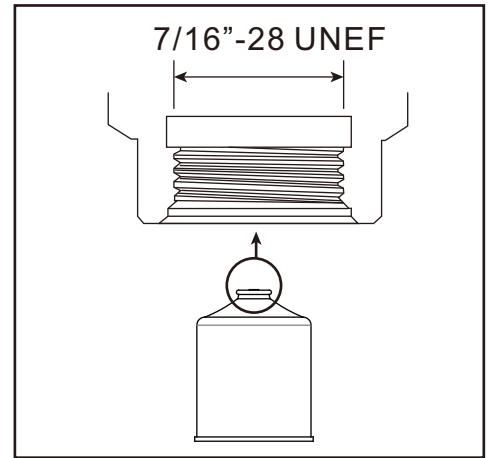
12. Die Fläche ist die Summe der Wandoberflächen.

13. Seien Sie vorsichtig, die zugänglichen Teile können sehr heiß sein. Halten Sie es von Kleinkindern fern.

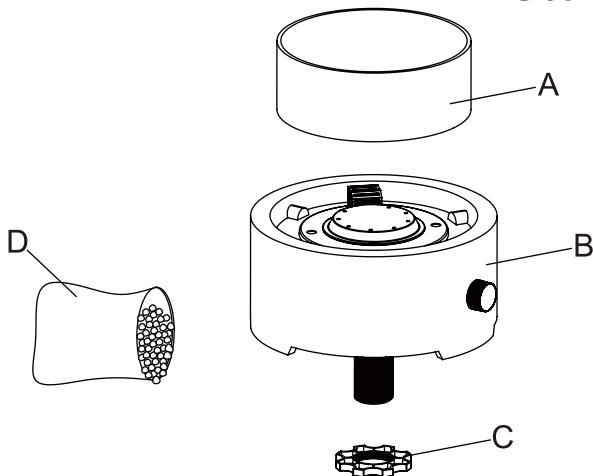
SPEZIFIKATIONEN

Diese Gasfeuerstelle ist für Butan-Propan-Gemisch-Patronen ausgelegt. Die Gaspatrone wird mit einem einheitlichen Ventil 7/16 Zoll-28 geliefert. Es ist gefährlich, andere Arten von Gaspatronen mit anderen Gewinden zu verwenden.

Patronengewinde Typ	7/16 Zoll -28 einheitlich
Abmessungen der Patrone	Durchmesser 11 x 14 cm Höhe
Gewicht der Patrone	450g



Stückliste



NR.	Beschreibung	ANZAHL
A	Glasabdeckung	1 Stück
B	Körper der Feuerstelle	1 Stück
C	Befestigungselement	1 Stück
D	Glasperlen (1 kg)	1 Tasche

MONTAGEANWEISUNGEN

1. Packen Sie alle Teile aus dem Karton aus - verwenden Sie die obige Liste, um sicherzustellen, dass alle Teile vorhanden sind. Wenn Teile fehlen oder beschädigt sind, bauen Sie das Produkt nicht zusammen. Wenden Sie sich an den Kundendienst, um Ersatz zu erhalten.
2. Vergewissern Sie sich vor dem Zusammenbau, dass sich der Drehknopf in der Position „AUS“ befindet (Abb. 1).

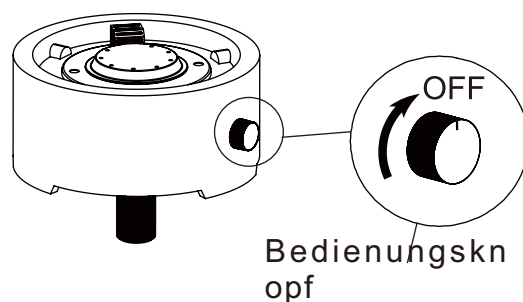


Abbildung 1

3. Entfernen Sie die Befestigungsvorrichtung (C) von der Feuerstelle. Bringen Sie die Feuerstelle an, indem Sie den Pfosten durch das Schirmloch führen und dann die Befestigungsvorrichtung (C) im Uhrzeigersinn festziehen (siehe Abbildung 2).

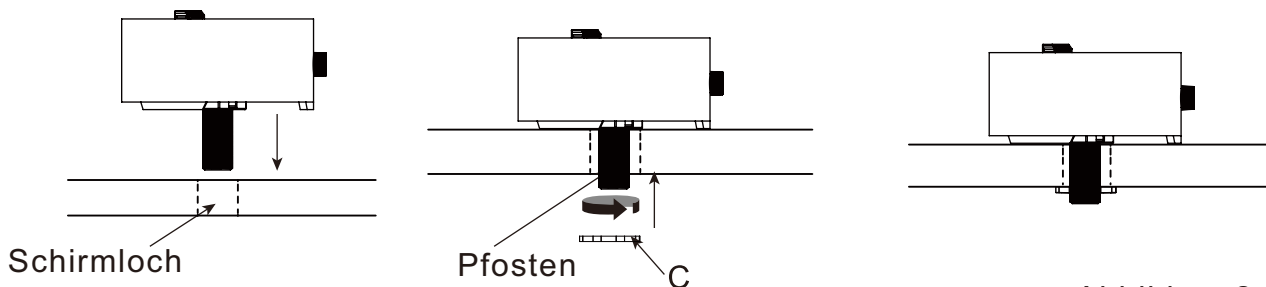


Abbildung 2

4. Setzen Sie die Glasabdeckung (A) oben auf das Gehäuse der Feuerstelle (B) (siehe Abbildung 3).

! WARNUNG
 NICHT die Oberfläche der Glasabdeckung während oder kurz nach dem Gebrauch berühren. Nach dem Gebrauch 30 Minuten abkühlen lassen, um Verbrühungen zu vermeiden.

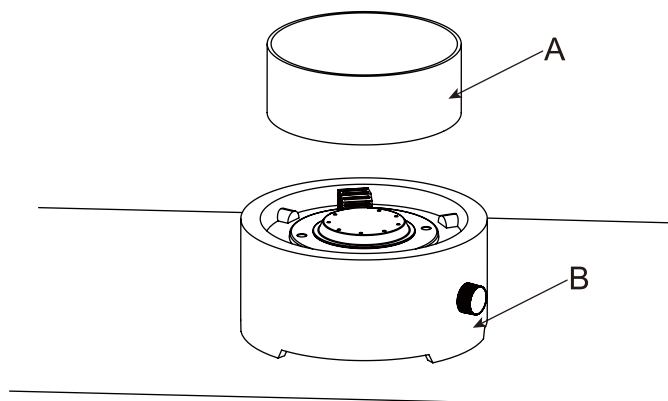


Abbildung 3

5. Legen Sie die Glasperlen (D) in den Feuerstellenkörper (B). Es wird ca. 1 kg Glasperlen benötigt (siehe Abbildung 4).

HINWEIS: Lassen Sie den Zündkasten von den Glasperlen unbedeckt.

! WARNUNG
 Halten Sie Kinder während des Zusammenbaus fern, da dieser Artikel Glasperlen enthält, die kleinen Stücke sind und von Kindern verschluckt werden können.

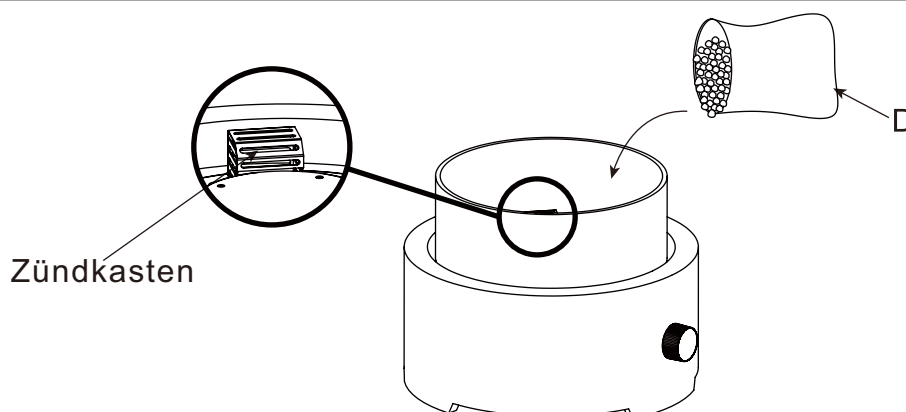


Abbildung 4

Anschließen der Gasflasche

1. Stellen Sie vor dem Anschließen sicher, dass sich keine Ablagerungen im Brennerkopf oder in den Anschlüssen befinden.
2. Vergewissern Sie sich, dass der Drehknopf ausgeschaltet ist. Schmieren Sie die Gewinde des Reglers mit Vaseline ein.
3. Richten Sie die Gewinde der Gasflasche mit dem Regler aus.
4. Setzen Sie die Gasflasche ein.
5. Drehen Sie die Gasflasche im Uhrzeigersinn, so dass sie zusammenpasst - ziehen Sie sie mit den Händen fest. Achten Sie beim Einschrauben der Gasflasche darauf, dass Sie das Gewinde nicht überdrehen (Abb. 5).
6. Führen Sie eine Dichtheitsprüfung durch, wie im Abschnitt „Prüfen auf Undichtheiten“ beschrieben.

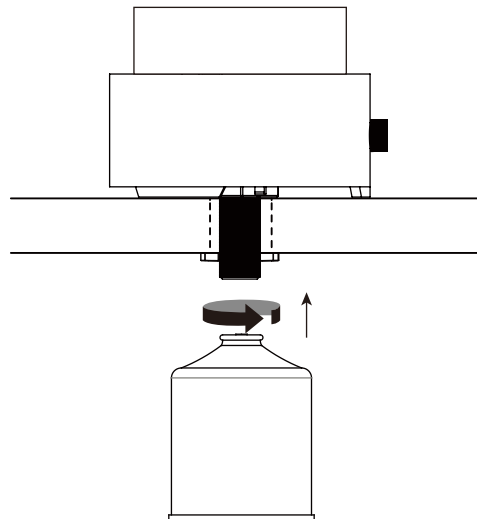


Abbildung 5

Abklemmen der Gasflasche

1. Drehen Sie den Regelknopf aus.
2. Drehen Sie die Gasflasche gegen den Uhrzeigersinn, bis er lose ist (Abb. 6).
3. Nehmen Sie die Gasflasche heraus.
4. Setzen Sie die Schutzkappe auf die Gasflasche.
5. Bewahren Sie die Gasflasche im Außenbereich auf - schützen Sie sie vor direkter Sonneneinstrahlung.

HINWEIS:

- Vergewissern Sie sich, dass die Brenner erloschen sind, bevor Sie die Gaspatrone oder die Gasflasche abklemmen.
- Prüfen Sie die Dichtungen, bevor Sie eine neue Patrone oder Gasflasche an das Gerät anschließen.
- Wechseln Sie die Patrone oder Gasflasche im Außenbereich und außerhalb der Reichweite anderer Personen.

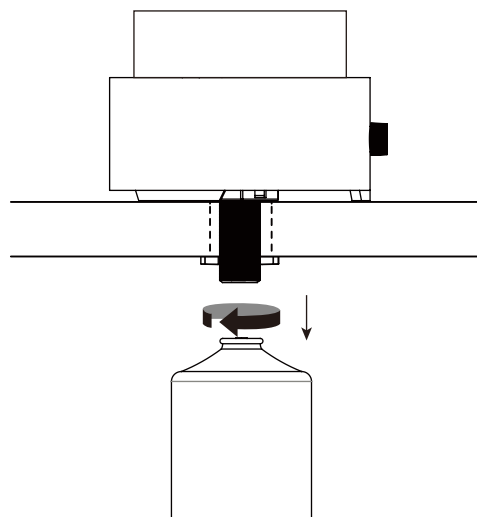


Abbildung 6

Prüfen auf Undichtheiten

! WARNUNG

Stellen Sie vor der Verwendung sicher, dass Sie alle Anweisungen gelesen und verstanden haben. Die Nichtbeachtung der Anweisungen kann zu Sachschäden, Verletzungen oder Tod führen.

! WARNUNG

Überprüfen Sie alle Anschlüsse und befolgen Sie alle Anweisungen. Bei Nichtbeachtung besteht Brand- oder Explosionsgefahr, die zu Sachschäden, schweren Verletzungen oder zum Tod führen kann.

Brenneranschlüsse

1. Stellen Sie sicher, dass die Ventilanschlüsse sicher am Brenner und an der Gasflasche befestigt sind.
2. Überprüfen Sie die Verbindung zwischen Brenner/Venturirohr und Öffnung visuell.
3. Stellen Sie sicher, dass das Brenner-/Venturirohr auf die Öffnung passt.
4. Beachten Sie das Diagramm zur korrekten Installation (Abb. 7).
5. Wenn der Brenner/das Venturi-Rohr nicht wie gezeigt bündig auf der Öffnung sitzt, wenden Sie sich für Hilfe an den Kundendienst.

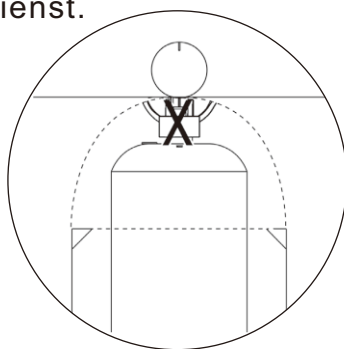


Abbildung 7

Beleuchtung

- ⚠️ WARNUNG**
Zünden Sie den Brenner NIEMALS an, wenn sich die Abdeckung über der Feuerstelle befindet.
- ⚠️ VORSICHT:**
Halten Sie das Gerät von brennbaren Materialien, Benzin und anderen entzündlichen Stoffen fern.
- ⚠️ VORSICHT:**
Blockieren Sie NICHT die Entlüftungsöffnungen.
- ⚠️ VORSICHT:**
Überprüfen und reinigen Sie alle Rohre und stellen Sie sicher, dass sich keine Ablagerungen oder Insekten darin befinden. Ein verstopftes Rohr stellt eine Brandgefahr dar.

1. Stellen Sie sicher, dass alle Verpackungen aus der Feuerstelle entfernt wurden.
2. Räumen Sie den kleinen Bereich von Lavasteinen frei und achten Sie darauf, dass er nicht in der Nähe der Anzünderabdeckung liegt.
3. Der Drehknopf muss ausgeschaltet sein.
4. Schließen Sie die Gasflasche an, wie im Abschnitt „Anschluss der Gasflasche“ beschrieben.
5. Drücken und drehen Sie das Bedienfeld gegen den Uhrzeigersinn, so dass es sich in der Position „Hoch“ befindet.
6. Zünden Sie die Feuerstelle mit einem Streichholz oder Feuerzeug an (Abb. 8). Halten Sie den Drehknopf 15 Sekunden lang gedrückt, bevor Sie ihn loslassen.
7. Verwenden Sie den Drehknopf, um die Höhe der Flamme einzustellen.
8. Beobachten Sie die Flamme nach dem Anzünden. Vergewissern Sie sich, dass alle Öffnungen angezündet sind und die Flammhöhe mit den Abbildungen übereinstimmt (Abb. 9-11).

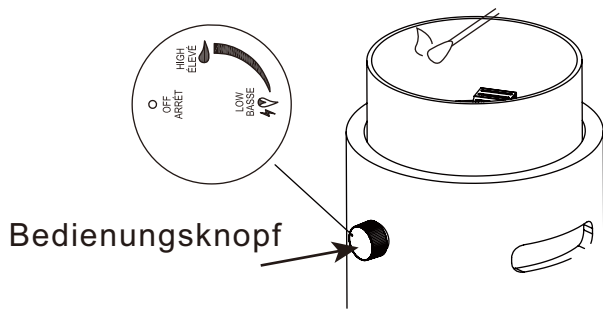


Abbildung 8

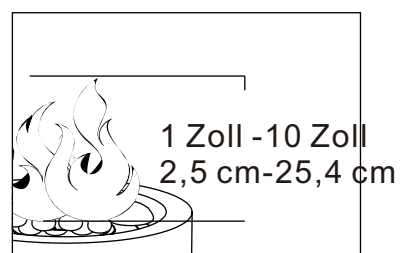
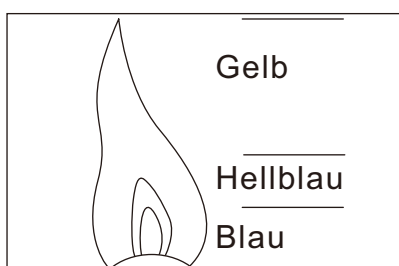
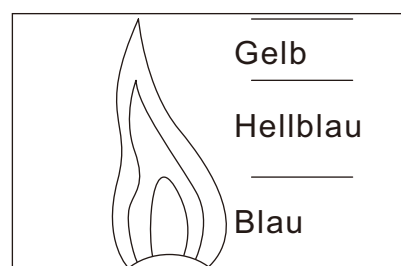


Abbildung 9



Benötigt Reinigung

Abbildung 10



Beste Flamme

Abbildung 11

⚠ VORSICHT:
Wenn sich die Flamme nicht innerhalb von fünf Sekunden entzündet, schalten Sie den Drehknopf aus und warten Sie fünf Minuten. Fächern Sie mit einer Zeitung oder Zeitschrift nach und wiederholen Sie dann den Anzündvorgang.

⚠ VORSICHT:
Klemmen Sie die Gasflasche ab, wenn Sie das Gerät nicht verwenden.

Ausschalten

1. Drehen und drücken Sie den Knopf im Uhrzeigersinn in die Position „AUS“.
2. Befolgen Sie die Anweisungen unter „Abklemmen der Gasflasche“, um die Gasflasche abzuklemmen.

HINWEIS: Wenn das letzte Gas verbrannt ist, kann ein „POOF“-Geräusch auftreten - das ist normal.

⚠ VORSICHT:
Teile der Feuerstelle sind während des Gebrauchs zu heiß, um sie zu berühren. Um Verbrennungen zu vermeiden, berühren Sie die Oberflächen nicht, bevor das Gerät vollständig abgekühlt ist.



PFLEGE UND WARTUNG

VORSICHT:

1. Schalten Sie das Gerät vor der Reinigung und Wartung aus, klemmen Sie die Brennstoffzufuhr ab und warten Sie, bis das Gerät vollständig abgekühlt ist.
2. Reinigen Sie keine Teile in einem selbstreinigenden Ofen. Die extreme Hitze wird das Gerät beschädigen.
3. Vergrößern Sie beim Reinigen von Ventilen oder Brennern nicht die Öffnungen oder Anschlüsse.

HINWEISE:

1. Dieses Gerät sollte regelmäßig gründlich gereinigt und überprüft werden.
2. Scheuernde Reinigungsmittel beschädigen dieses Gerät.
3. Verwenden Sie NIEMALS einen Ofenreiniger für dieses Gerät.

VOR JEDER VERWENDUNG:

1. Halten Sie das Gerät von brennbaren Materialien, Benzin und anderen entflammenden Substanzen fern.
2. Blockieren Sie NICHT den LP-Gasstrom oder die Lüftungsöffnungen.
3. Halten Sie die Lüftungsöffnungen frei von Verunreinigungen.
4. Überprüfen Sie die Flammen visuell, um sicherzustellen, dass das Gerät ordnungsgemäß funktioniert.
5. Anweisungen zur Reinigung siehe unten.
6. Prüfen Sie alle Gasanschlüsse auf Lecks.
7. Prüfen Sie alle Bauteile auf Anzeichen von Schäden oder Rost.
8. Prüfen Sie den Luftstrom auf Insekten, Spinnweben oder andere Dinge, die den Brenner/das Venturi-Rohr verstopfen könnten. Ein verstopftes Rohr stellt eine Brandgefahr dar.
9. Verwenden Sie das Gerät im Falle von Schäden nicht, bevor sie behoben sind.