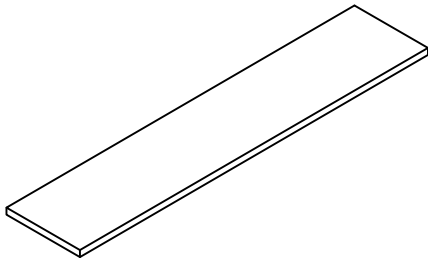


3Hours

READ AND SAVE THIS INSTRUCTION FOR FUTURE USE

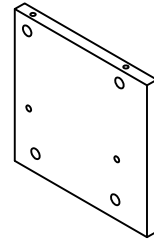
ASSEMBLY INSTRUCTION

1



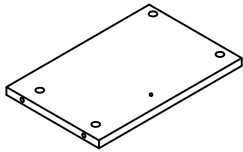
1 PC

2



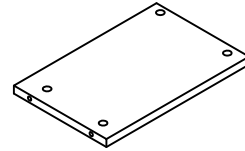
4 PCS

3



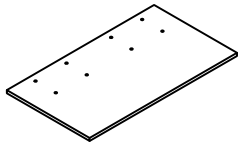
1 PC

4



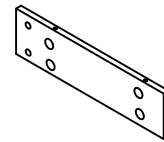
1 PC

5



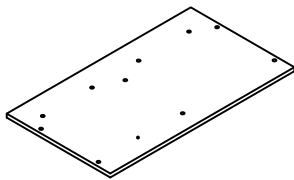
1 PC

6



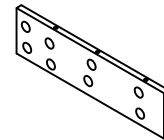
2 PCS

7



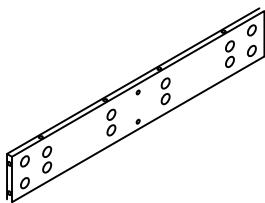
1 PC

8



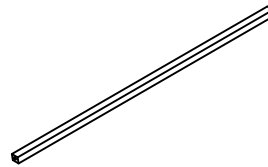
1 PC

9



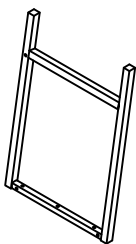
2 PCS

10



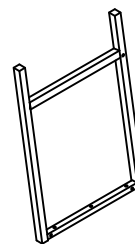
1 PC

11



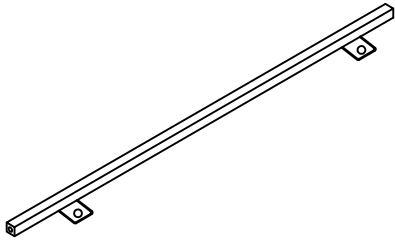
1 PC

12



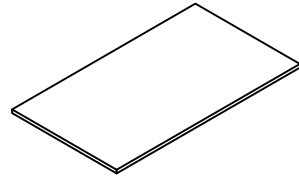
1 PC

13



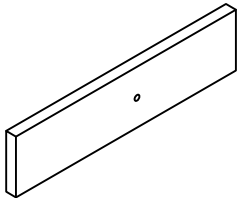
2 PCS

14



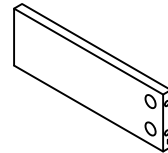
2 PCS

15



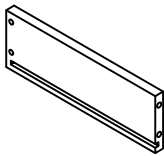
2 PCS

16



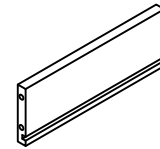
2 PCS

17



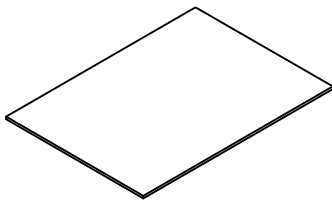
2 PCS

18



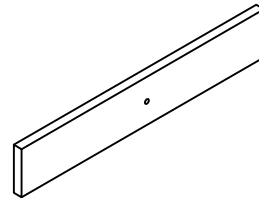
2 PCS

19



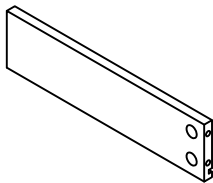
1 PC

20



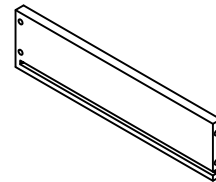
1 PC

21



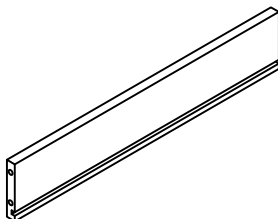
1 PC

22

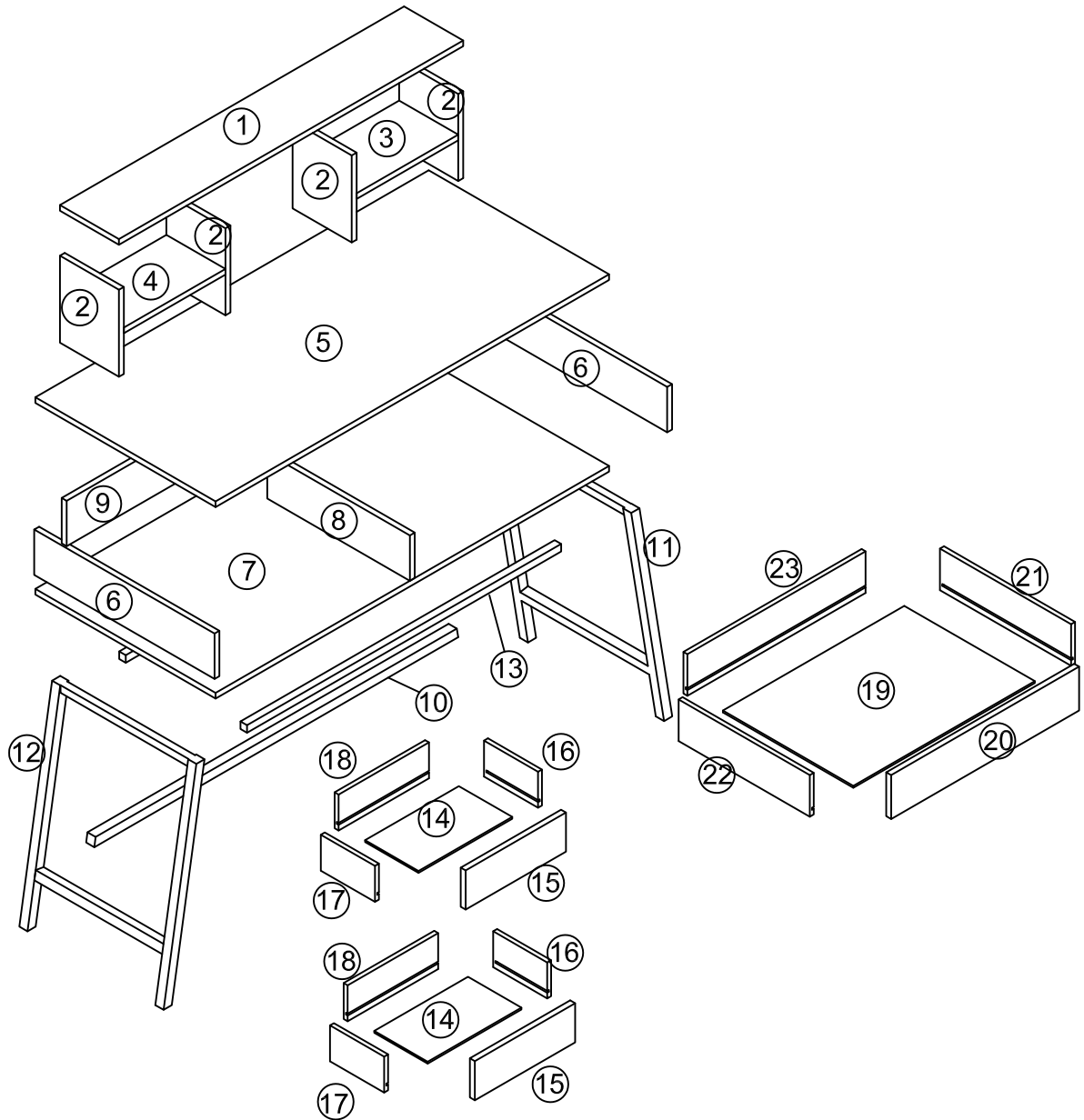


1 PC



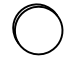













23



1 PC



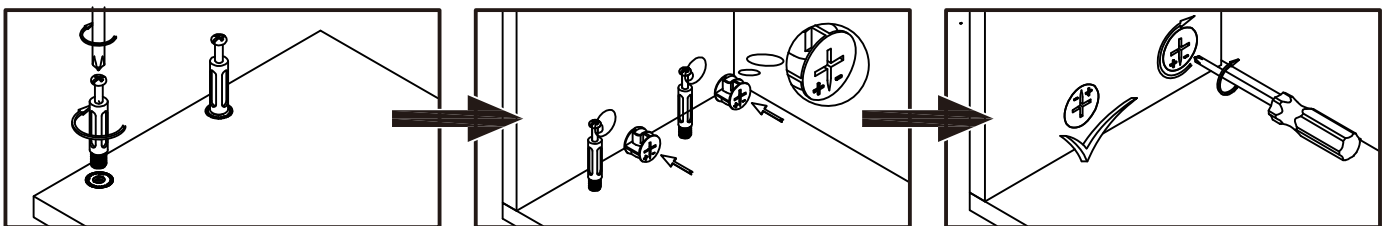
HARDWARE LIST

A  M5X45 78 PCS	B  78 PCS	C  STICKER N PCS
D  1 PCS	E  2 PCS	F  4X18 4 PCS
G  3 PCS	H  4X12 3 PCS	I  4 PCS
J  4 PCS	K  2 PCS	L  2 PCS
M  8X40 6 PCS	N  1 PC	O  4X14 4 PCS
P  6 PCS		

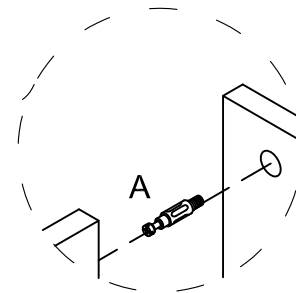
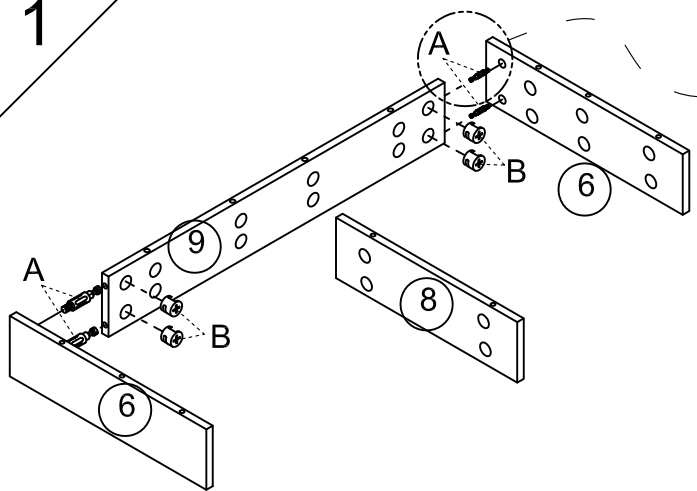
5X45mm bolt installation as below



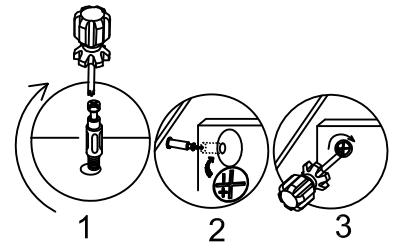
NOT INCLUDED



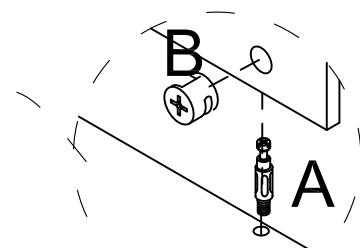
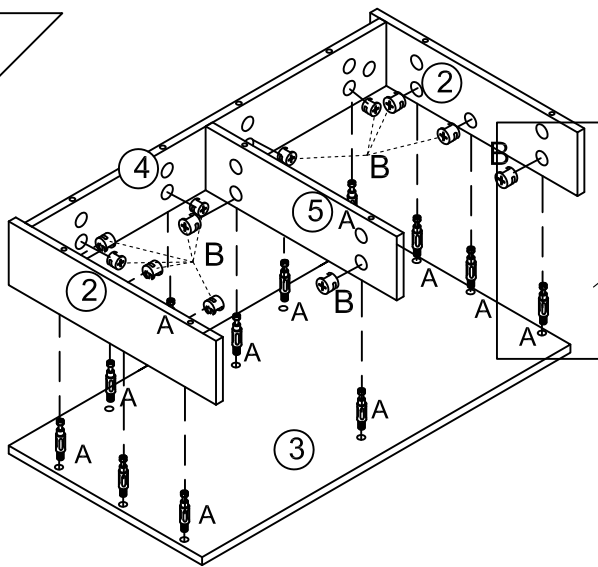
1



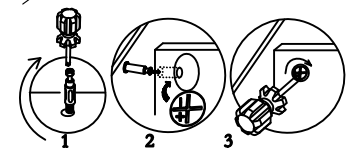
PARTS	
A	M5X45 4 PCS
B	4 PCS



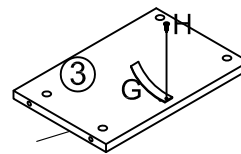
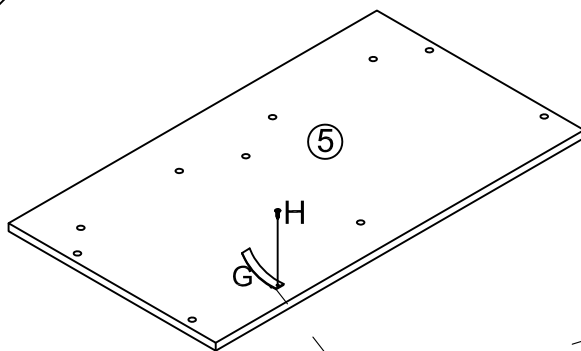
2



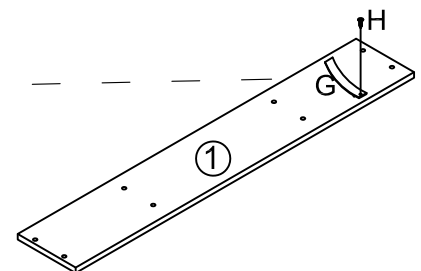
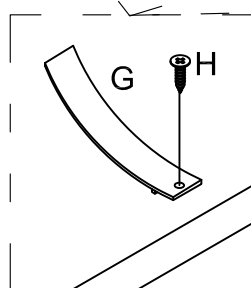
PARTS	
A	M5X45 12 PCS
B	12 PCS



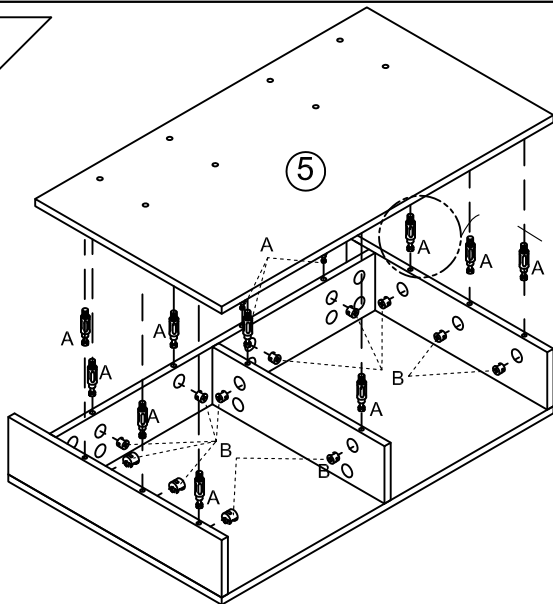
3



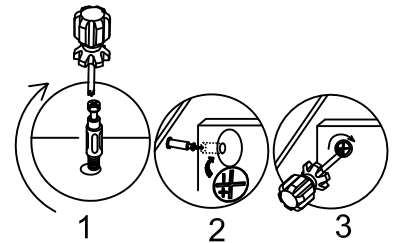
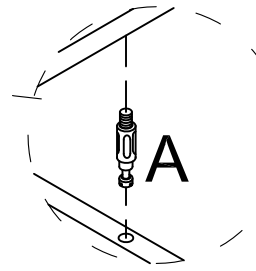
PARTS	
G	3 PCS
H	4X12 3 PCS



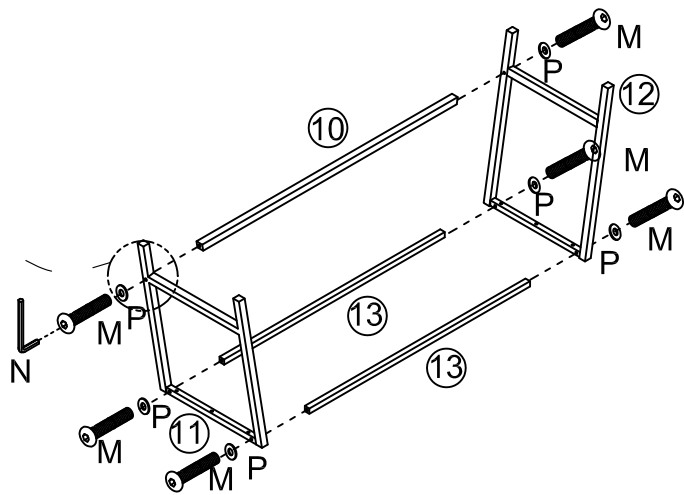
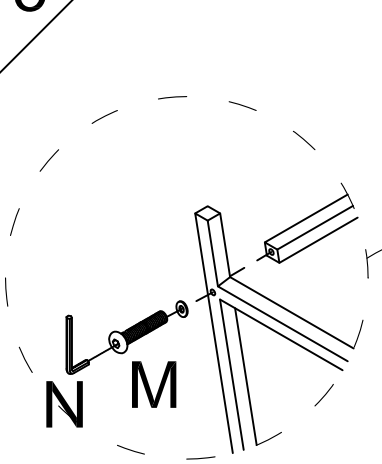
4



PARTS	
A	M5X45 12 PCS
B	12 PCS

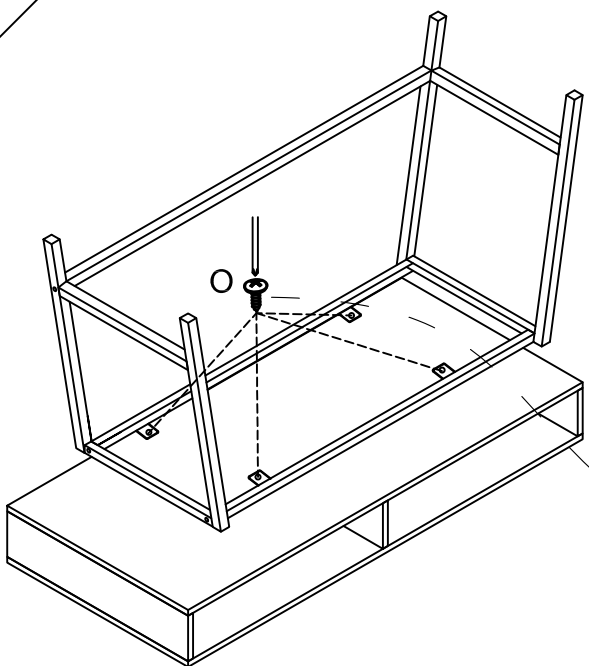


5

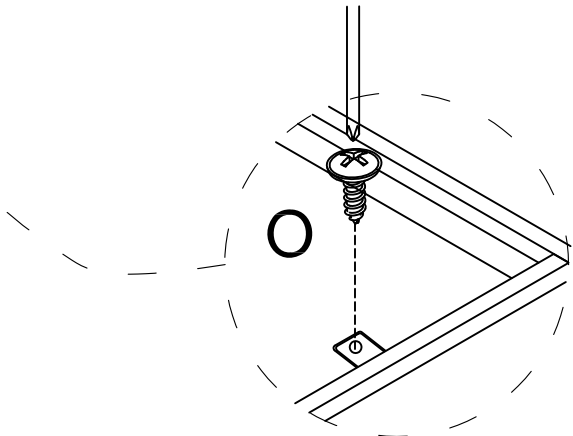


PARTS	
M	8X40 6 PCS
P	6 PCS
N	6 PCS

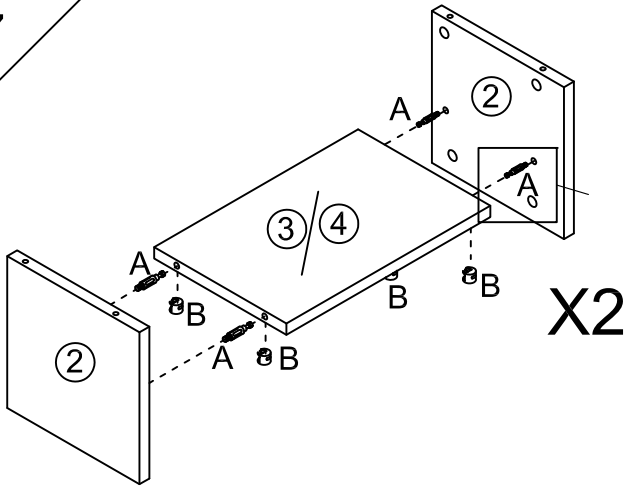
6



PARTS	
O	4 PCS

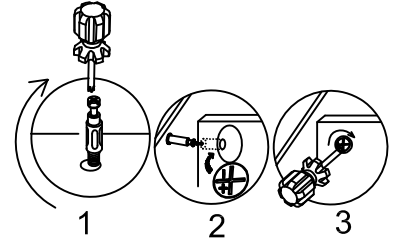


7

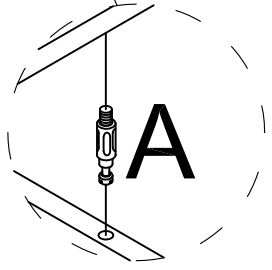
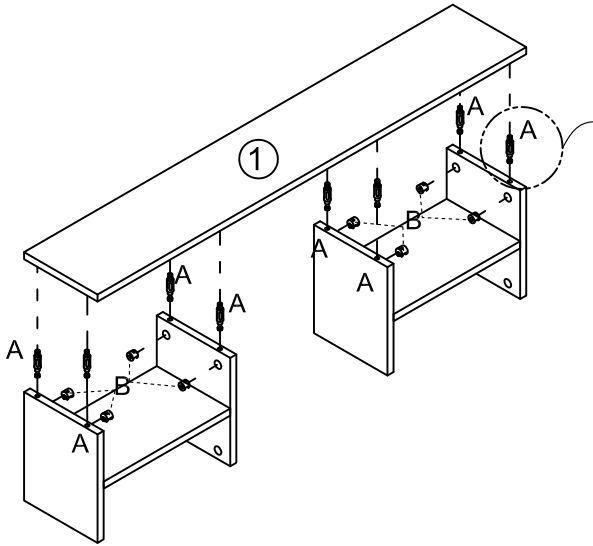


X2

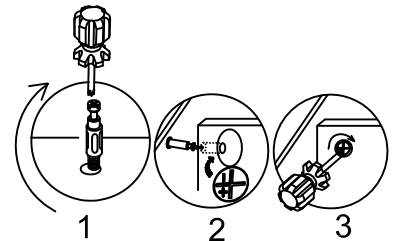
PARTS	
A	M5X45 8 PCS
B	8 PCS



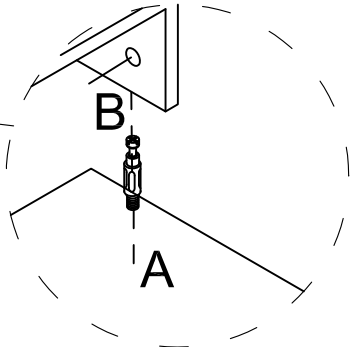
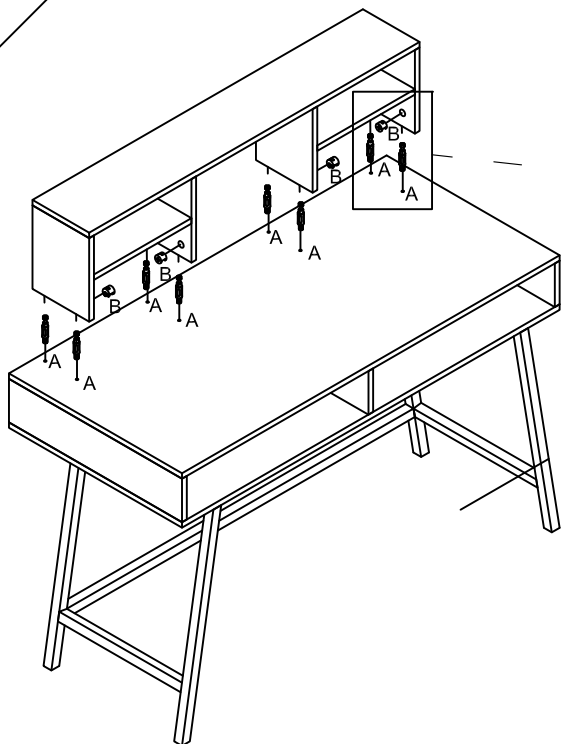
8



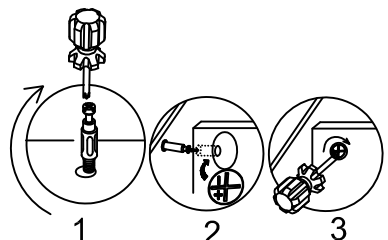
PARTS	
A	M5X45 8 PCS
B	8 PCS



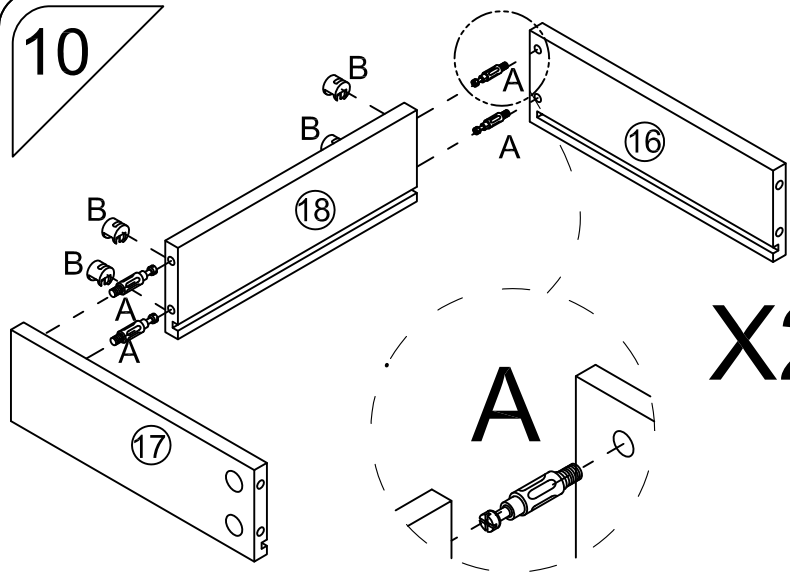
9



PARTS	
A	M5X45 8 PCS
B	8 PCS

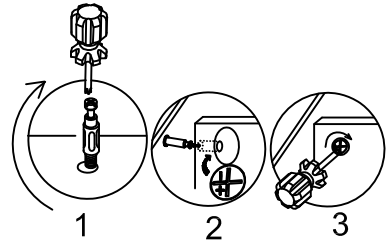


10

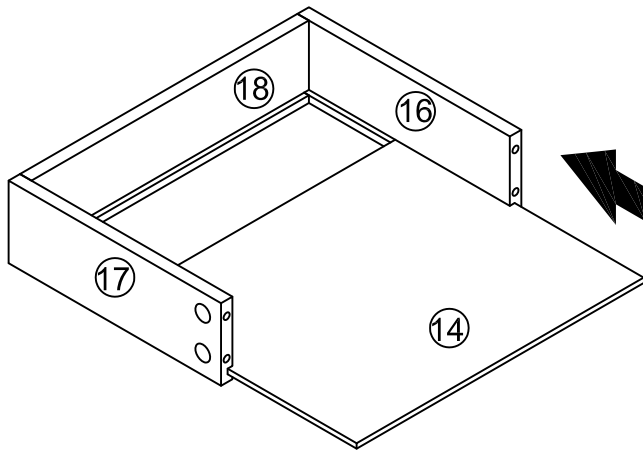


PARTS	
A	M5X45 8 PCS
B	8 PCS

X2

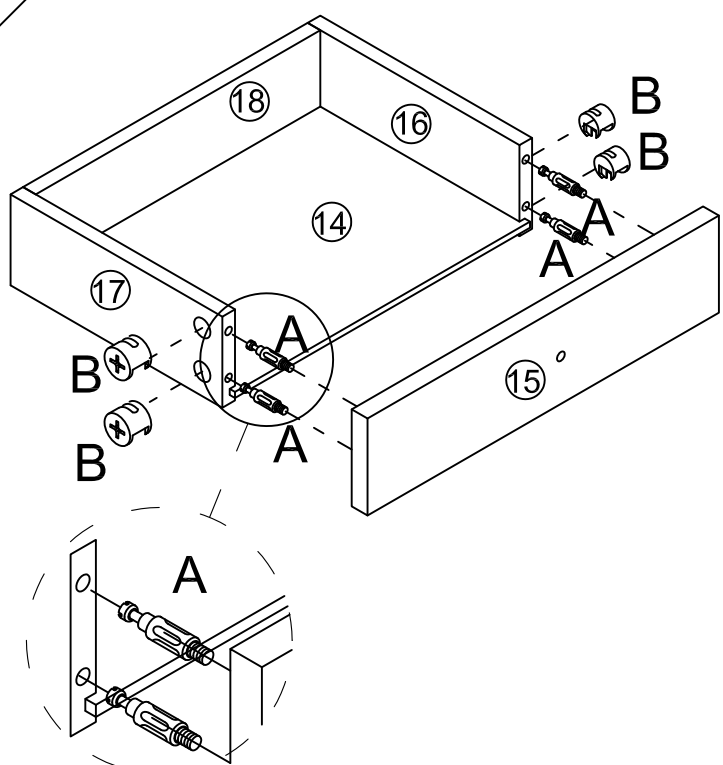


11



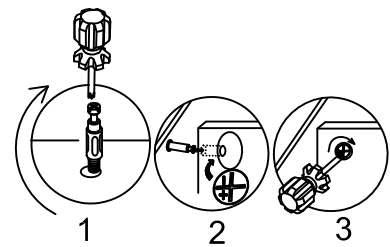
X2

12

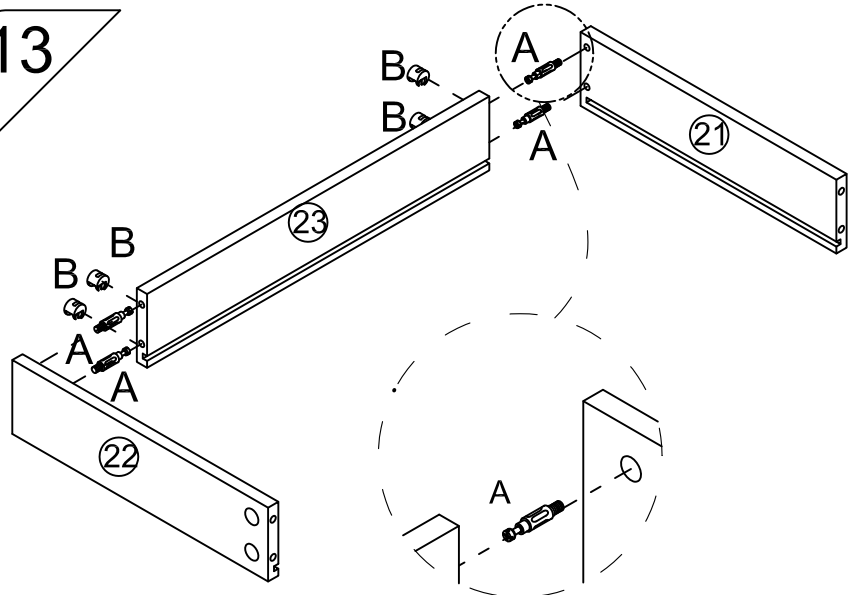


X2

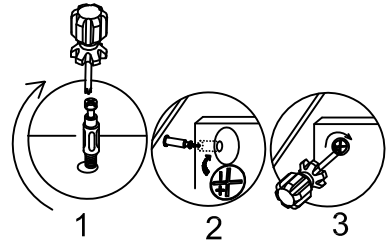
PARTS	
A	M5X45 8 PCS
B	8 PCS



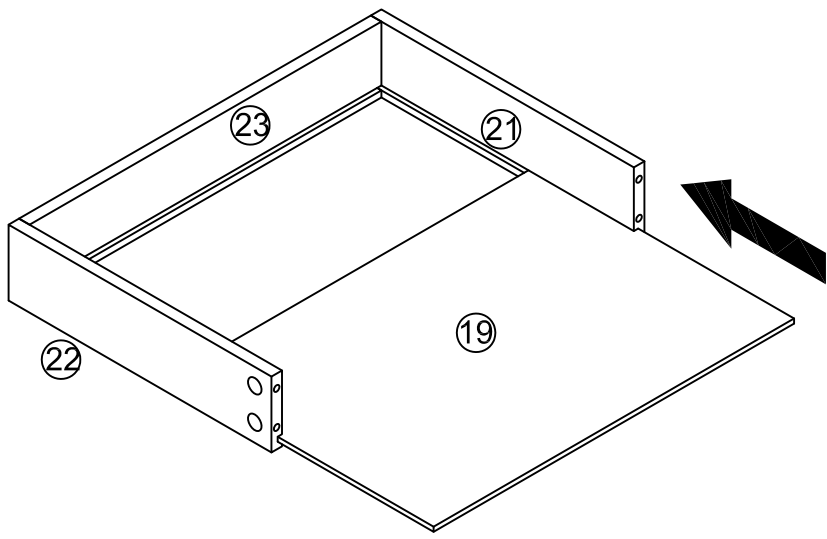
13



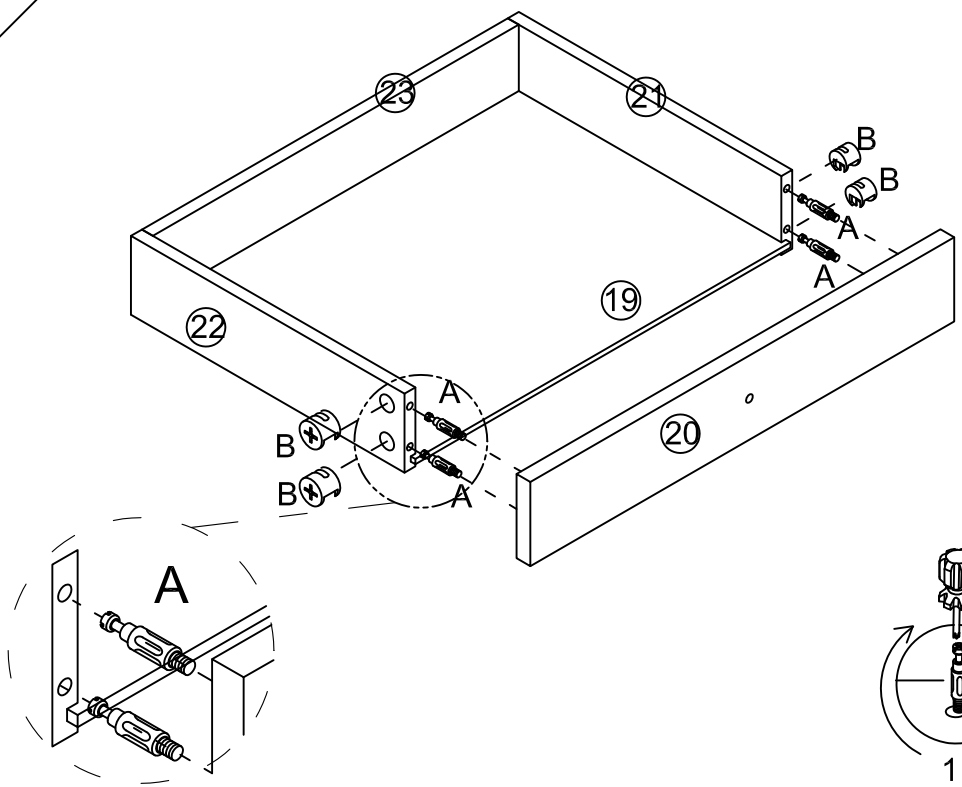
PARTS	
A	M5X45 4 PCS
B	4 PCS



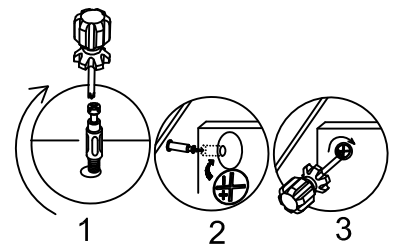
14



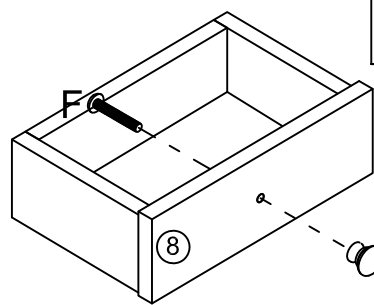
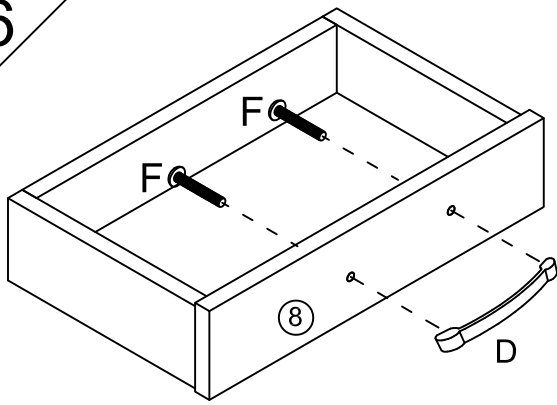
15



PARTS	
A	M5X45 4 PCS
B	4 PCS



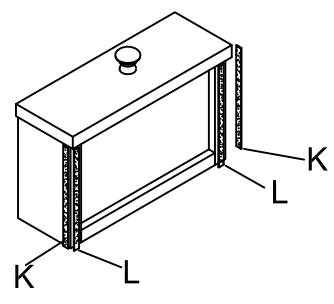
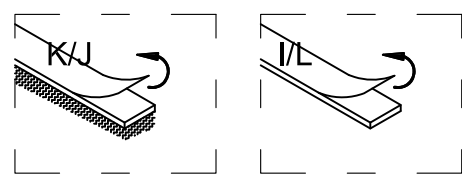
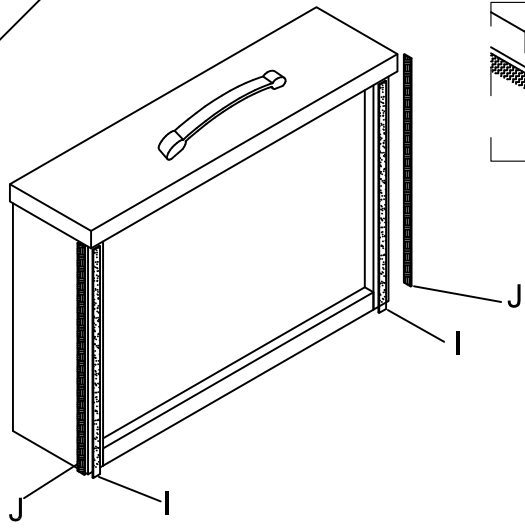
16



X2

PARTS	
E	2 PCS
D	1 PC
F	4X18 4 PCS

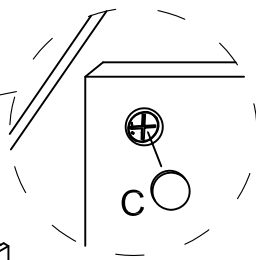
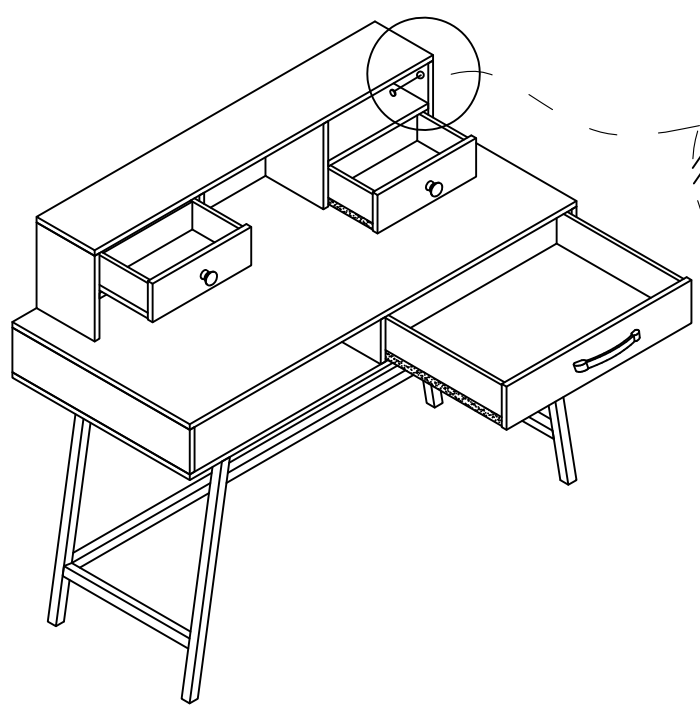
17



X2

PARTS	
I	2 PCS
J	2 PCS
K	4 PCS
L	4 PCS

18



PARTS	
C	STICKER N PCS



US

001-877-644-9366
customerservice@aosom.com



CA

001-855-537-6088
customerservice@aosom.ca



UK

0044-800-240-4004
enquiries@mhstar.co.uk



DE

0049-(0)40-88307530
service@aosom.de



FR

0033-1-84166106
contact@aosom.fr



ES

0034-931294512
atencioncliente@aosom.es



IT

0039-0249471447
clienti@aosom.it