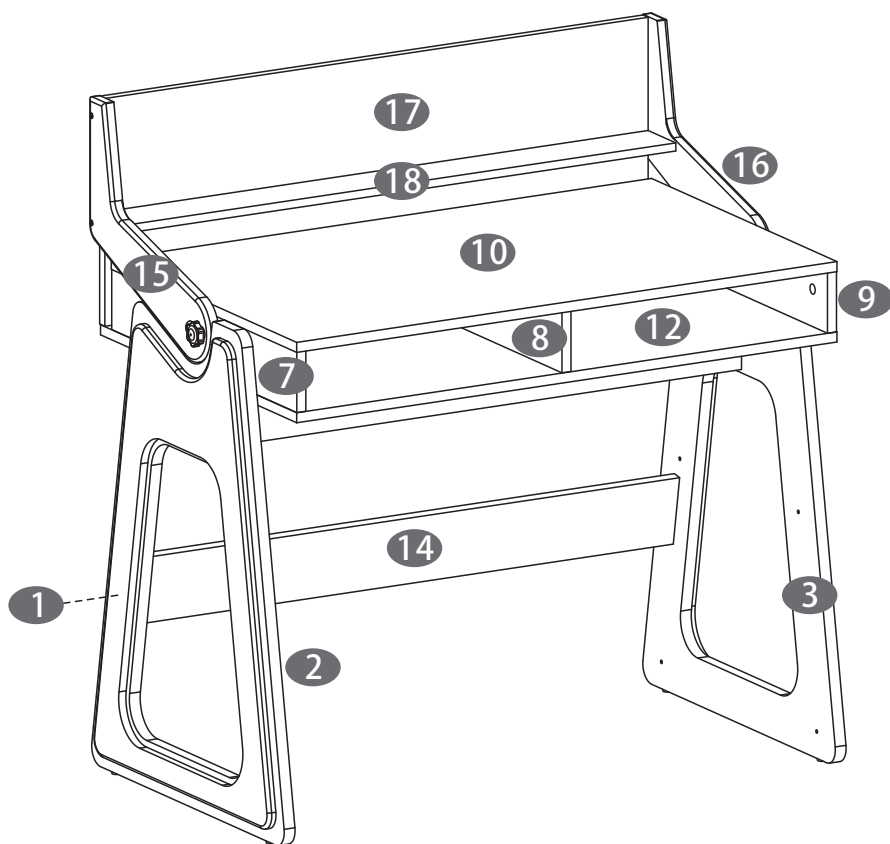
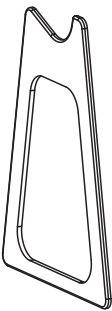
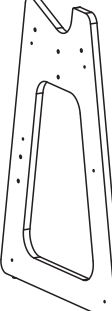
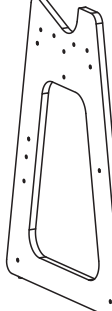
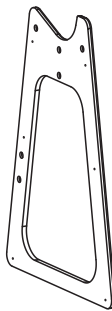

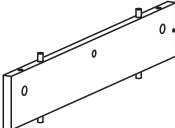
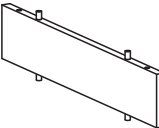
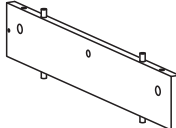



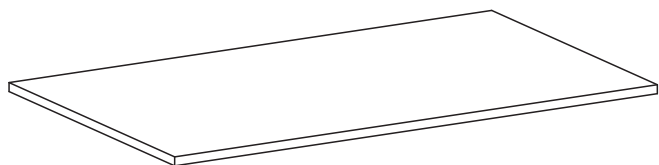
READ AND SAVE THIS INSTRUCTION FOR FUTURE USE

ASSEMBLY INSTRUCTION



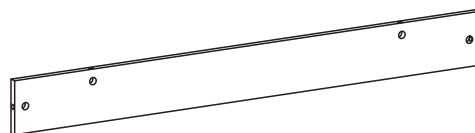
 <p>1</p> <p>X1</p>	 <p>2</p> <p>X1</p>	 <p>3</p> <p>X1</p>	 <p>4</p> <p>X1</p>
 <p>5</p> <p>X2</p>	 <p>7</p> <p>X1</p>	 <p>8</p> <p>X1</p>	 <p>9</p> <p>X1</p>
 <p>6</p> <p>X2</p>			

10



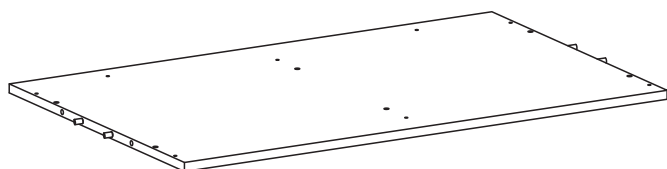
X1

11



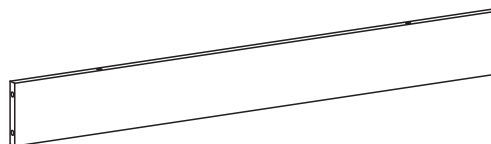
X1

12



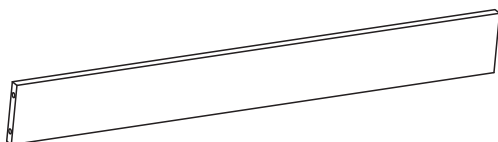
X1

13



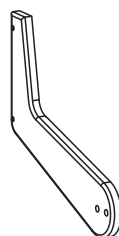
X1

14



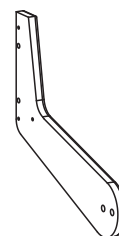
X1

15



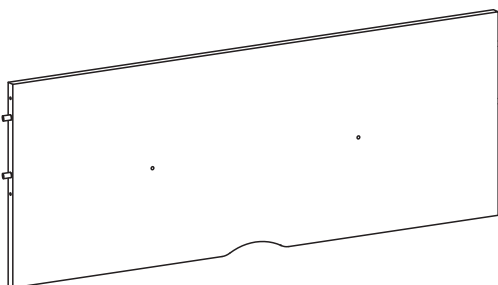
X1

16



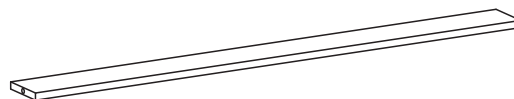
X1

17



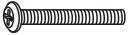
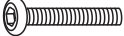

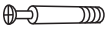








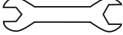
X1

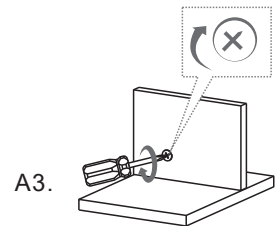
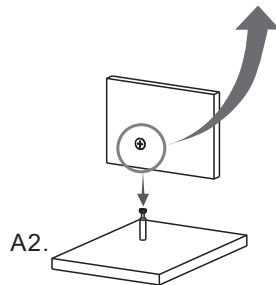
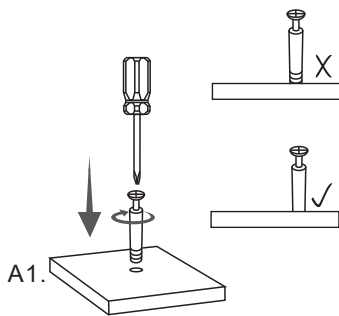
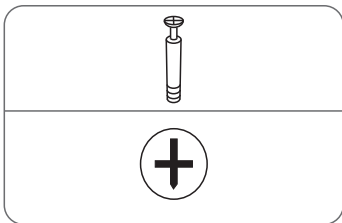
18

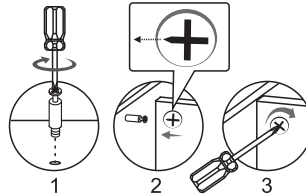
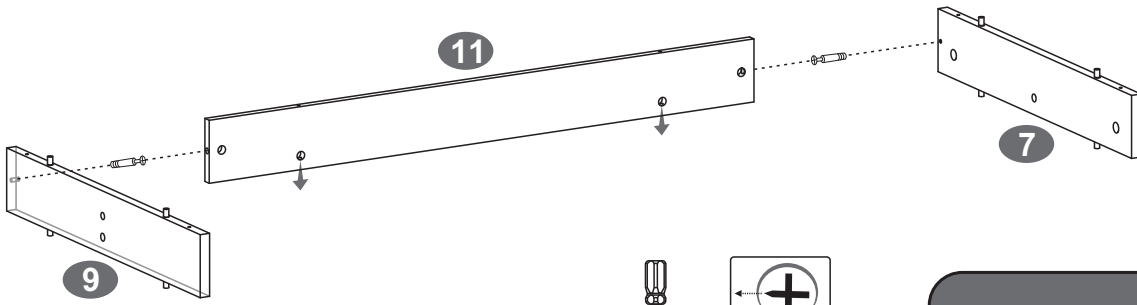




X1

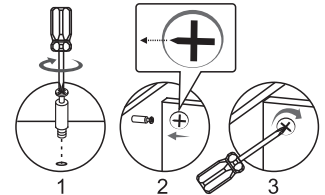
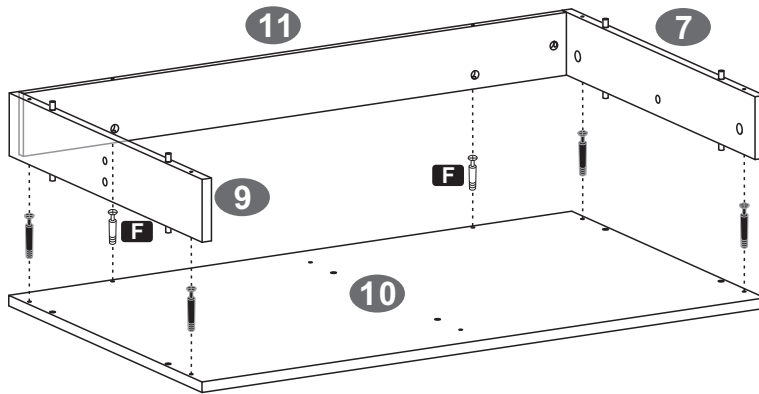
PART	QTY.	ITEM	
A	8	6X40 MM	
B	12	4X28 MM	
C	12	6X55 MM	
D	2	8X45 MM	
E	12	5X40 MM	
F	8	6X25 MM	
G	2	M 8	





PART	QTY.	ITEM	
H	2	Φ 20MM	
I	2	Φ 24MM	
J	2	Φ 16MM	
	1	M 5	
	1		
	1		

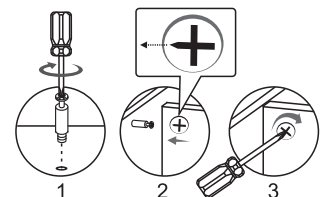
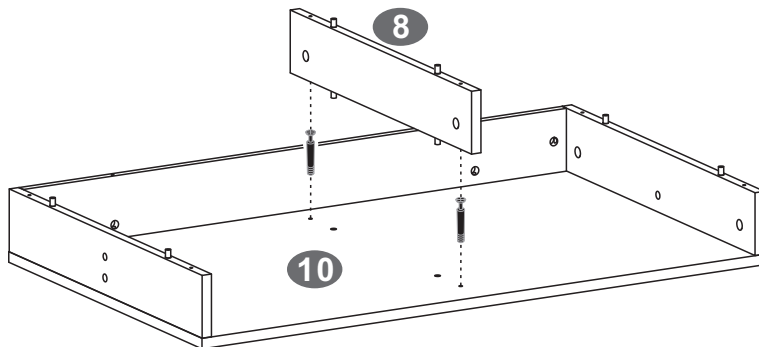






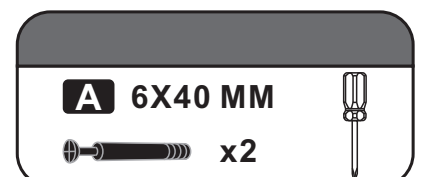
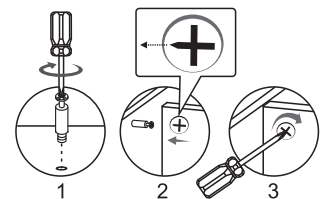
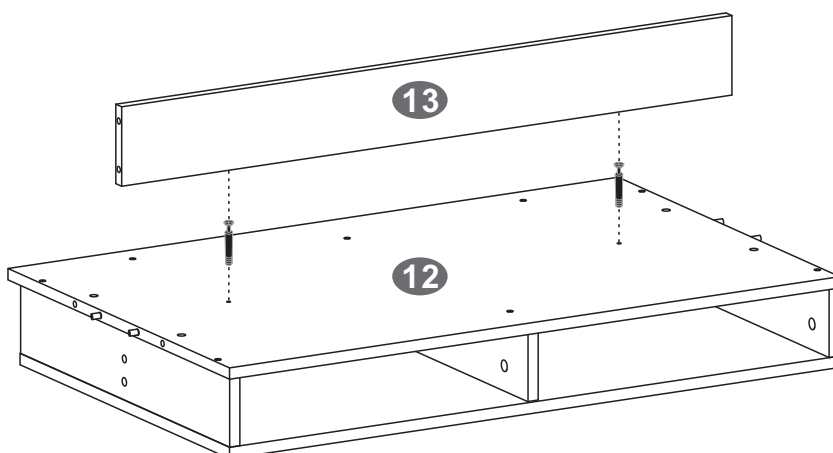
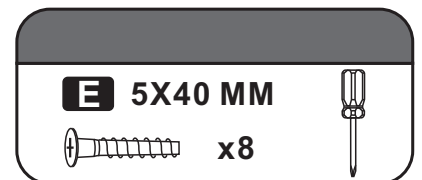
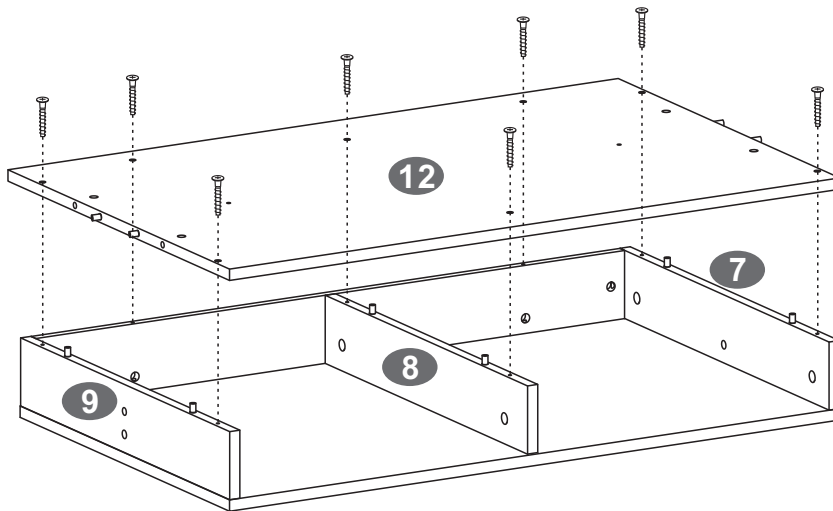
F 6X25 MM	
 x2	

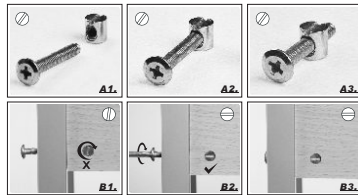
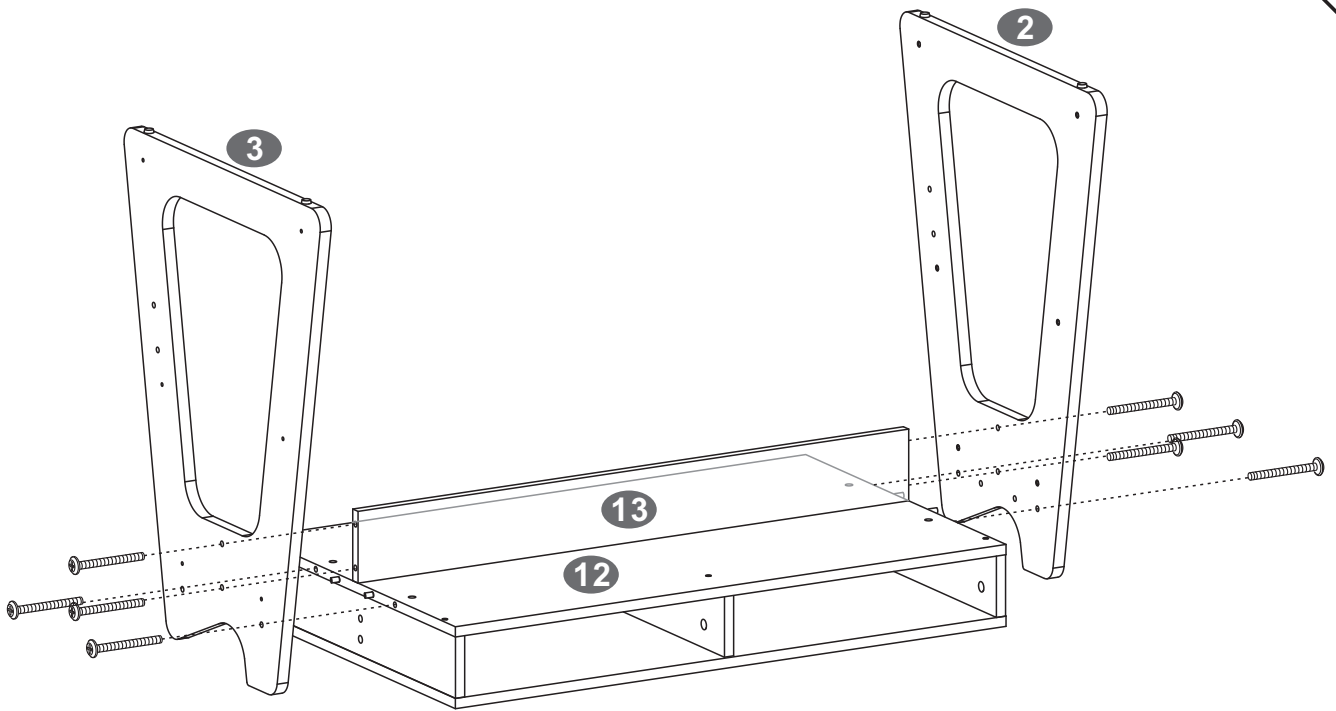


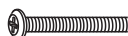

A 6X40 MM	
 x4	
F 6X25 MM	
 x2	

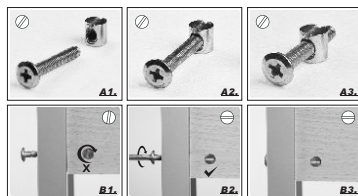
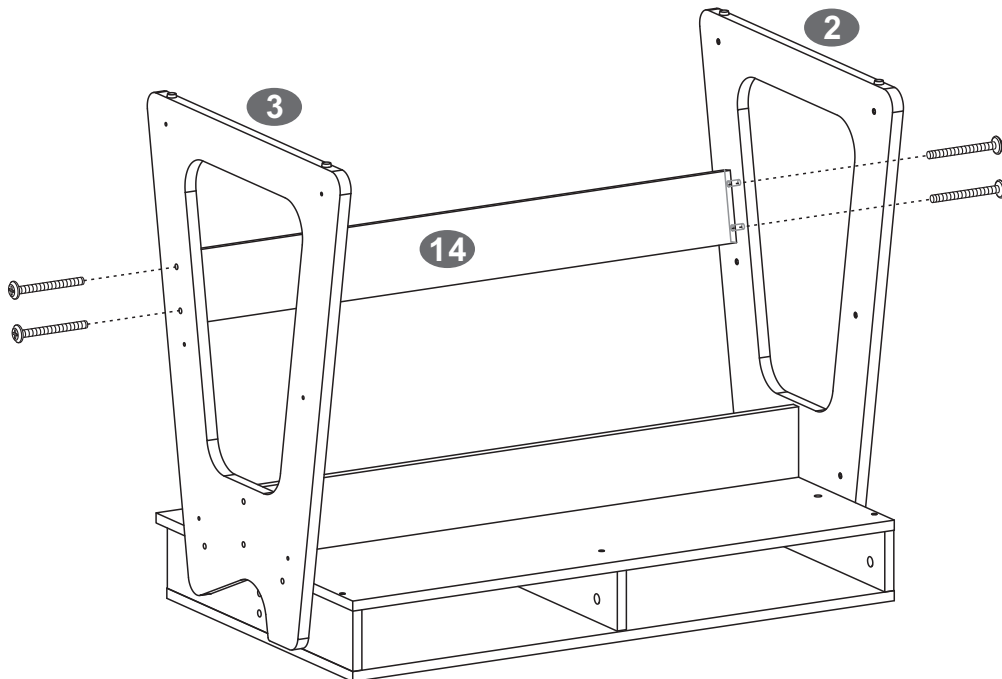




A 6X40 MM	
 x2	

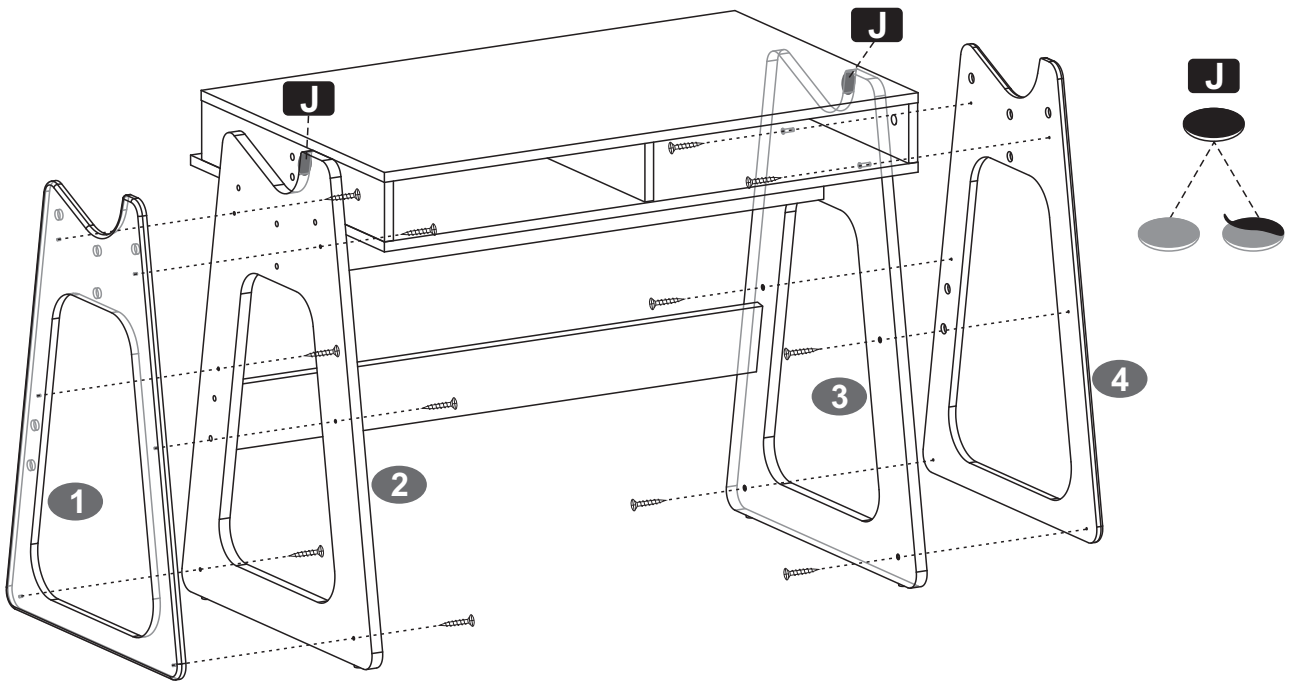







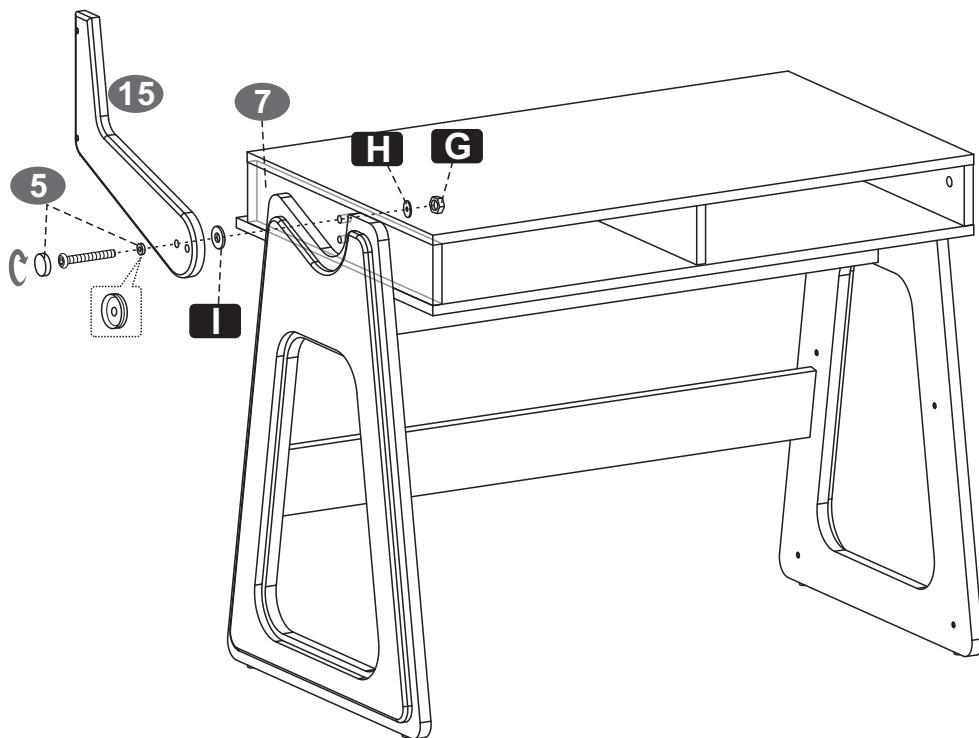
C 6X55 MM  x8 


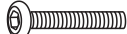






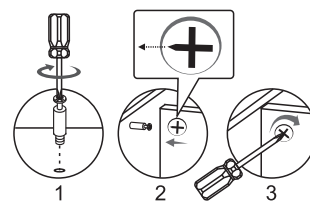
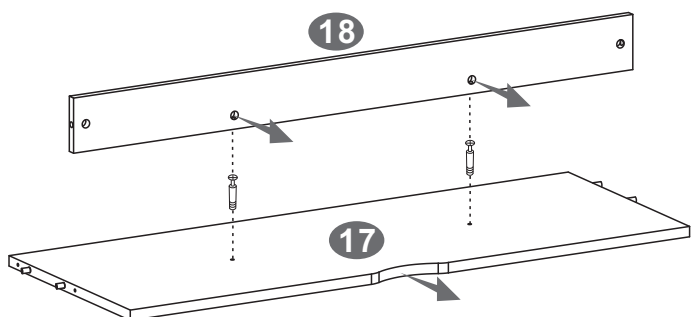
C 6X55 MM  x4 


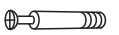


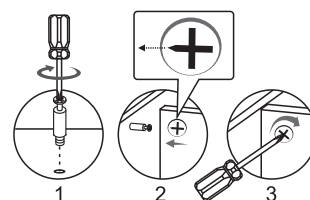
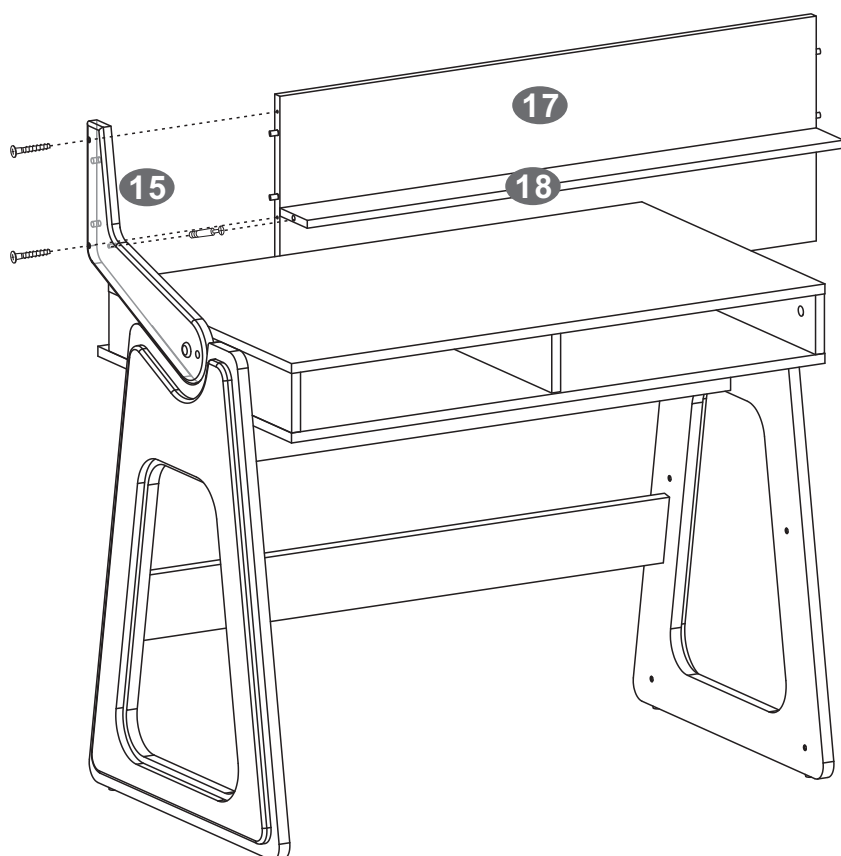
<p>J Φ 16MM</p> <p> x2</p>	<p>B 4X28 MM</p> <p> x12</p> <p></p>
---	---







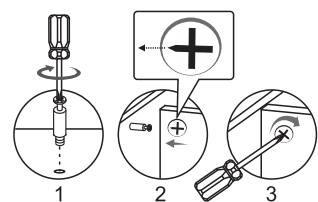
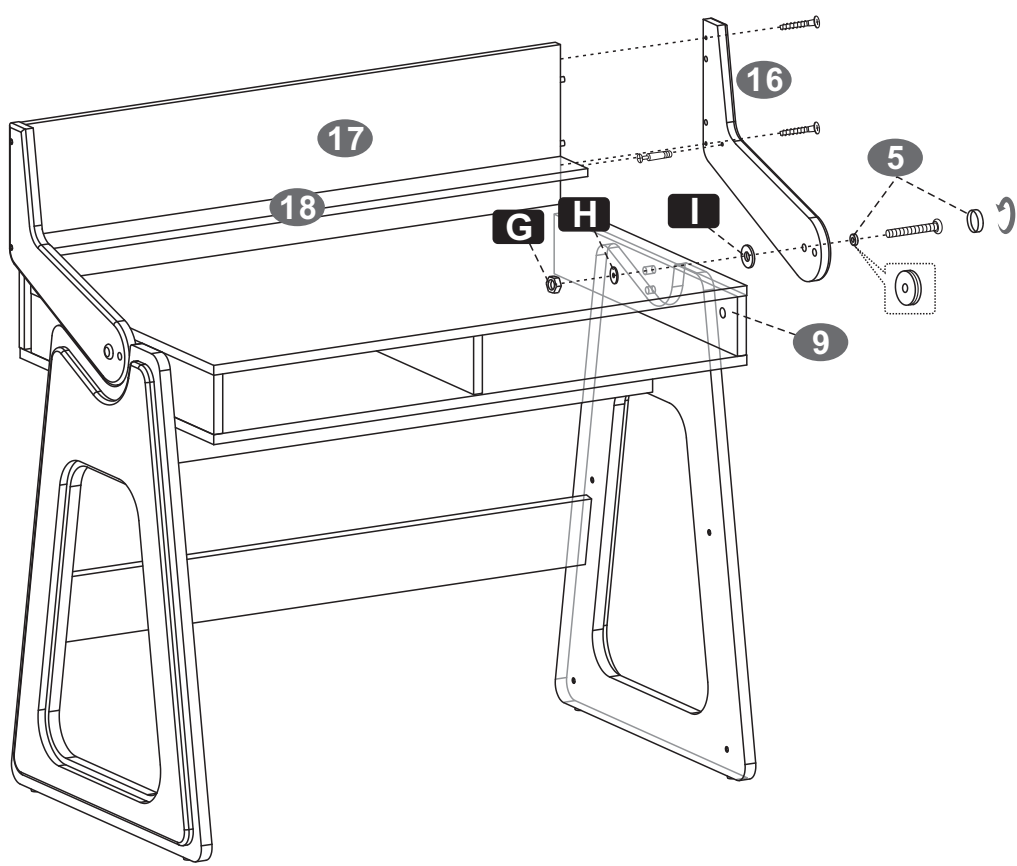
<p>H Φ 20MM</p> <p> x1</p>	<p>D 8X45 MM</p> <p> x1</p> <p></p>
<p>I Φ 24MM</p> <p> x1</p>	<p>G M 8</p> <p> x1</p> <p></p>


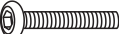



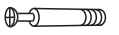


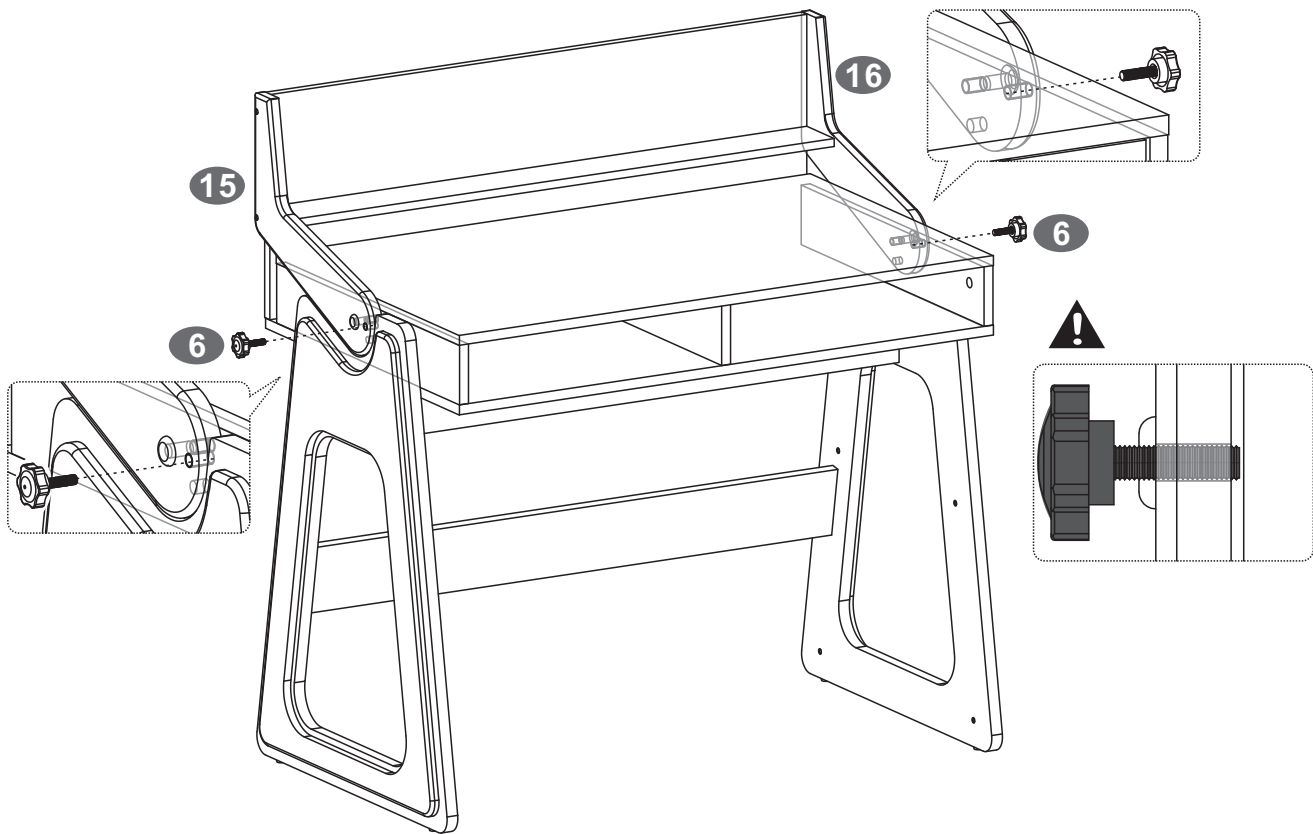
F	6X25 MM	
	x2	



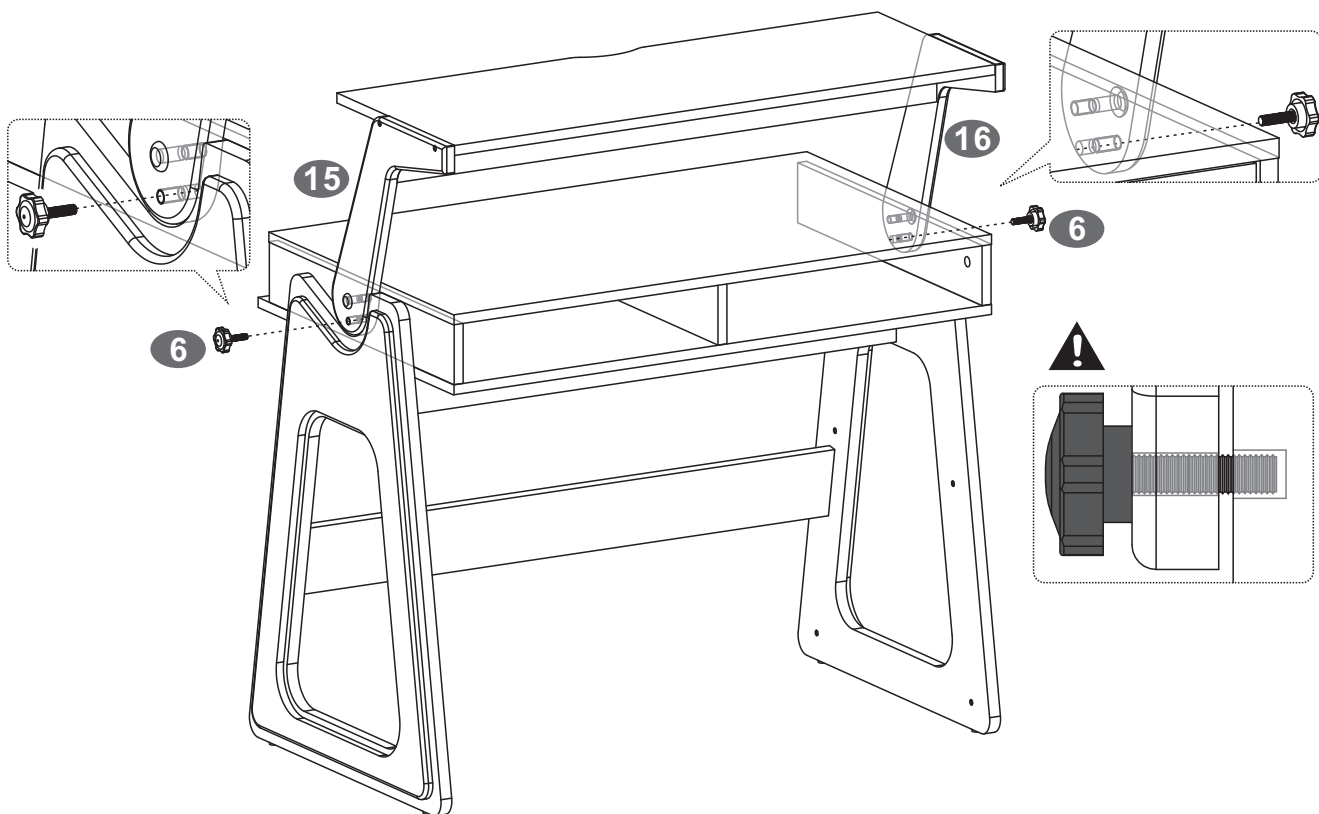
E	5X40 MM	
	x2	
F	6X25 MM	
	x1	



<p>H Φ 20MM  x1</p>	<p>D 8X45 MM  x1</p>	<p>E 5X40 MM  x2</p>
<p>I Φ 24MM  x1</p>	<p>G M 8  x1</p>	<p>F 6X25 MM  x1</p>



OR



US



001-877-644-9366
customerservice@aosom.com

CA



001-855-537-6088
customerservice@aosom.ca

UK



0044-800-240-4004
enquiries@mhstar.co.uk

DE



0049-(0)40-88307530
service@aosom.de

FR



0033-1-84166106
contact@aosom.fr

ES



0034-931294512
atencioncliente@aosom.es

IT



0039-0249471447
clienti@aosom.it