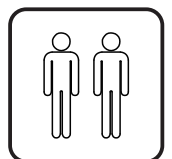
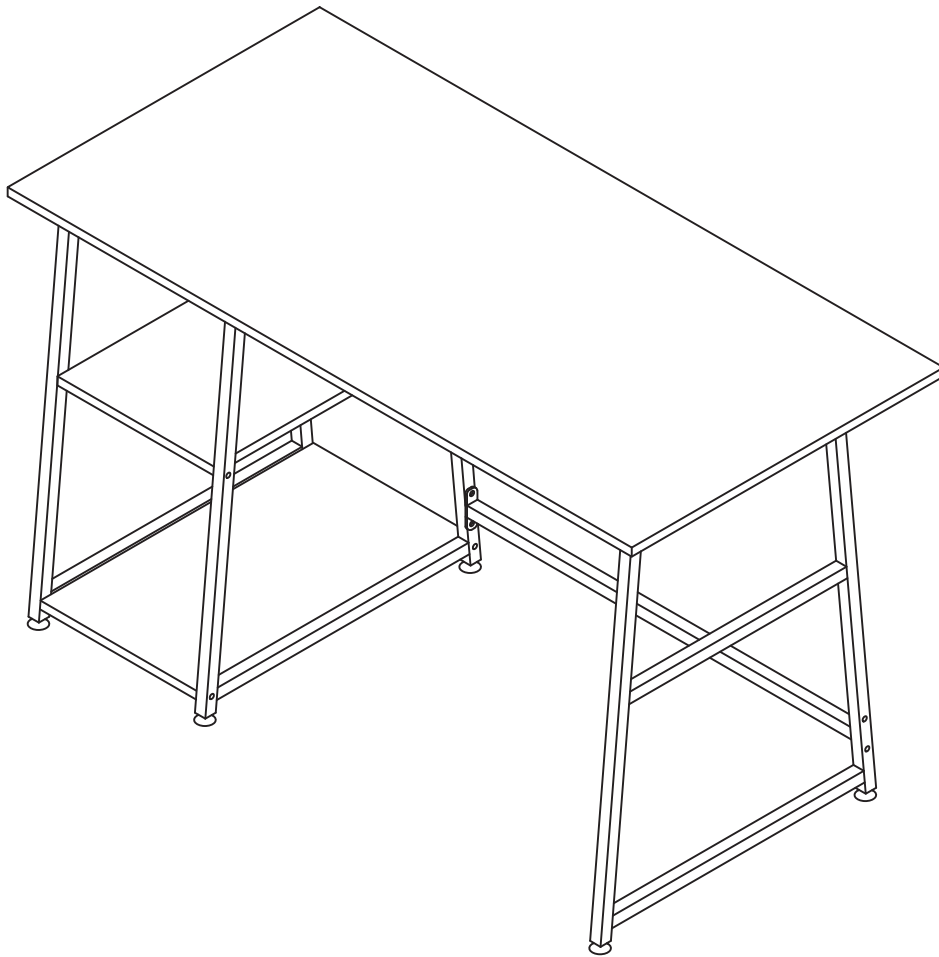




INc2a032_GL

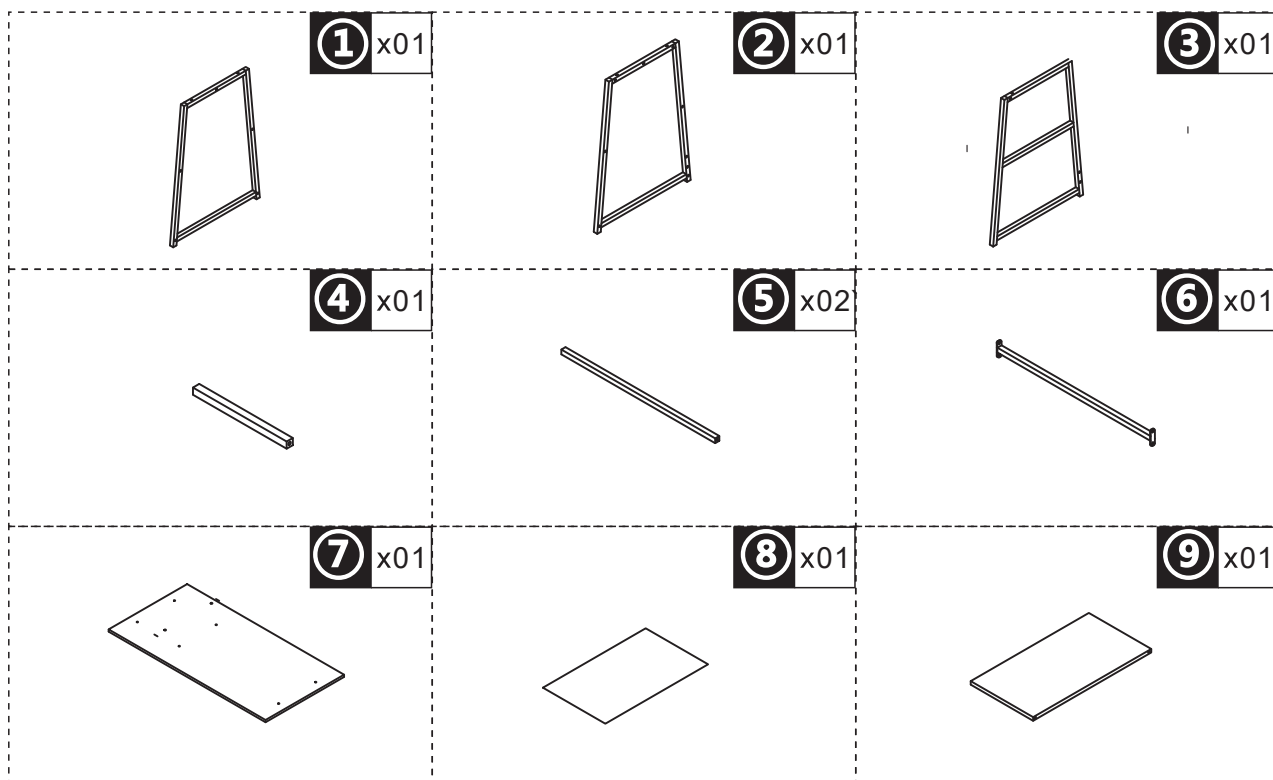
836-460



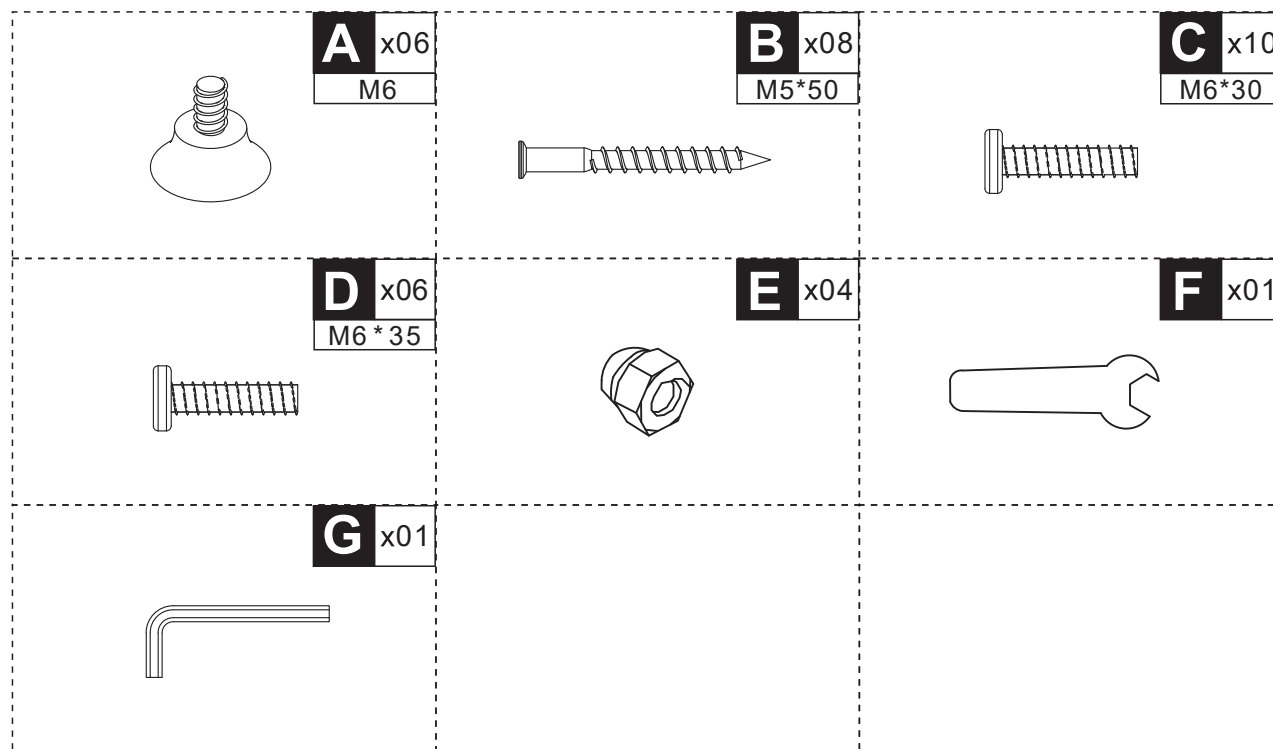
IMPORTANT, RETAIN FOR FUTURE REFERENCE: READ CAREFULLY

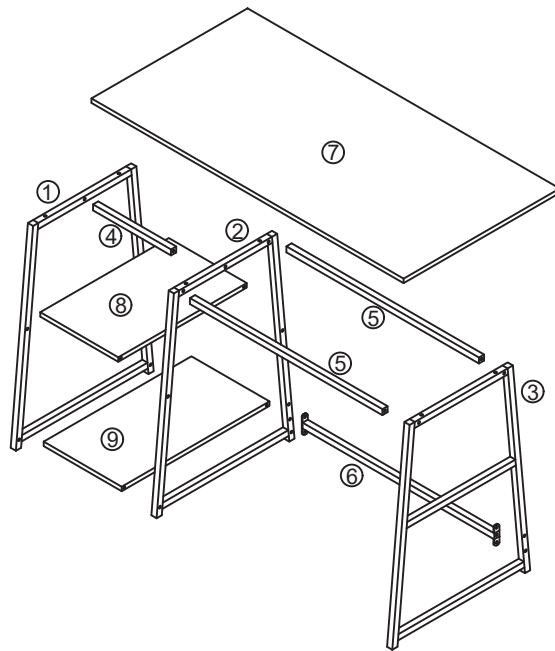
ASSEMBLY & INSTRUCTION MANUAL

PARTS



HARDWARE





01

① x 2

② x 4

③ x 2

Ⓐ x 6

02

⑤ x 2

Ⓓ x 4

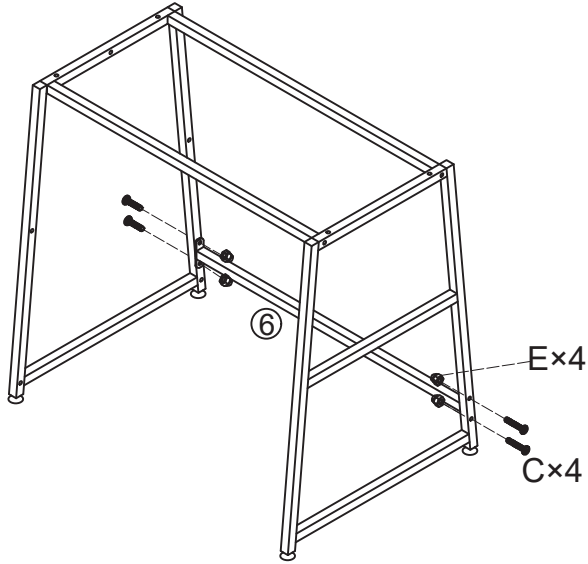
⑥ x 1



③ x 4



⑤ x 4



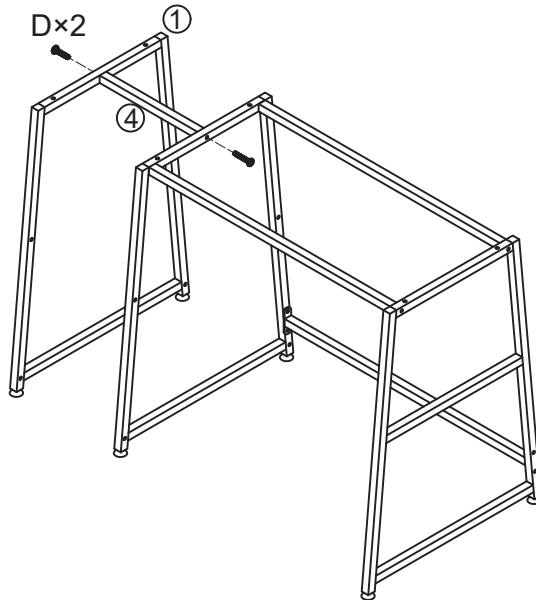
① x 1



④ x 4



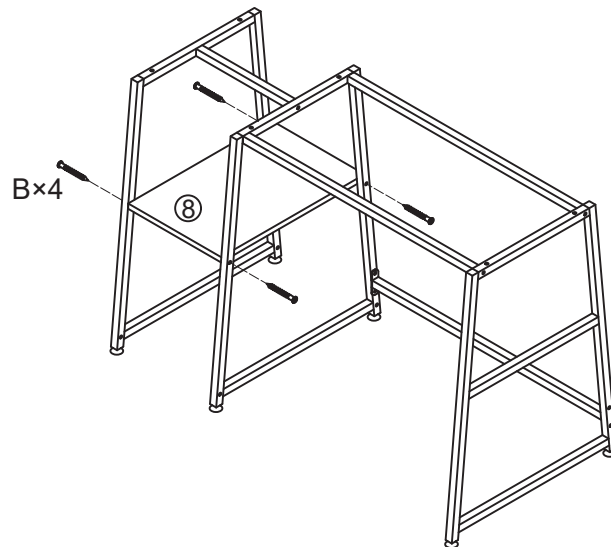
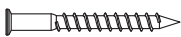
② x 2

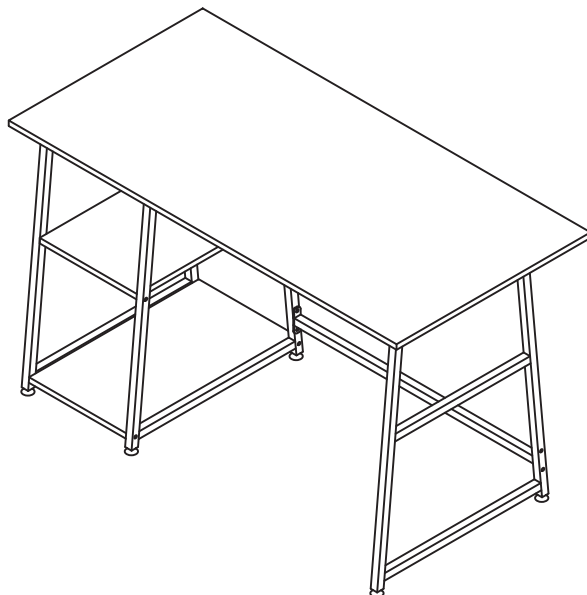
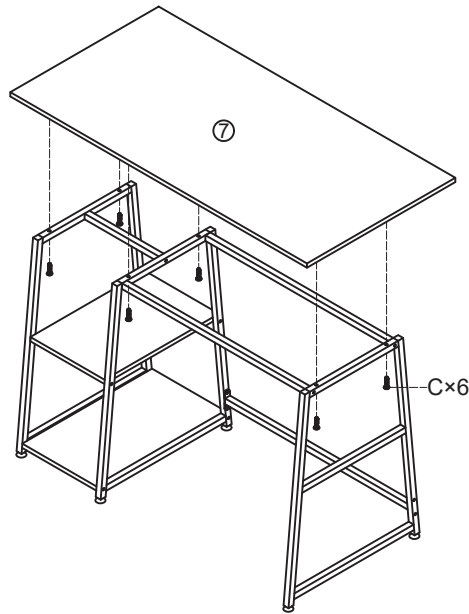
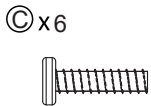
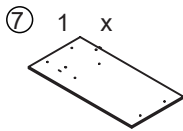
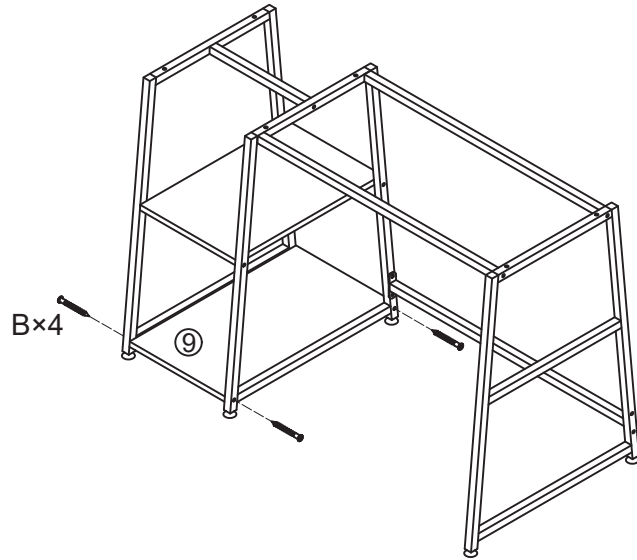
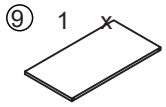


⑧ x 1



⑦ x 4





US



001-877-644-9366
customerservice@aosom.com

CA



001-855-537-6088
customerservice@aosom.ca

UK



0044-800-240-4004
enquiries@mhstar.co.uk

DE



0049-(0)40-88307530
service@aosom.de

FR



0033-1-84166106
contact@aosom.fr

ES



0034-931294512
atencioncliente@aosom.es

IT



0039-0249471447
clienti@aosom.it