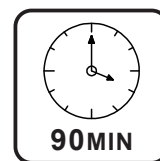
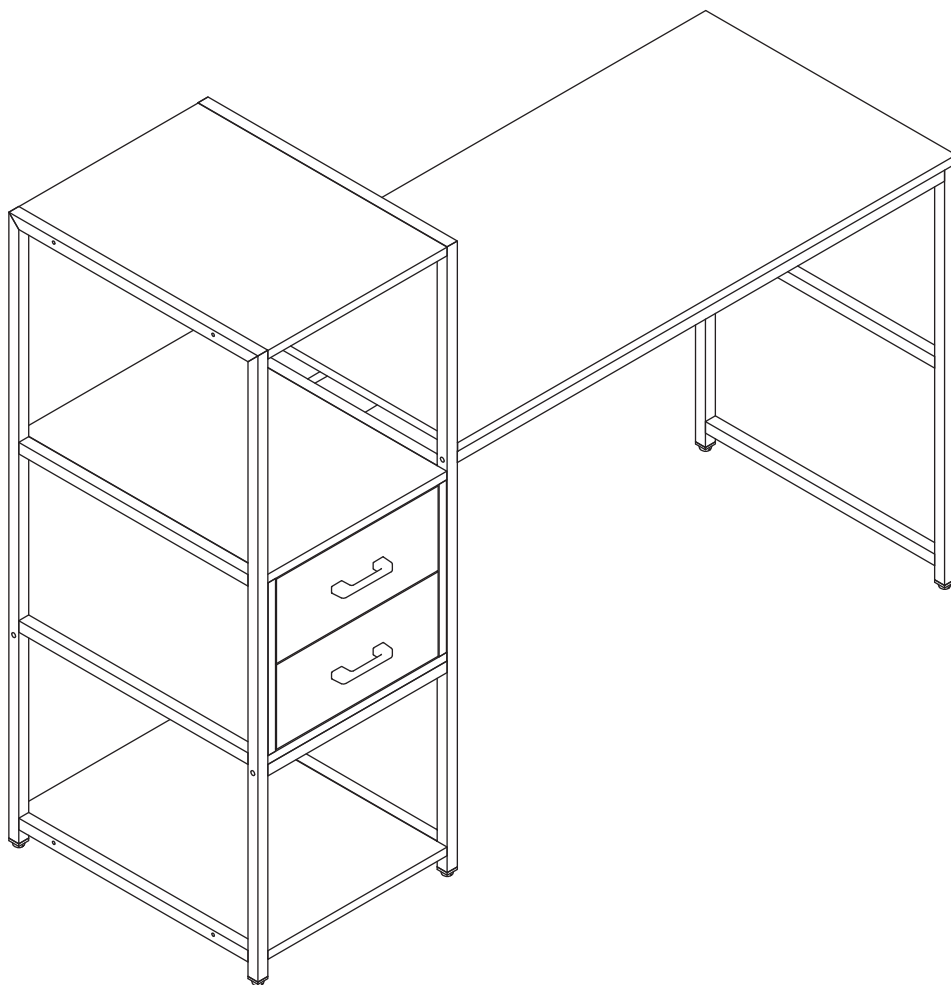




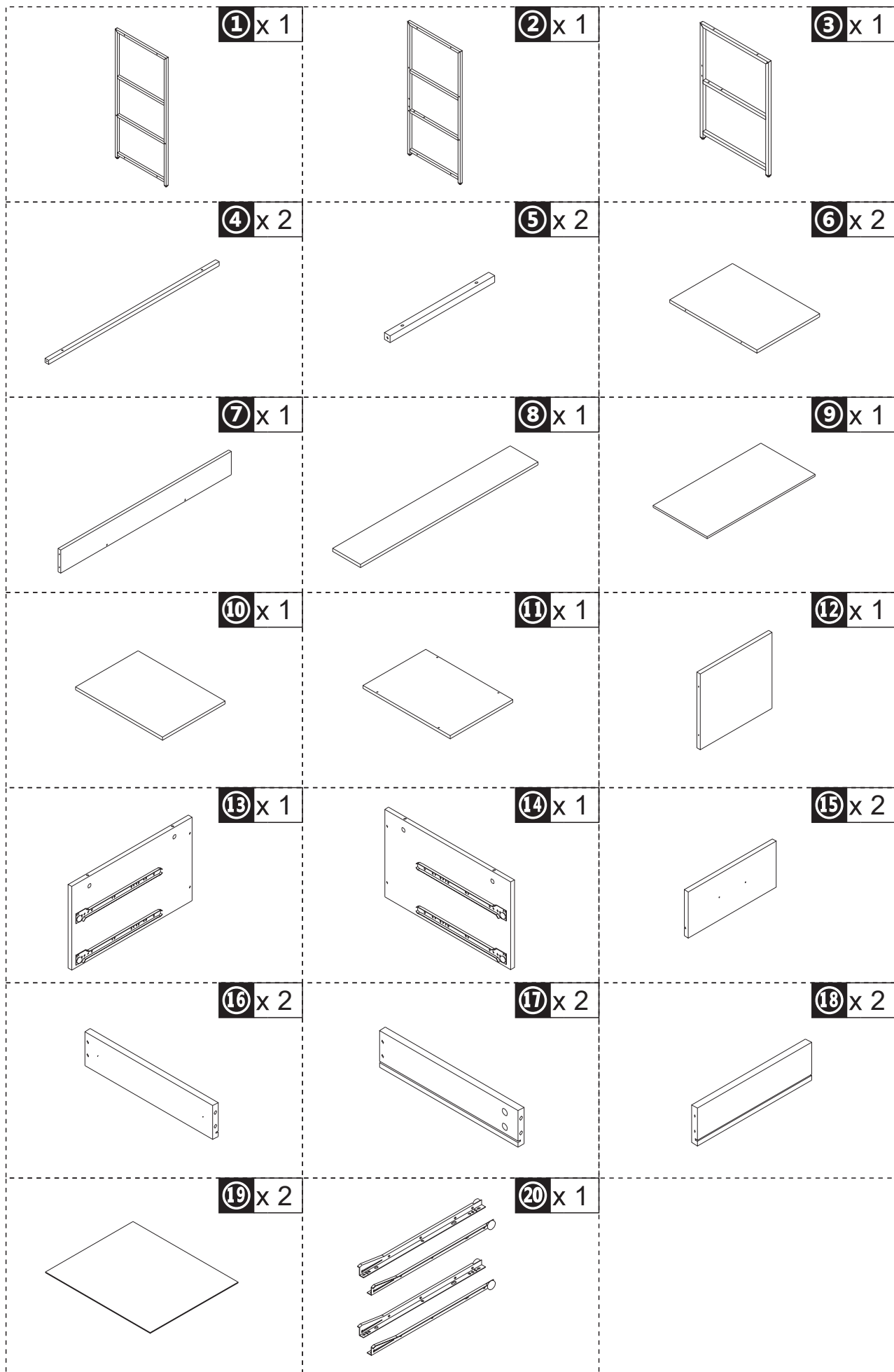
INc2a037_GL

836-479_836-479V01

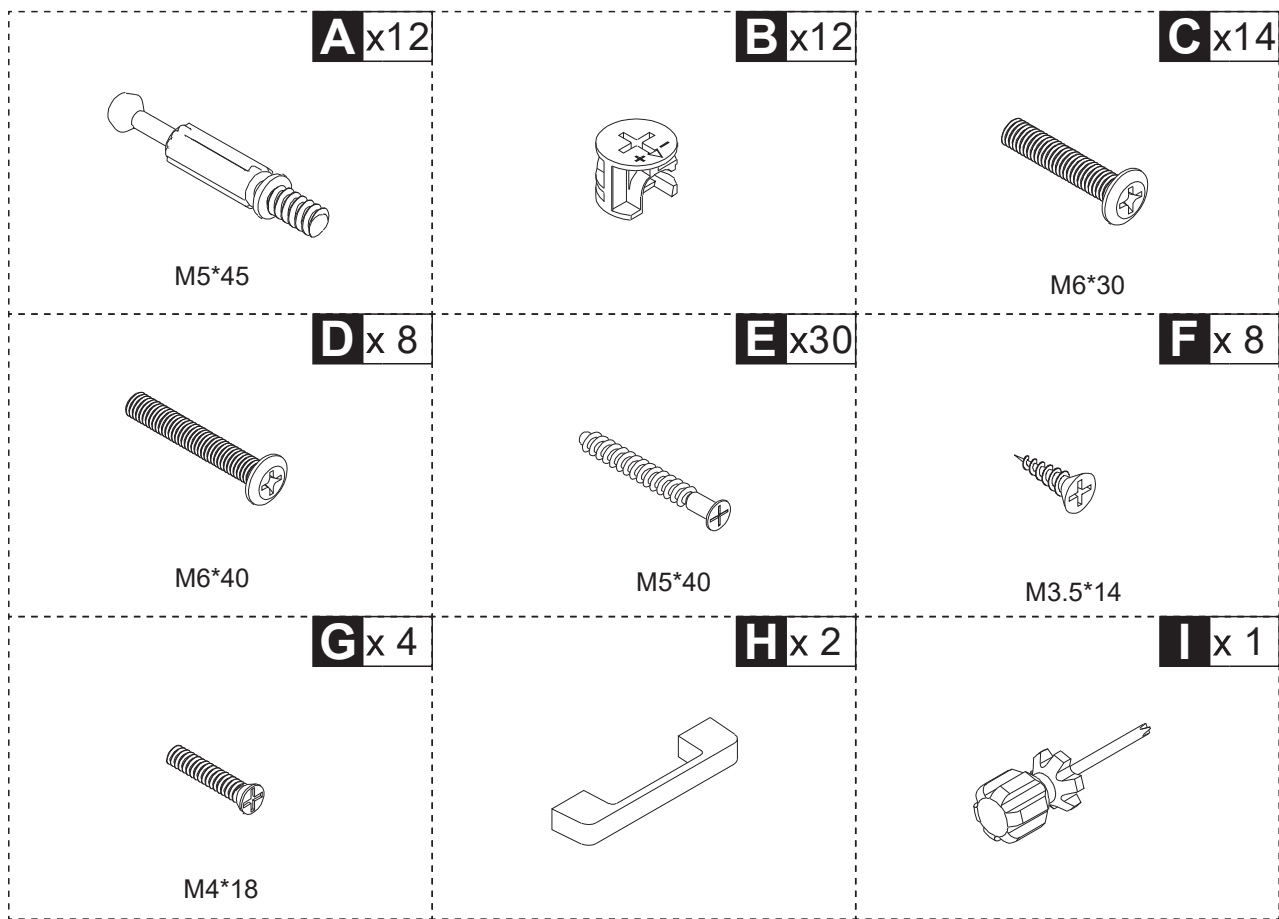


IMPORTANT, RETAIN FOR FUTURE REFERENCE: READ CAREFULLY

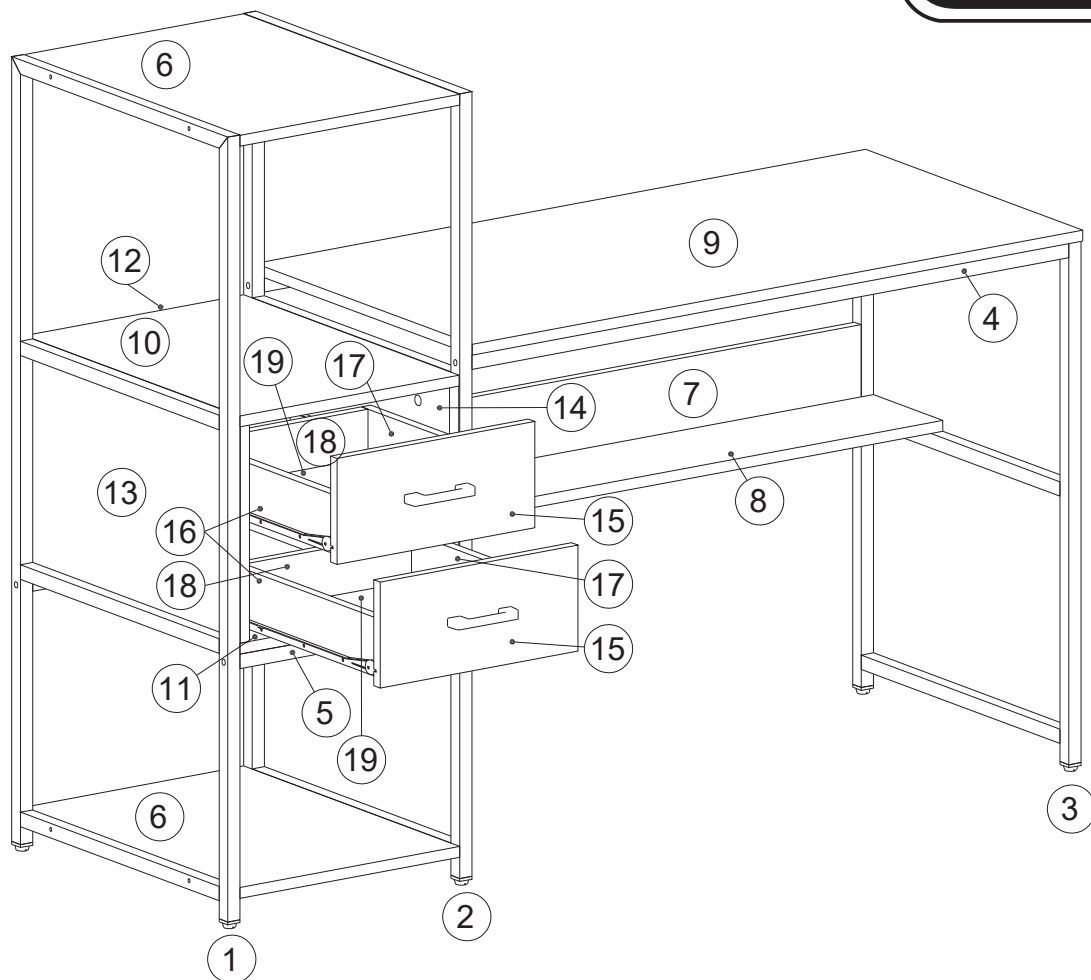
ASSEMBLY & INSTRUCTION MANUAL



HARDWARE

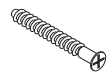
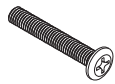


EXPLOSION FIGURE



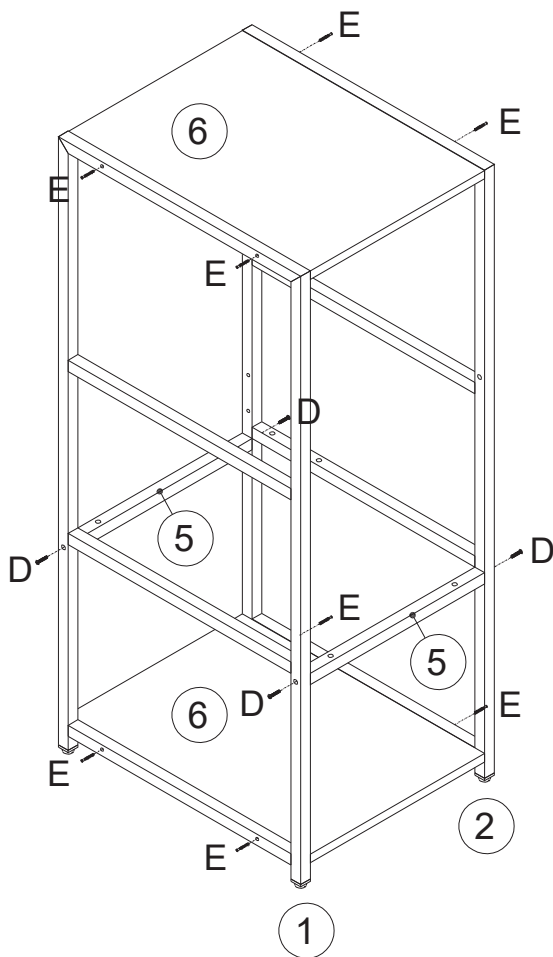
D M6*40

E M5*40



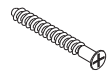
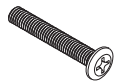
4 PCS

8 PCS



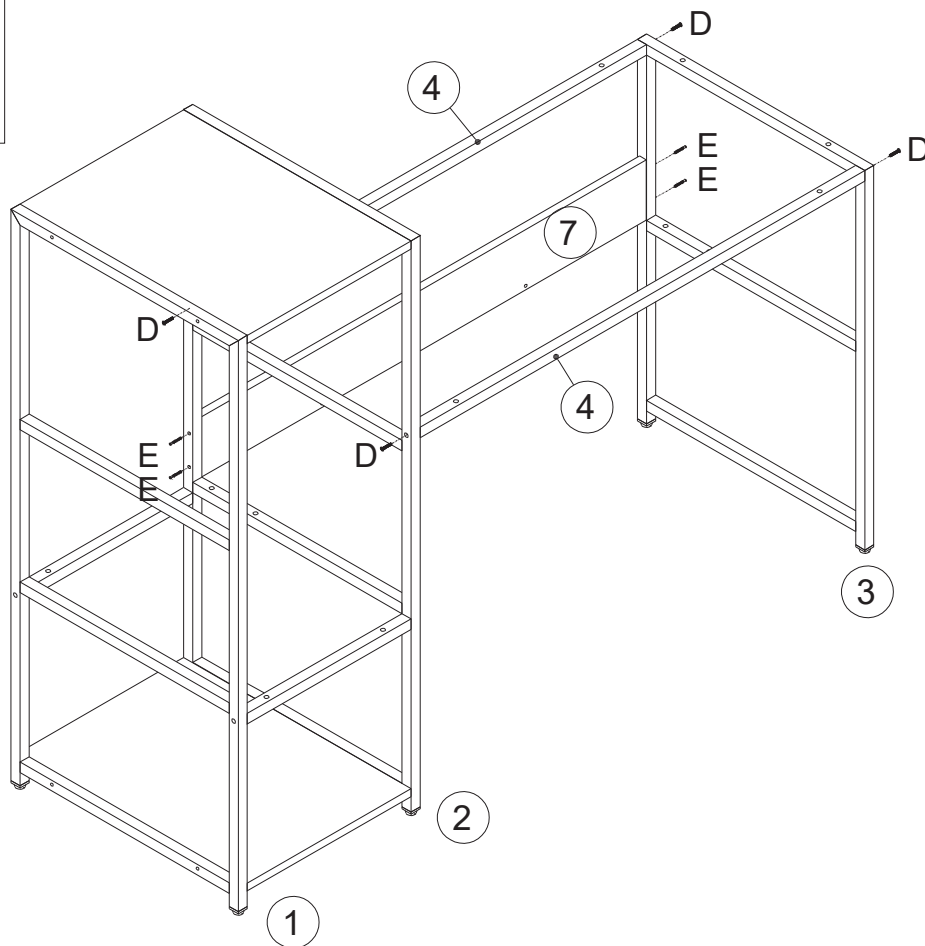
D M6*40

E M5*40



4 PCS

4 PCS



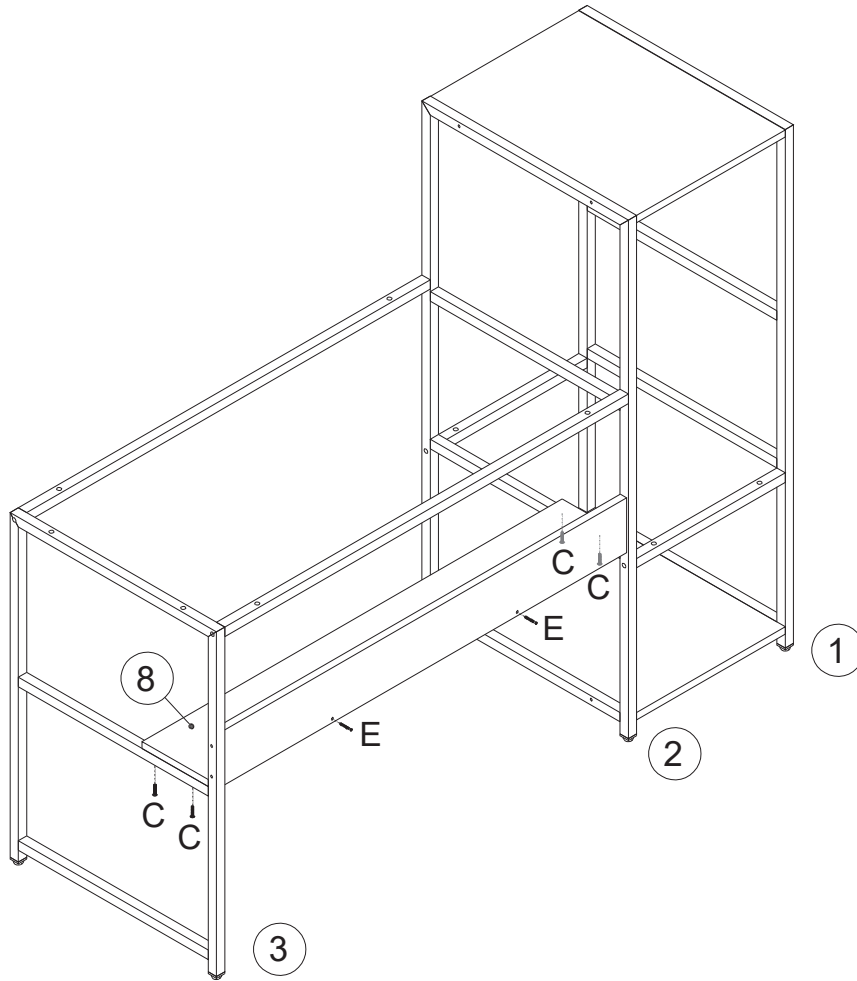
C M6*30

E M5*40



4 PCS

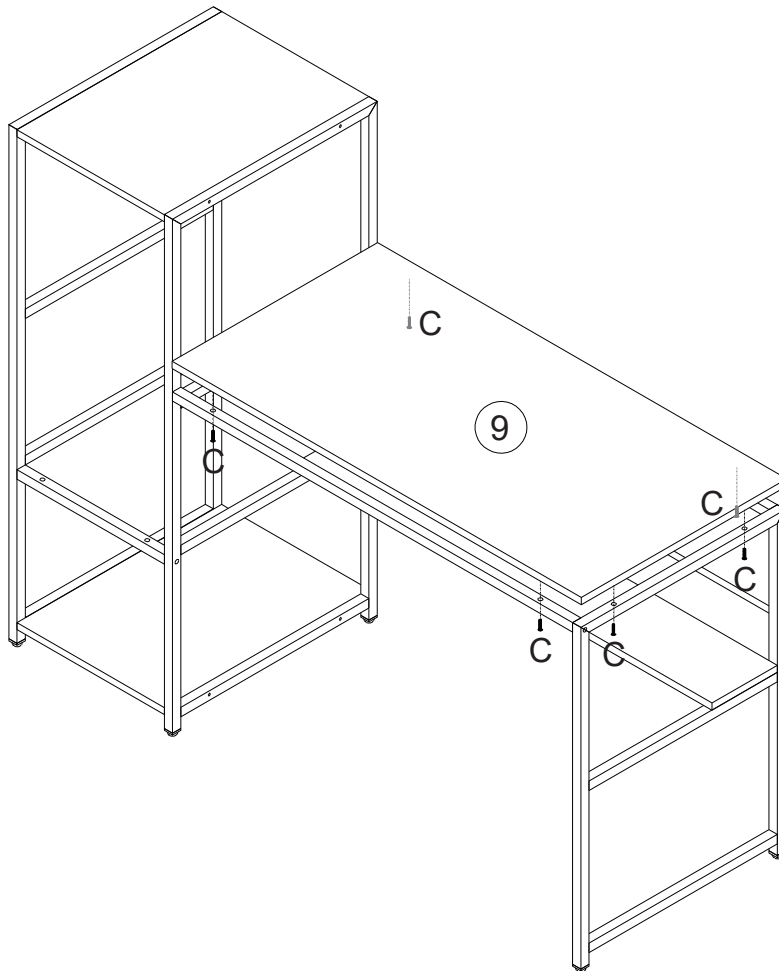
2 PCS



C M6*30



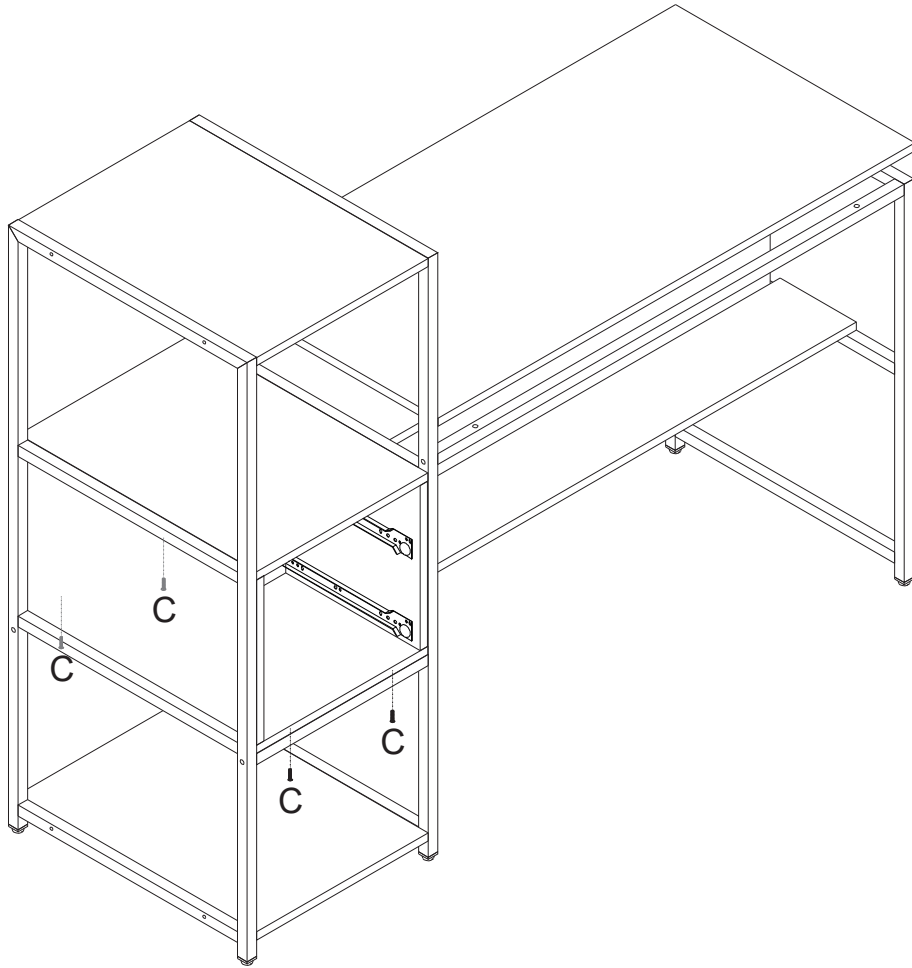
6 PCS



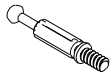
C M6*30



4 PCS



A M5*45



8 PCS

B 15



8 PCS

E M5*40



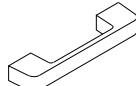
8 PCS

G M4*18

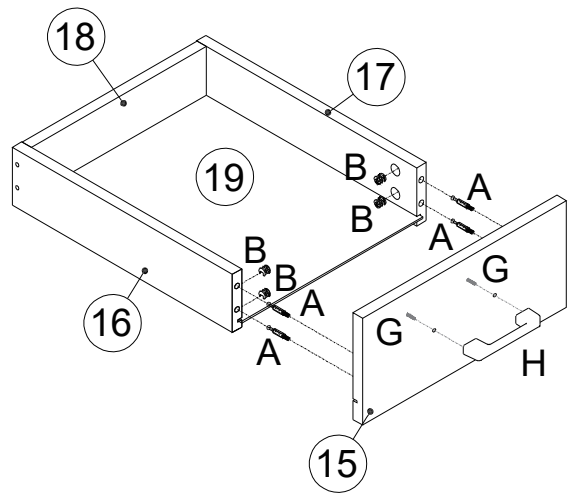
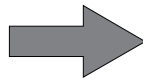
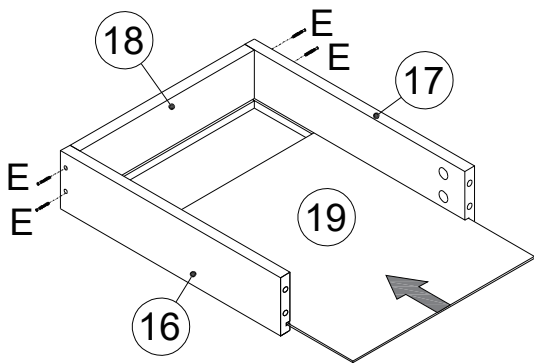


4 PCS

H



2 PCS



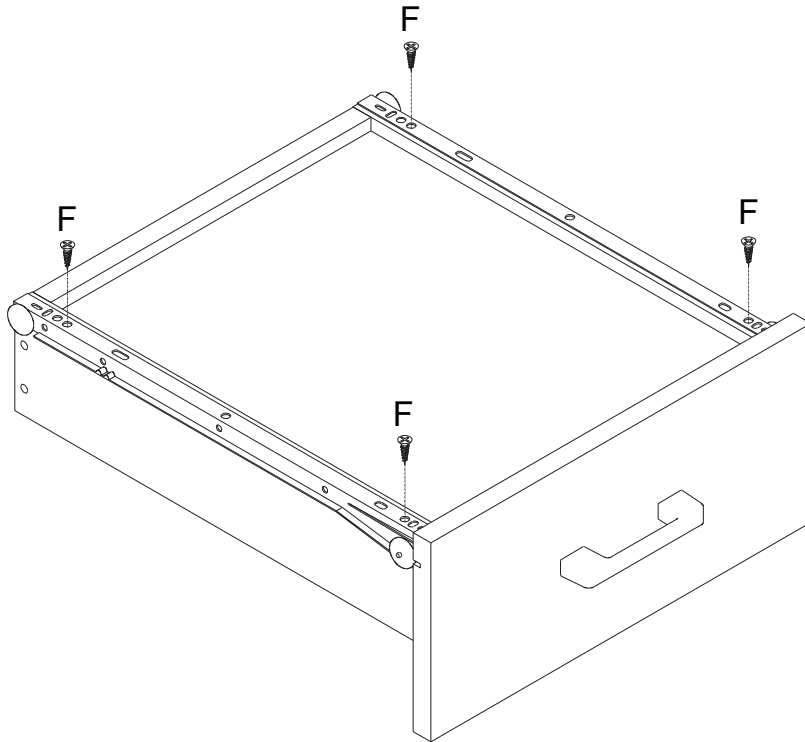
x2

F M3.5*14



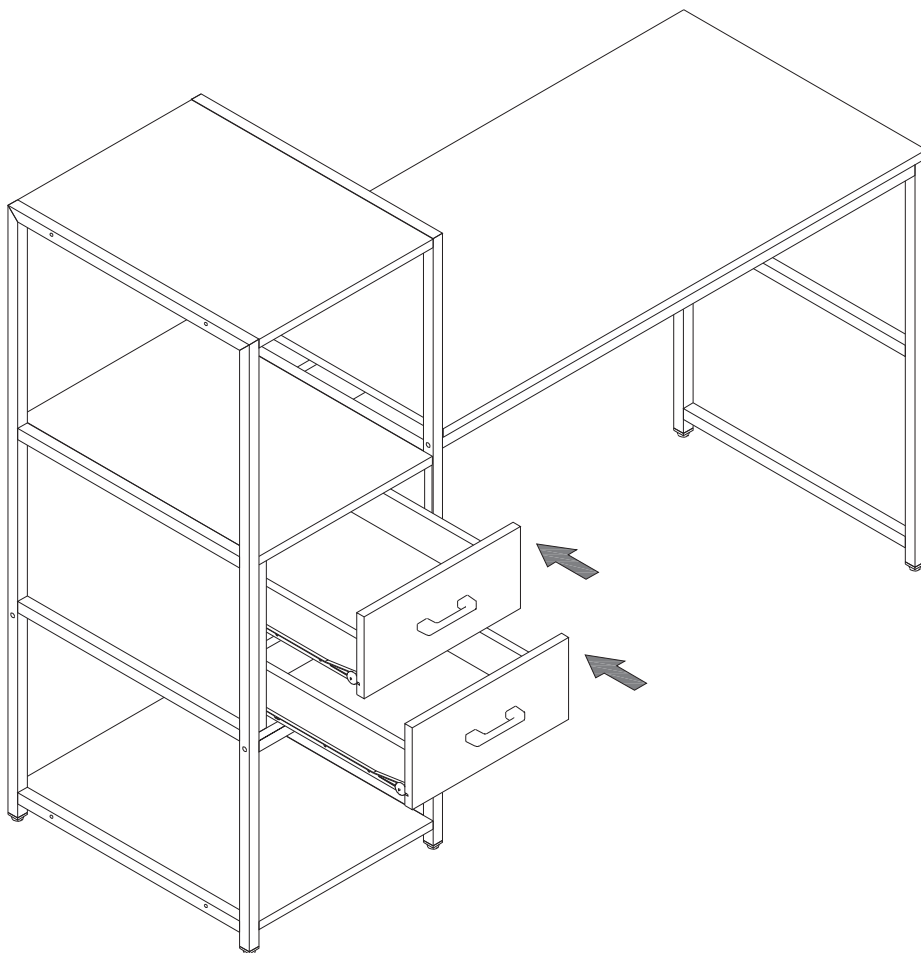
8 PCS

09



x2

Done



US



001-877-644-9366
customerservice@aosom.com

CA



001-855-537-6088
customerservice@aosom.ca

UK



0044-800-240-4004
enquiries@mhstar.co.uk

DE



0049-(0)40-88307530
service@aosom.de

FR



0033-1-84166106
contact@aosom.fr

ES



0034-931294512
atencioncliente@aosom.es

IT



0039-0249471447
clienti@aosom.it