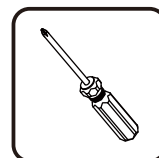
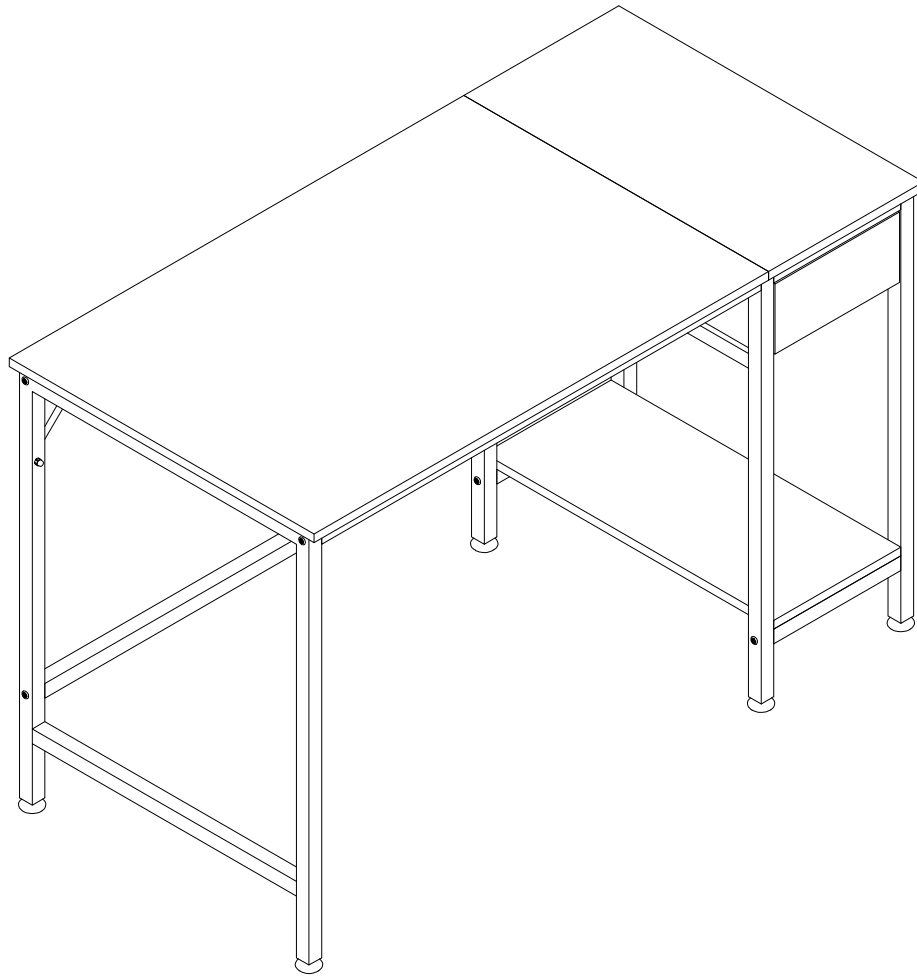




INc2a048_GL

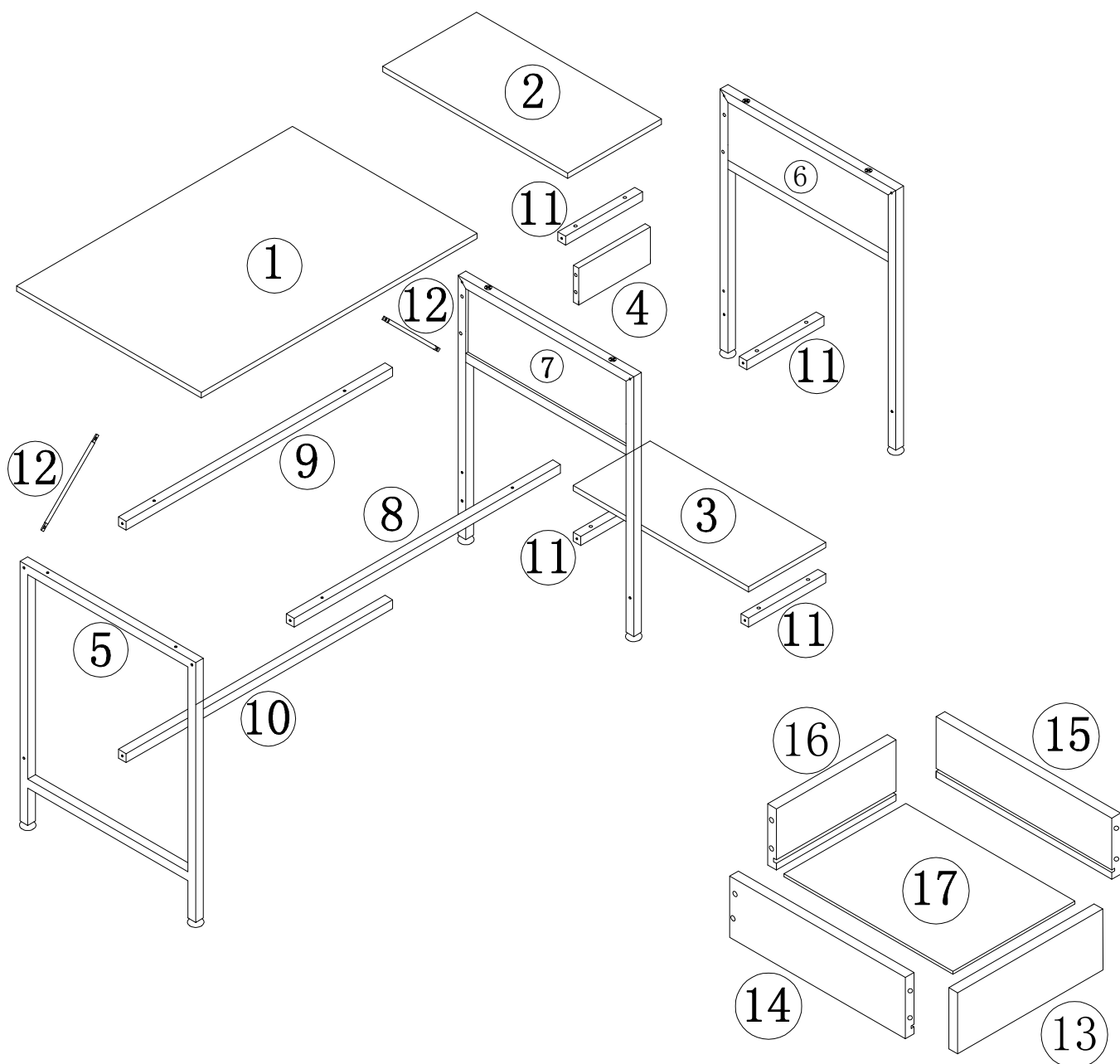
836-418



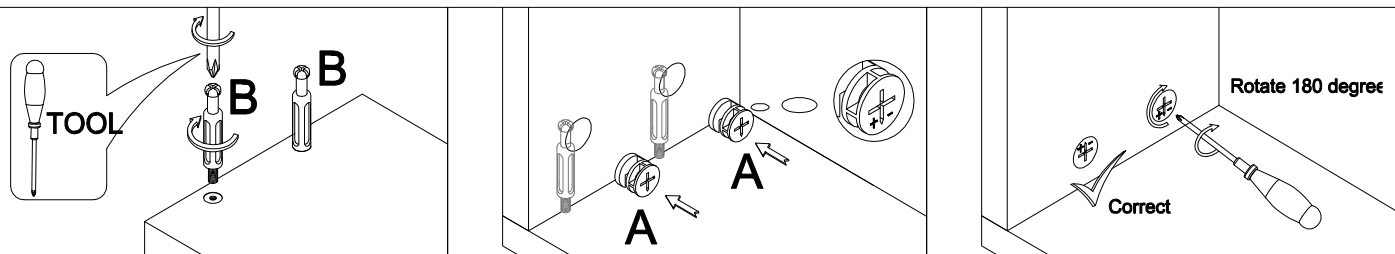
IMPORTANT, RETAIN FOR FUTURE REFERENCE: READ CAREFULLY

Tools Recommended

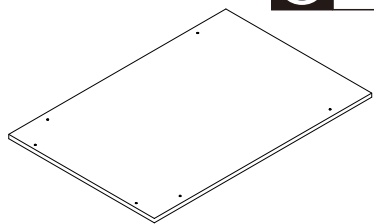
ASSEMBLY & INSTRUCTION MANUAL



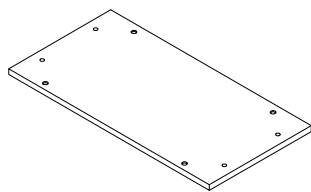
Disassembly and installation of accessories



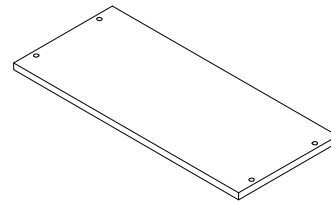
① x 1



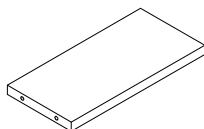
② x 1



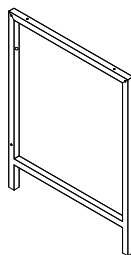
③ x 1



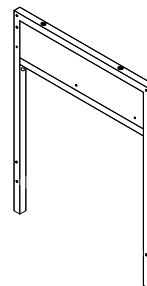
④ x 1



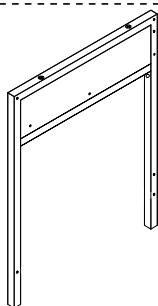
⑤ x 1



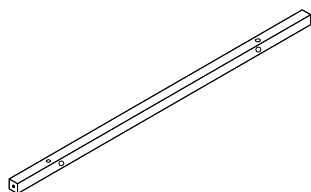
⑥ x 1



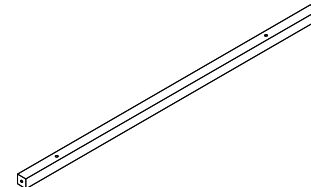
⑦ x 1



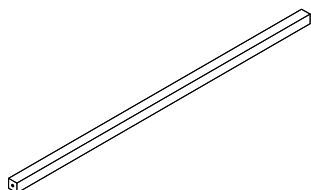
⑧ x 1



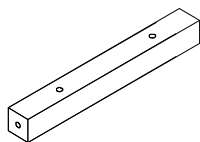
⑨ x 1



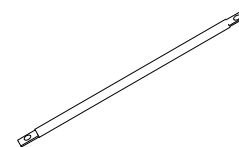
⑩ x 1



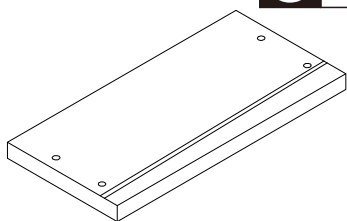
⑪ x 4



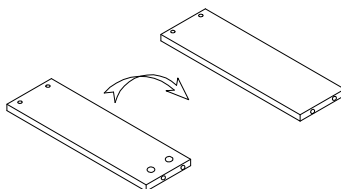
⑫ x 2



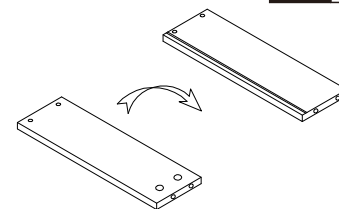
⑬ x 1



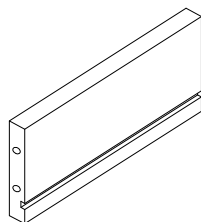
⑭ x 1



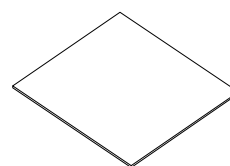
⑮ x 1

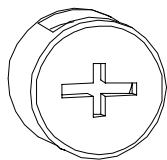


⑯ x 1



⑰ x 1

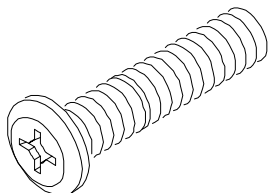




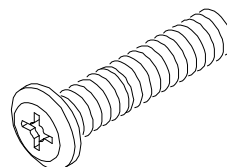
A x 4
M15*10



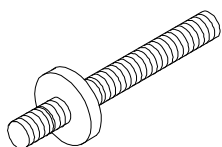
B x 4
M6*28



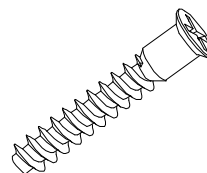
C x 18
M6*35
+1(spare)



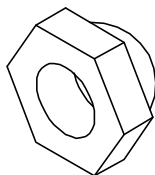
D x 10
M6*40
+1(spare)



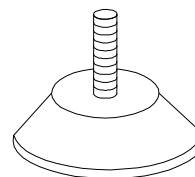
E x 2
M6*50



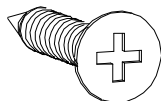
F x 8
M7*40
+1(spare)



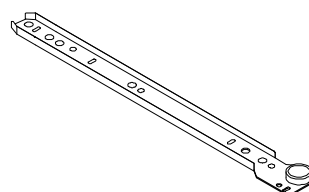
G x 4
M6



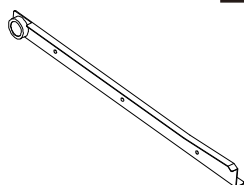
H x 6
M8*15
+1(spare)



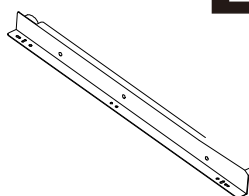
I x 8
M3.5*14
+1(spare)



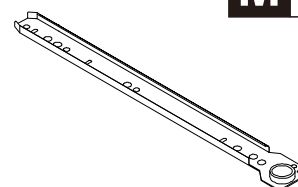
J x 1



K x 1



L x 1



M x 1

EN_Note : Do not tighten bolts fully until all parts are connected!


DE_Hinweis: Ziehen Sie die Schrauben erst fest an, wenn alle Teile verbunden sind!

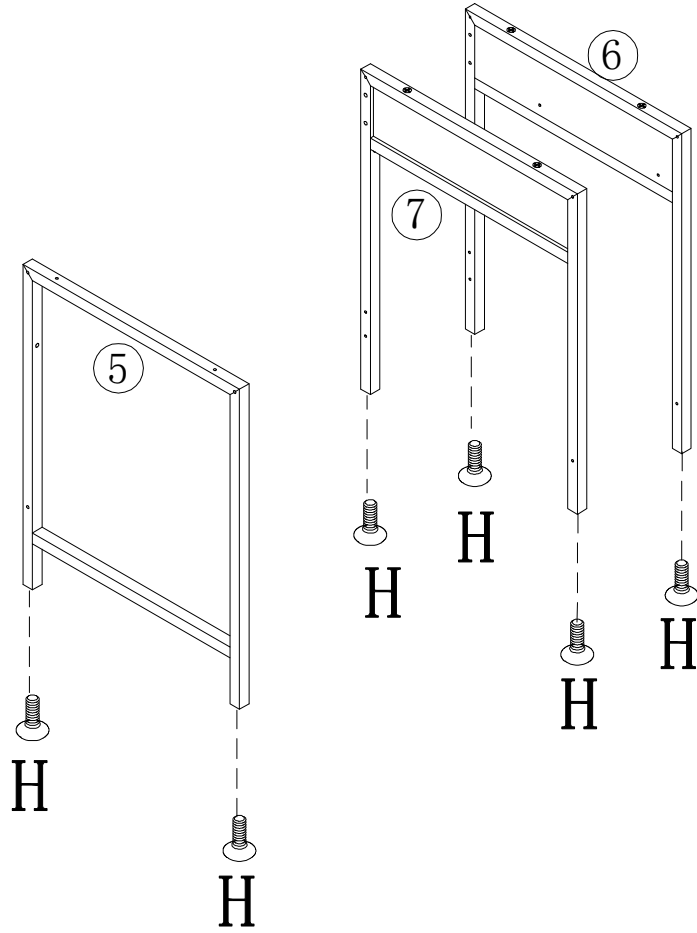
IT_Nota: non serrare completamente i bulloni fino a tutte le parti non sono ancora collegate!

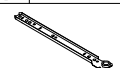

FR_Note : Ne serrez pas les boulons à fond tant que toutes les pièces ne sont pas connectées!

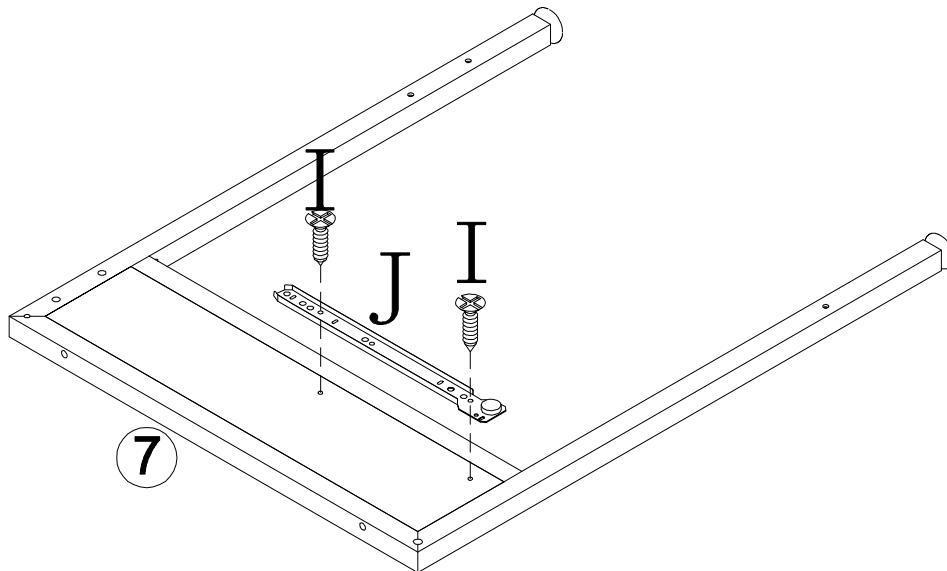
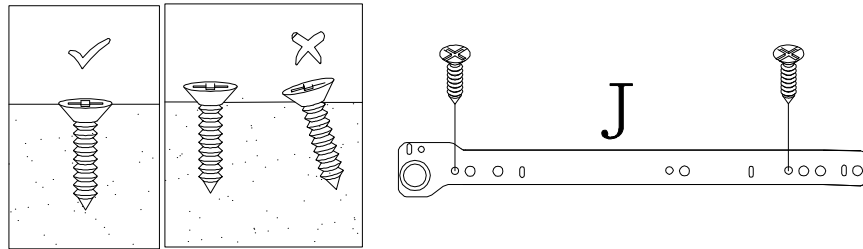
ES_Nota: No apriete los tornillos completamente hasta que todas las partes están conectadas!





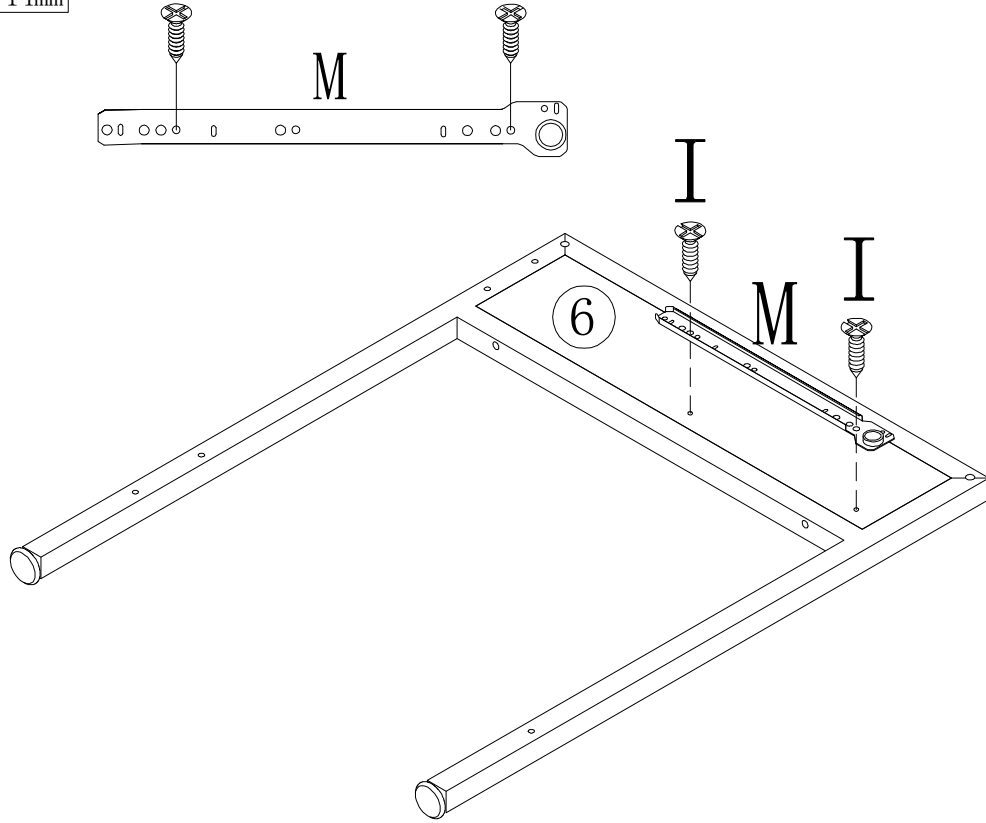
H

6PCS

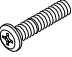
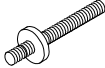


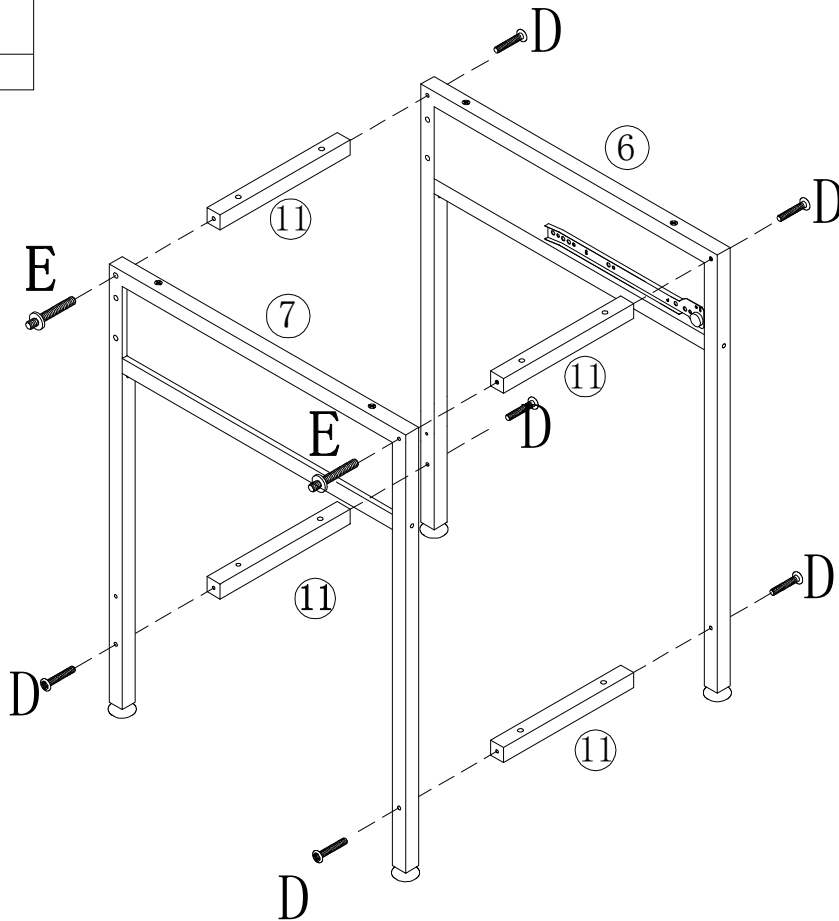
J	1PC	I	2PCS
			
12"		ø3.5*14mm	

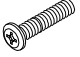


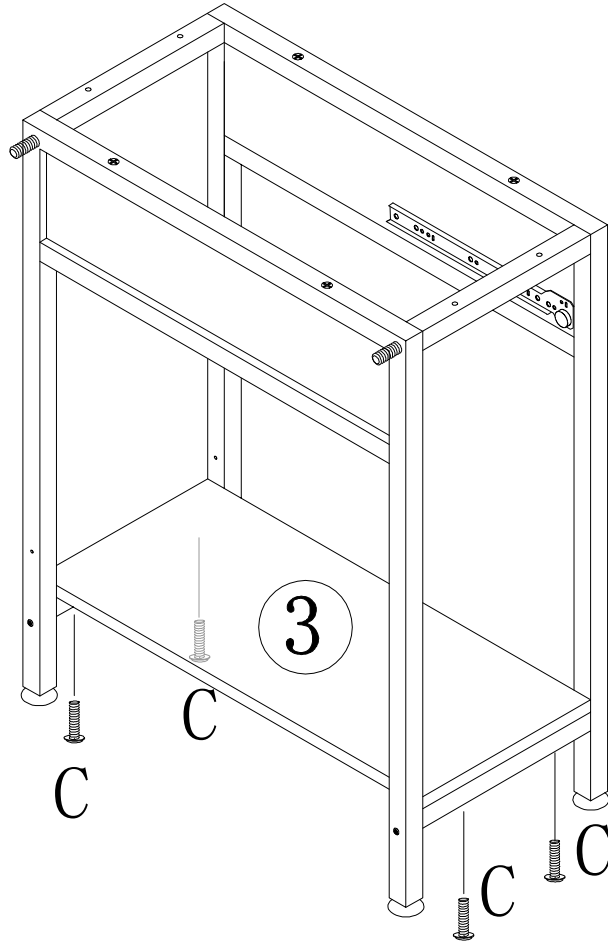
M	1PC	I	2PCS
			
12"		3.5*14mm	

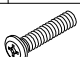


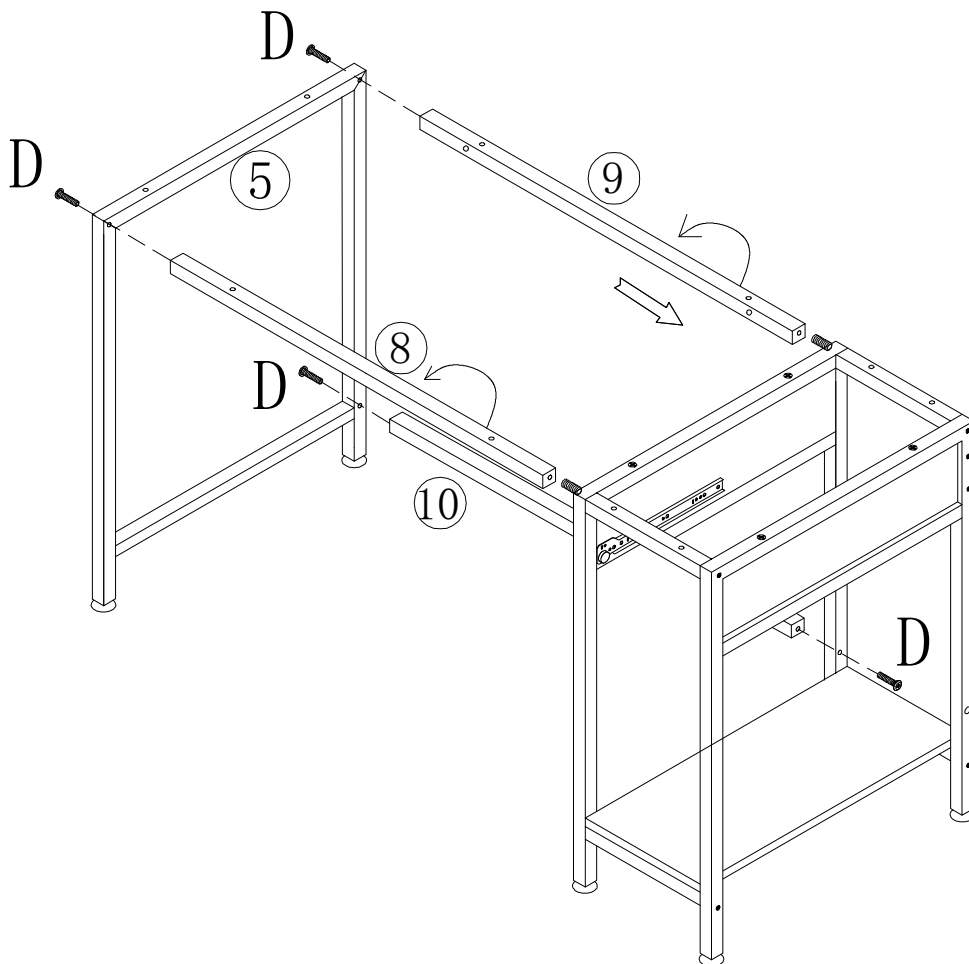
D	6PCS	E	2PCS
			
M6*40		M6*50	

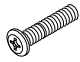



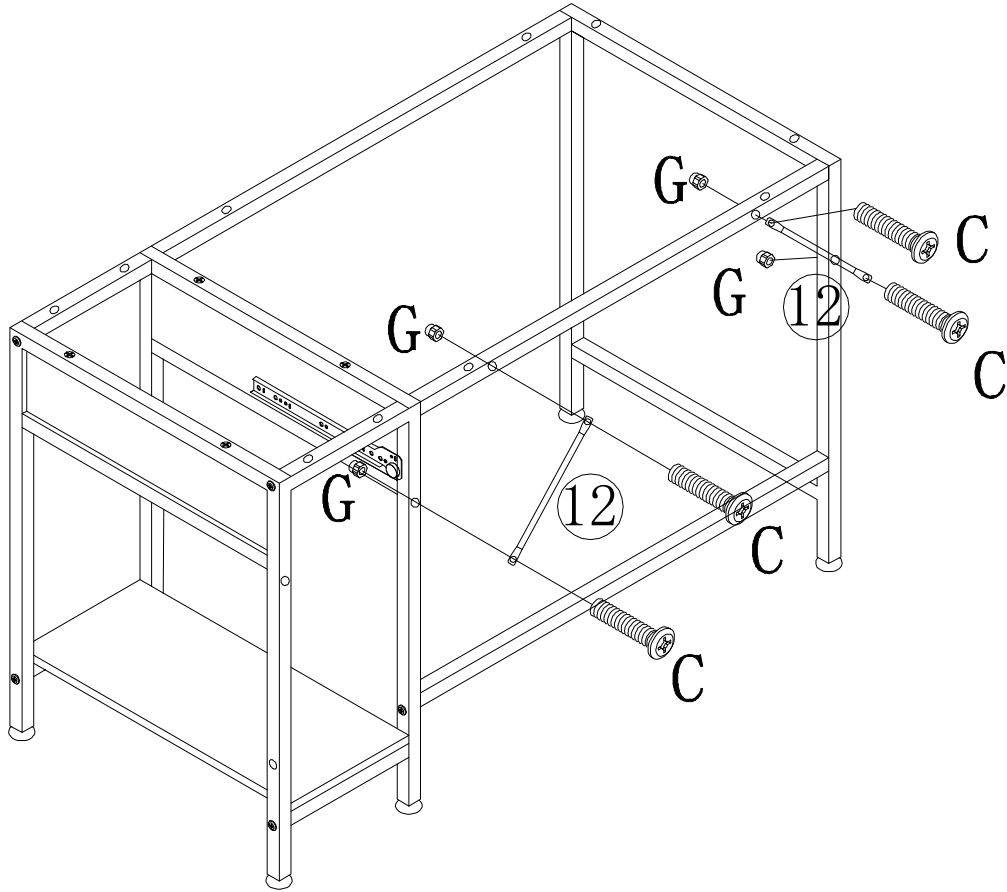
C	4PCS
	
M6*35	




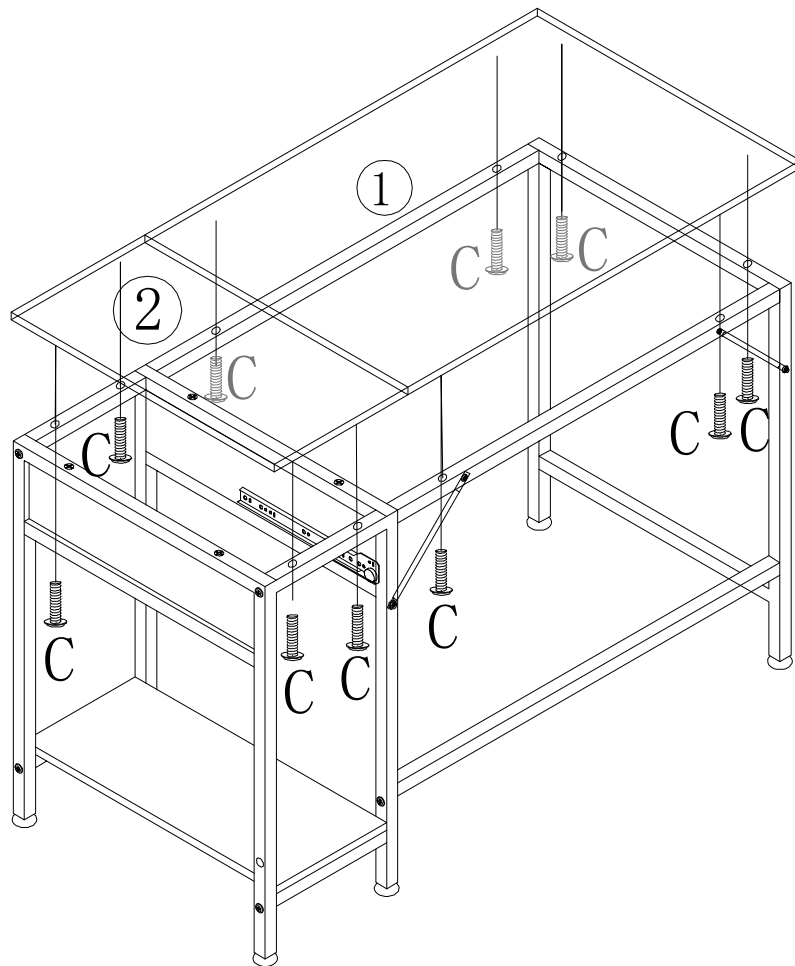
D	4PCS
	
M6*40	



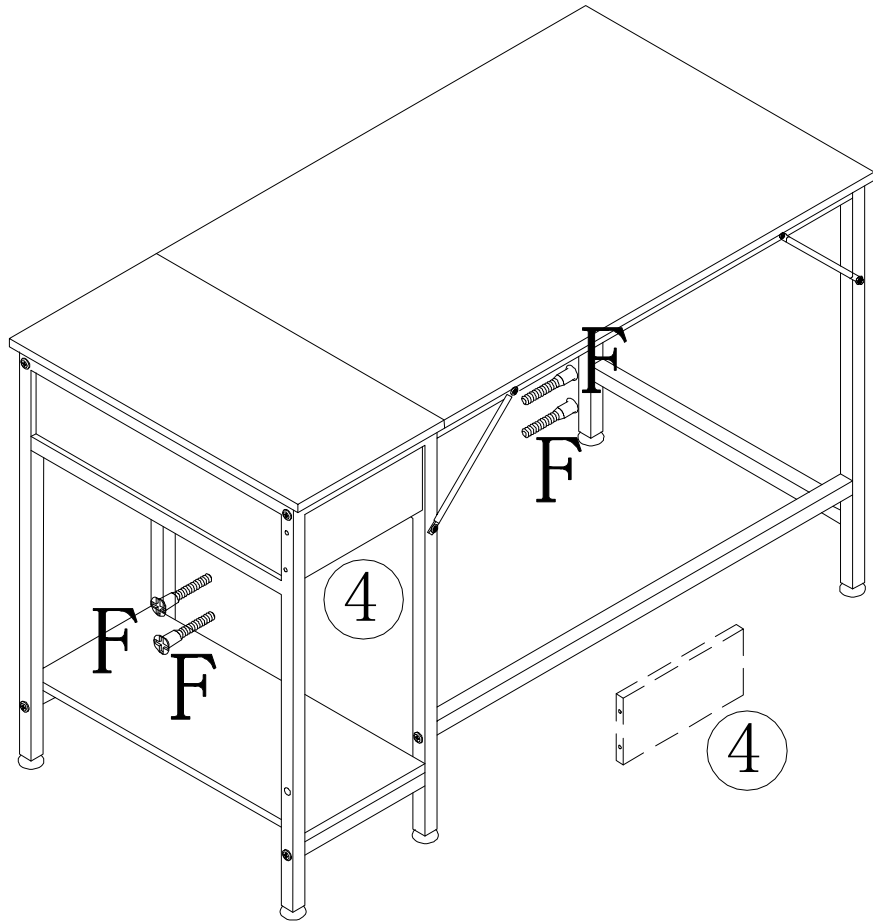
C	4PCS
	
M6*35	
G	4PCS
	
M6	



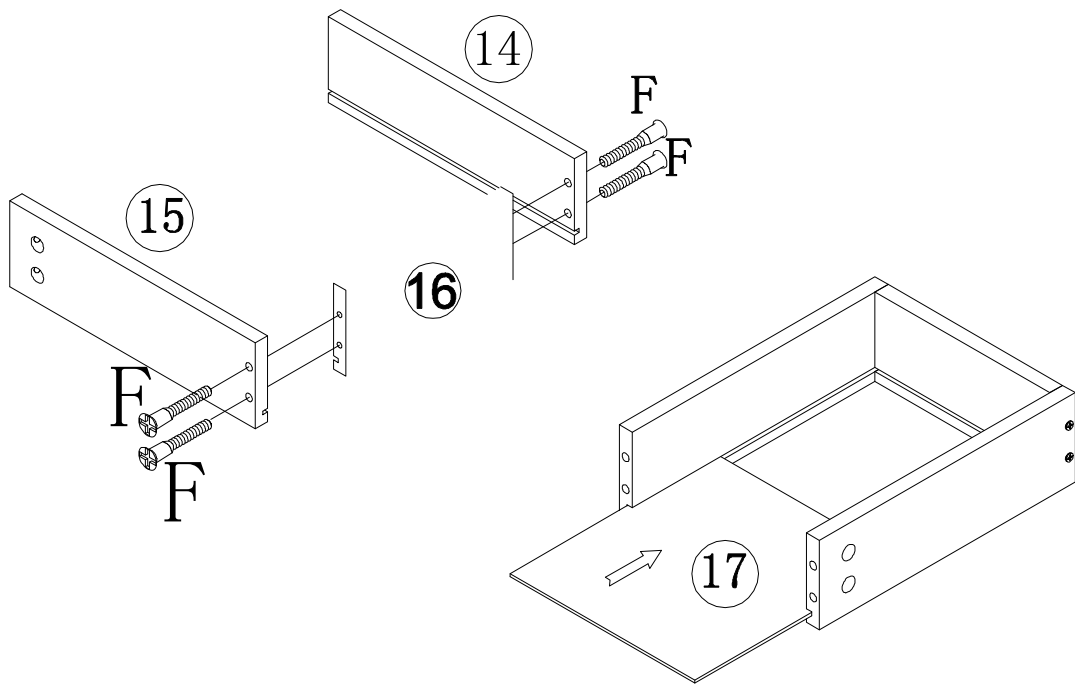
C	10PCS
	
M6*35	





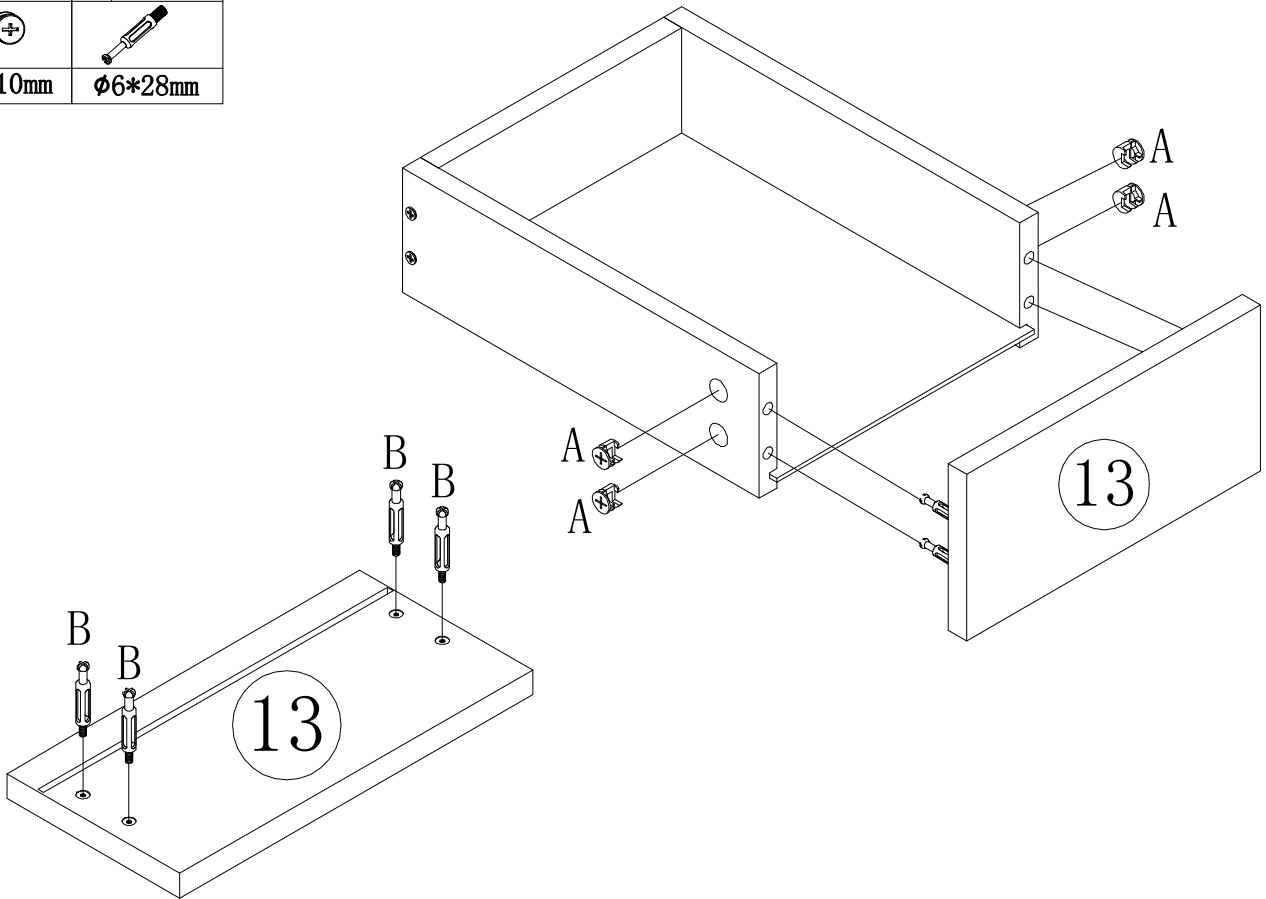
F 4PCS
7*40mm

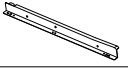




F 4PCS
7*40mm



A	4PCS	B	4PCS
			
$\phi 15*10\text{mm}$		$\phi 6*28\text{mm}$	



L	1PC
	
12"	
K	1PC
	
12"	
I	4PCS
	
3.5*14mm	

