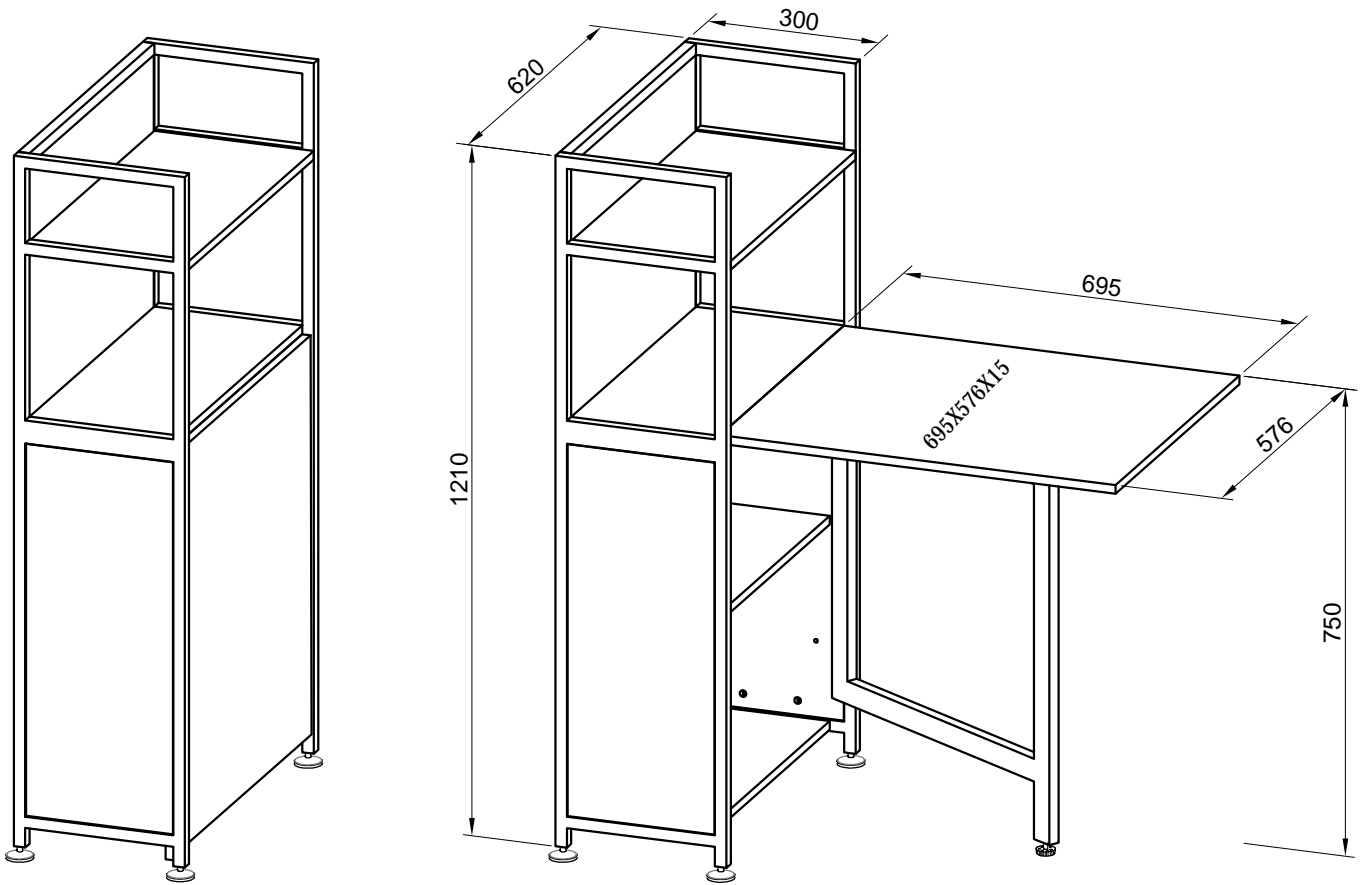
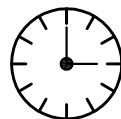
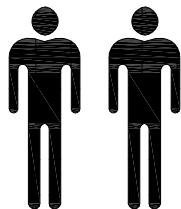




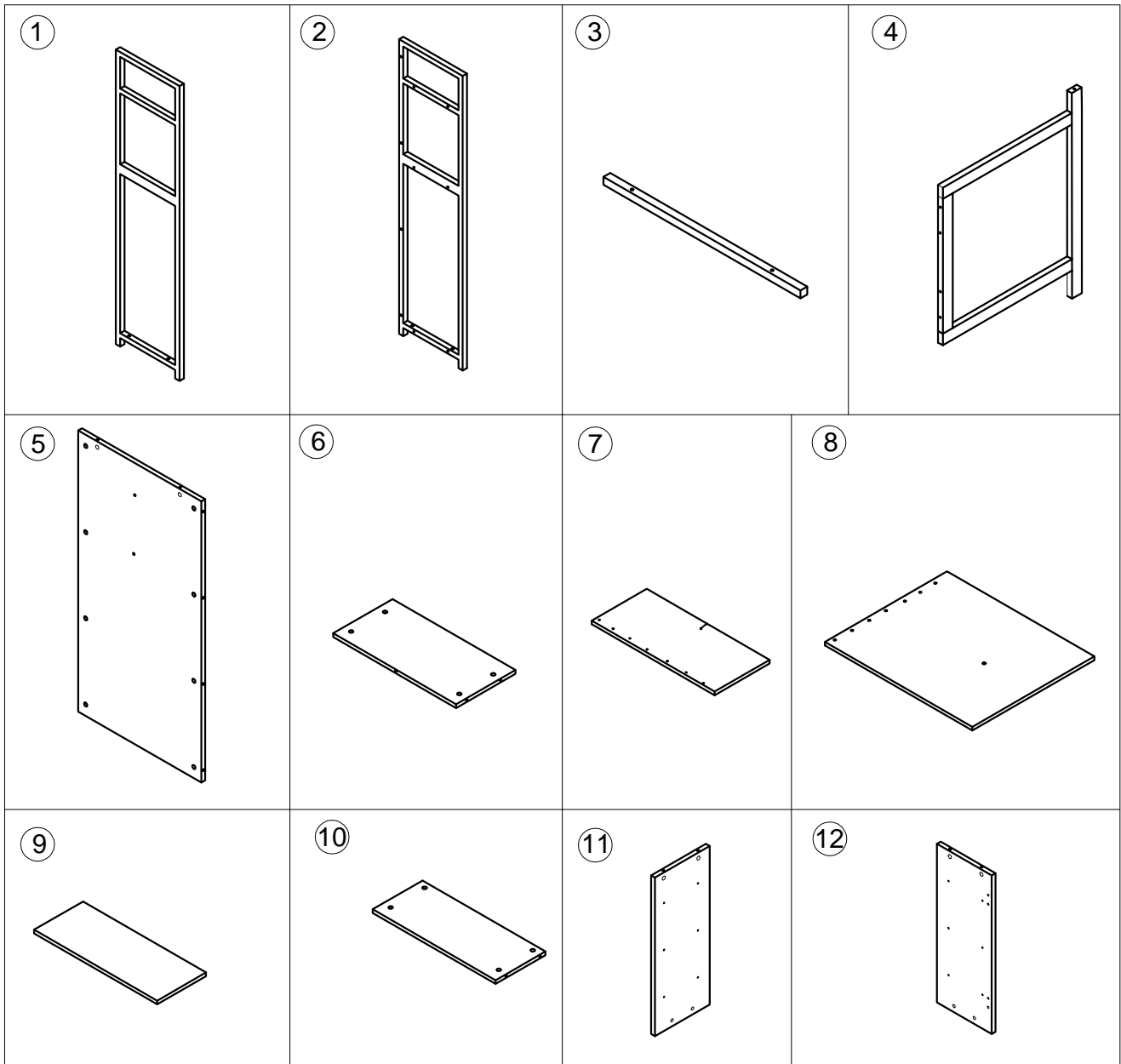
Assembly Instructions

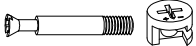















836-020

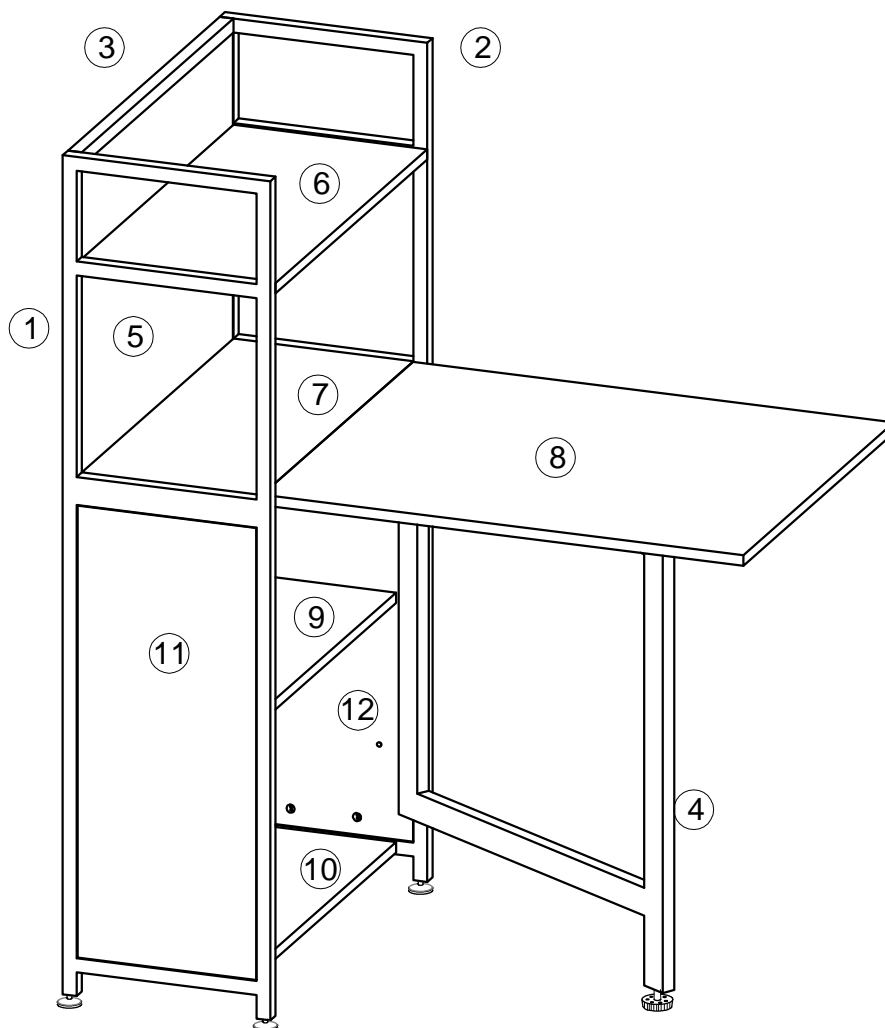


3 Hours

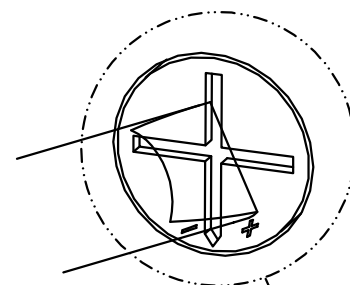
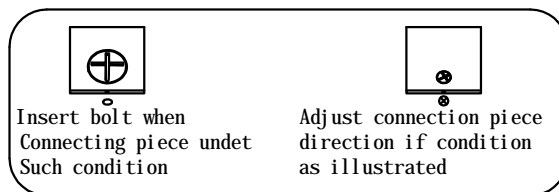
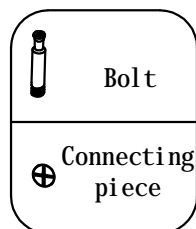


PART	QTY	ITEM	
A	22	M6X45	
B	2		
C	4	M5X55	
D	4	M4X8	
E	1	M5X18	
F	1	M6Xφ28	
G	4	M6X12	

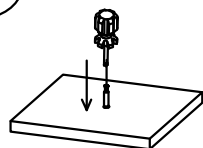
PART	QTY	ITEM	
H	32	M3.5X14	
I	4	φ6X15	
J	1		
K	4		
L	4	M8Xφ50	
M	2	M5X45	
N	1		



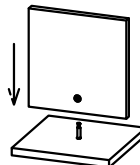
6X45mm bolt installation as below



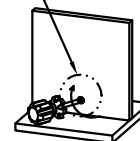
STAPA. 1



STAPA. 2

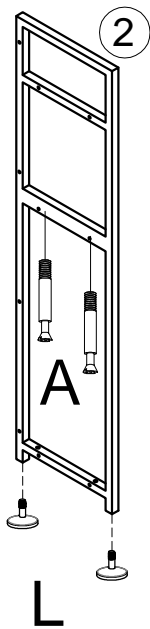
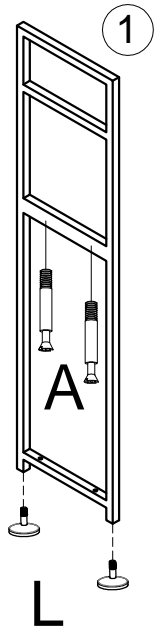


STAPA. 3

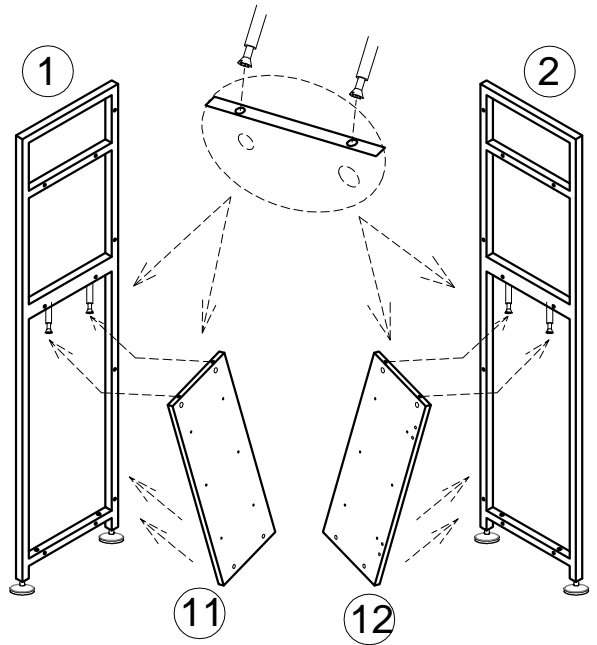


1

.SCREWS	
A	M6X45 4 PCS
.SCREWS	
L	M8Xφ50 4 PCS

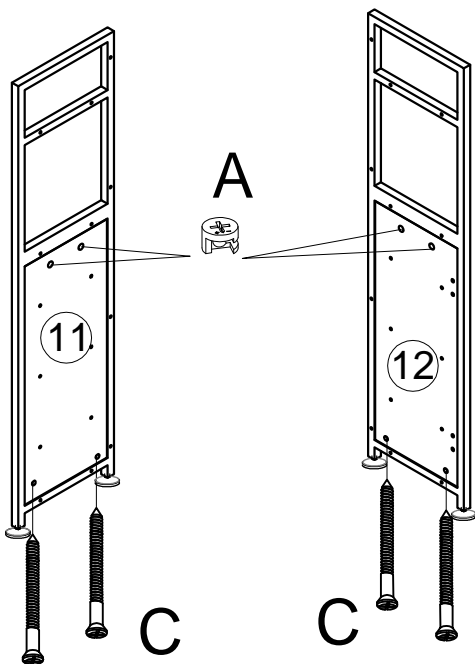


2



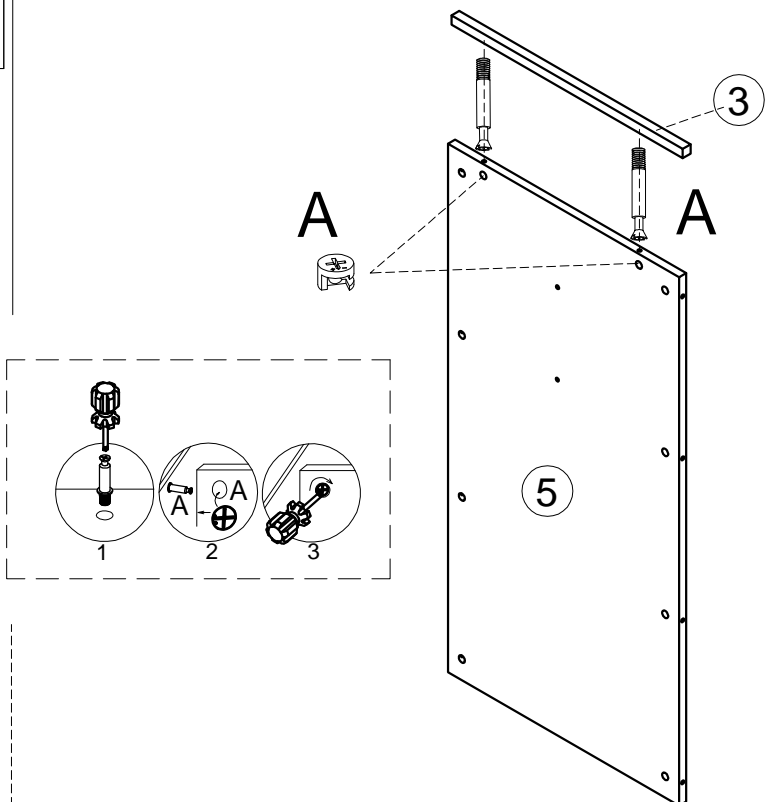
3

.SCREWS	
A	4 PCS
.SCREWS	
C	M5X55 4 PCS

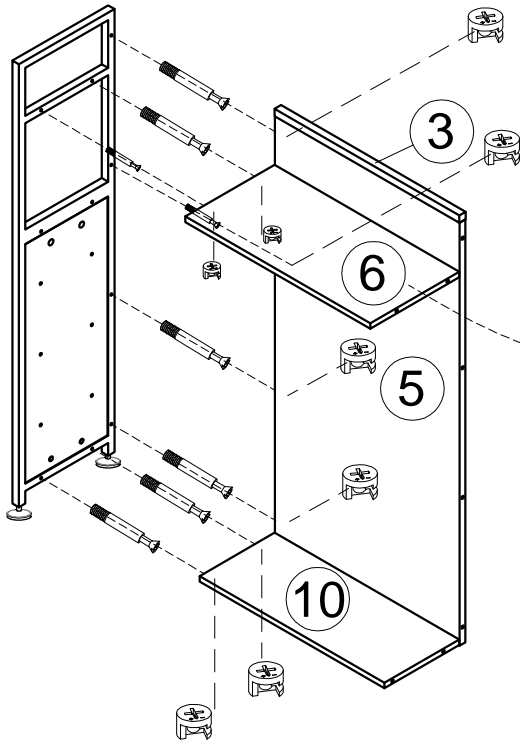


4

.SCREWS	
A	M6X45 2 PCS

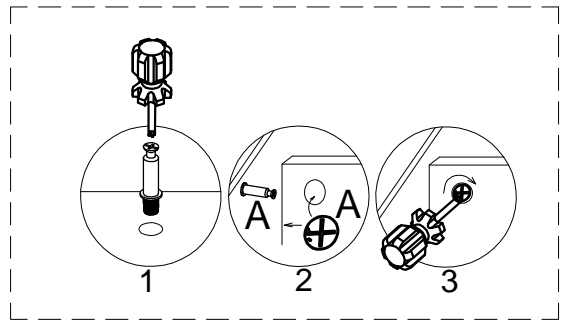
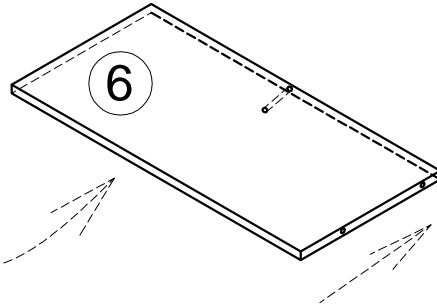


5

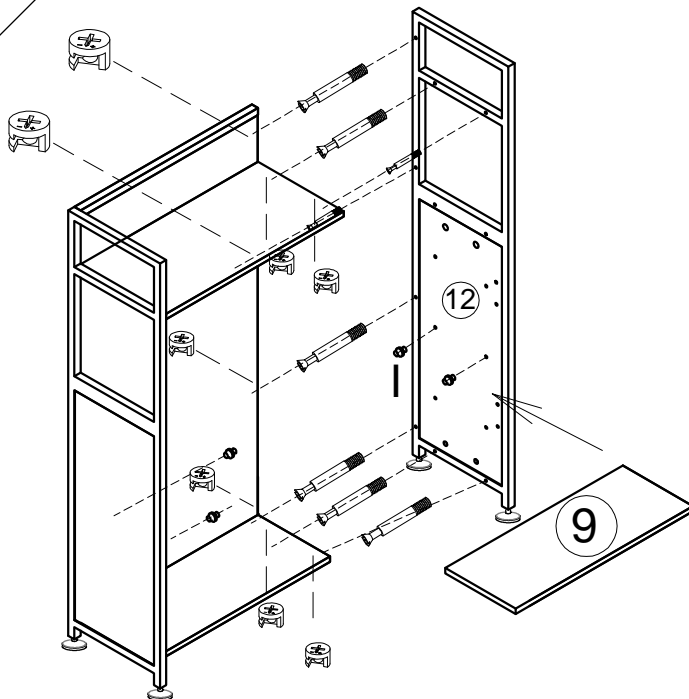


.SCREWS

A M6X45
8 PCS

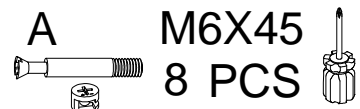


6



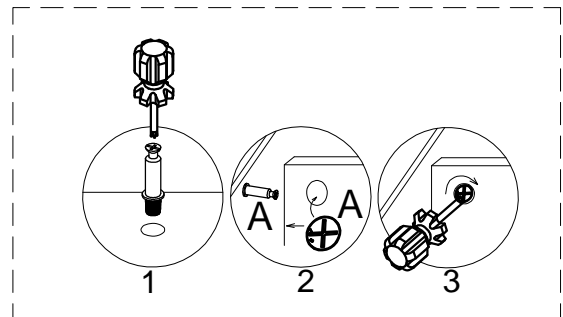
.SCREWS

A M6X45
8 PCS



.SCREWS

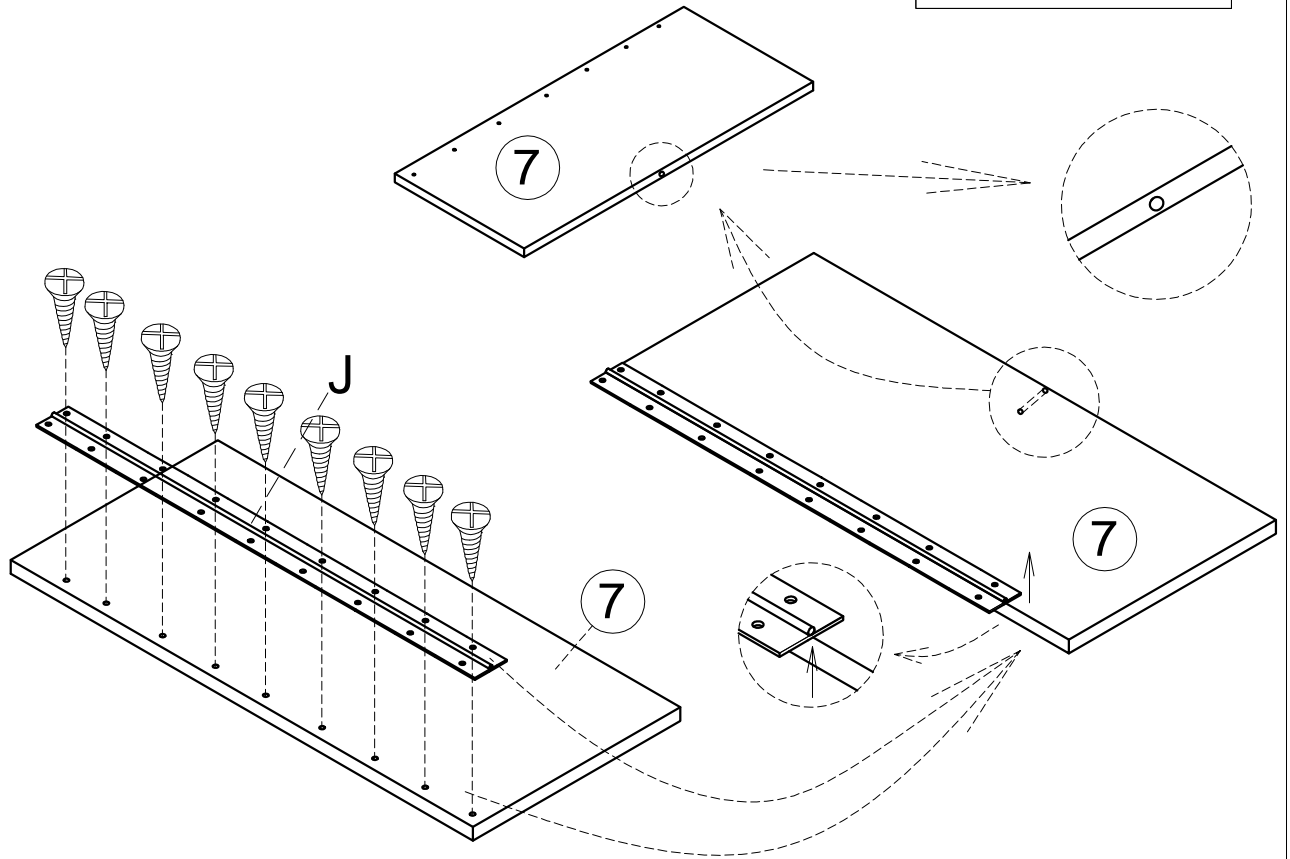
I ϕ 6x15
4 PCS



7

.SCREWS

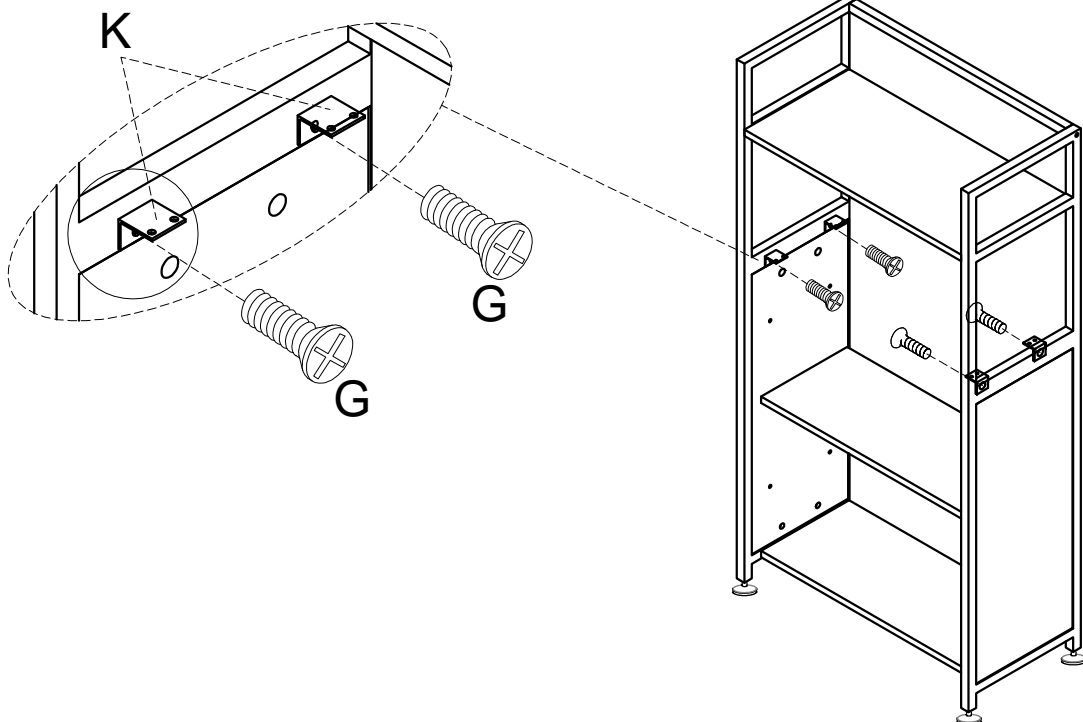
H M3.5X14
9 PCS



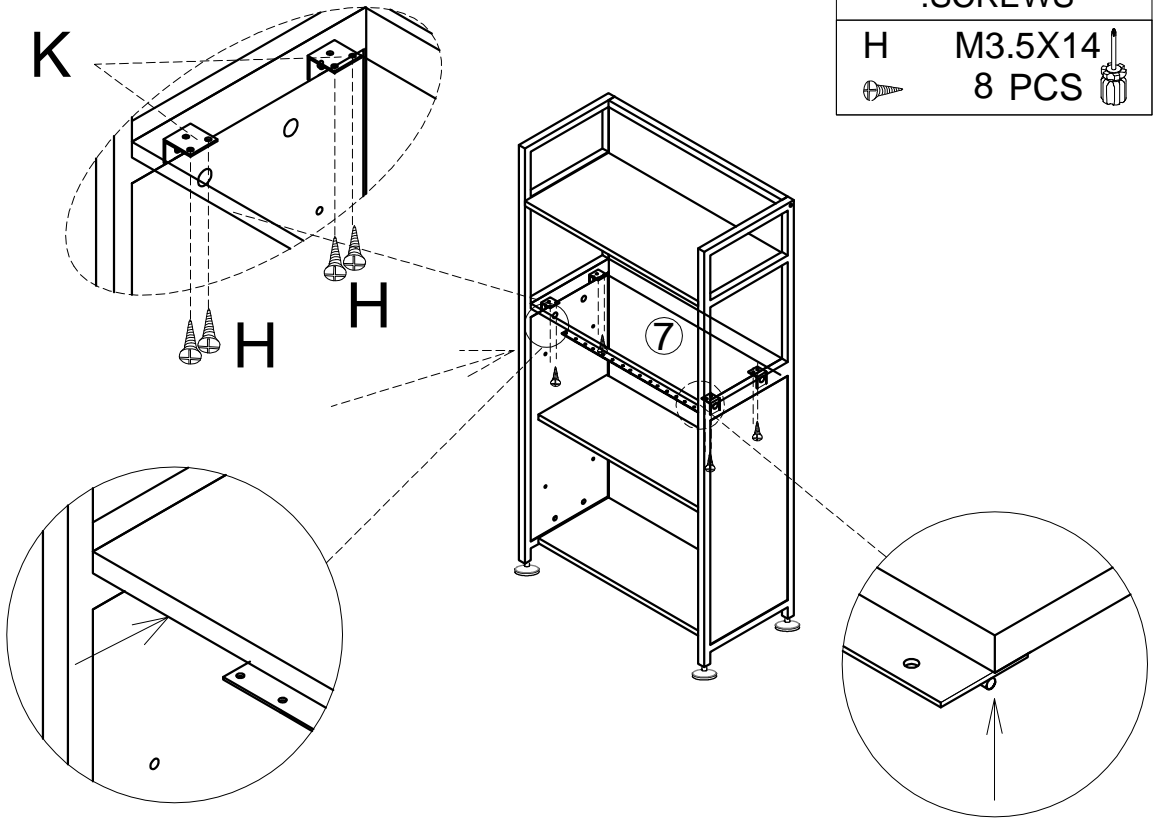
8

.SCREWS

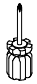

G M6X12
4 PCS

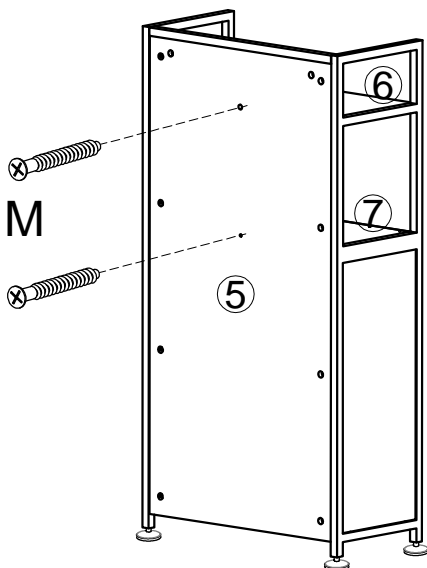


9

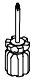





10

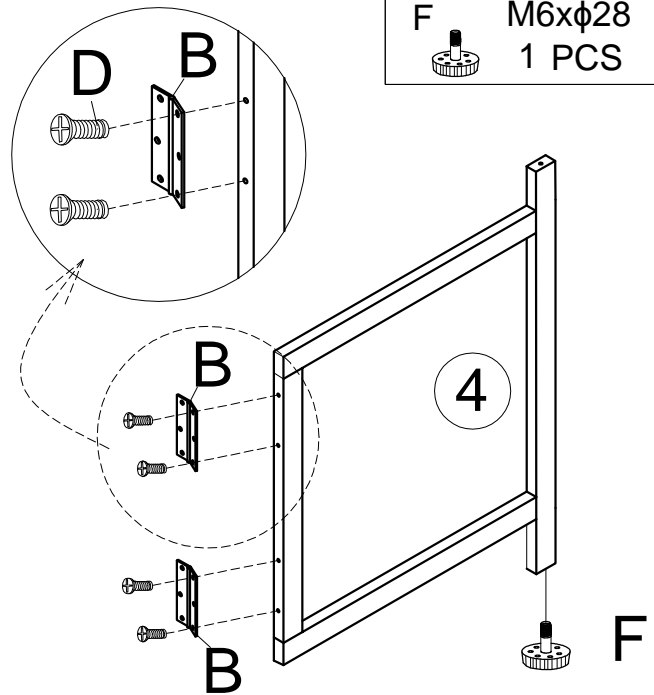
.SCREWS	
M	M5X45 
	2 PCS



11

.SCREWS	
D	M4X8 
	4 PCS

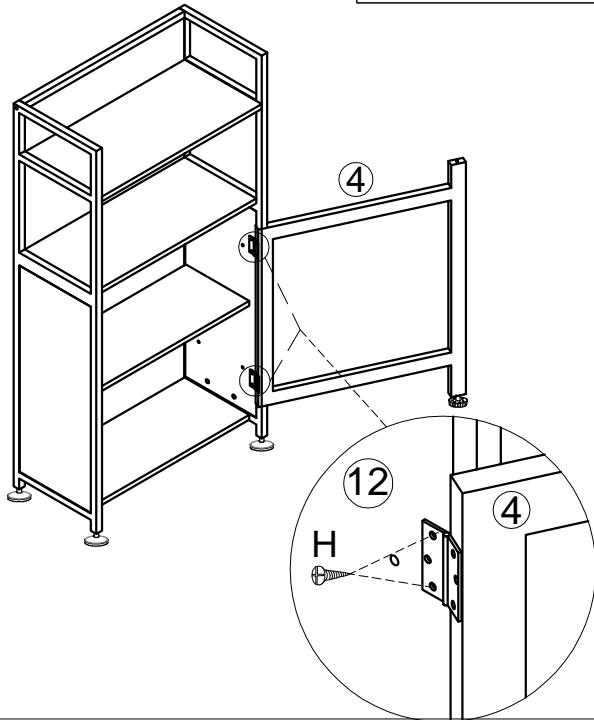
.SCREWS	
F	M6xφ28 
	1 PCS



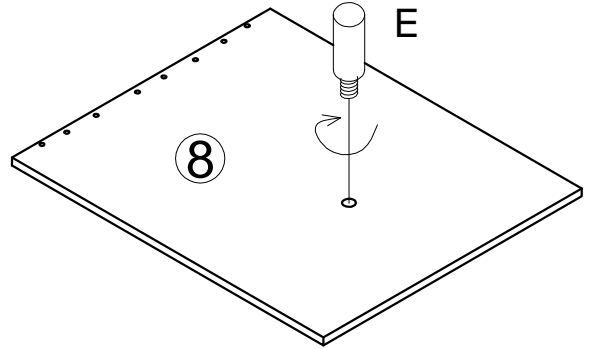
12

.SCREWS

H M3.5X14
4 PCS



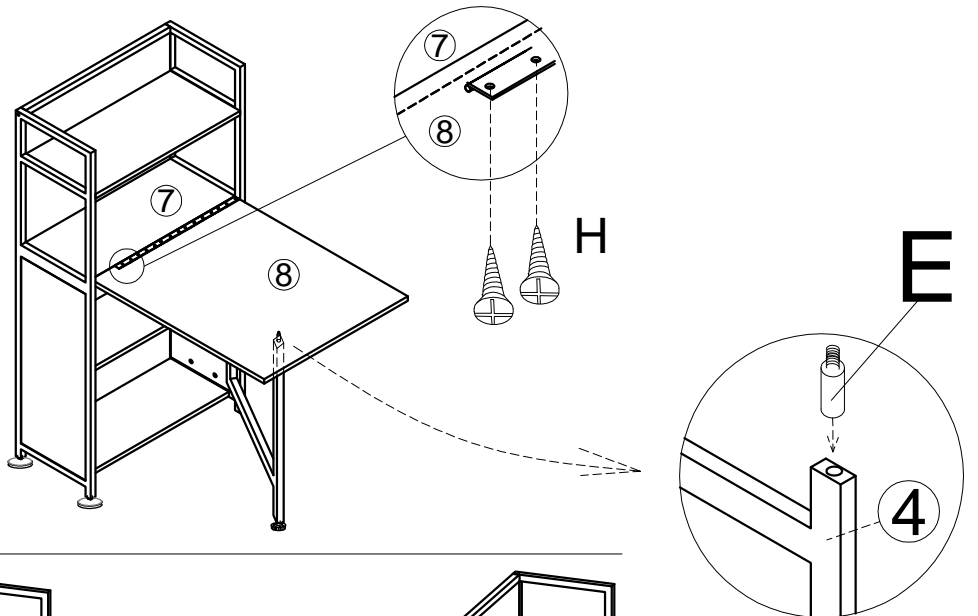
13



14

.SCREWS

H M3.5X14
9 PCS



15

