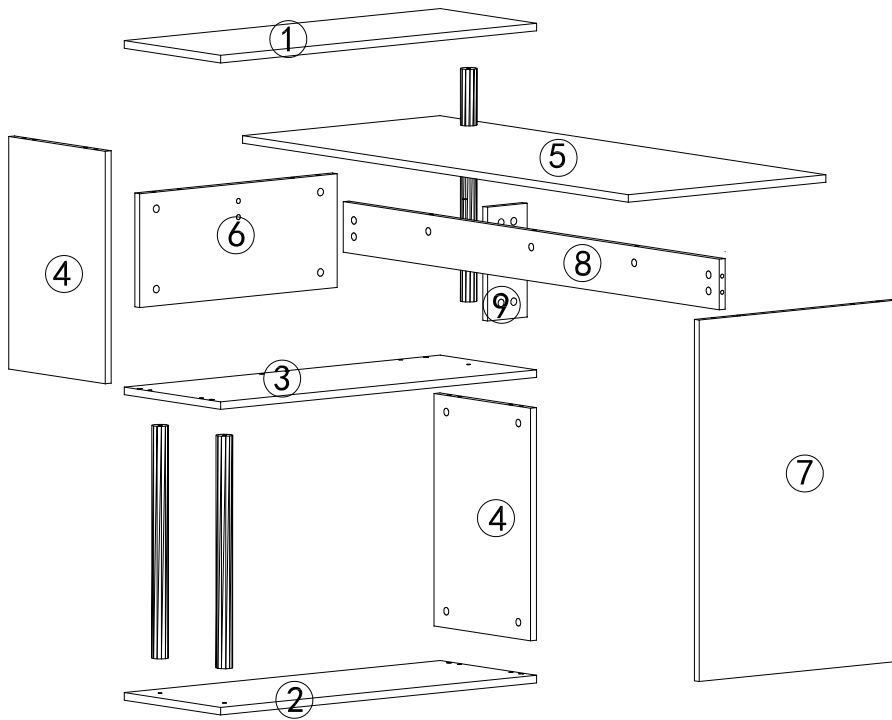

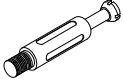



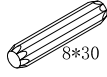
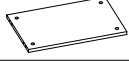

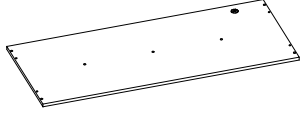

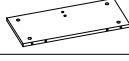
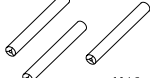

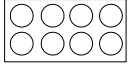
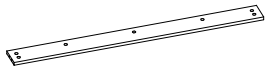



READ AND SAVE THIS INSTRUCTION FOR FUTURE USE

ASSEMBLY INSTRUCTION



PACKING DEAILS:TOTAL 1 BOXES

PARTNO.	PARTS	QTY	PARTNO.	PARTS	QTY
①		X1	A		X25
②		X1	B		X25
③		X1	C	 8*30	X14
④		X2	E	 M8*25	X3
⑤		X1	F	 M8*25	X3
⑥		X1	G	 M40*460	X3
⑦		X1	K		X20
⑧		X1			
⑨		X1			

Assembly Instructions

01

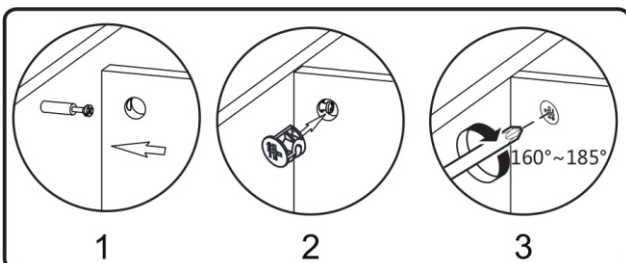
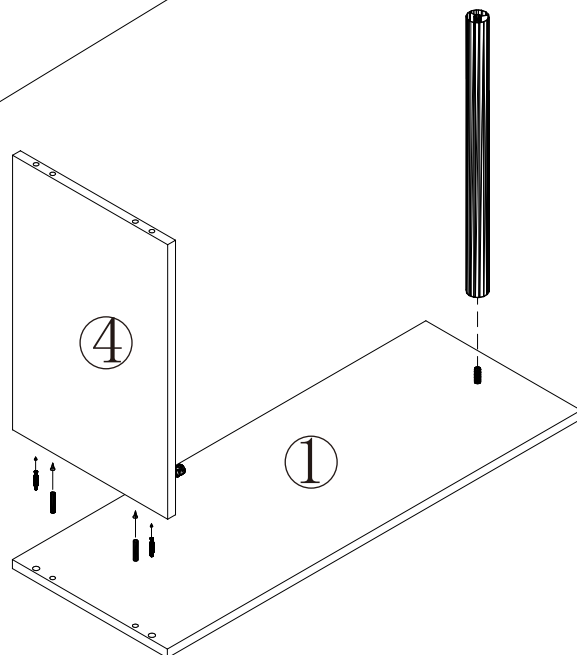
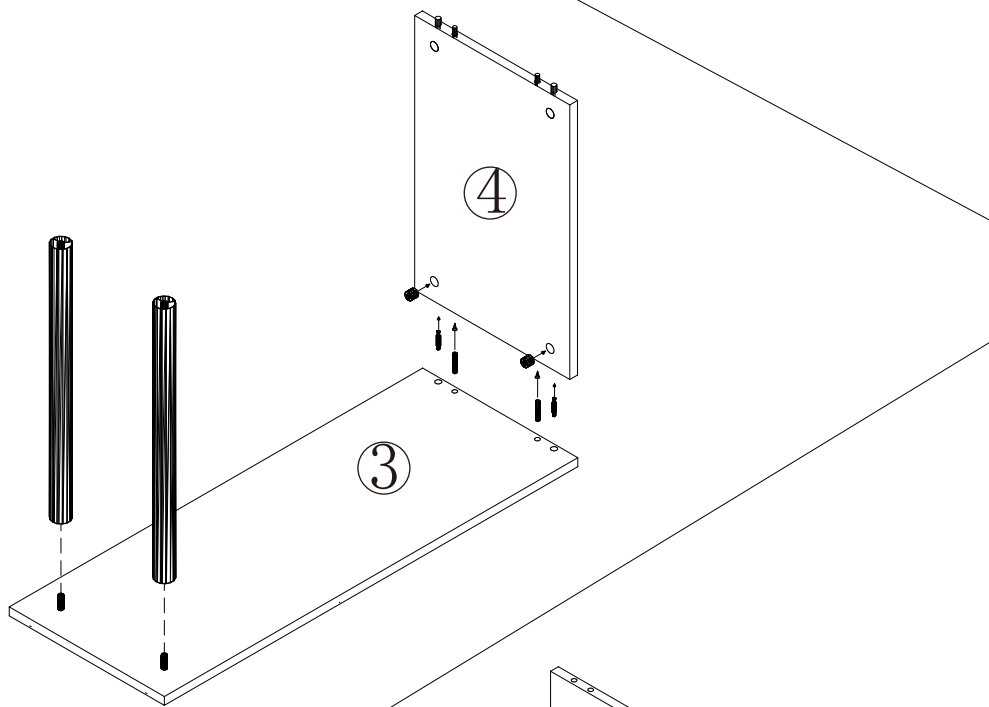
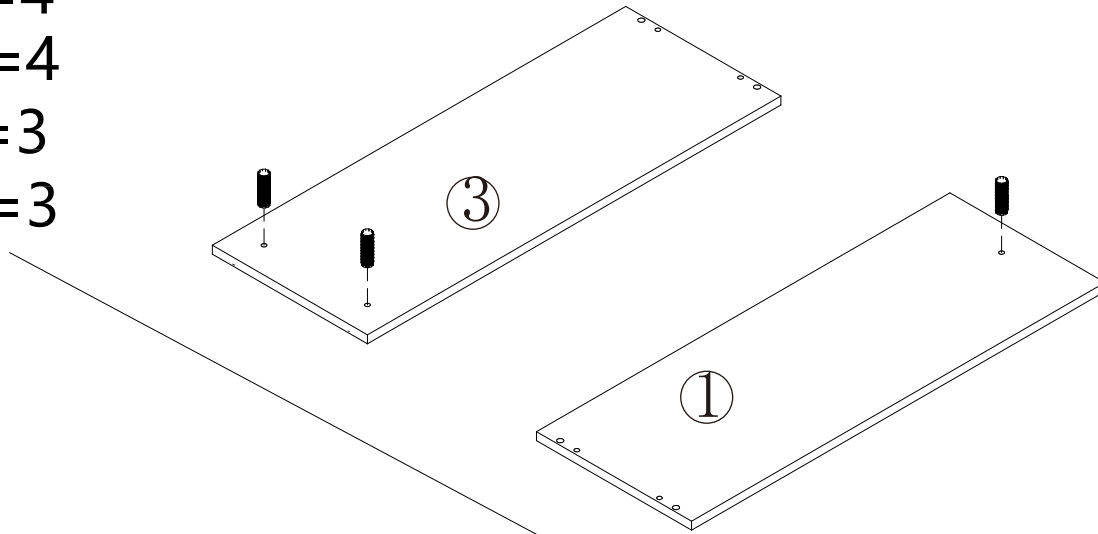
A=4

B=4

C=4

F=3

G=3



Assembly Instructions

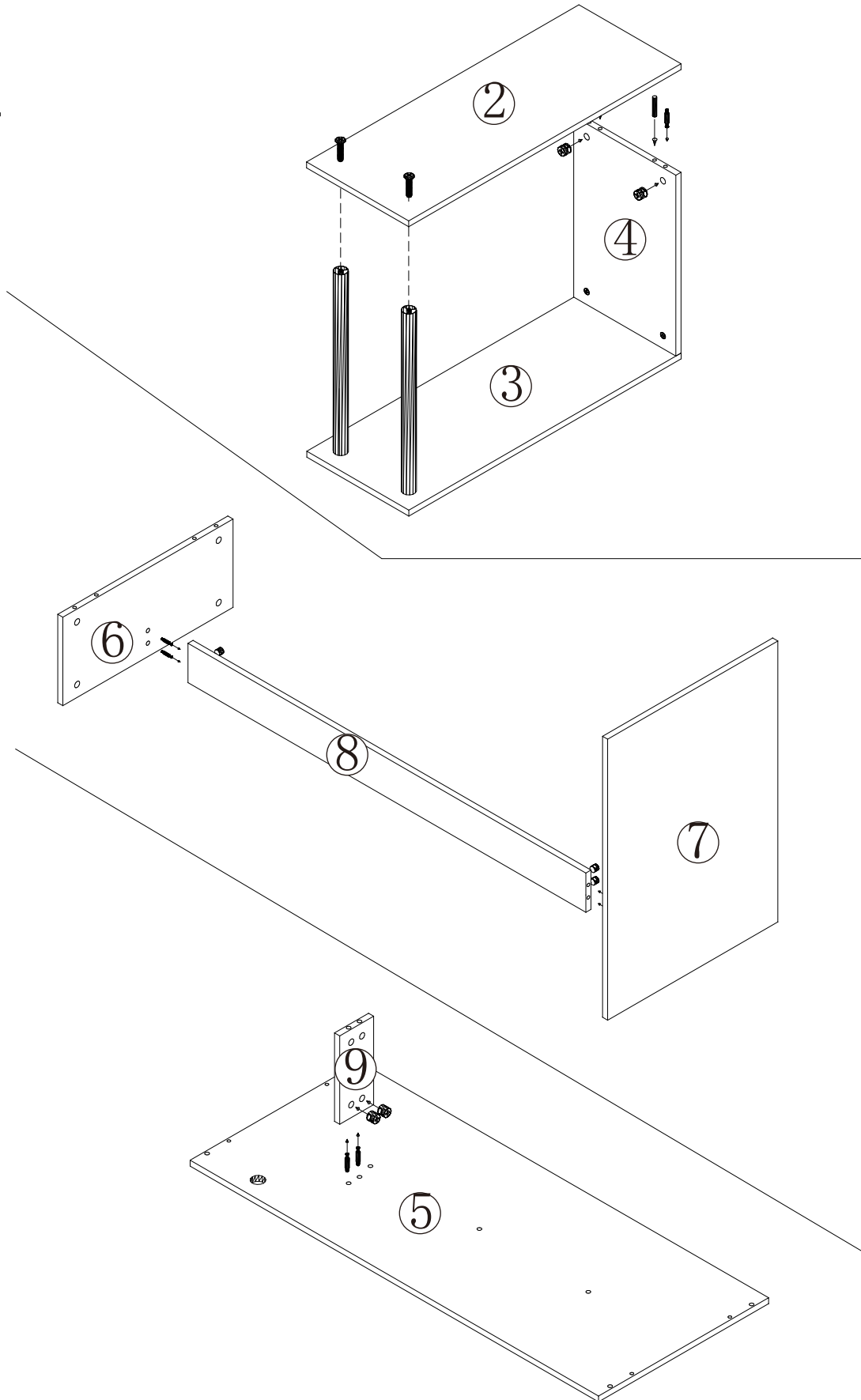
02

A=8

B=8

C=2

E=2



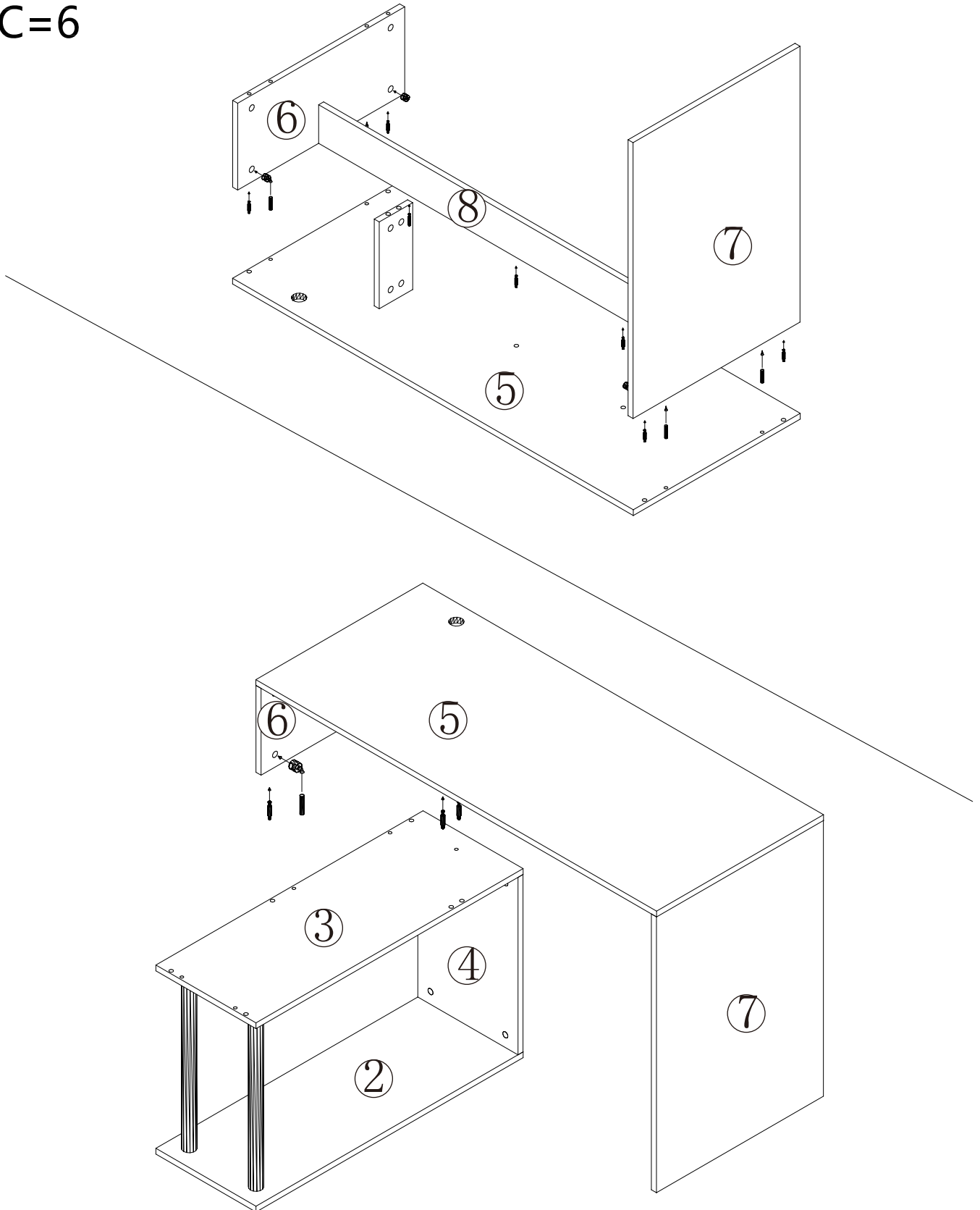
Assembly Instructions

03

A=11

B=11

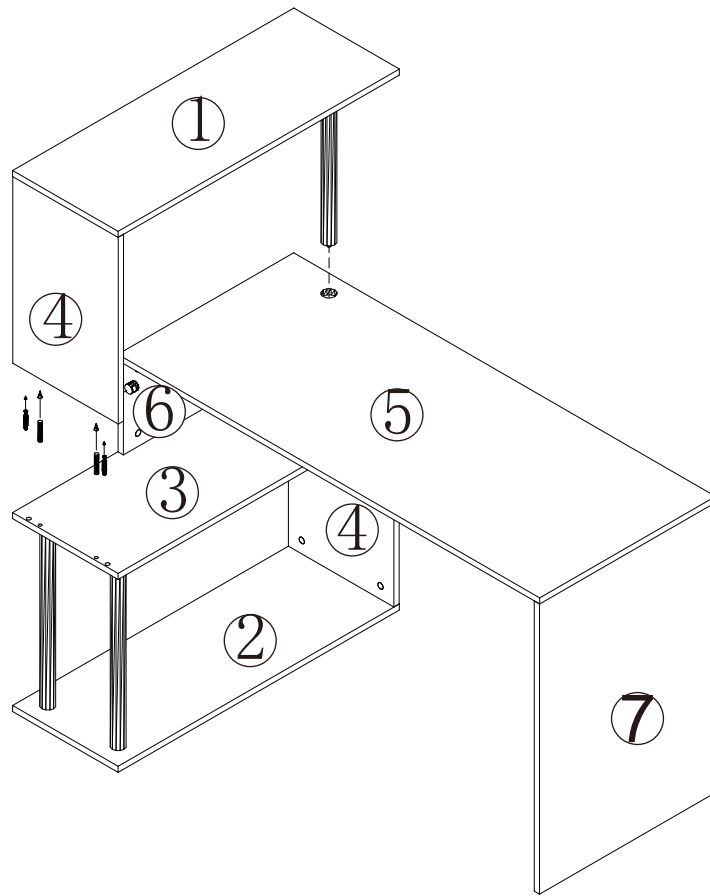
C=6



Assembly Instructions

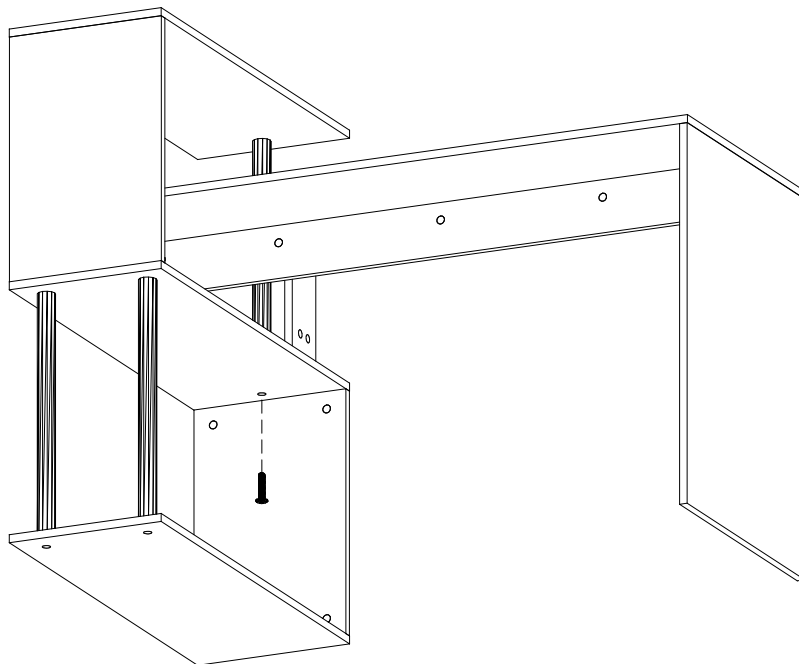
04

A=2
B=2
C=2



05

E=1
K=20



US



001-877-644-9366
customerservice@aosom.com

CA



001-855-537-6088
customerservice@aosom.ca

UK



0044-800-240-4004
enquiries@mhstar.co.uk

DE



0049-(0)40-88307530
service@aosom.de

FR



0033-1-84166106
contact@aosom.fr

ES



0034-931294512
atencioncliente@aosom.es

IT



0039-0249471447
clienti@aosom.it