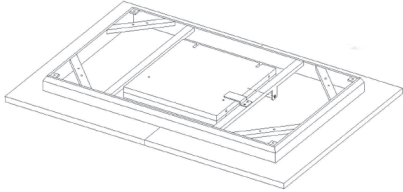


READ AND SAVE THIS INSTRUCTION FOR FUTURE USE

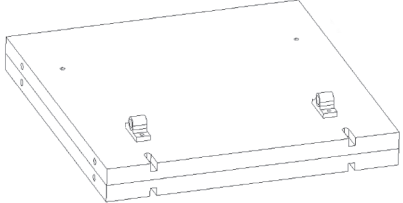



ASSEMBLY & INSTRUCTION MANUAL

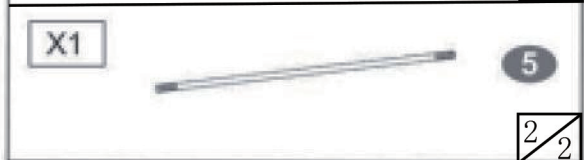
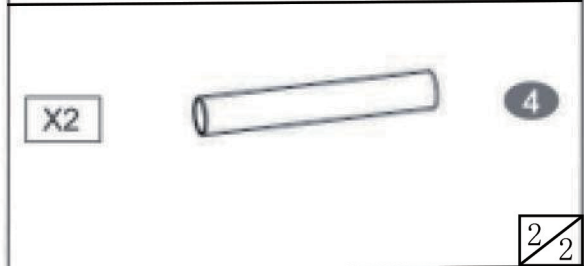
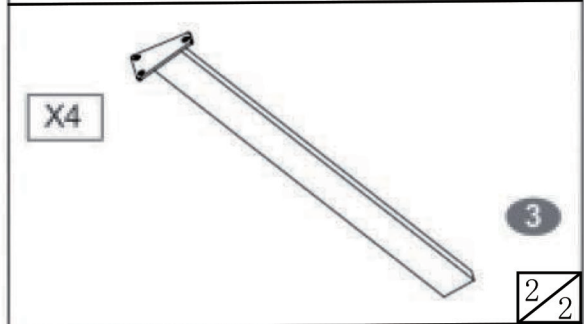
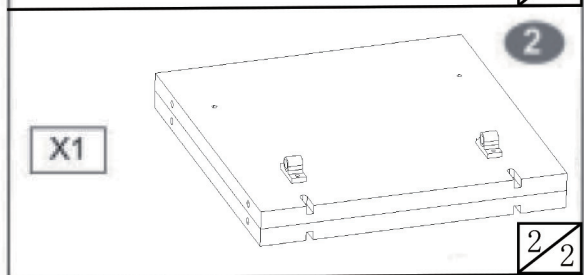
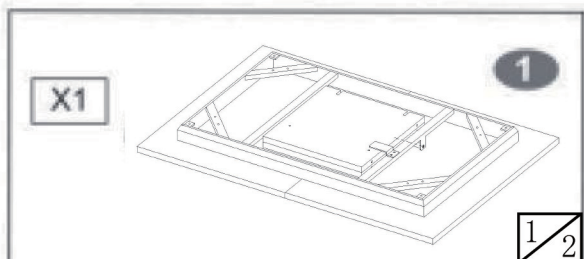
PACKING DETALS:TOTAL 2 BOXES





BOX-1/2

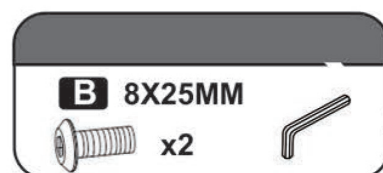
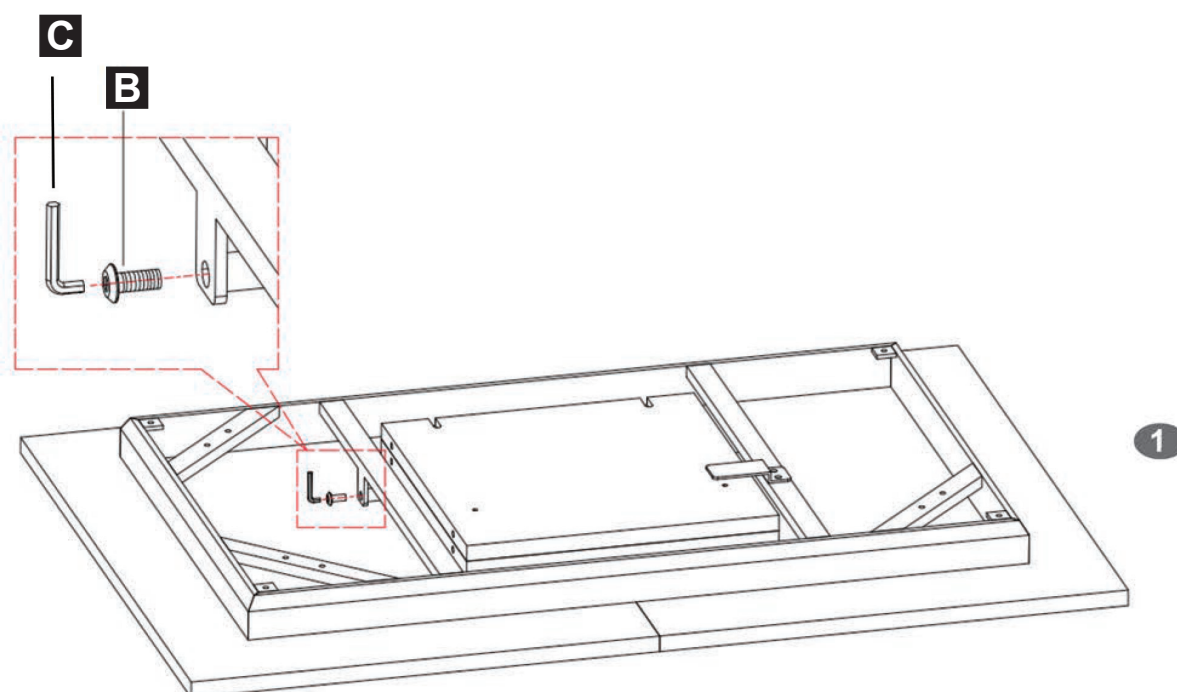
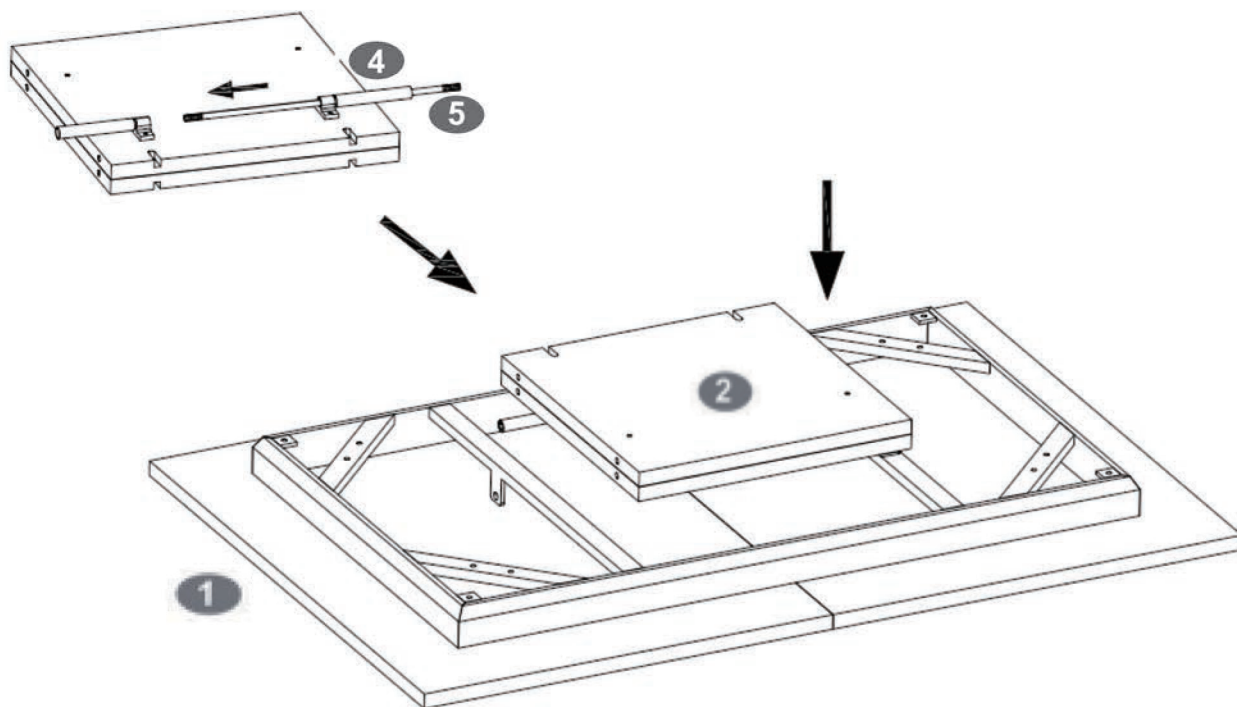
NO.	PARTS	QTY
①		1

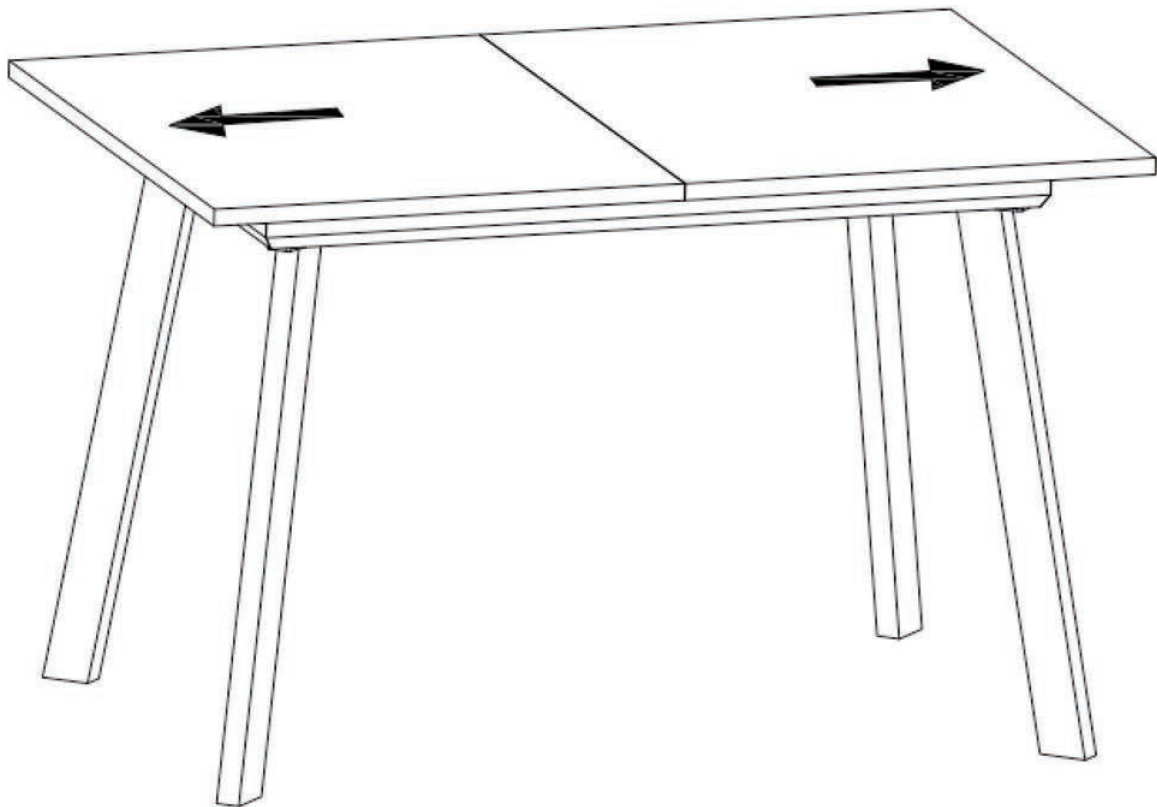
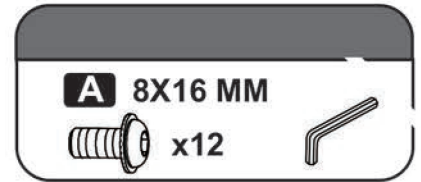
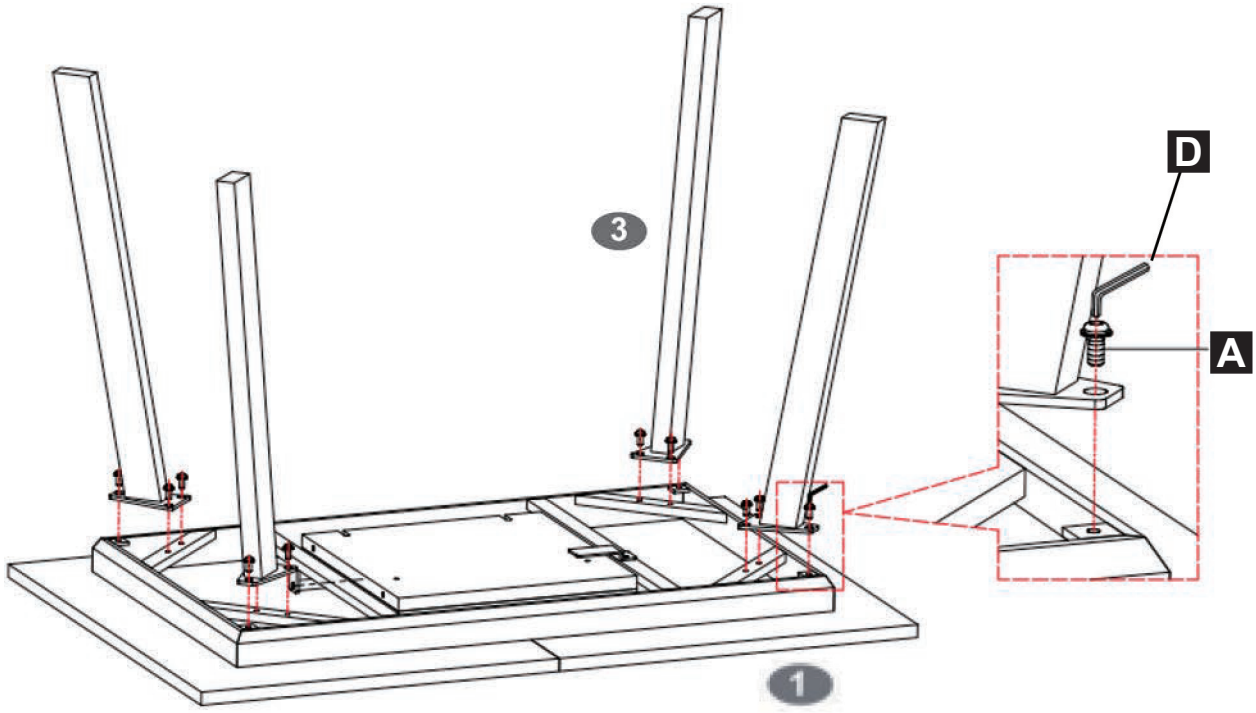
BOX-2/2

NO.	PARTS	QTY
②		1
③		4
④		2
⑤		1
	HARDWARE	1

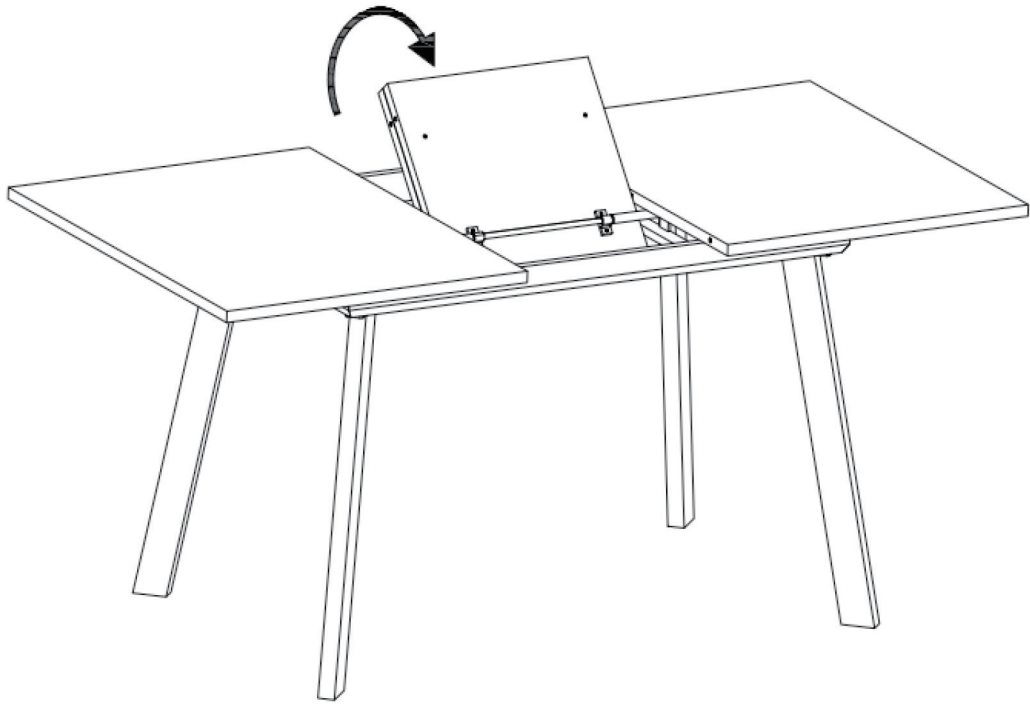


PART	QTY.	ITEM	
A	12	8X16 MM	
B	2	8X25 MM	
C	1	5#	
D	1	6#	

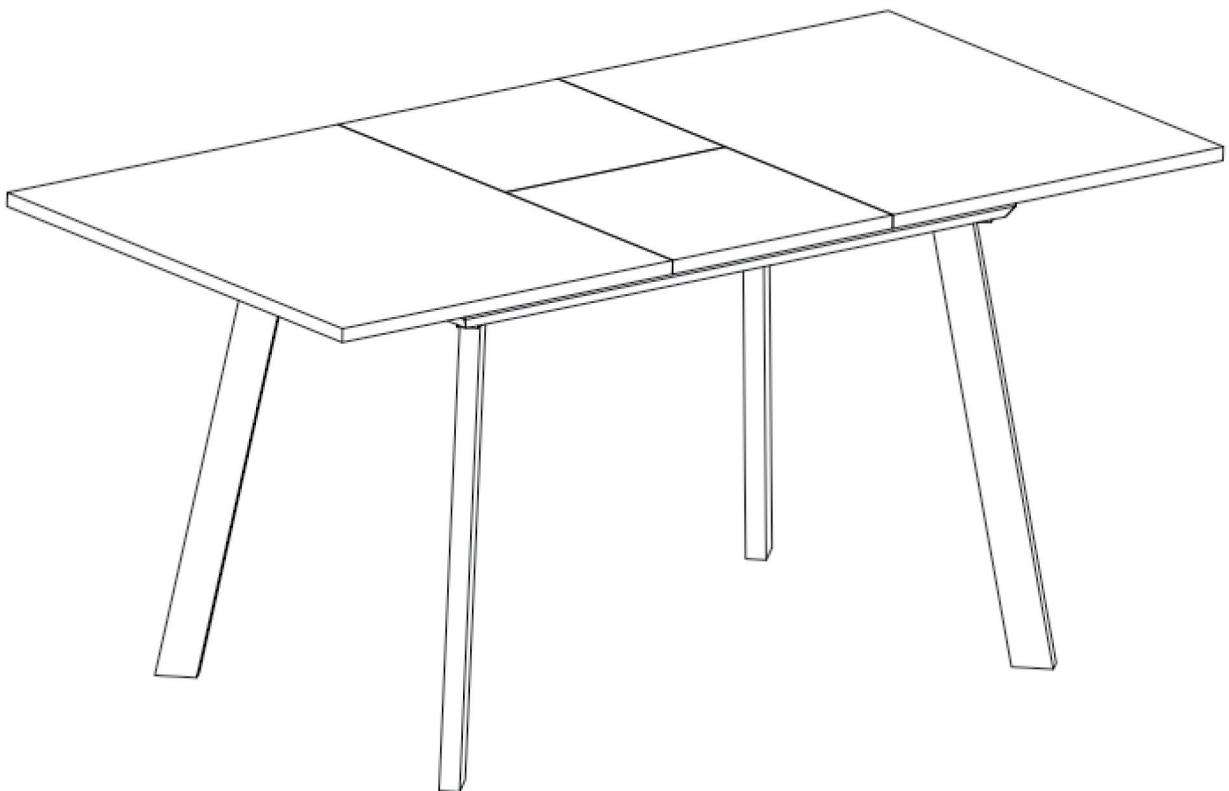




05



06



US



001-877-644-9366
customerservice@aosom.com

CA



001-855-537-6088
customerservice@aosom.ca

UK



0044-800-240-4004
enquiries@mhstar.co.uk

DE



0049-(0)40-88307530
service@aosom.de

FR



0033-1-84166106
contact@aosom.fr

ES



0034-931294512
atencioncliente@aosom.es

IT



0039-0249471447
clienti@aosom.it