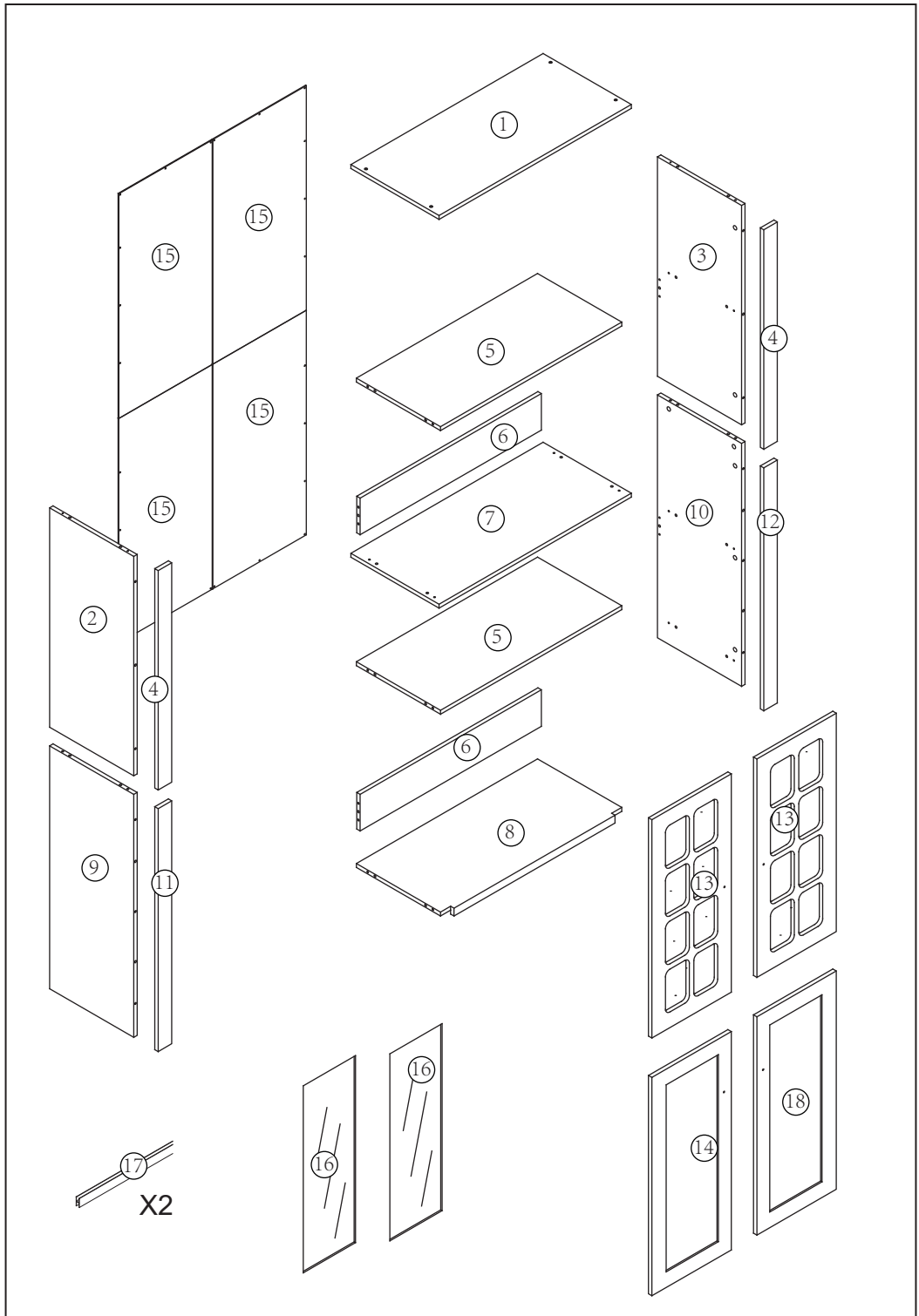



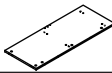
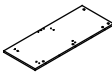


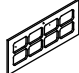




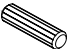














Please read these instructions and warranty information carefully before use and keep them properly for future reference.



PACKING DETAILS:TOTAL 2 BOXES

BOX 1/2:


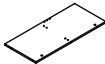
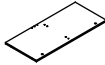


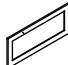
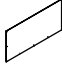
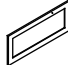
PART NO.	PART	QTY
4		x2
5		x2
6		x2
9		x1
10		x1
11		x1
12		x1
13		x2
16		x2
17		x2

PART NO.	PART	QTY
A		x34
B	 5X40mm	x8
C	 7X39mm	x34
D		x34
E		x4
F		x4
G		x8
H	 3.5X14mm	x34
I	 3X12mm	x26
J		x2
K	 3X16mm	x20
L		x8
M		x12
N		x34
O		x1

This product is packed in 2 outer boxes. Please install it after all. Thank you!

PACKING DETAILS:TOTAL 2 BOXES

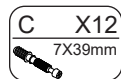
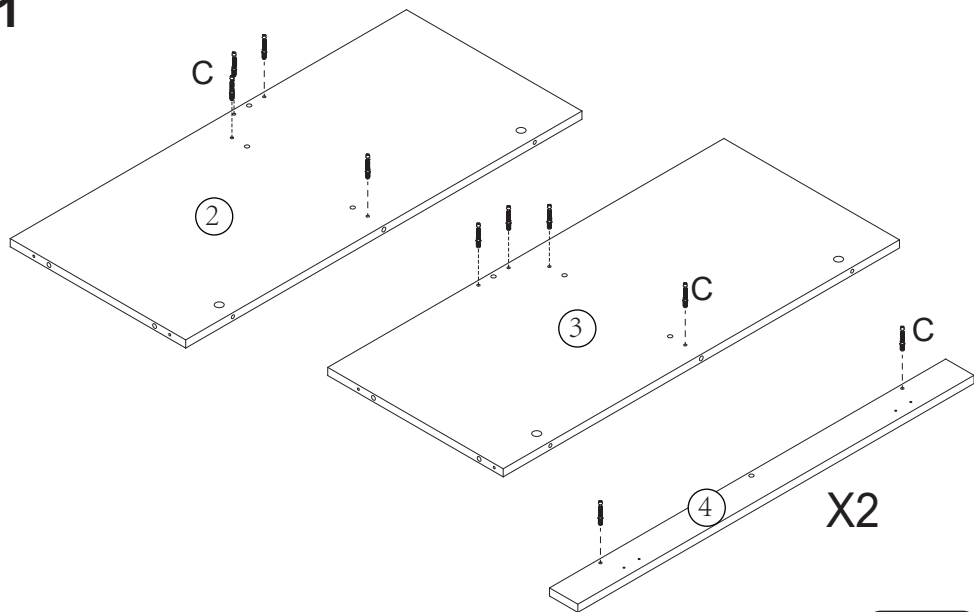
BOX 2/2:

PART NO.	PART	QTY
①		x1
②		x1
③		x1
⑦		x1
⑧		x1
⑭		x1
⑮		x4
⑱		x1

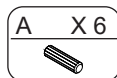
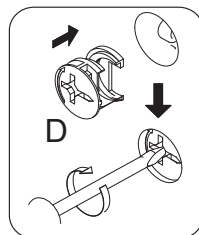
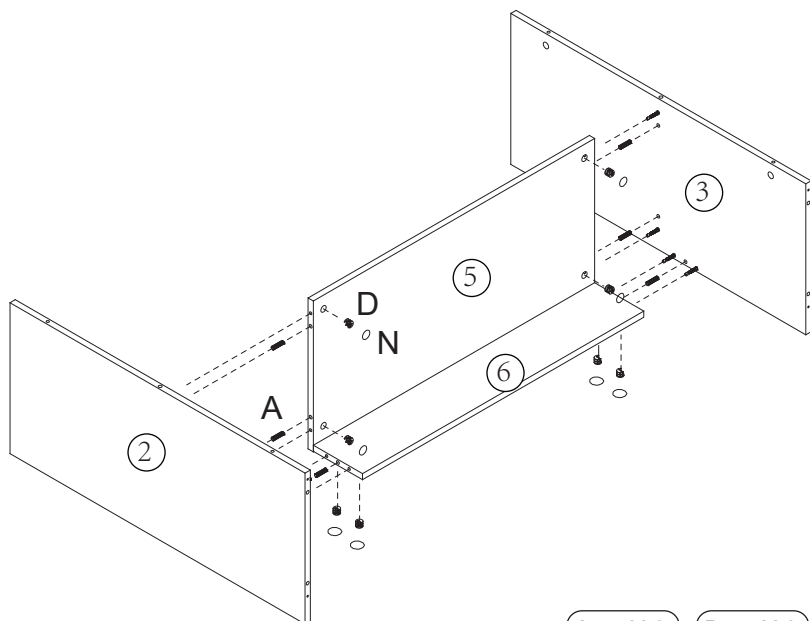
This product is packed in 2 outer boxes.Please install it after all.Thank you!

Assembly Instructions

1

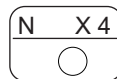
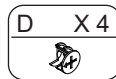
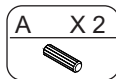
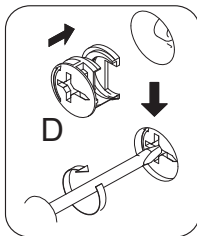
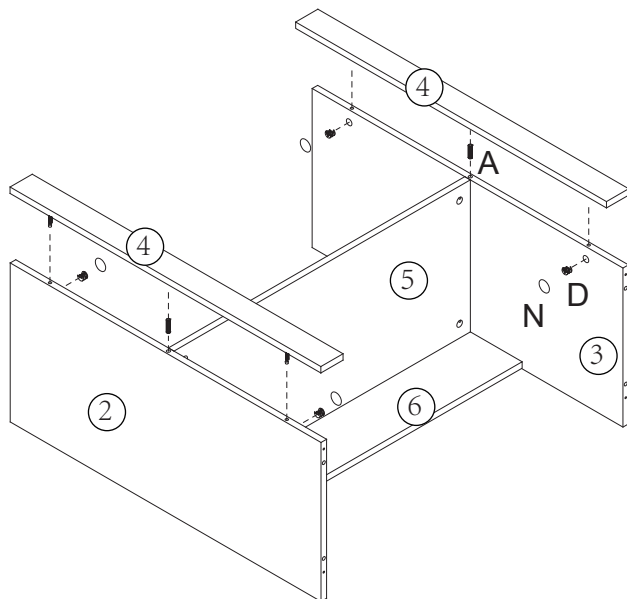


2

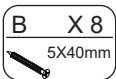
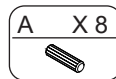
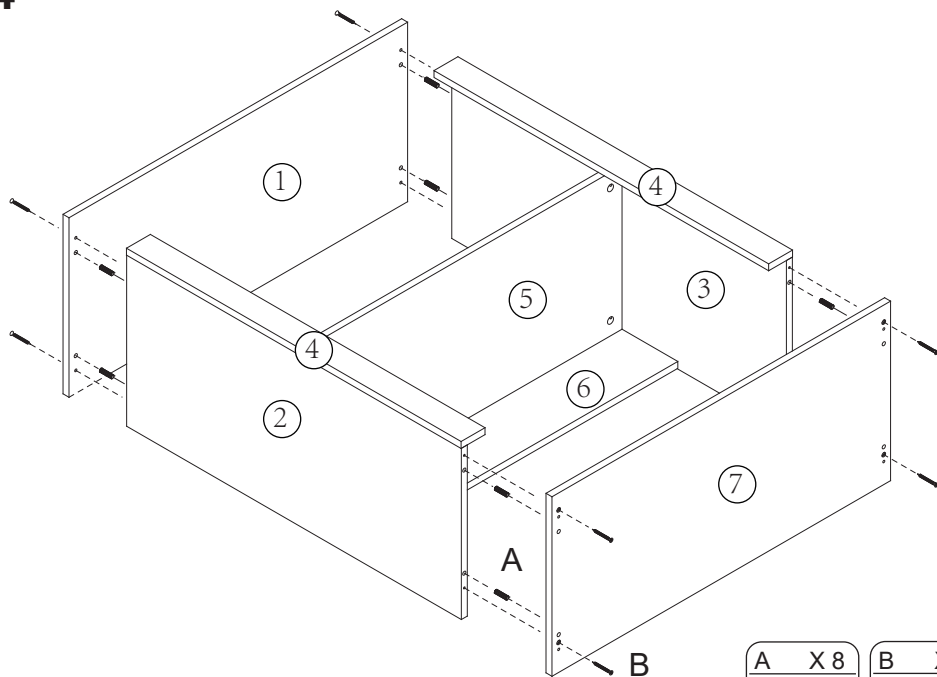


Assembly Instructions

3

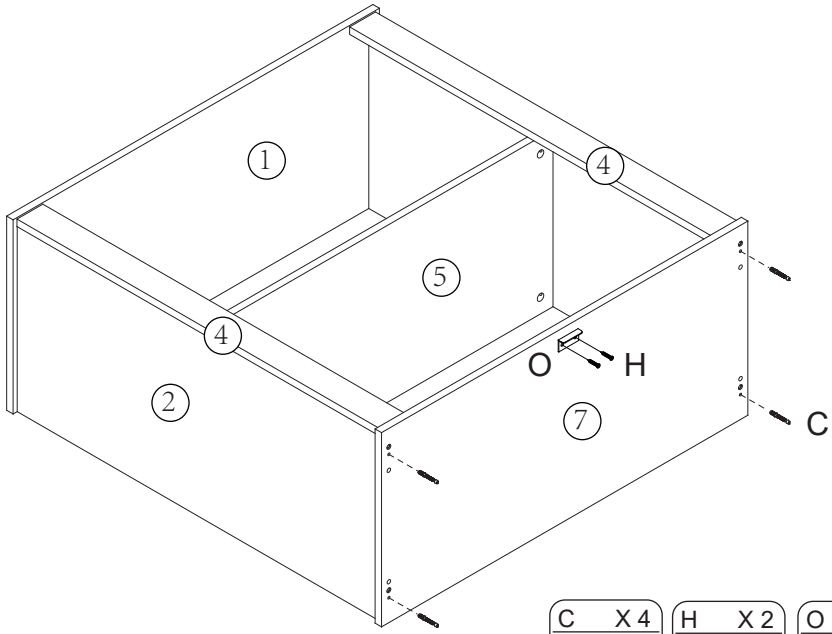





4



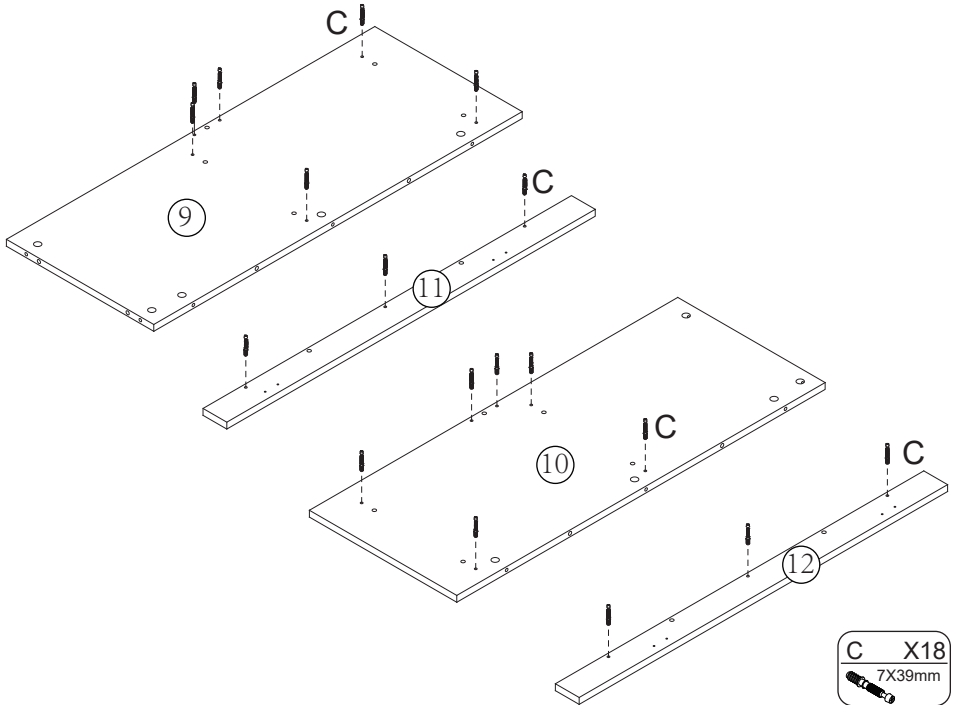
Assembly Instructions


5



C	X 4	H	X 2	O	X 1
	7X39mm		3.5X14mm		

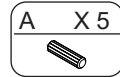
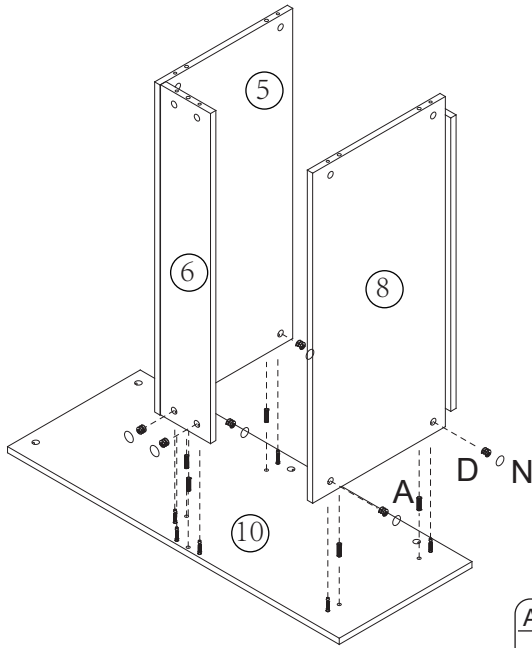
6



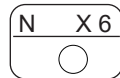
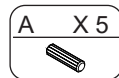
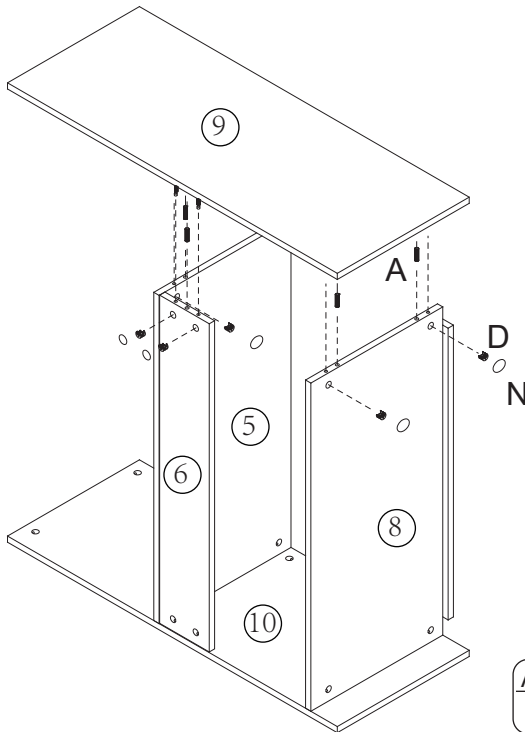
C	X 18
	7X39mm

Assembly Instructions

7

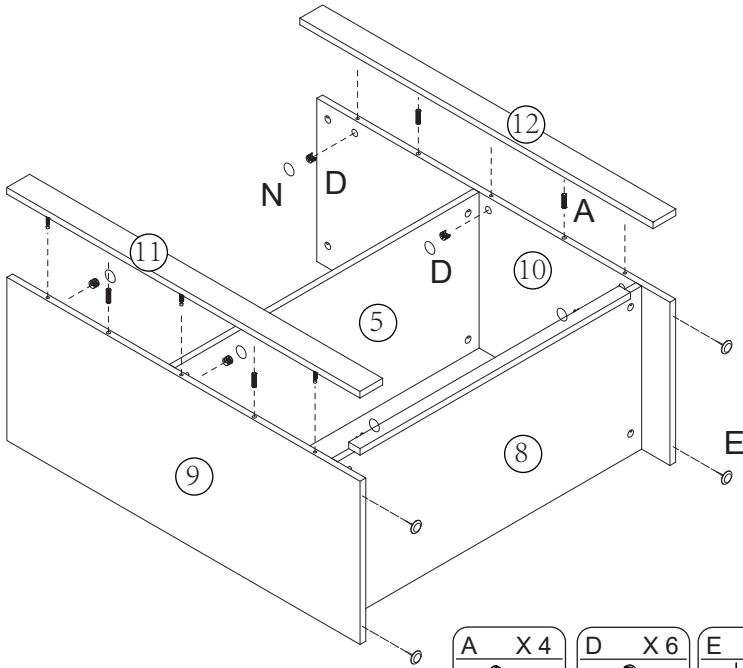


8



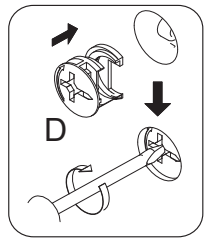
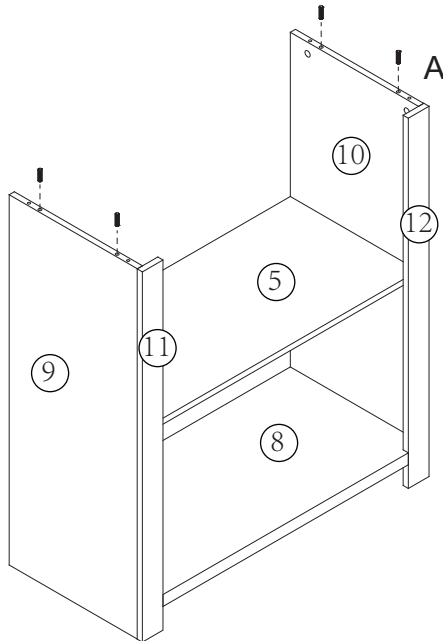
Assembly Instructions

9



A X4	D X6	E X4	N X6
------	------	------	------

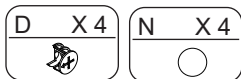
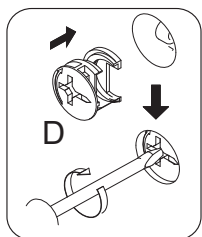
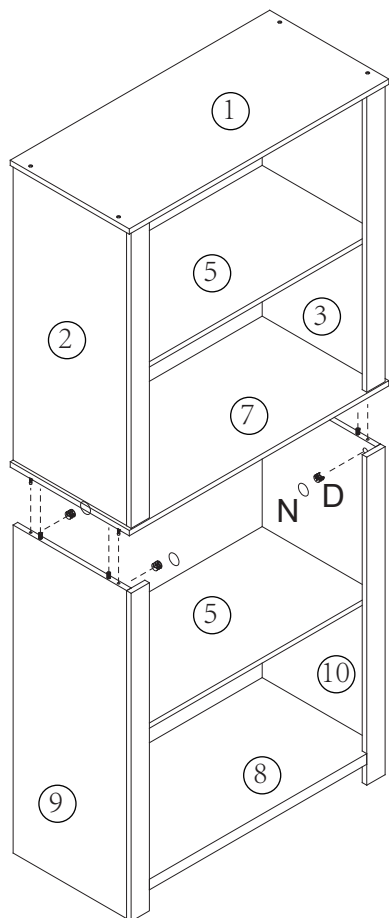
10



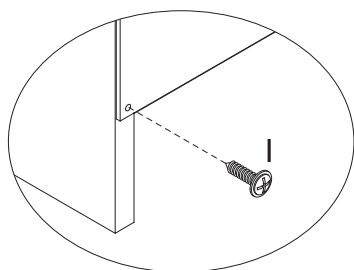
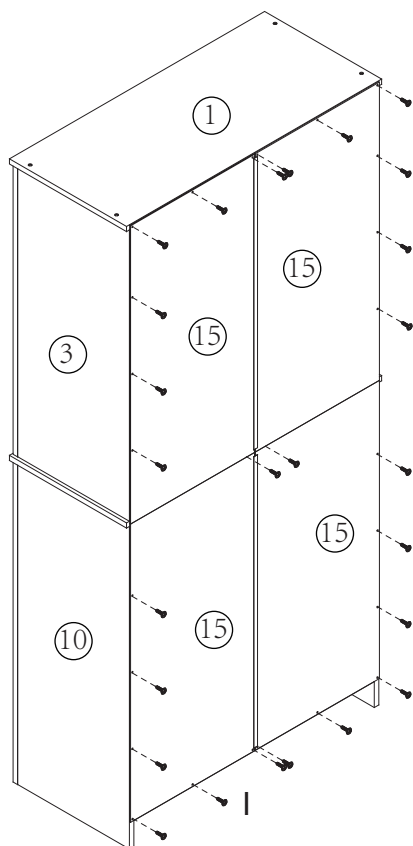
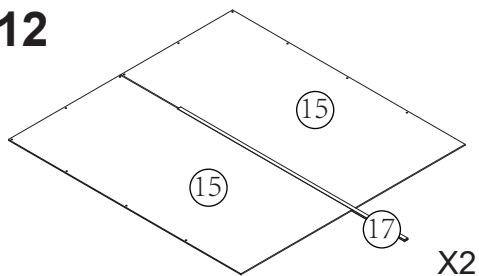
A X4

Assembly Instructions

11

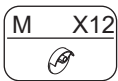
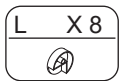
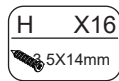
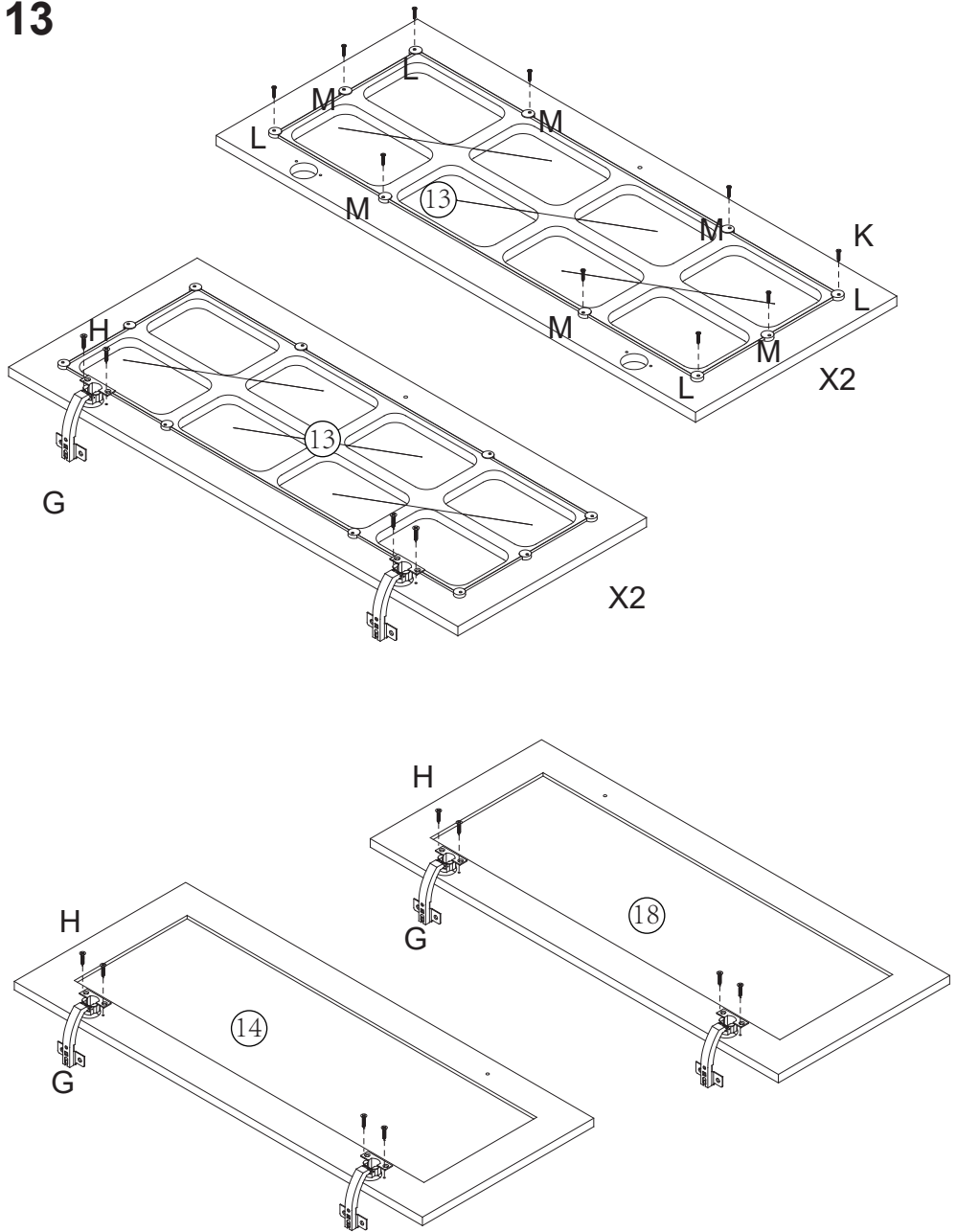


12

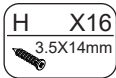
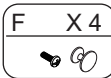
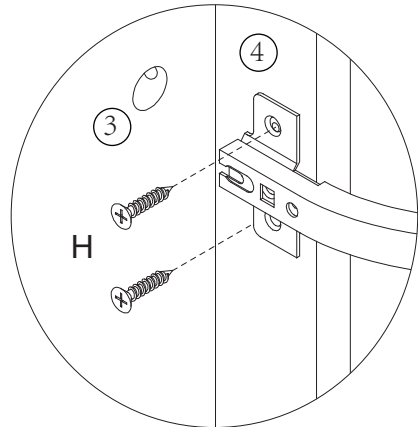
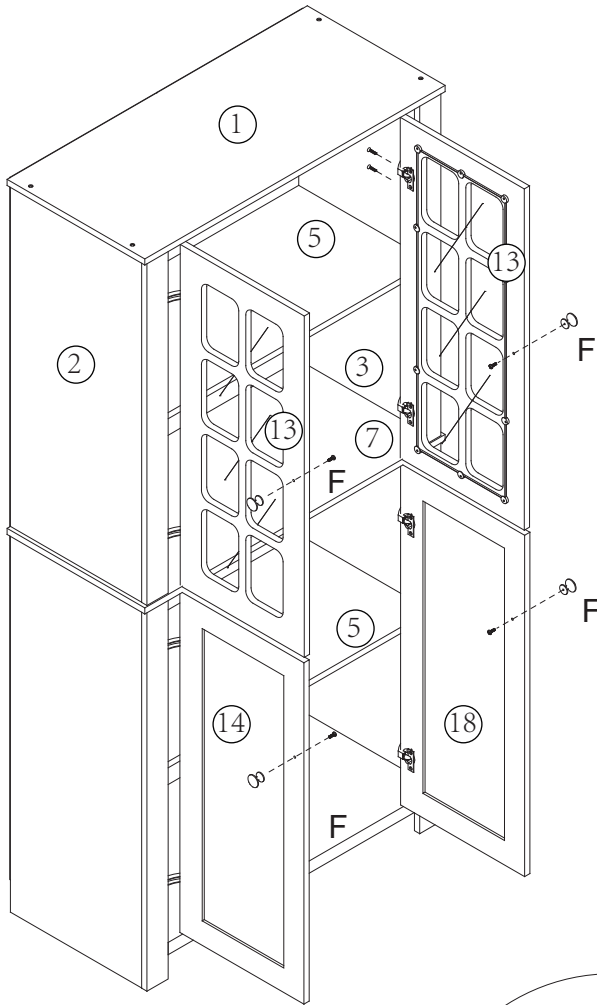


Assembly Instructions

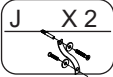
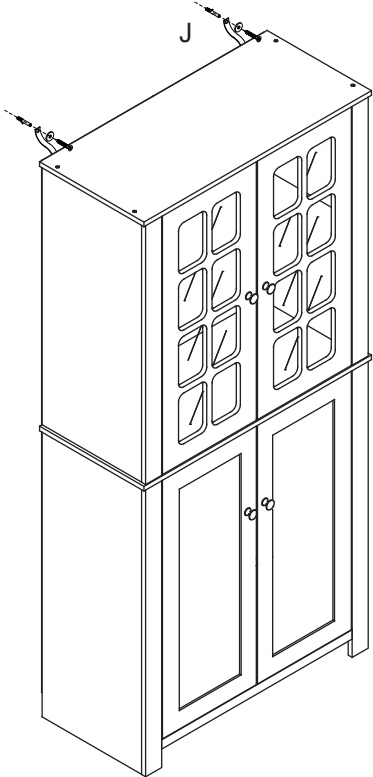
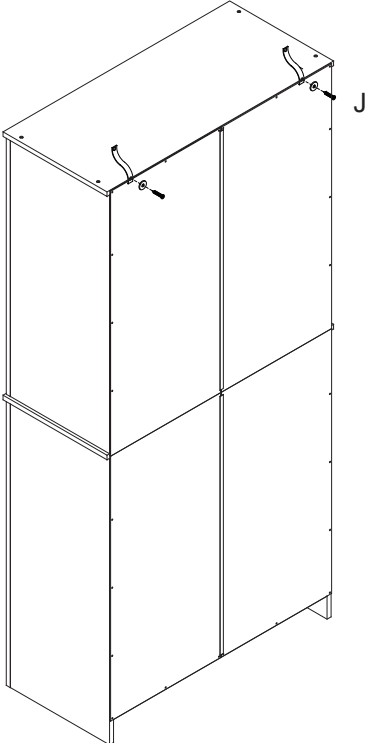
13



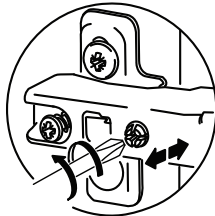
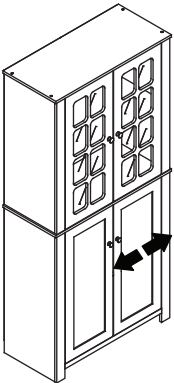
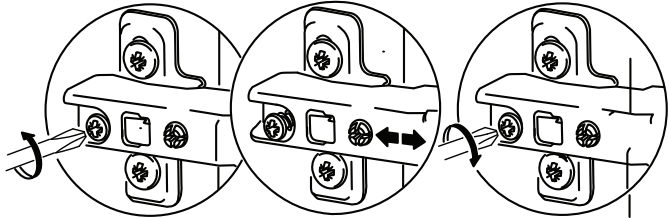
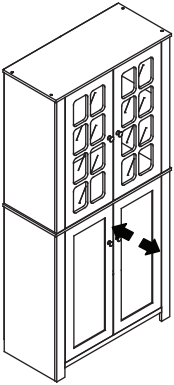
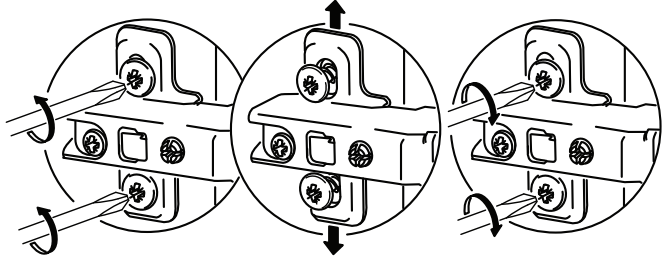
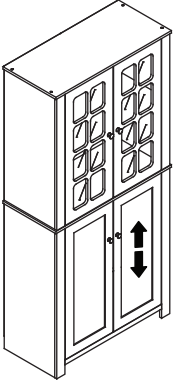
14



15



Assembly Instructions





001-877-644-9366
customerservice@aosom.com



001-855-537-6088
customerservice@aosom.ca



0044-800-240-4004
enquiries@mhstar.co.uk



0049-(0)40-88307530
service@aosom.de



0033-1-84166106
contact@aosom.fr



0034-931294512
atencioncliente@aosom.es



0039-0249471447
clienti@aosom.it