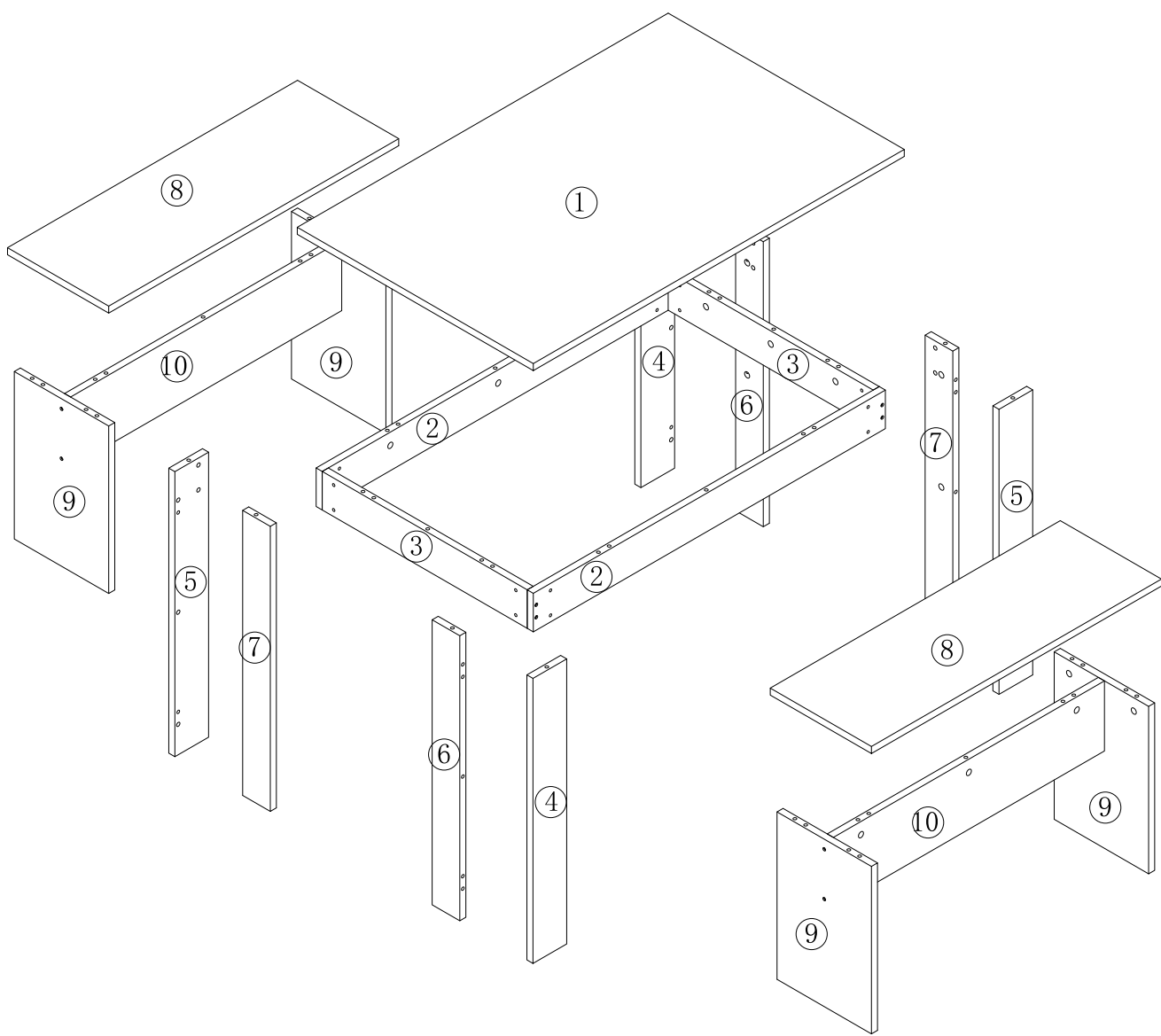



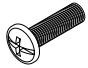

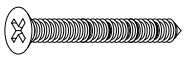
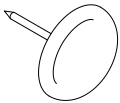



READ AND SAVE THIS INSTRUCTION FOR FUTURE USE

ASSEMBLY INSTRUCTION



<p>A x38</p>  	<p>B x36</p> 	<p>C x16</p> 	
<p>D x 8</p> 	<p>E x 8</p> 	<p>F x16</p> 	<p>G x 8</p> 








PACKING DETAILS: TOTAL 2 BOXES

BOX 1/2

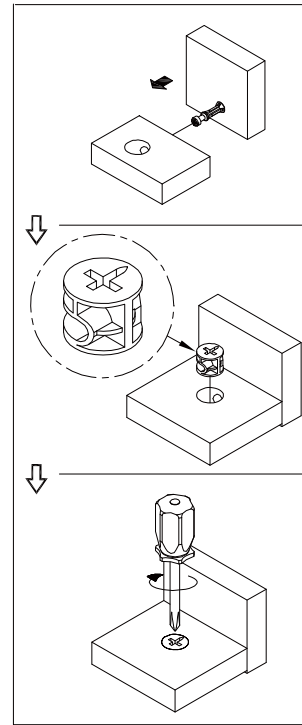
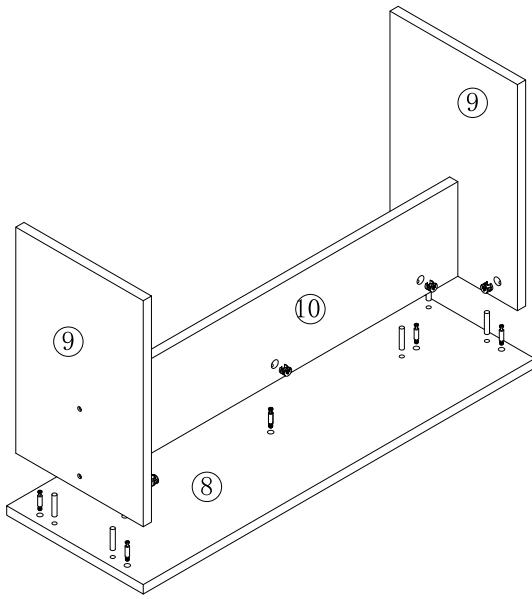
PART NO.	QTY
①	X1
②	X2
③	X2
④	X2
⑤	X2
⑥	X2
⑦	X2

BOX 2/2

PART NO.	QTY
⑧	X2
⑨	X4
⑩	X2

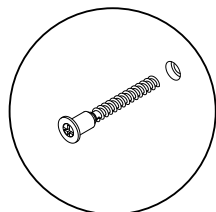
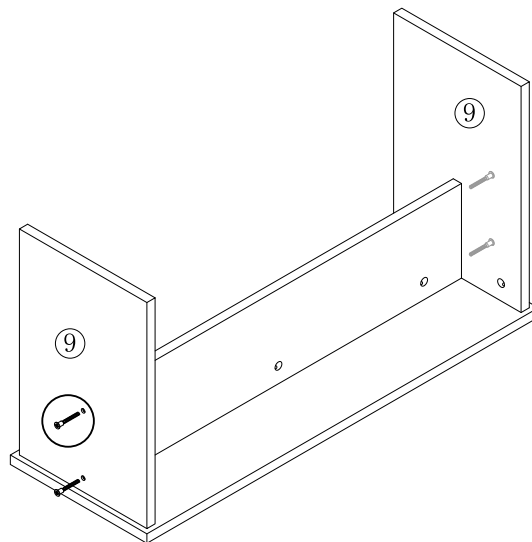
				
A*38	B*36	C*16	D*8	E*8
				
F*16	G*8			

A*14+B*12



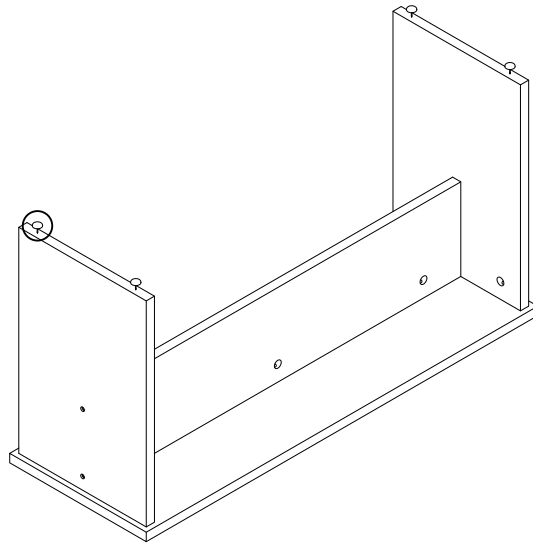
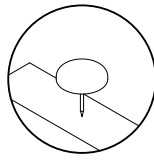
x2

D*8



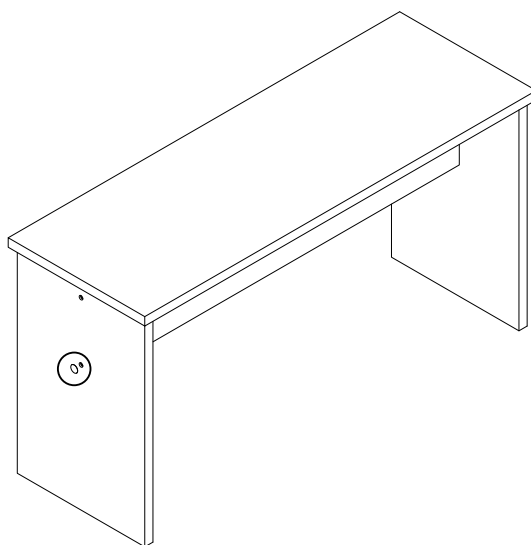
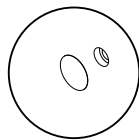
x2

F*8

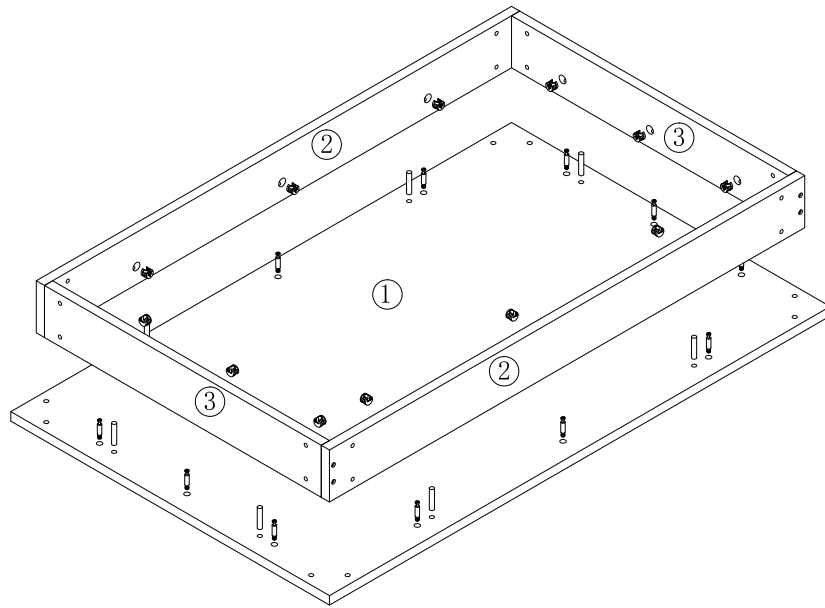
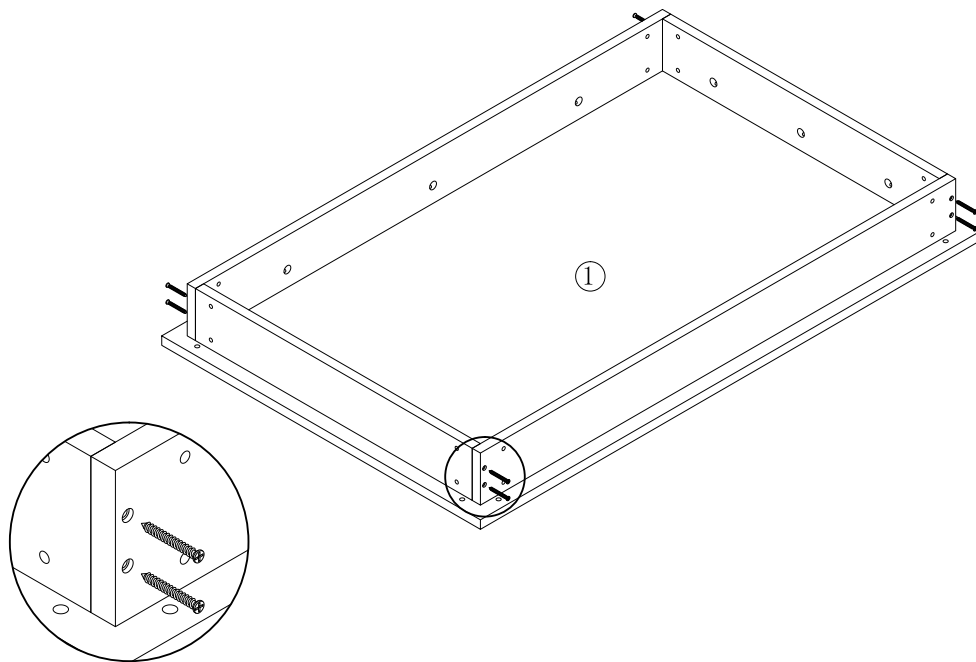


x2

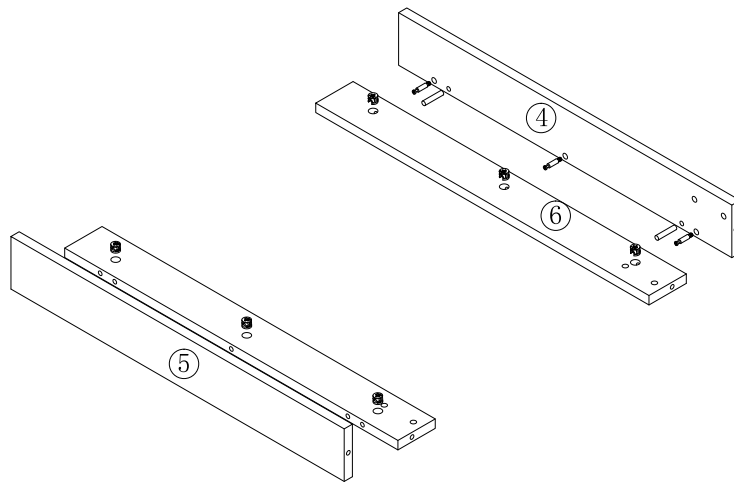
G*8



x2

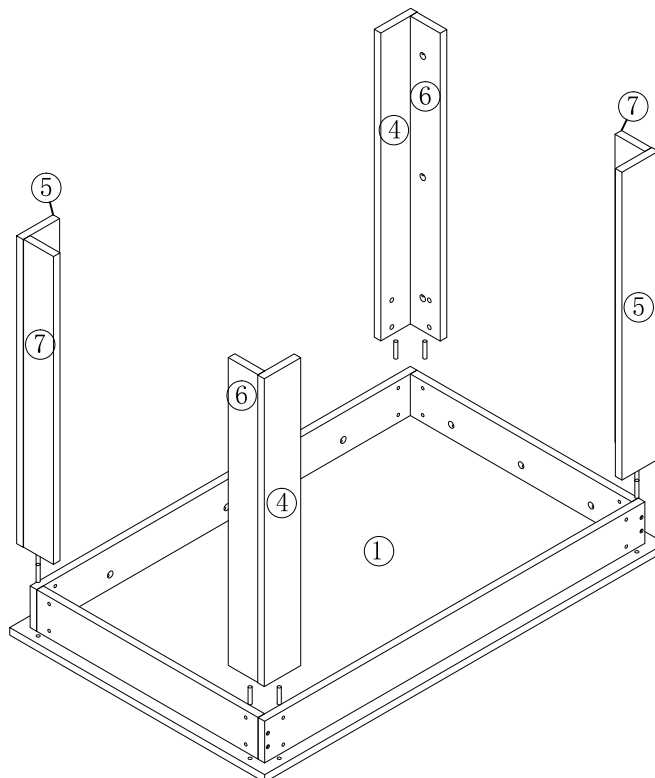
$A*12+B*8$  $E*8$ 

A*12+B*8

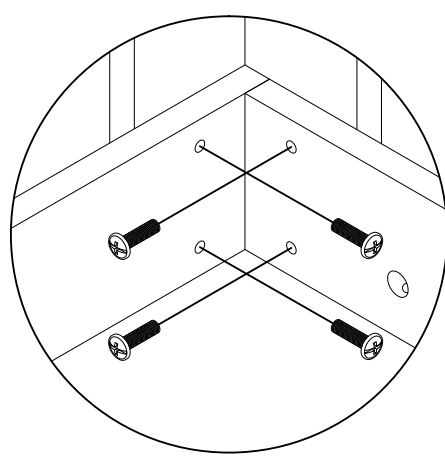
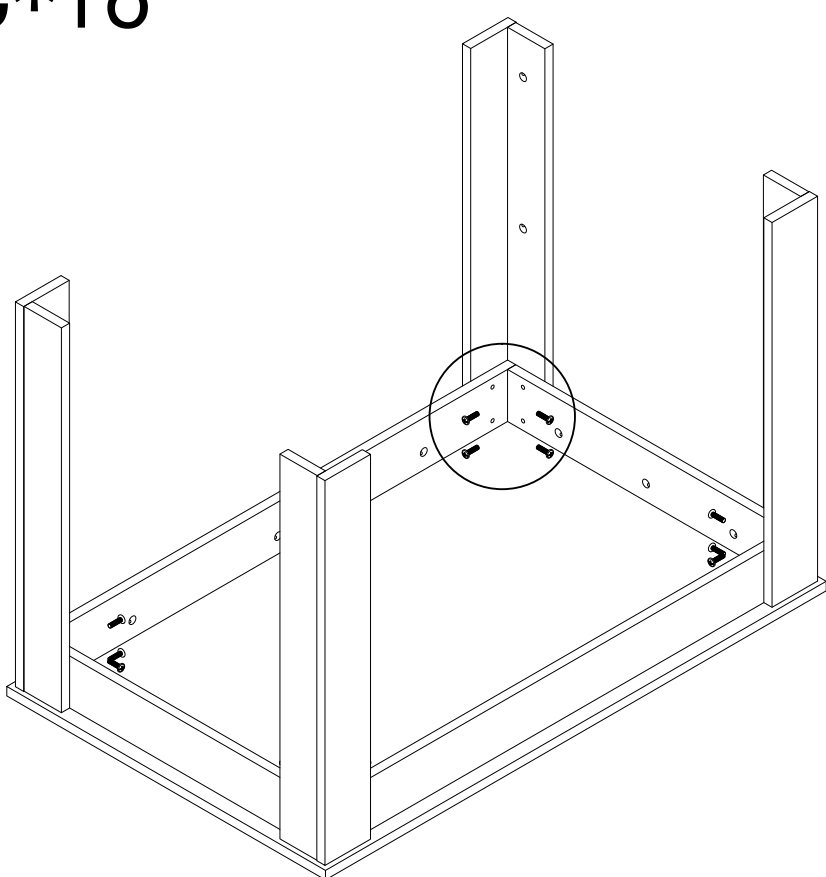


x2

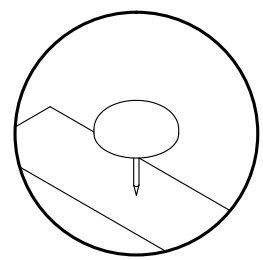
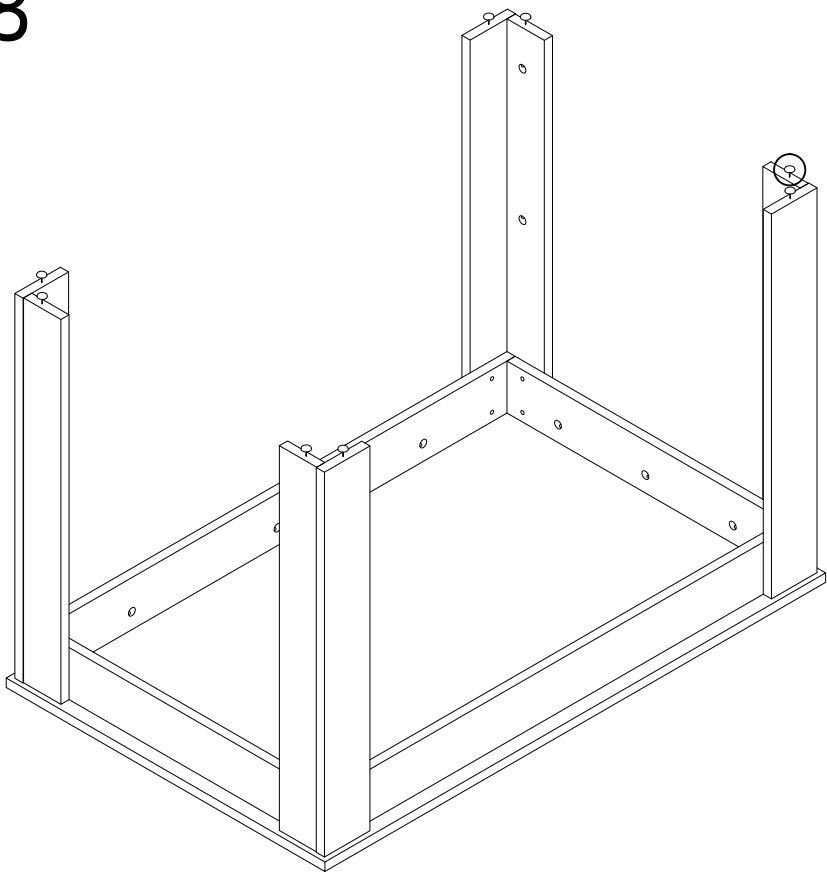
B*8

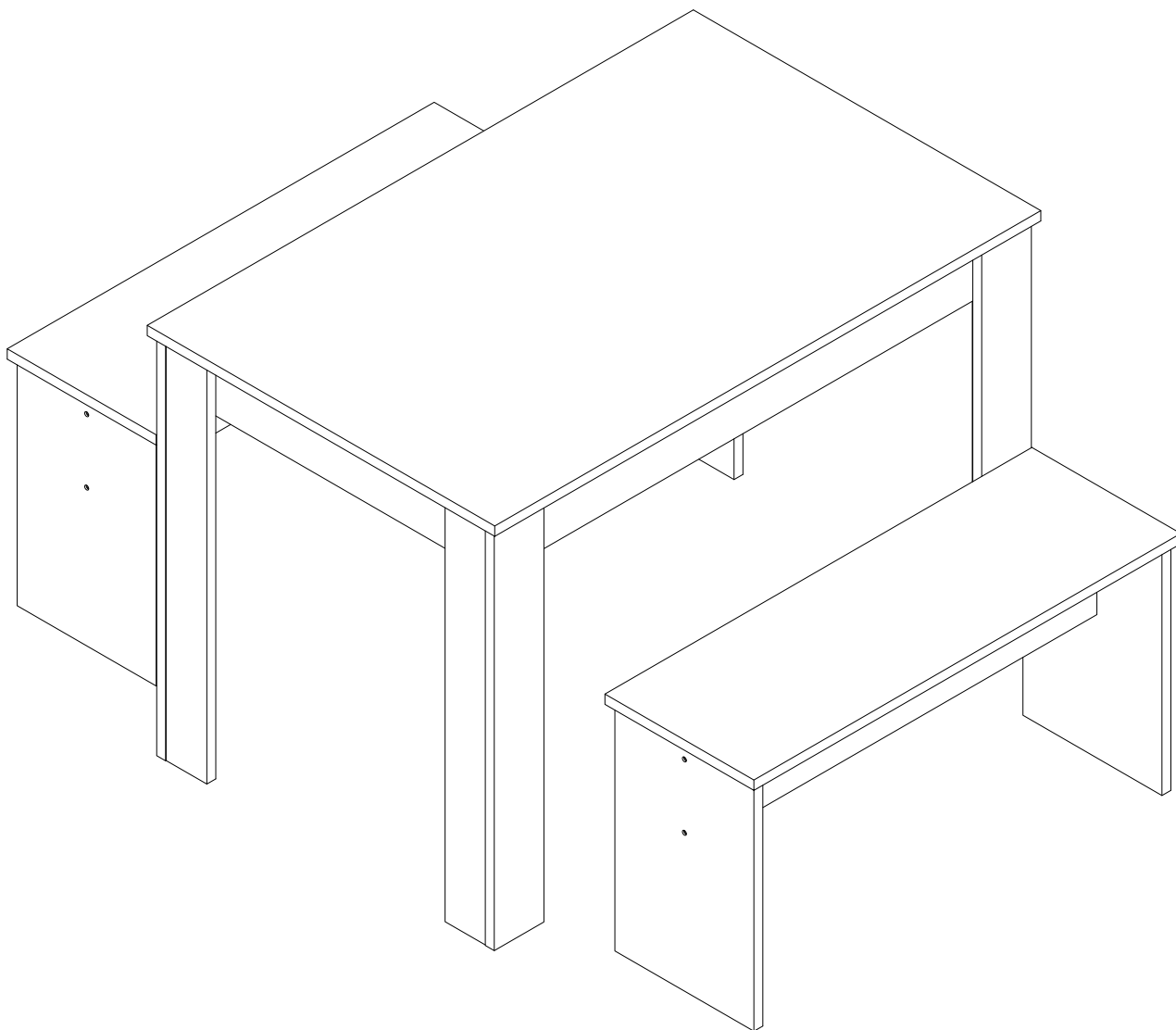


C*16



F*8





US



001-877-644-9366
customerservice@aosom.com

CA



001-855-537-6088
customerservice@aosom.ca

UK



0044-800-240-4004
enquiries@mhstar.co.uk

DE



0049-(0)40-88307530
service@aosom.de

FR



0033-1-84166106
contact@aosom.fr

ES



0034-931294512
atencioncliente@aosom.es

IT



0039-0249471447
clienti@aosom.it