



INcaa005V01_UK

5550-3467



IMPORTANT, RETAIN FOR FUTURE REFERENCE: READ CAREFULLY

ASSEMBLY INSTRUCTION

Chairs

IMPORTANT, RETAIN FOR FUTURE REFERENCE: READ CAREFULLY

Only for domestic use

Use tips:

- *Put the chair stably on a flat floor.
- *Building the chairs in good condition.
- *Stay away from open flames.
- *Avoid the overload at the chair.

Precautions before assembly:

- *Prepare a clean and dry mounting area.
- *Verify that the product is not damaged.
- *Check that none of the pieces are missing.

Maintenance:

- *Clean with a soft fabric.
- *Regularly remove leaves and / or water collected on the canvas.
- *Check the seating regularly.

Storage conditions:

*The fabric should be stored completely dry, in a clean and dry place to avoid the risks of mold.

Caution with the risks of pinching or cuts during assembly.

The manufacturer declines all responsibility in case of damages due to a bad installation.

If the seating is fitted with seat height adjustment with energy accumulators, only trained personnel may replace or repair seat height adjustment components with energy accumulators.

IMPORTER ADDRESS:

MH STAR UK LTD
Unit 27, Perivale Park,
Horsenden lane South
Perivale, UB6 7RH

MADE IN CHINA

1



X1

2



X2

3



X1

4



X1

5



X1

6



X1

7



X1

8



M6X40-4

9



M6X20-4

10



M8X20-2

11



X1

12



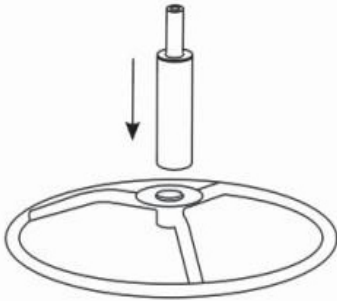
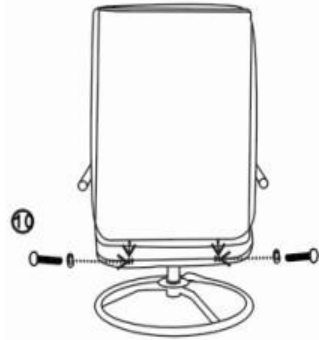
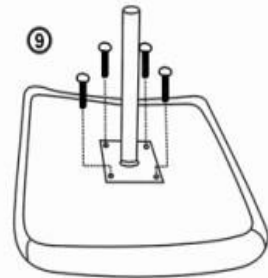
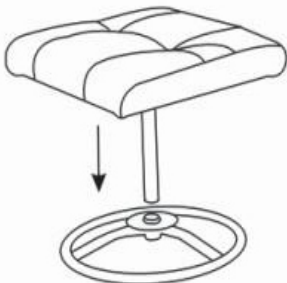
X1

13



14



01**02****03****04****05****06**

REMOTE CONTROLLER INSTRUCTIONS

Vibro Massage Kit Manual

➤ Controller panel & LCD instructions



➤ Operation manual

- Plug the AC Adapter into a power supply and input the DC end to the outlet of controller.
- Press **ON/OFF** to startup massage kit. It runs from mode 1st to 10th in automatic style (The auto lamp will be on, each mode switch to next mode per 1 minute). Default timer is 30 minutes; default intensity is in grade 5. Press **ON/OFF** again to stop work.
- Press **INTENSITY** to choose massage intensity, the intensity lamp will be indicated more until full, totally 10 grades
- Press **AUTO** to set automatic mode circle.
- Press **TIMER** to set up running time within 1~99 minutes. Default running time is 30 minutes.
- Press **MODE**▲/**MODE**▼ to Select different manual vibration mode, totally 10 styles.
- Press **HOLD** to lock or unlock neck's vibration.
- Press **HEAT** , the heating function will be on.

➤ How to deal with the trouble case?

Trouble Case	Potential Factors	The way to solve
Vibrators don't work	<ol style="list-style-type: none">Whether the adaptor correspond with the country standard.Power supply has no good touch with socket.Controller handset open or not.	<ol style="list-style-type: none">Use the correct adaptorCheck the power supply has been correctly connected to the socketPower on the handset, and operate as per the instructions.
Vibrators suddenly stop or run in wrong order.	<ol style="list-style-type: none">Automatically stop work because of default timer.wrong operations.Connector not be connected well	<ol style="list-style-type: none">Restart the handset.Power off and disconnect with power supply socket, restart and power on after 20 minutes.Check all of the related connector and reconnect

➤ Technical Parameters

Output: DC12V

Input: 230V~50Hz

Operating Current: 1000mA

*****Pay high attention*****



Heating thermostat must be attached with the heating line, in order to monitor and test over heating. Never take off and separate with heating line. *****

➤ Cautions:

- Message kit will accelerate body's blood circulation, do not use massage in pregnancy, thrombosis, heart disease and related illness.
- Children should use the massage cushion only with proper supervision.