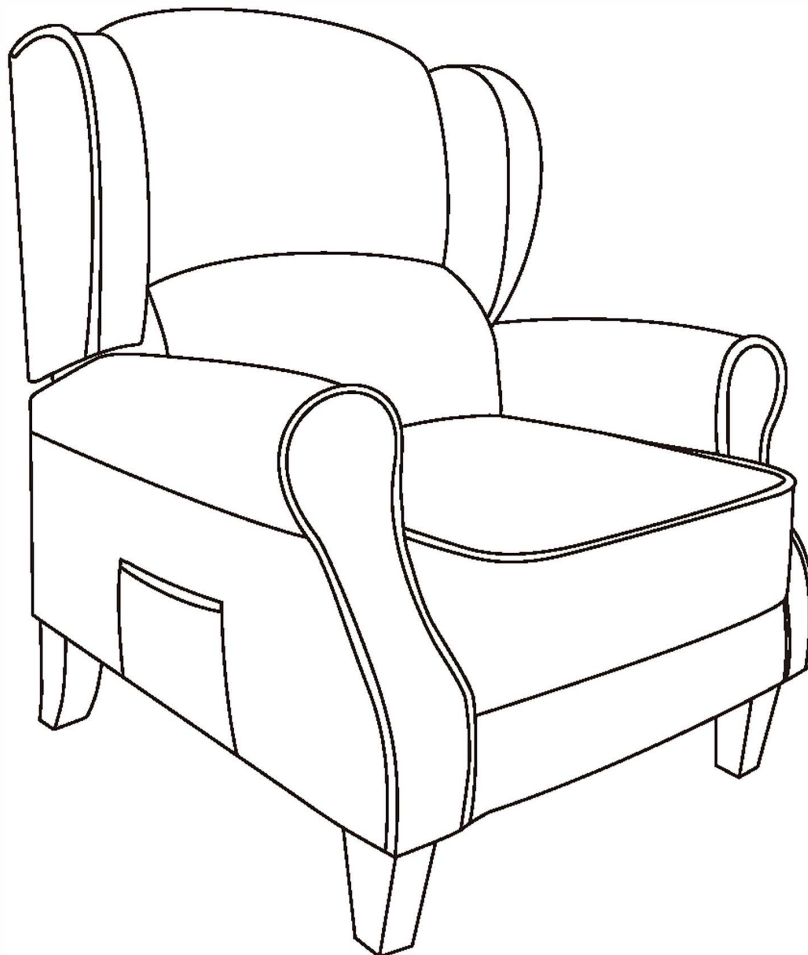


MASSAGE CHAIR



READ AND SAVE THIS INSTRUCTION FOR FUTURE USE

ASSEMBLY INSTRUCTIONS

Chairs

IMPORTANT-KEEP THIS INFORMATION FOR YOUR SUBSEQUENT CONSULTATION: READ CAREFULLY

Only for domestic use

Use tips:

- *Put the chair stably on a flat floor.
- *Building the chairs in good condition.
- *Stay away from open flames.
- *Avoid the overload at the chair.

Precautions before assembly:

- *Prepare a clean and dry mounting area.
- *Verify that the product is not damaged.
- *Check that none of the pieces are missing.

Maintenance:

- *Clean with a soft fabric.
- *Regularly remove leaves and / or water collected on the canvas.
- *Check the seating regularly.

Storage conditions:

*The fabric should be stored completely dry, in a clean and dry place to avoid the risks of mold.

Caution with the risks of pinching or cuts during assembly.

The manufacturer declines all responsibility in case of damages due to a bad installation.

If the seating is fitted with seat height adjustment with energy accumulators, only trained personnel may replace or repair seat height adjustment components with energy accumulators.

Importer

MH STAR UK LTD
Unit 27, Perivale Park,
Horsenden lane South
Perivale, UB6 7RH

<https://www.aosom.co.uk>

Made in China

Congratulations on having purchased our massage armchair. Please read this instruction manual carefully before using it (especially the points regarding safety) in order to use the armchair correctly. Keep this manual somewhere close by so that you can always refer to it if needed.



| | |
|--|----|
| Safety Rules..... | 4 |
| The armchair parts..... | 5 |
| Functional Description of Massager | 6 |
| Massage Areas..... | 7 |
| Principal Characteristics..... | 8 |
| Assembly Instructions..... | 9 |
| Certificates | 10 |
| Troubleshooting..... | 11 |

SAFETY RULES

- Never set the armchair in wet/damp areas or where dust can accumulate as these could cause an electrical fault or a mechanical dysfunction.
- Never use the massage armchair inside your home if the room temperature is over 40°C.
- Never place the armchair near a heat source (oven, chimney, etc...) or indirect sunlight.

Do Not use the armchair if:

- The armchair is wet
- Your hands are wet
- Only clean the chair with a dry cloth
- It's advisable not to use the massage armchair for more than 30 minutes at a time and that you drink 2 glasses of water after using it.

Situations where you should not use the massage armchair:

Switch the armchair's massage system off if it gets wet or seems not to be working properly, if any part of the armchair is damaged or malfunctioning, if any part of the armchair appears to be damaged or wiring is exposed, if you feel unwell or feel any pain during the massage, or if there has been a general electrical fault.

When the massage system of the armchair is not in use:

- Make sure it is switched off
- Unplug the armchair's massage system from the mains when you are not going to use it for long periods of time
- Keep the massage armchair clean and dry place.

Disassembling the massage armchair:

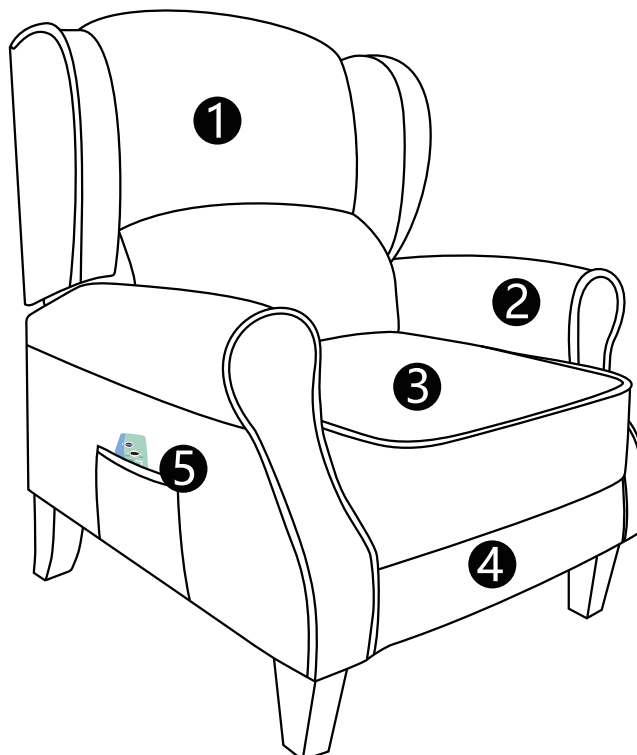
- Do not remove the back of the armchair .
- Do not try to disassemble or repair the armchair yourself.

Correct way to handle the mains plug:

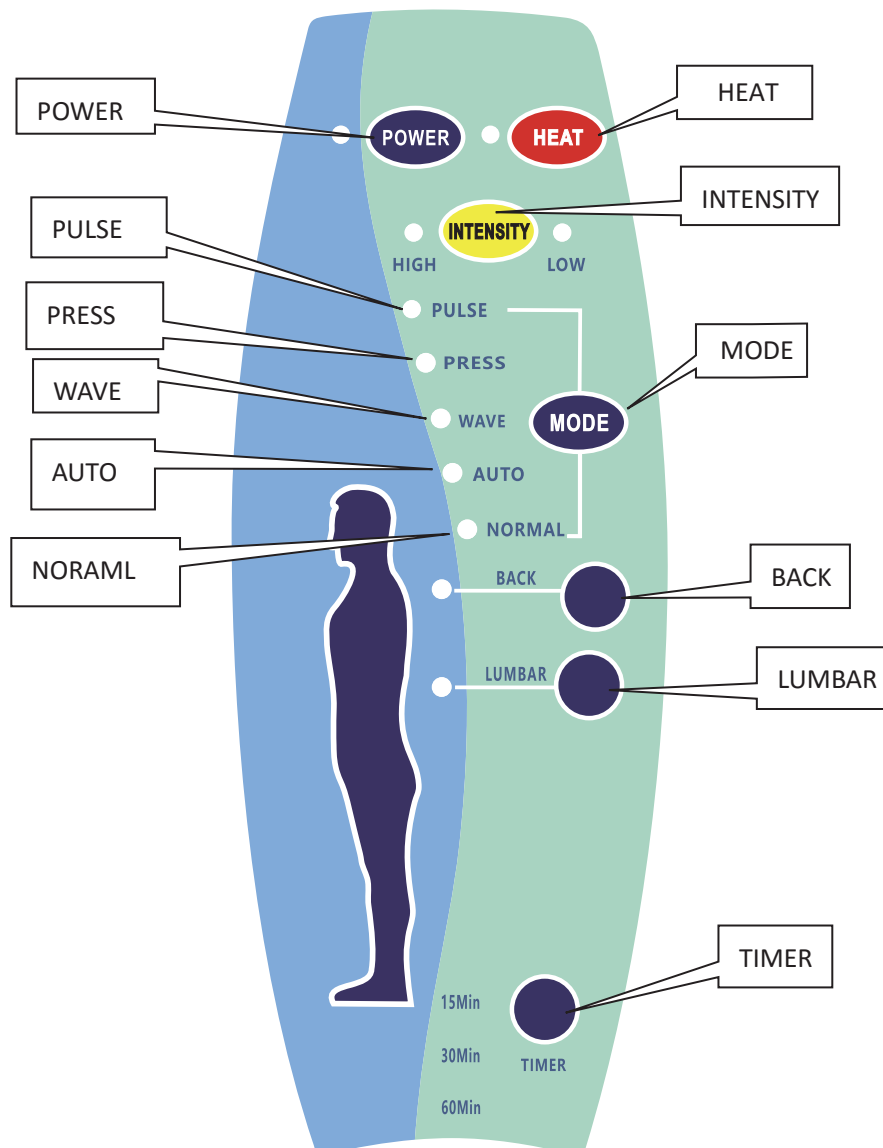
- Check that you have the right voltage.
- Never use force on the cable or plug.
- Never pull the cable with wet hands.
- When removing the plug, hold the plug itself, do not pull on the cable.
- Do not use the armchair massage system if either the cable or the plug are damaged.

The Parts forming the massage armchair:

- 1) Back
 - 2) Armrests
 - 3) Seat
 - 4) Footrest
 - 5) Control unit
- Massage Remote



Functional Description of Massager



This massager is in 2-point, composed of a manual control board, wire rod and motor. It is available in 5 functional modes, and is provided with manual/automatic function, heat, time control and strong/weak control function.

I. Specification of Massager

1. The required input voltage of the massager Power is AC100~220V,50 or 60Hz.
2. The Rated output voltage of the massager Power is DC12V, 1200mA.

II. Graphic presentation of Controller

1. POWER: turn on/off selection key

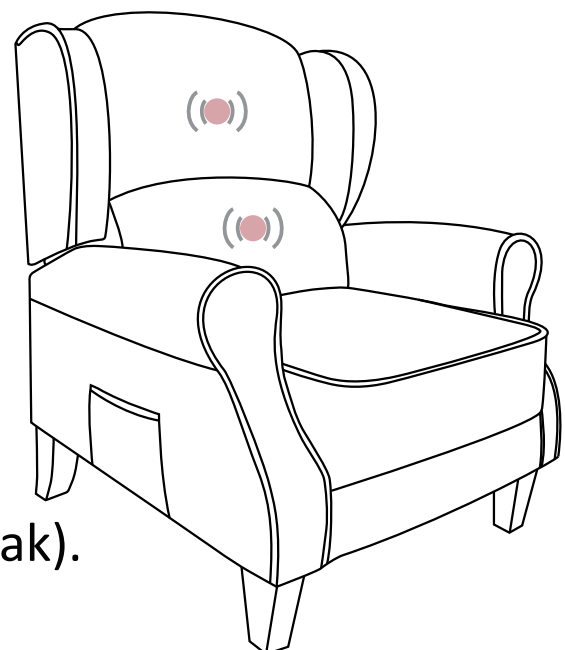
2. HEAT: heating on/off key
3. INTENSITY: strong/weak selection key.
4. MODE: working mode selection key
5. BACK: back massage function selection key
6. LUMBAR: lumbar massage function selection key
7. TIMER: set working time key

III. Operating Instructions

1. Insert the power into the DC socket
2. Press the POWER key to start the unit, when the unit will enter the first mode to run for 15min in the medium step, with all the corresponding indicators illuminated.
3. Press the HEAT key to select the heating function ON ,Press the key again switch off the heating function.
4. Press the TIMER key, the unit's control time will switch between 15min, 30min and 60min.
5. Press the FUNCTION key to select different working modes (PULSE,PRESS,WAVE,AUTO,NORMAL)
6. Press the INTENSITY key to select the high and low the intensity of vibration.
7. Press the BACK, or LUMBAR key will to massage the different places of the body

Massage Areas

- The chair comes in two parts that are easily assembled and easy to clean.
 - It has 1 hand control unit for controlling the massage functions.
- 2 vibratin massage points(Back and Lumbar), 2 levels of intensity(strong/weak).
5 different types of massage.



Principal characteristics of the armchair

1) Components:

- Back, seat, armrest, footrest, 1 control unit and the power supply.

2) Functions:

- Reclining back, extendible footrest, massage function

3) Usage:

- Indoors, avoid high temperatures and wet or damp areas.

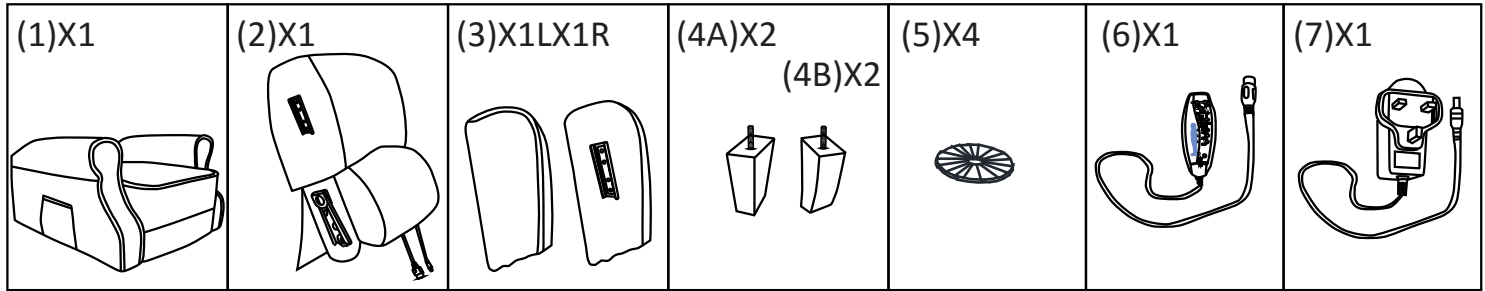
Precaution:

- Never sit on the hand control or place heavy objects on top of it
- Do not drop the hand control on the floor.
- Do not use the hand control with wet fingers.
- Never unplug the hand control unit without first turning the current off.
- The massage armchair should be left to rest for 30 minutes after it has been used for 30 minutes.

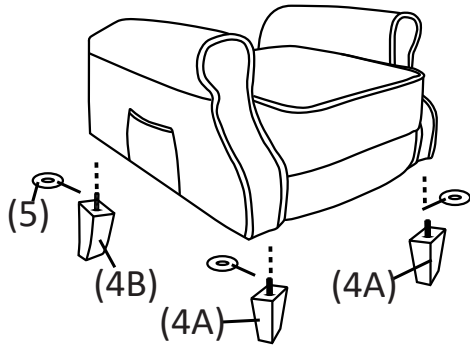
Effects and benefits of the massage:

- Alleviates muscular fatigue.

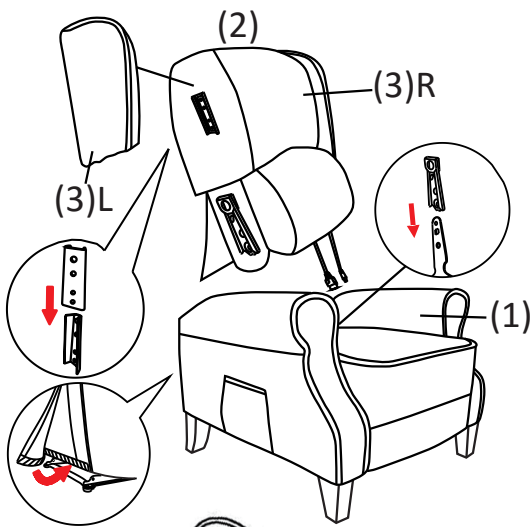
Assembly Instructions:



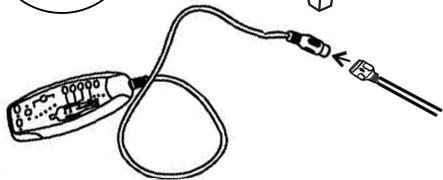
1)Align the plastic washer and leg with the mounting hole on the bottom of the sofa, rotate the leg to clockwise until tighten.



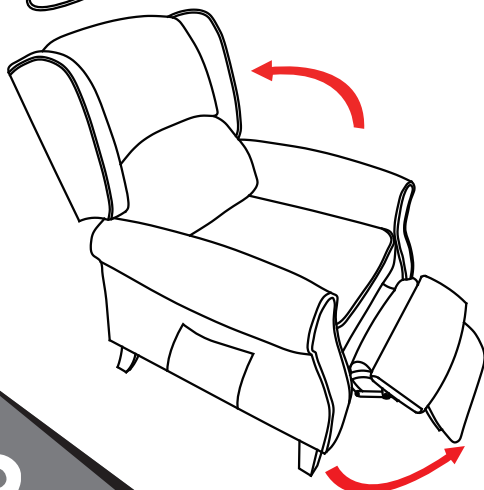
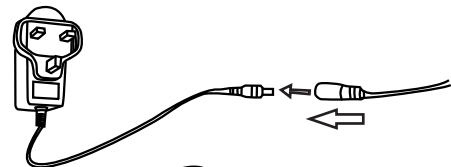
2)Position the Ears and Back so that they fits into the seat,you will hear a “click” when they are in place.



3)Connect the massage supply cable pins. Fit the pins properly in the manner shown in the image. Do not force them, they only have one correct position.



4)The pins must be connected correctly. If the armchair start working when you finally turn it on and doesn't stop, it will be because the pins have been conncteted the wrong way round. If that should happen, turn the power off and connect the pins correctly.



5)Push the back backward slowly, and then recline the chair freely. The back of the armchiar will be extended back to the maximum rear lying angle.

CERTIFICATES:

RoHS

CE

SGS

EMC

LVD

| | | | |
|-------------------------------|--------------------|--------------------|----|
| Model: | RSS1002-144120-W3U | RSS1002-144120-W3U | |
| Input voltage | 100-240 | 100-240 | V |
| Input AC frequency | 50-60 | 50-60 | Hz |
| Output voltage | 12 | 12 | V |
| Output current | 1.2 | 1.2 | A |
| Output power | 14.4 | 14.4 | W |
| Average active efficiency | 85.02 | 84.98 | % |
| Efficiency at low load (10 %) | 76.58 | 75.32 | % |
| No-load power consumption | 0.074 | 0.099 | W |

MH STAR UK LTD
Unit 27, Perivale Park,
Horsenden lane South
Perivale, UB6 7RH

Troubleshooting:

If the armchair is not working, check the following chart. Make sure you turn the power off and unplug from the mains. If you have any questions, please contact us. Do not disassemble or repair any part of the armchair yourself.

PROBLEM

POSSIBLE CAUSE

There is a noise during the massage

The noise caused by the massage motors, not a fault in the armchair.

The massage armchair does not function when the button on the control unit is activated

Check that the AC plug is pushed into the mains properly. Check whether the power supply button is on.

Difficult to put the footrest back

This problem caused by high strength footrest support spring we are using for long term use. The footrest will be easier to put back after using for several time



0044-800-240-4004
enquiries@mhstar.com.uk