





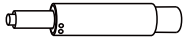


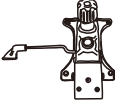





INcba158\_US\_CA

**921-391**

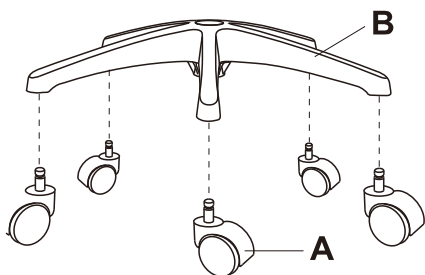


READ AND SAVE THIS INSTRUCTION FOR FUTURE USE

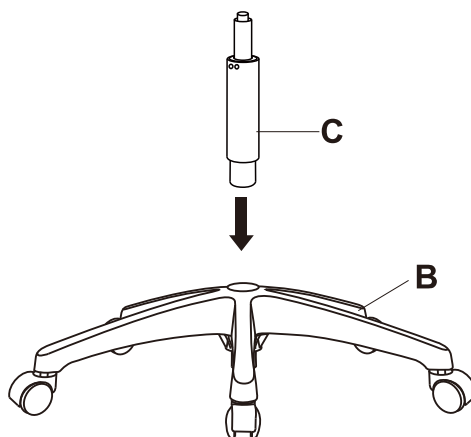
**ASSEMBLY INSTRUCTION**

<b>A x 5</b> 	<b>B x 1</b> 	<b>C x 1</b> 	
<b>D x 1</b> 	<b>E x 1</b> 	<b>F x 1</b> 	<b>G x 4</b>  5/16x25mm
<b>G1 x 6</b>  1/4x35mm	<b>G2 x 3</b>  5/16x22mm	<b>H x 2</b> 	<b>L x 1</b>  5#

**01**

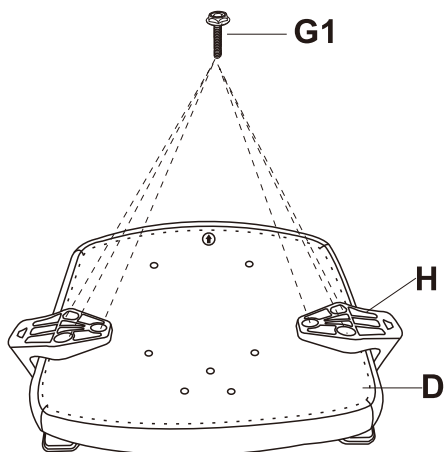


**02**



**03**

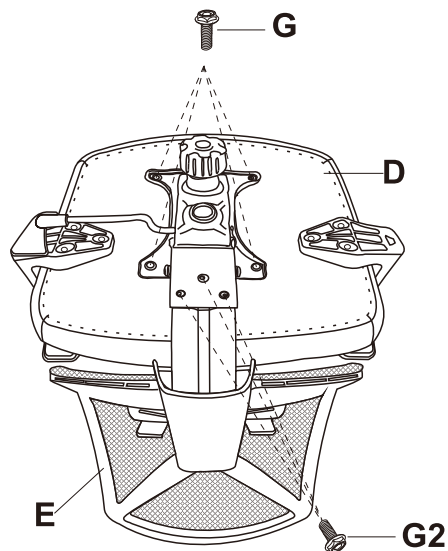
**G1 x 6**

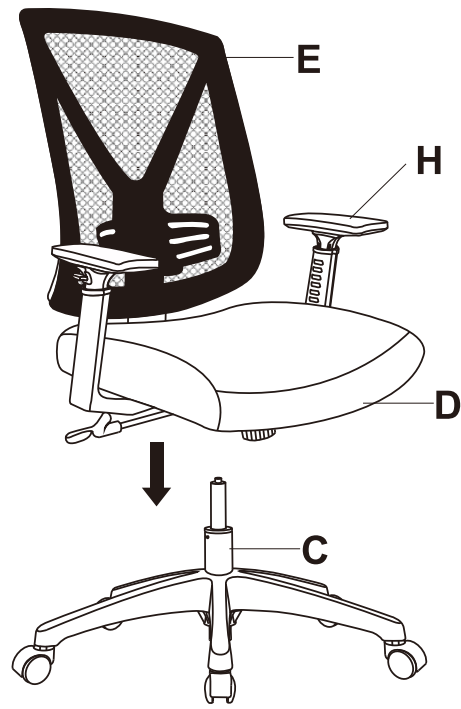


**04**

**G x 4**

**G2 x 3**





US



001-877-644-9366  
customerservice@aosom.com

CA



001-855-537-6088  
customerservice@aosom.ca

UK



0044-800-240-4004  
enquiries@mhstar.co.uk

DE



0049-(0)40-88307530  
service@aosom.de

FR



0033-1-84166106  
contact@aosom.fr

ES



0034-931294512  
atencioncliente@aosom.es

IT



0039-0249471447  
clienti@aosom.it