





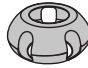

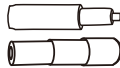









INcba159\_US\_CA

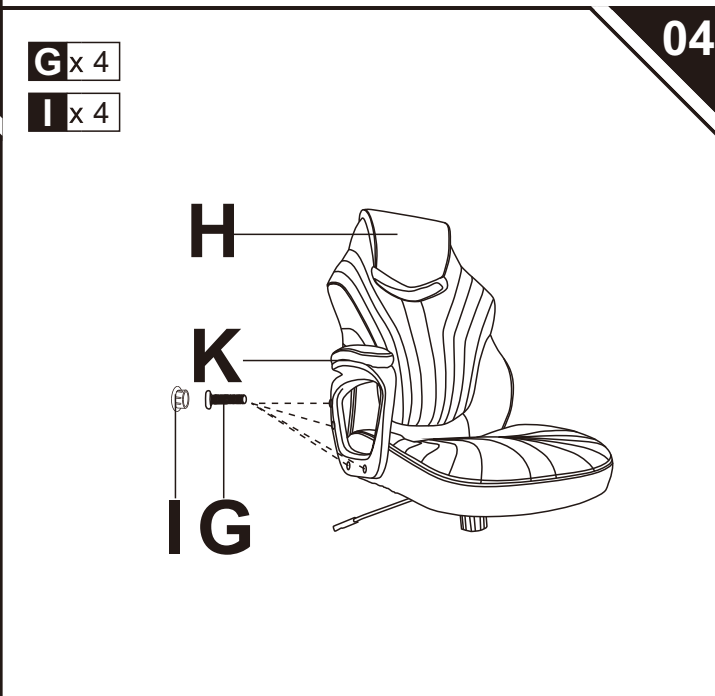
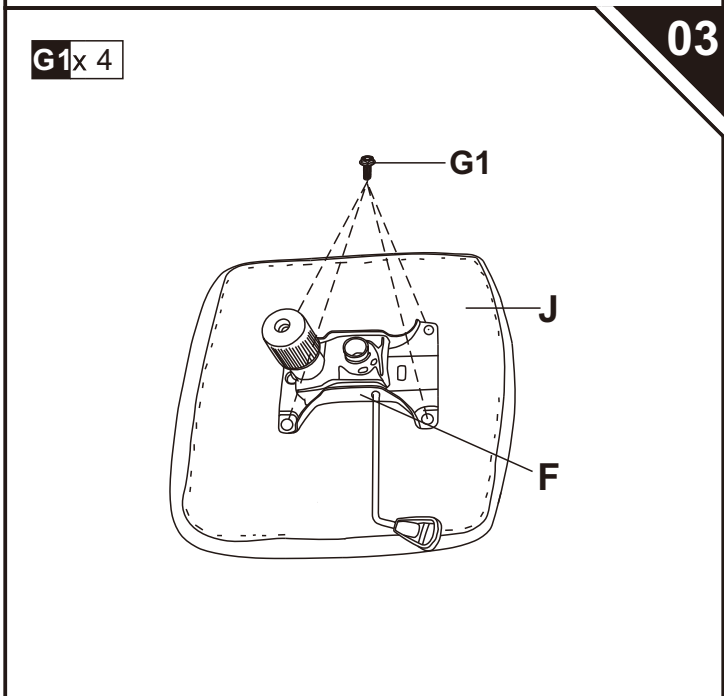
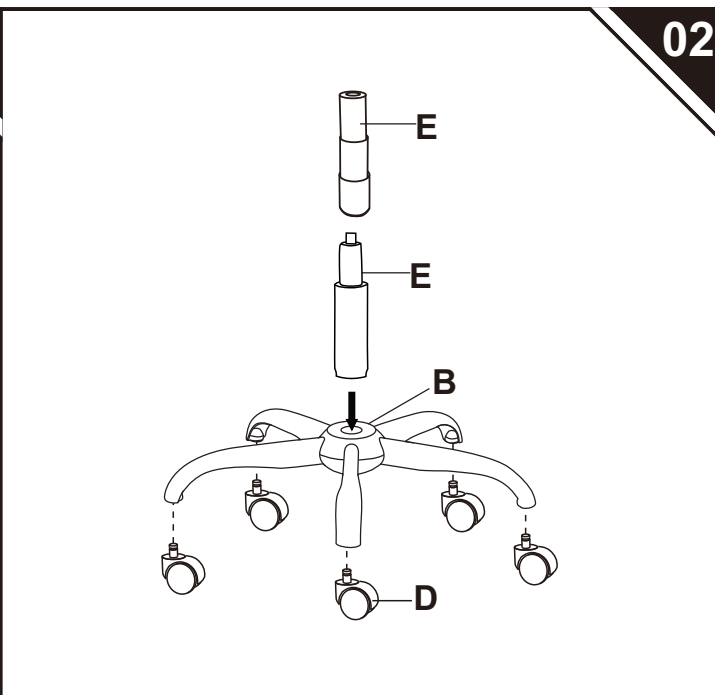
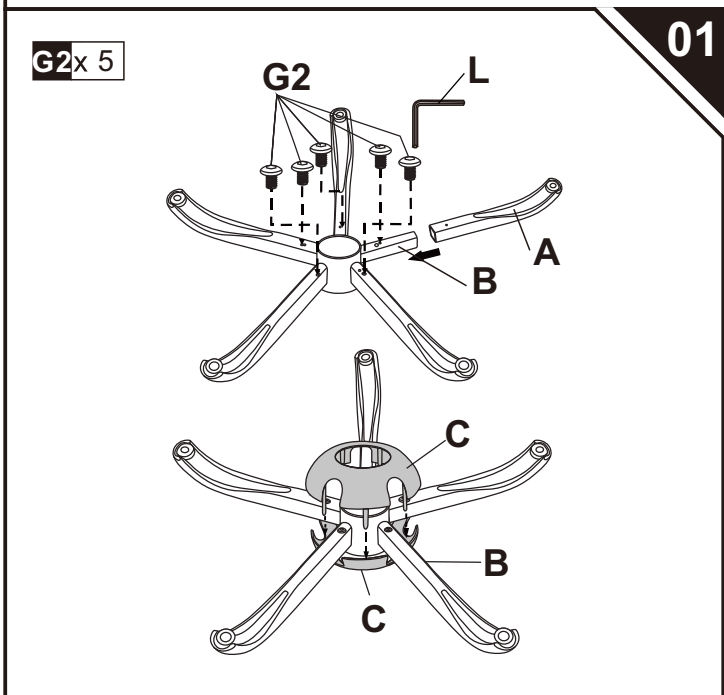
**921-392V80**



READ AND SAVE THIS INSTRUCTION FOR FUTURE USE

**ASSEMBLY INSTRUCTION**

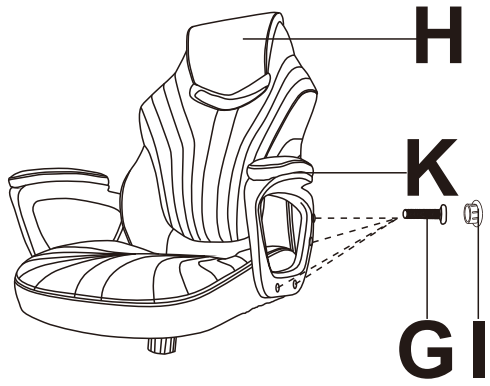
<b>A x 5</b> 	<b>B x 1</b> 	<b>C x 1</b> 	<b>D x 5</b> 	
<b>E x 1</b> 	<b>F x 1</b> 	<b>J x 1</b> 	<b>H x 1</b> 	<b>K x 1</b> 
<b>I x 8</b> 	<b>G x 8</b>  5/16x30mm	<b>G1 x 4</b>  5/16x20mm	<b>G2 x 5</b>  M6x15mm	<b>L x 1</b>  5#



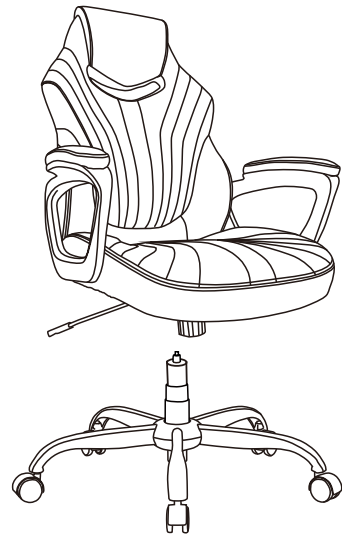
05

**G** x 4

**I** x 4



06



07



US



001-877-644-9366  
customerservice@aosom.com

CA



001-855-537-6088  
customerservice@aosom.ca

UK



0044-800-240-4004  
enquiries@mhstar.co.uk

DE



0049-(0)40-88307530  
service@aosom.de

FR



0033-1-84166106  
contact@aosom.fr

ES



0034-931294512  
atencioncliente@aosom.es

IT



0039-0249471447  
clienti@aosom.it