

READ AND SAVE THIS INSTRUCTIONS FOR FUTURE USE

Tools Recommended

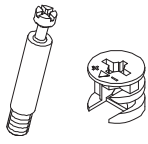



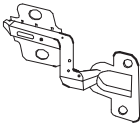
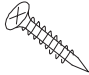
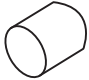
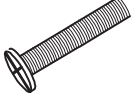
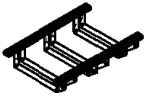
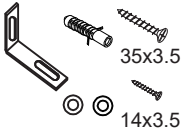
ASSEMBLY & INSTRUCTION MANUAL

PACKING DETAILS: TOTAL 2 BOXES

BOX-1/2

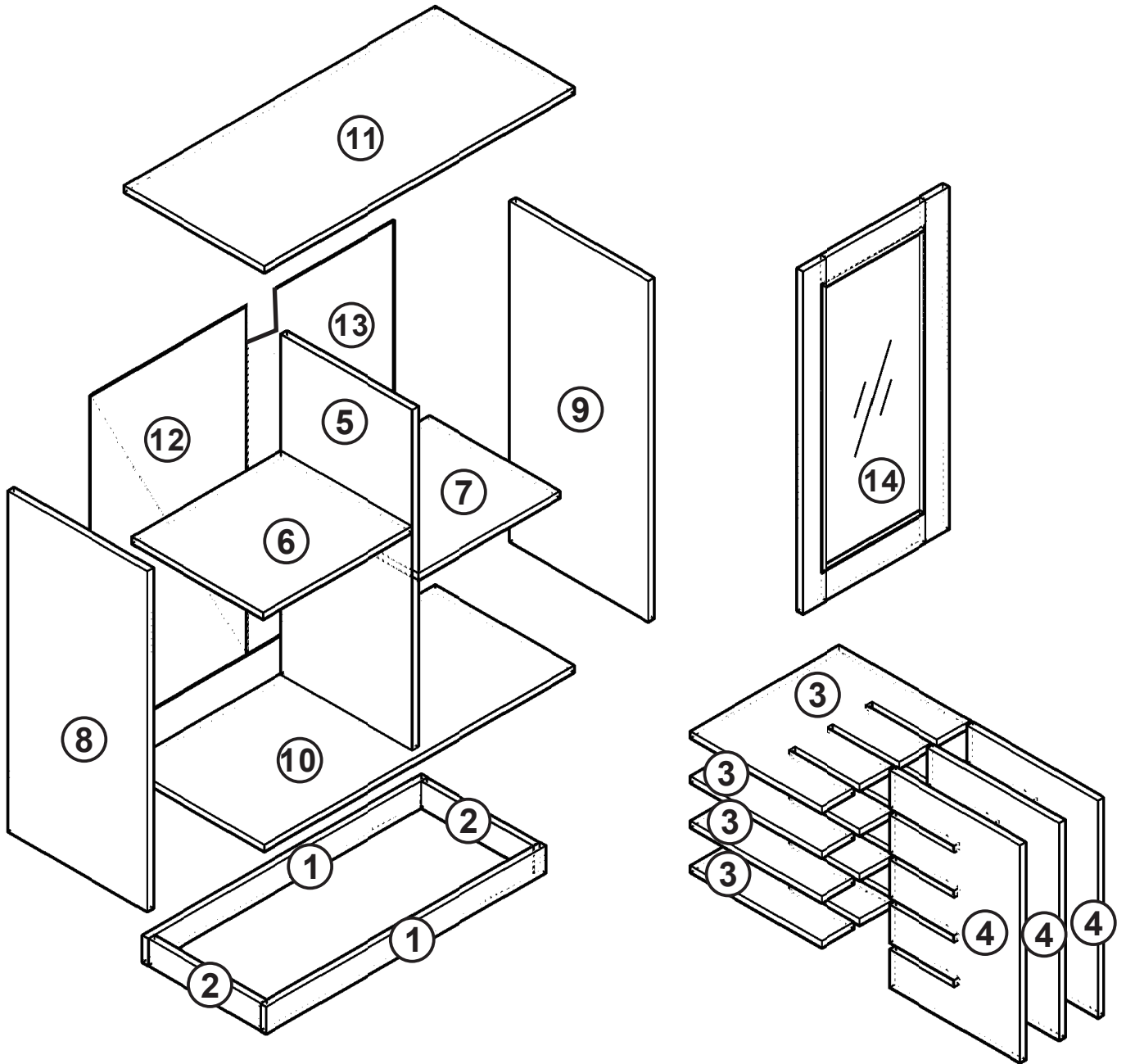
PART NO.	QTY
③	4
⑥	1
⑦	1
⑩	1
⑪	1

BOX-1/2

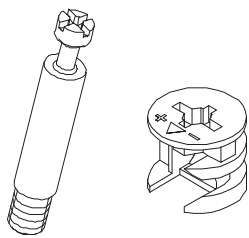
NO.	PARTS	QTY
A		30
B		20
C		40
D		4
E		2
F	 14x3.5mm	16
G		1
H		1
I		1
J	 35x3.5 14x3.5	1

BOX-2/2

PART NO.	QTY
①	2
②	2
④	3
⑤	1
⑧	1
⑨	1
⑫	1
⑬	1
⑭	1



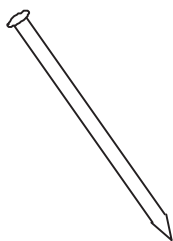
A x30



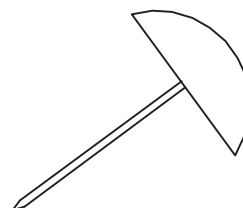
B x20



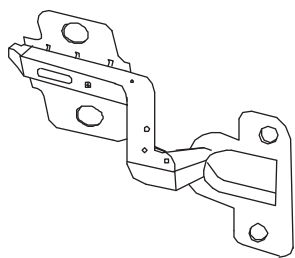
C x40



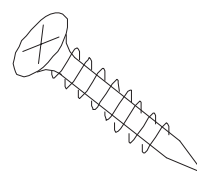
D x 4



E x2

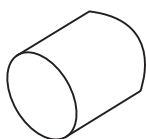


F x16

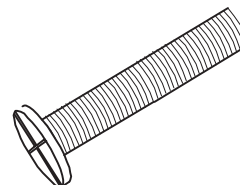


14x3.5mm

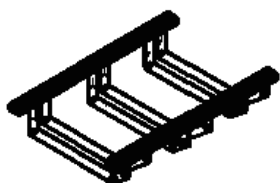
G x1



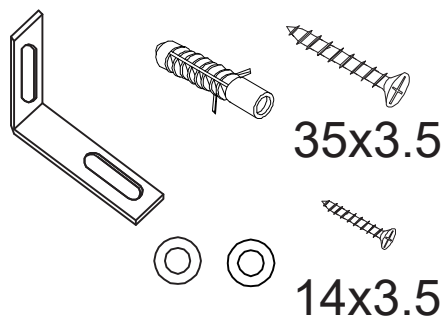
H x1



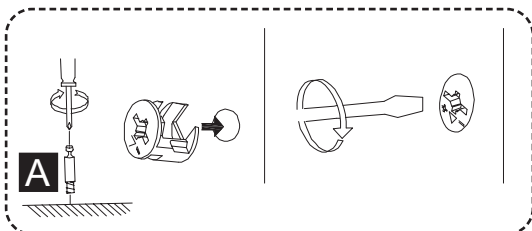
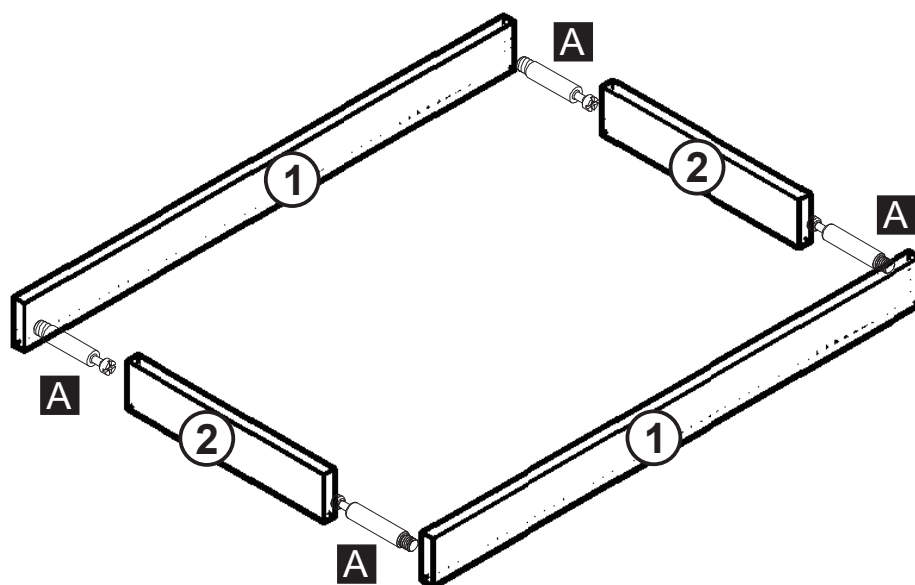
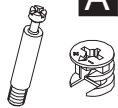
I x1



J x1



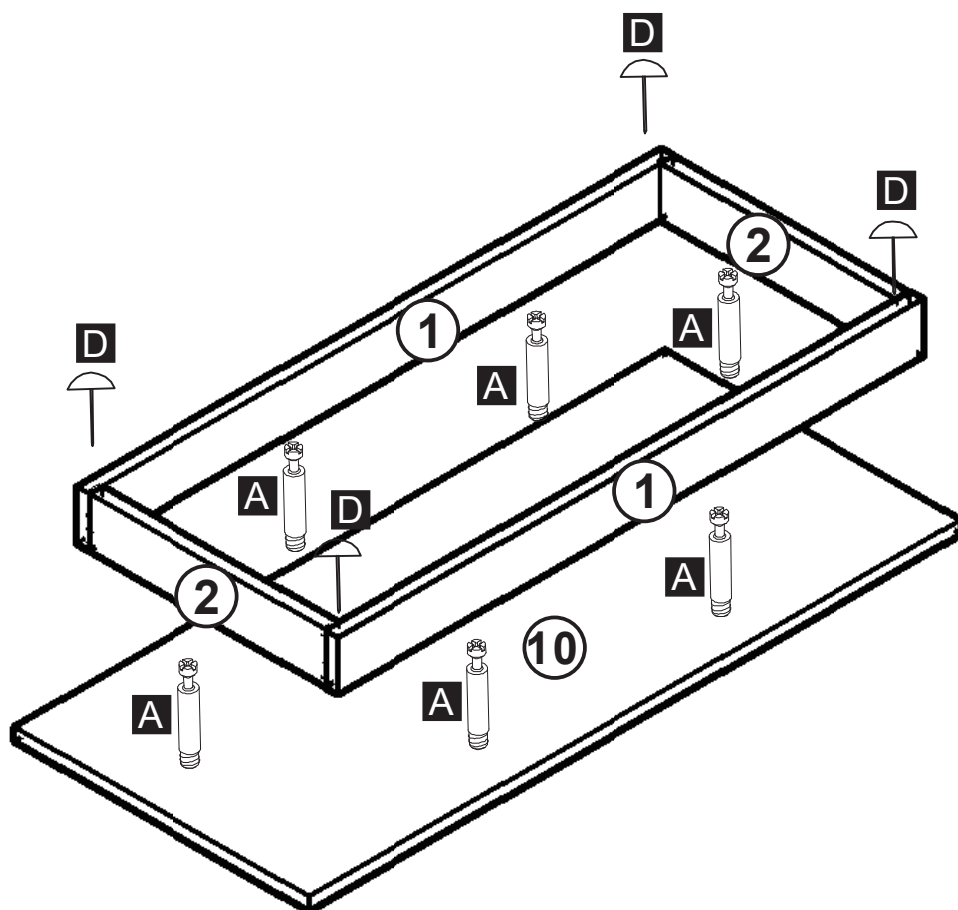
A x 4



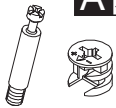
A x 6



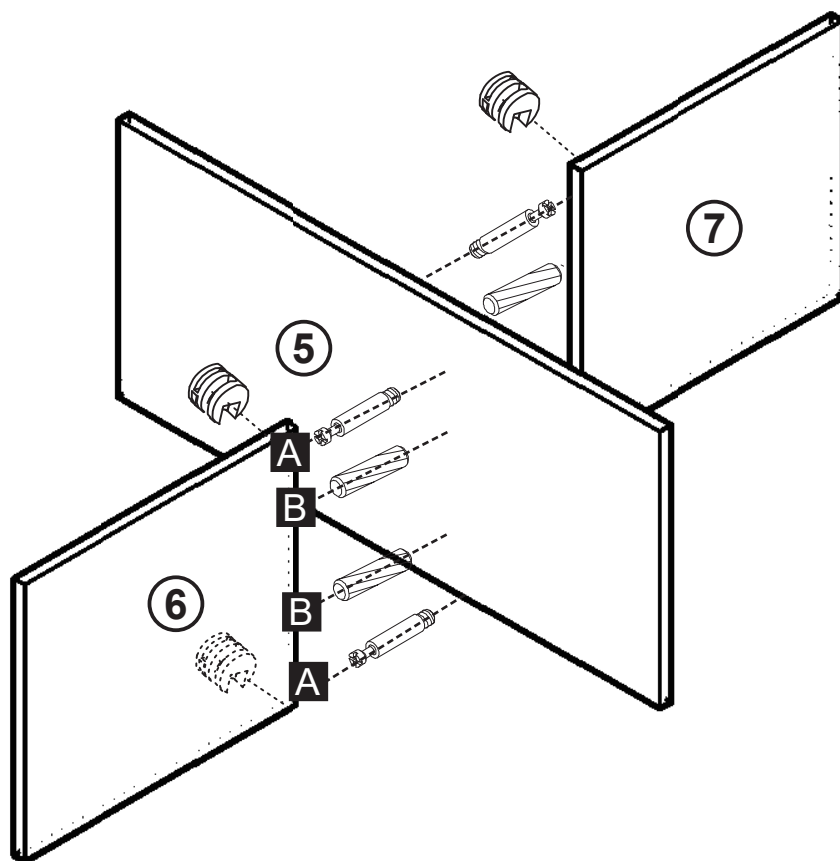
D x 4



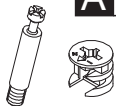
A x4



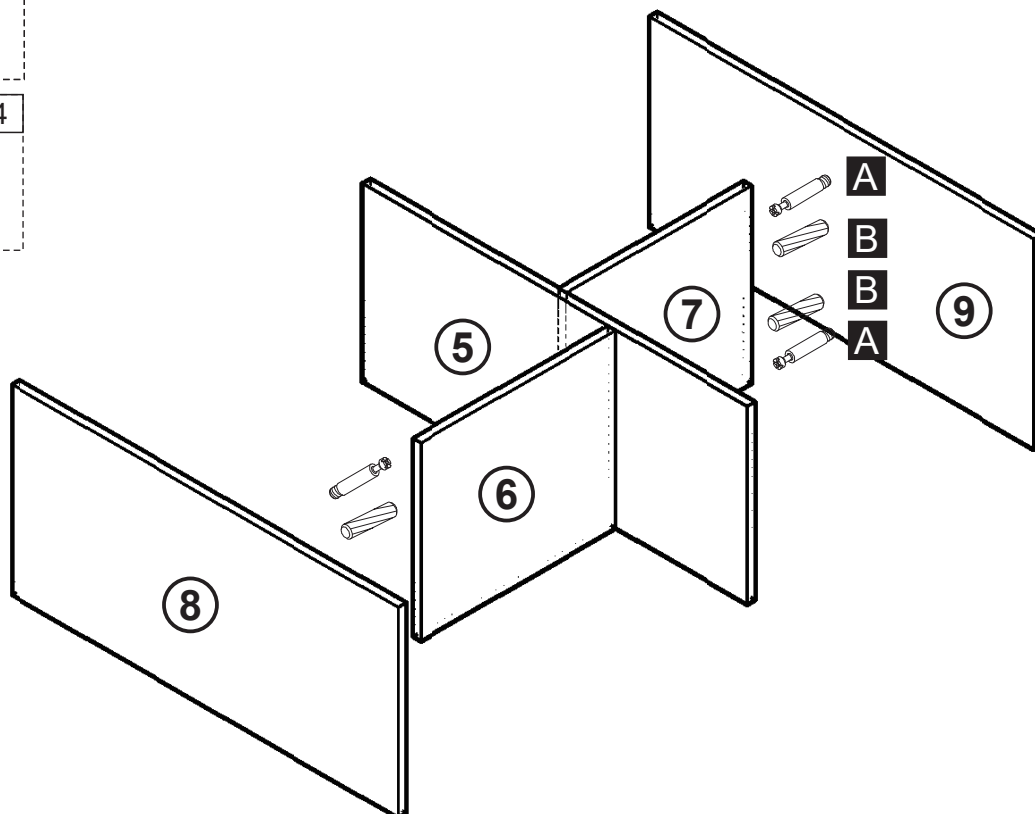
B x4

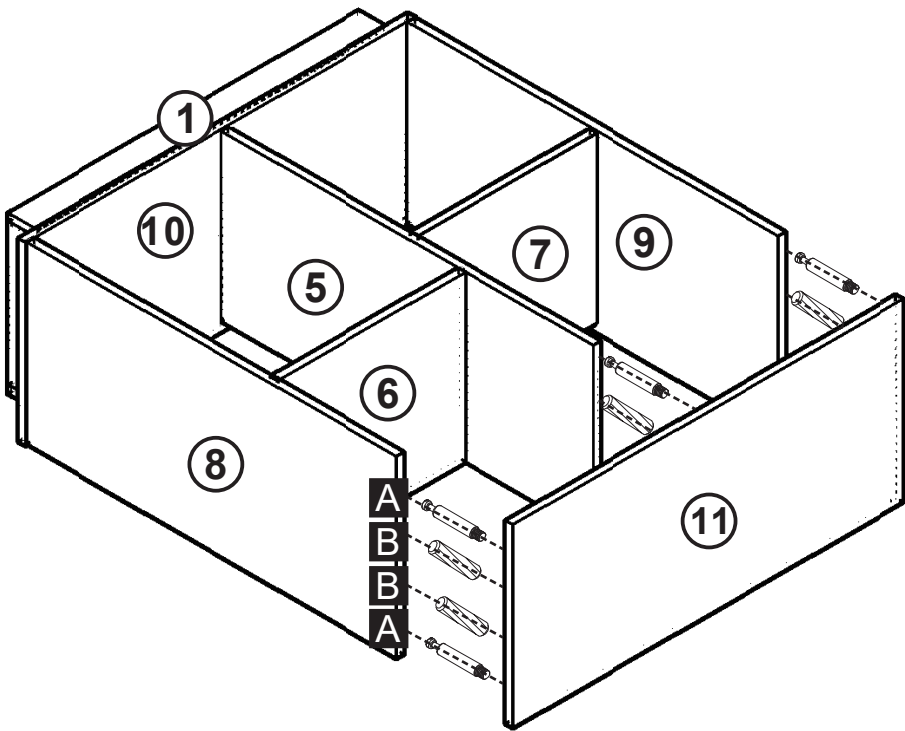
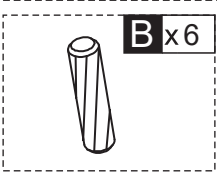
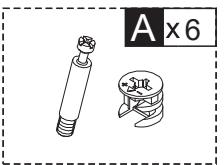
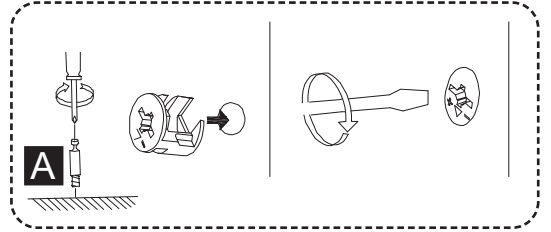
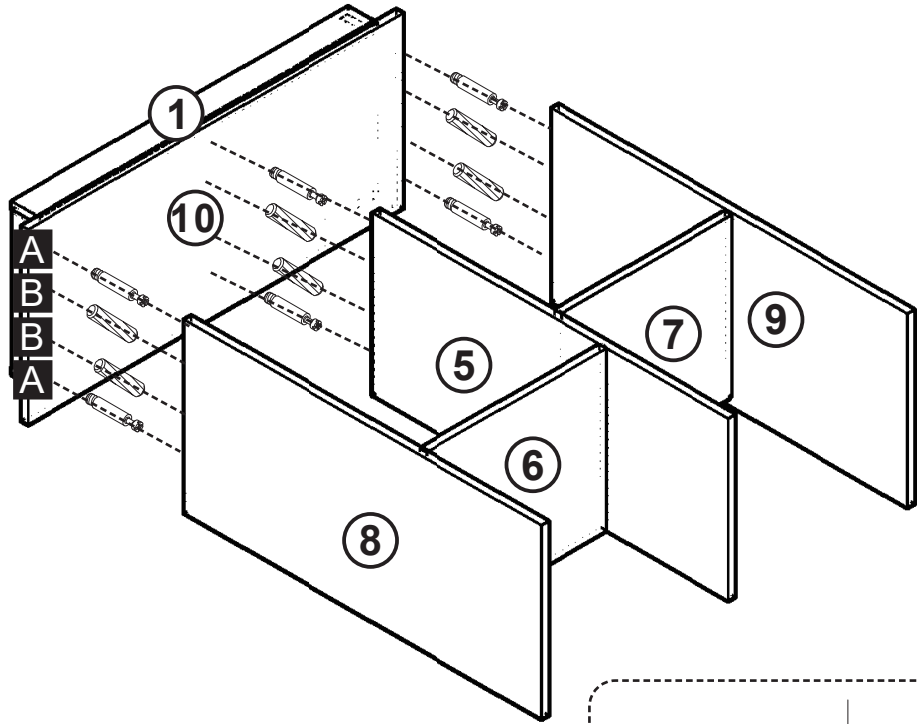
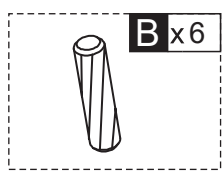
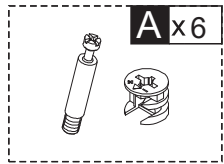


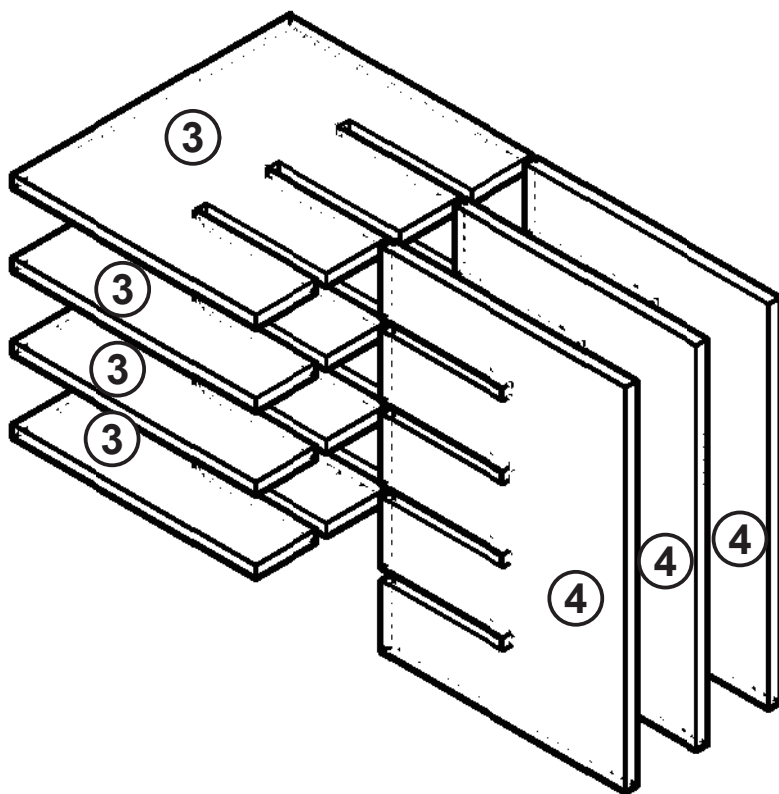
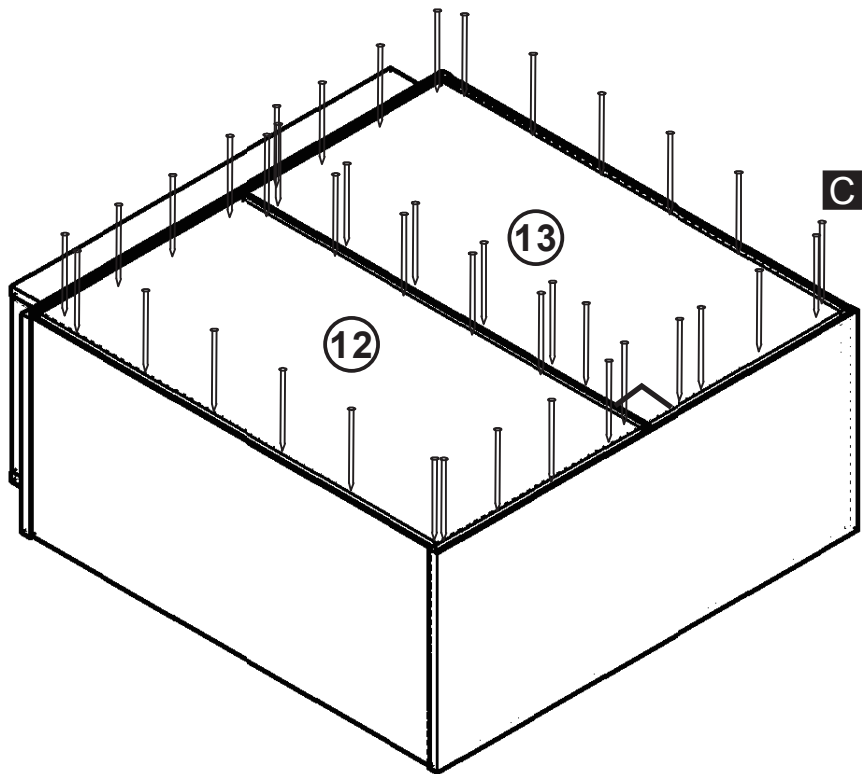
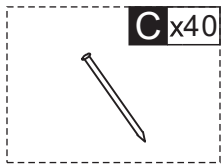
A x4

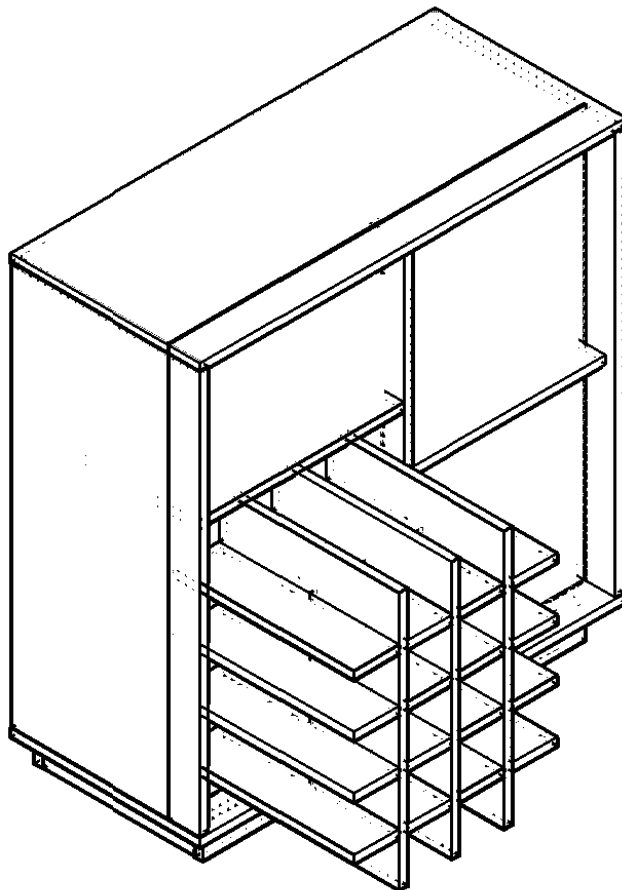


B x4







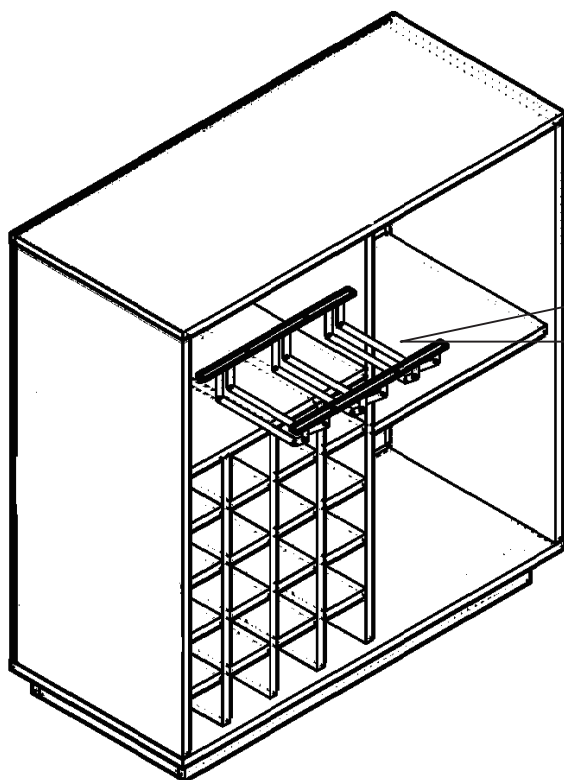
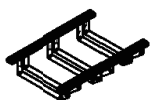


F x12



14*3.5mm

I x 1

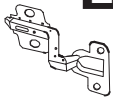


I

F

11

E x2

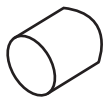


F x12

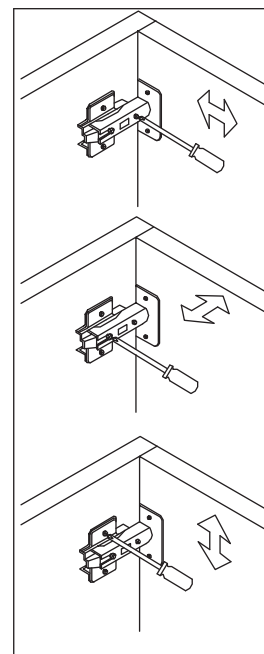
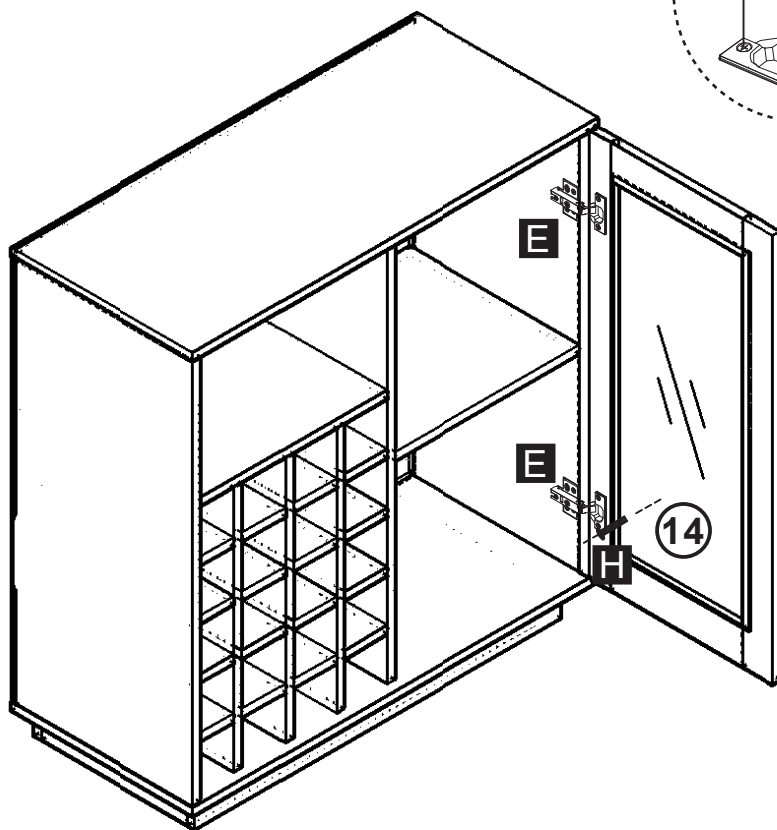
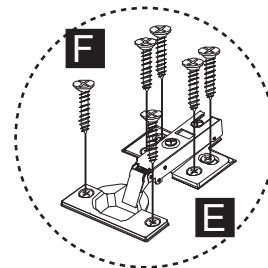
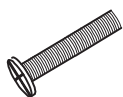


14*3.5mm

G x1

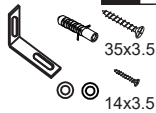


H x1



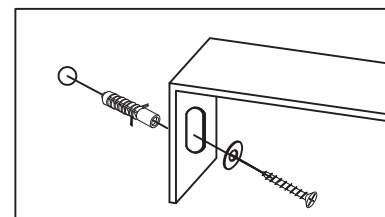
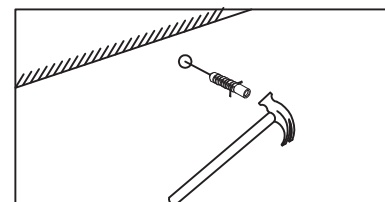
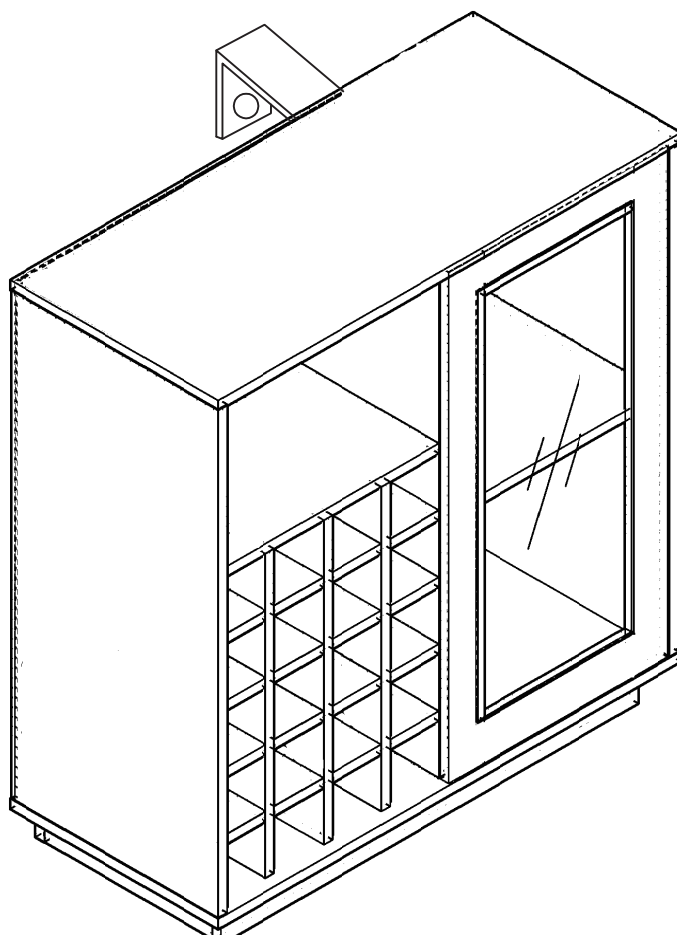
12

J x1



35x3.5

14x3.5



Done

US



001-877-644-9366
customerservice@aosom.com

CA



001-855-537-6088
customerservice@aosom.ca

UK



0044-800-240-4004
enquiries@mhstar.co.uk

DE



0049-(0)40-88307530
service@aosom.de

FR



0033-1-84166106
contact@aosom.fr

ES



0034-931294512
atencioncliente@aosom.es

IT



0039-0249471447
clienti@aosom.it