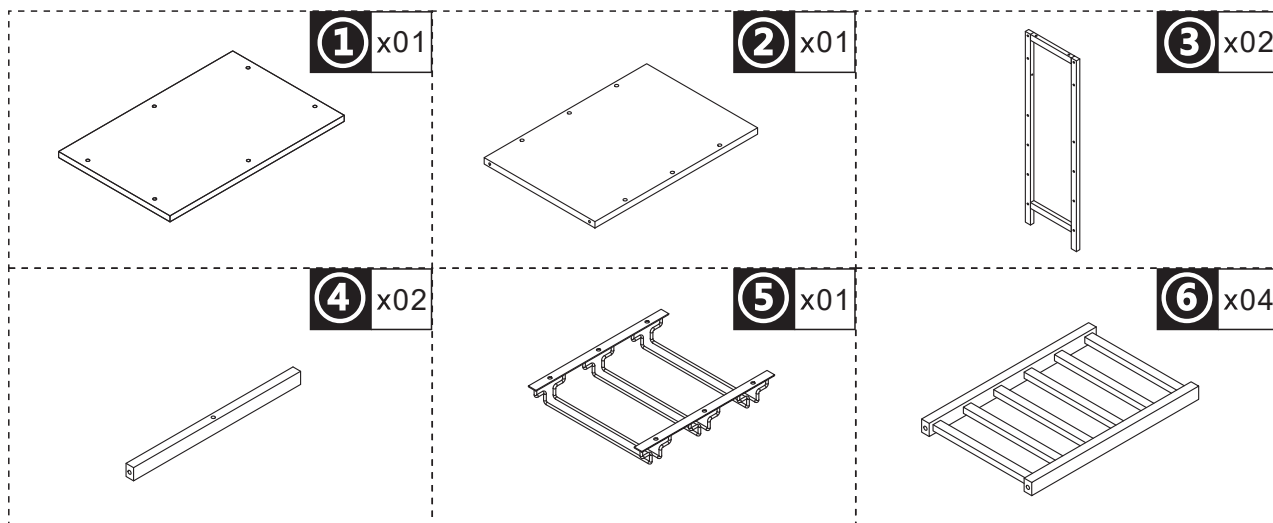


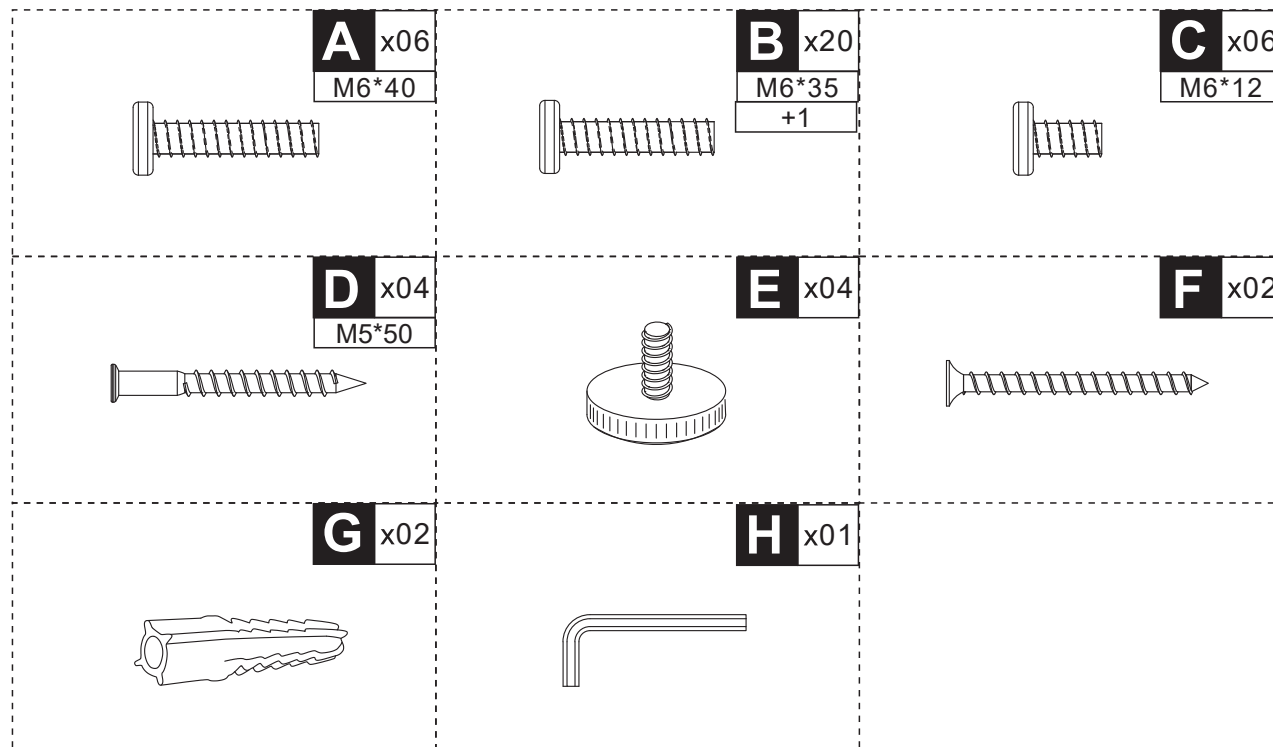
IMPORTANT, RETAIN FOR FUTURE REFERENCE: READ CAREFULLY

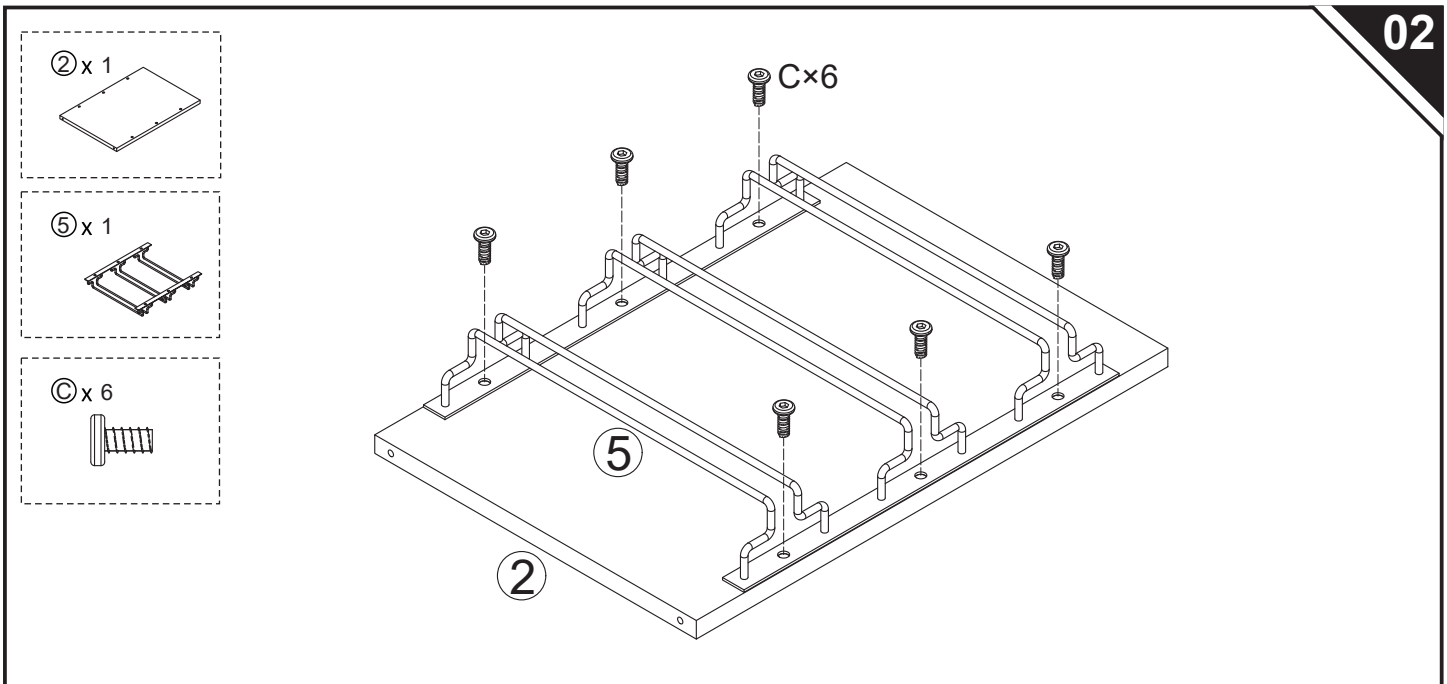
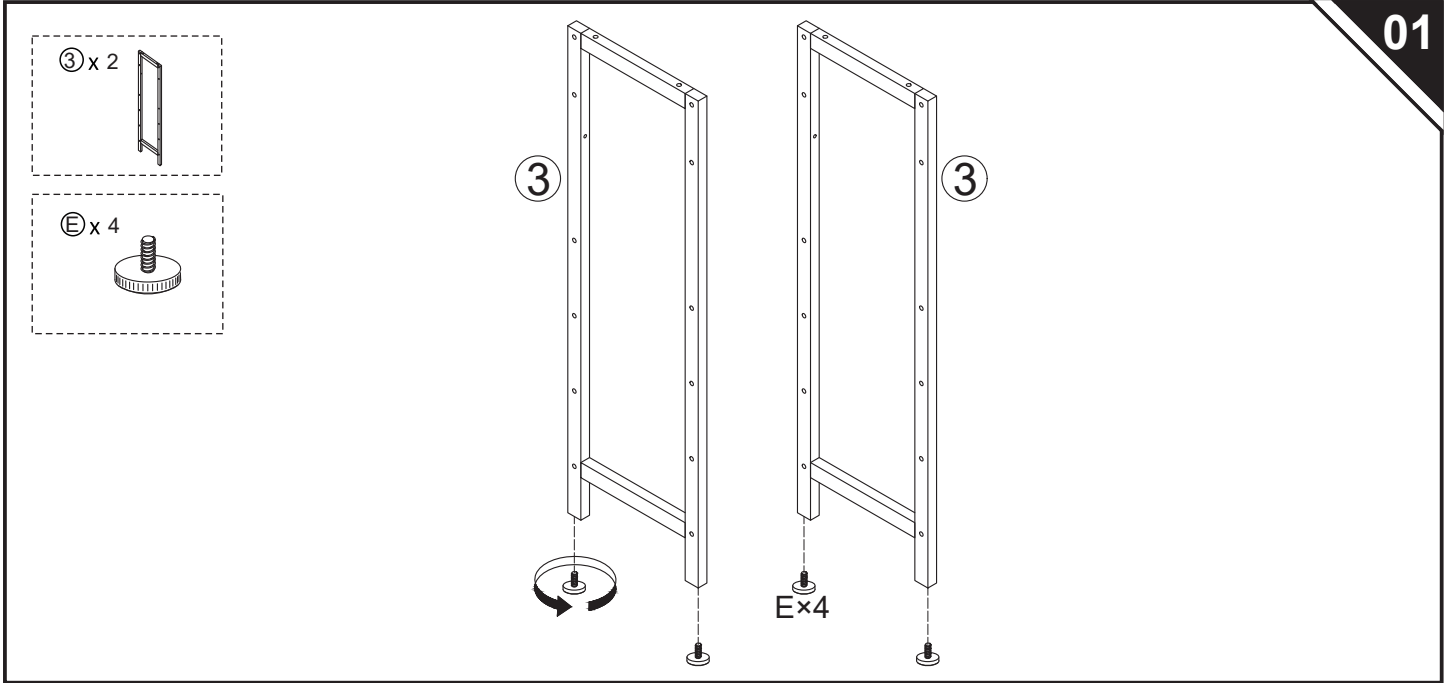
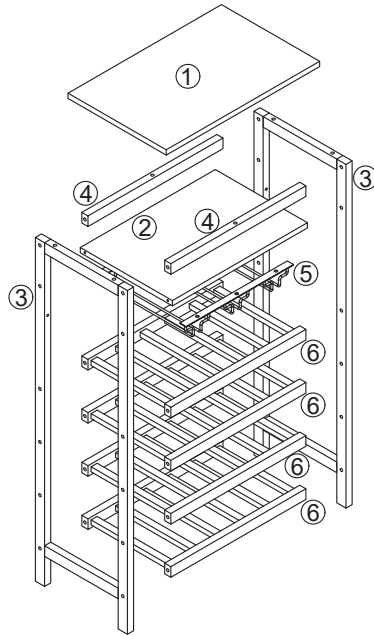
ASSEMBLY & INSTRUCTION MANUAL

PARTS

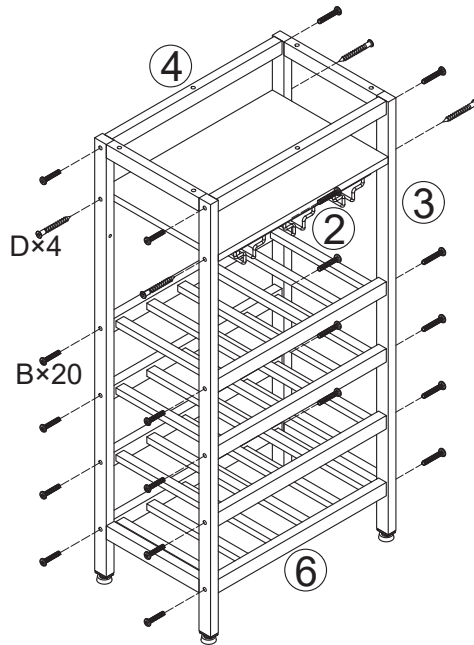
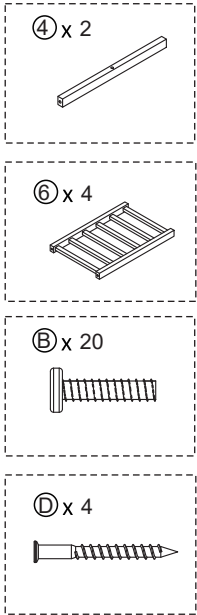


HARDWARE

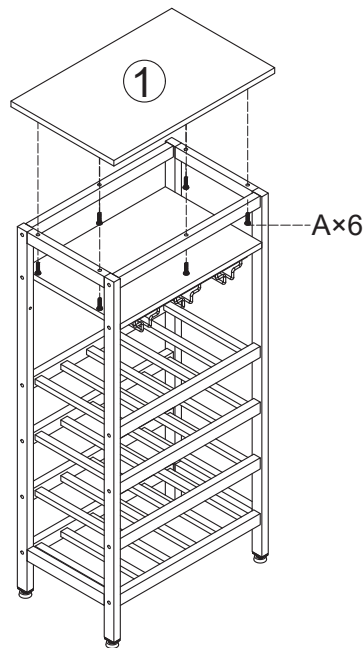
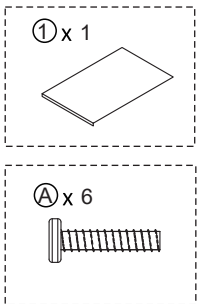




03



04



Done

