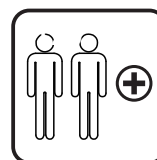
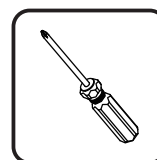




INcca102_US_CA

801-291V00



Tools Recommended

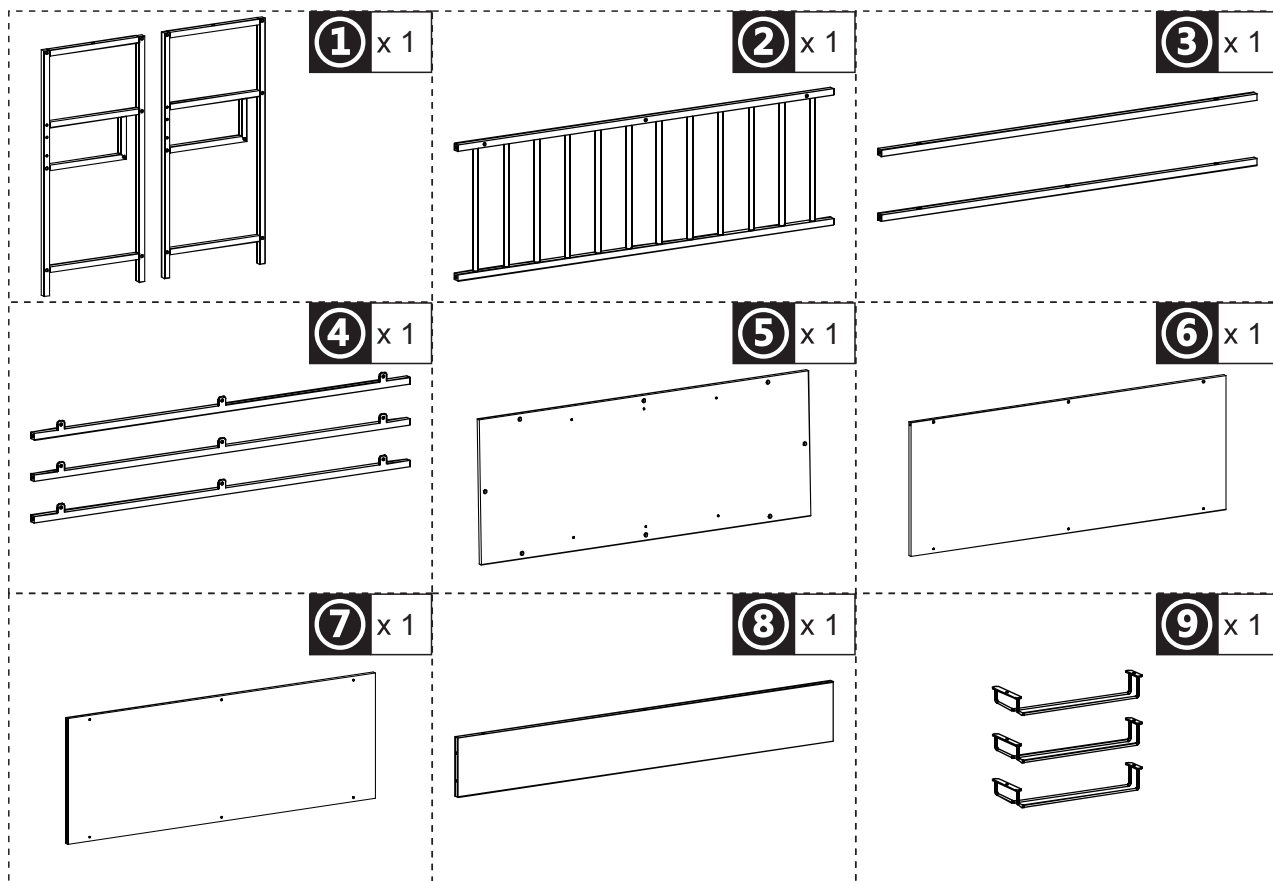
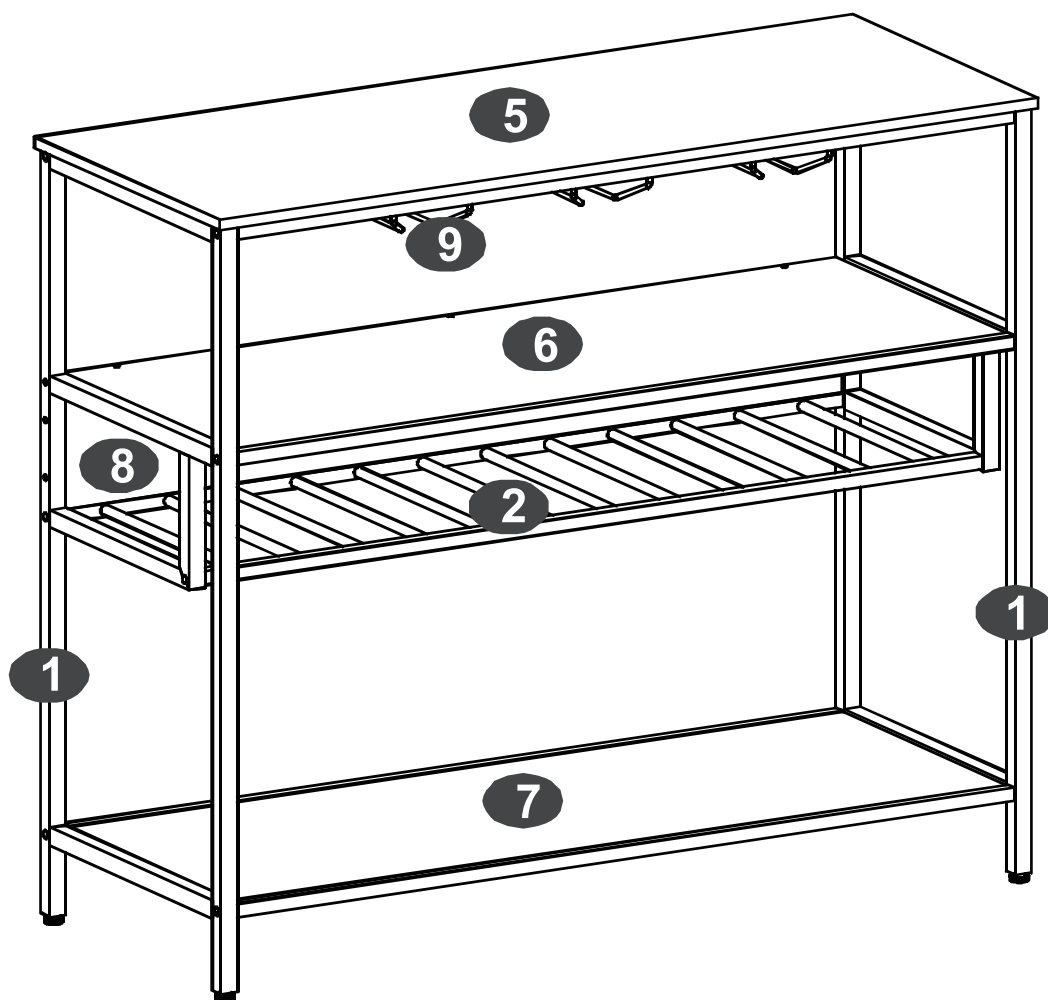
EN_IMPORTANT, RETAIN FOR FUTURE REFERENCE: READ CAREFULLY.

FR_IMPORTANT: A LIRE ATTENTIVEMENT ET À CONSERVER POUR CONSULTATION ULTÉRIEURE.

ES_IMPORTANTE, LEA Y GUARDE PARA FUTURAS REFERENCIAS.

DE_WICHTIG! SORGFÄLTIG LESEN UND FÜR SPÄTER NACHSCHLAGEN AUFBEWAHREN.

IT_IMPORTANTE! CONSERVARE IL PRESENTE MANUALE PER FUTURO RIFERIMENTO E LEGGERLO ATTENTAMENTE.



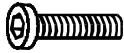
A x14
M6*35
+1(spare)



B x 2
M6*28



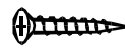
C x 6
M6*23
+1(spare)



D x12
M5*40
+1(spare)



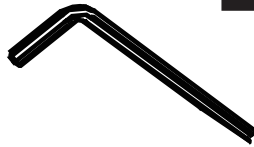
E x15
M4*12
+1(spare)



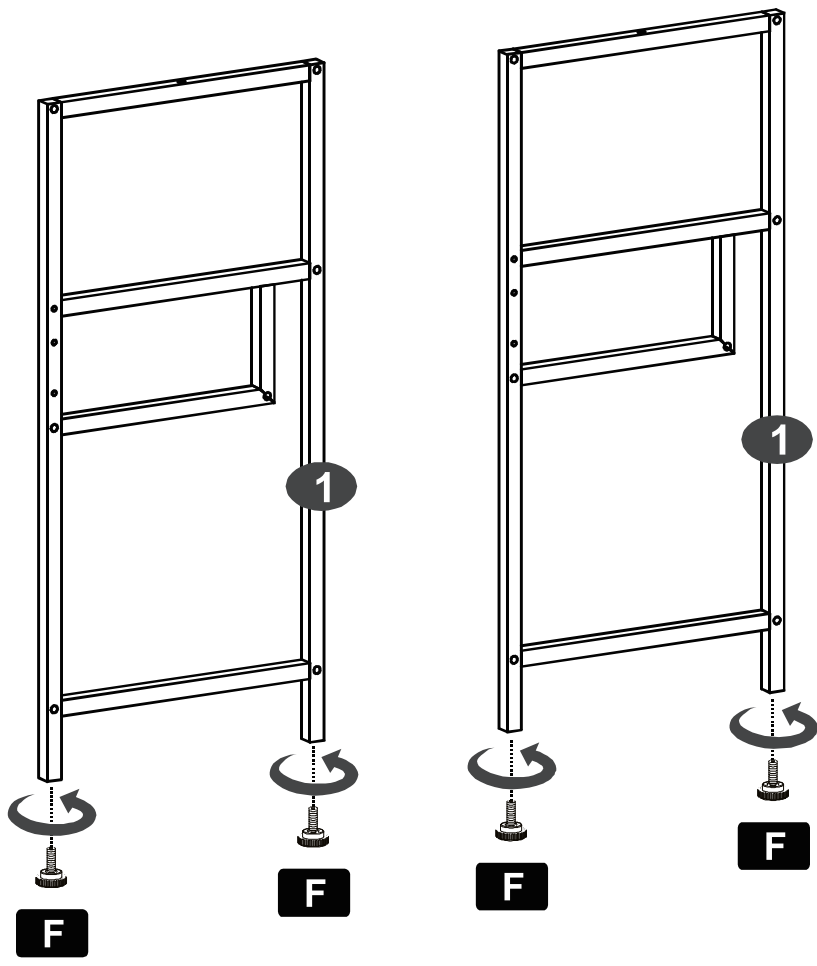
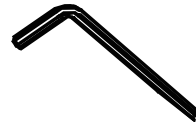
F x 4



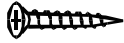
G x 1



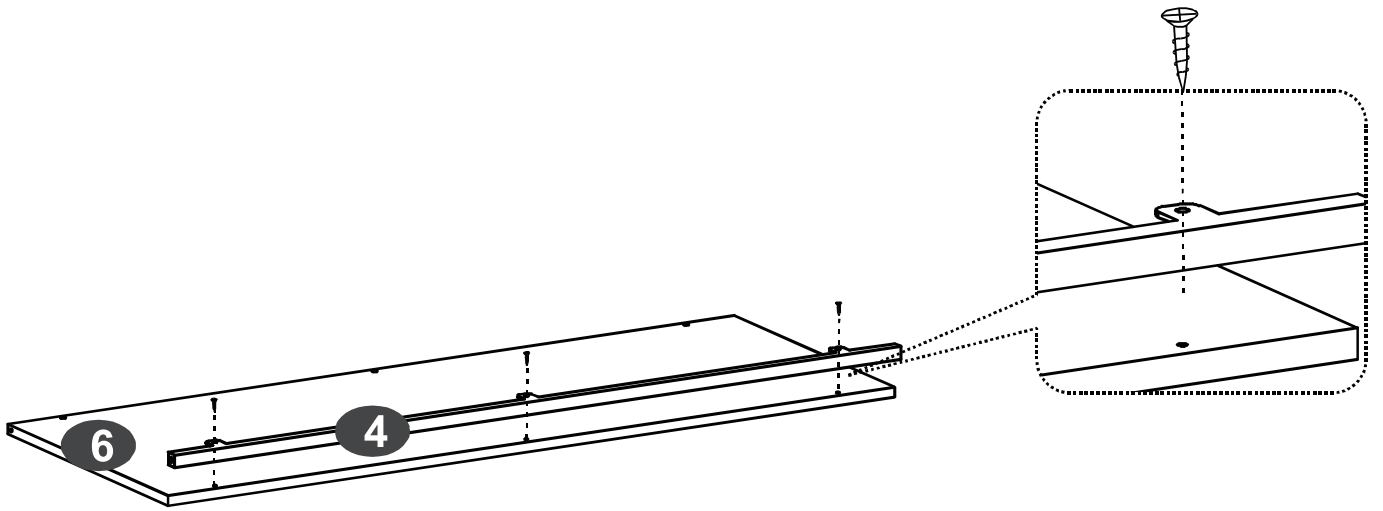
H x 1



E x 3
M4*12



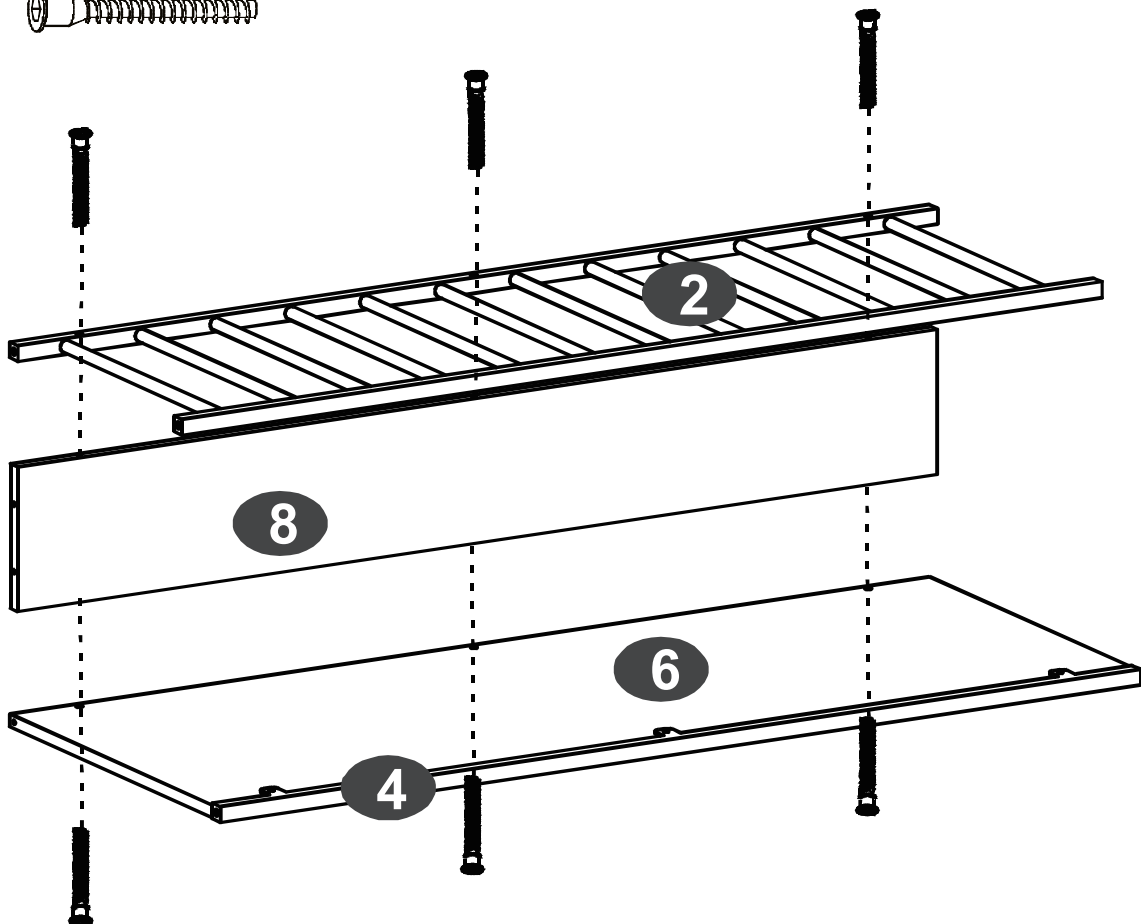
02



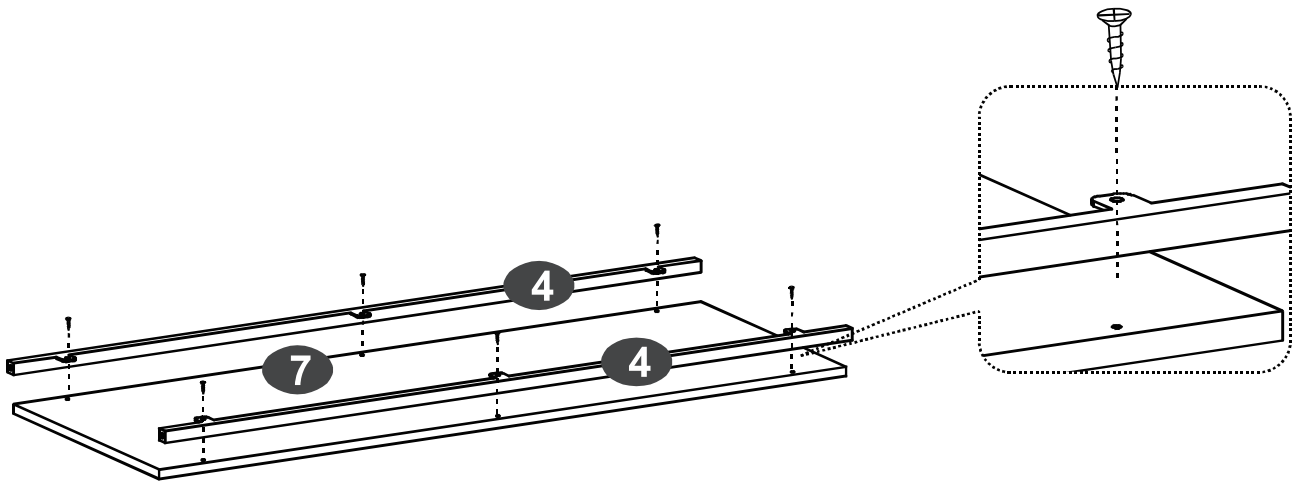
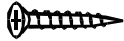
D x 6
M5*40



03



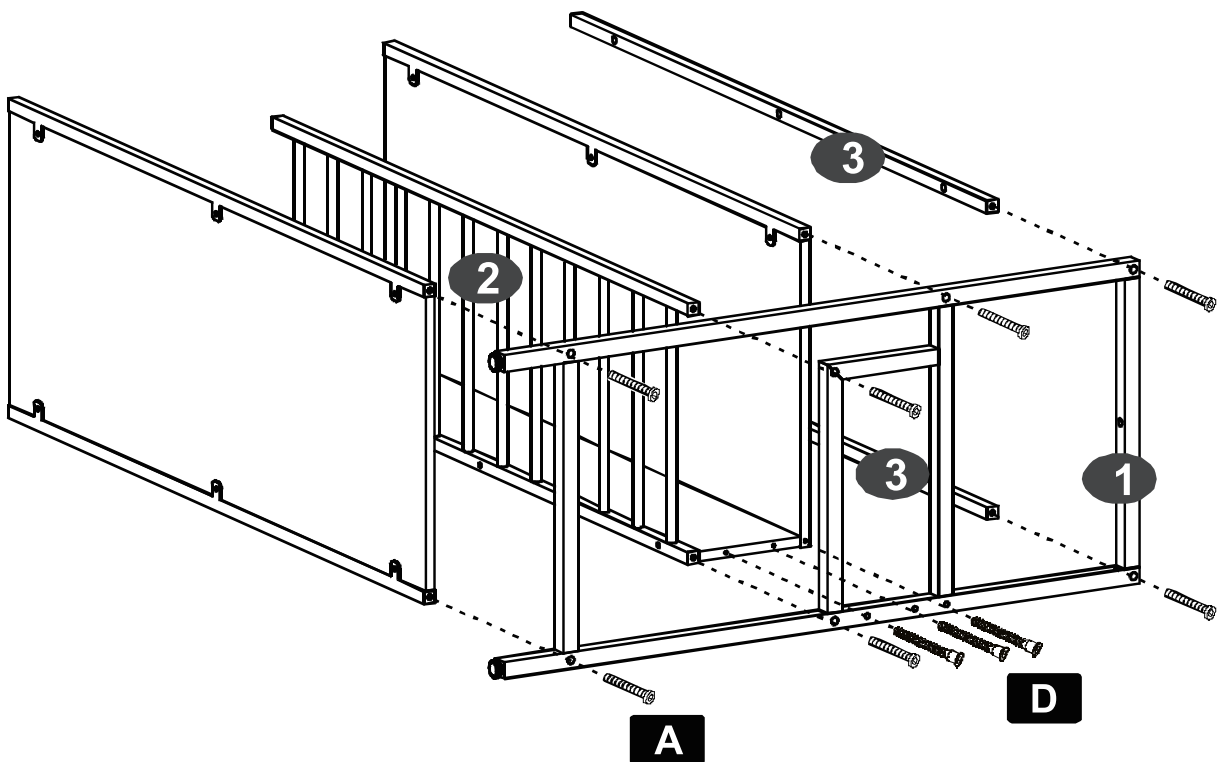
E x 6
M4*12



A x 7
M6*35



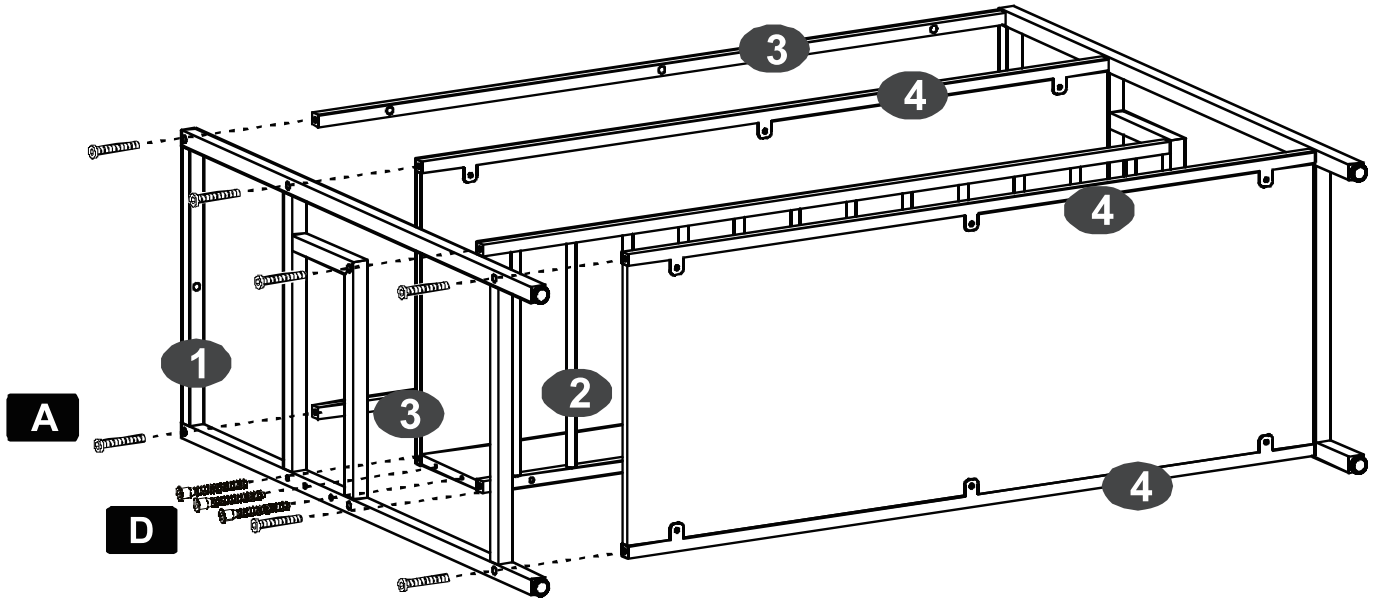
D x 3
M5*40



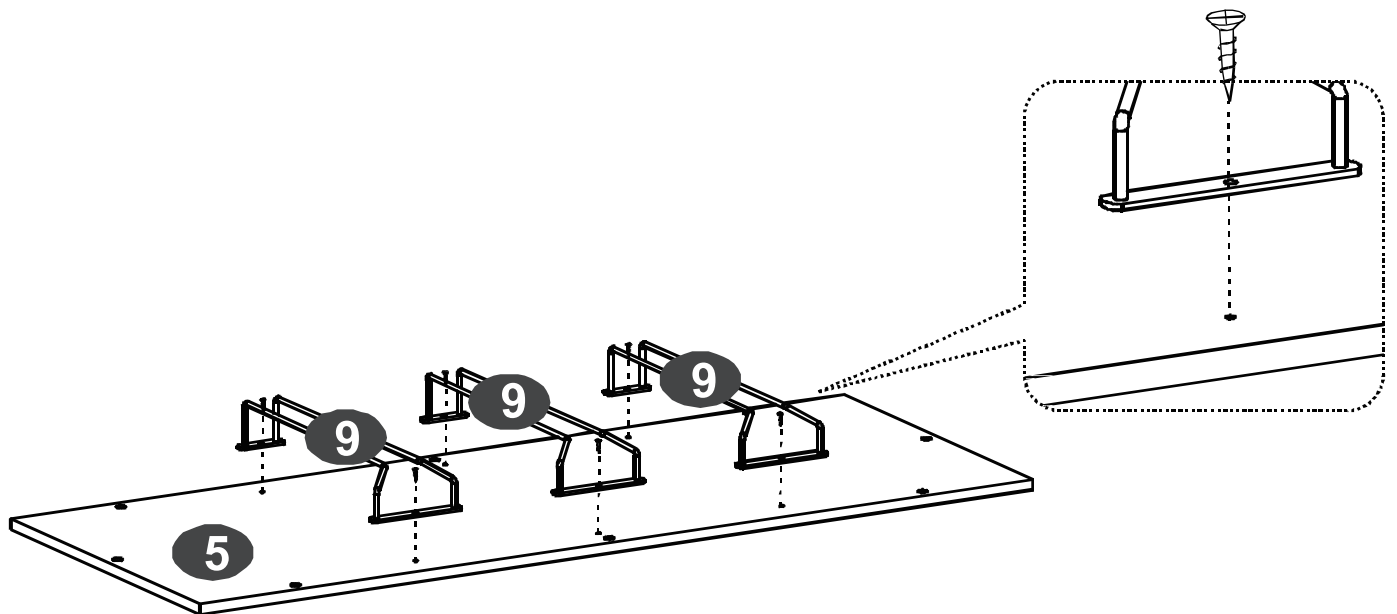
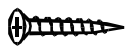
A x 7
M6*35



D x 3
M5*40



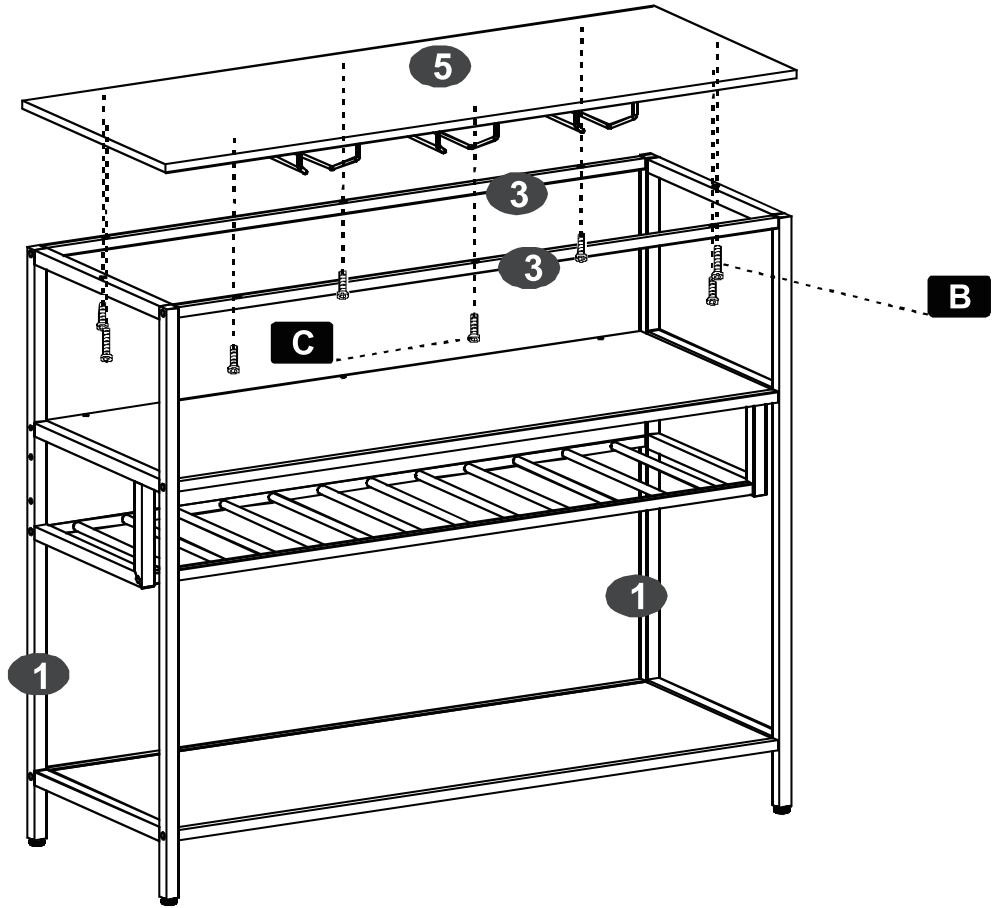
E x 6
M4*12



B x 2
M6*28



C x 6
M6*23



KEEP BALANCED

