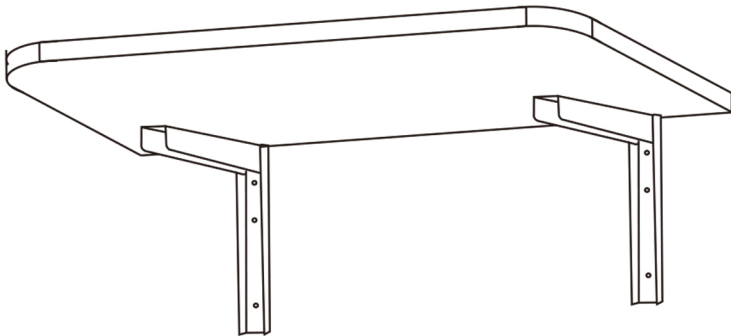


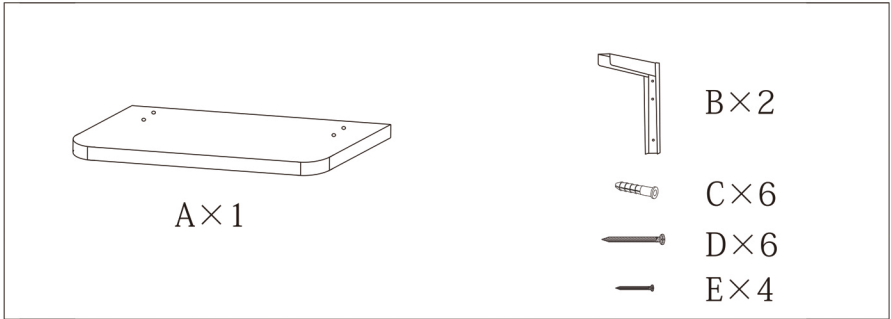
833-179



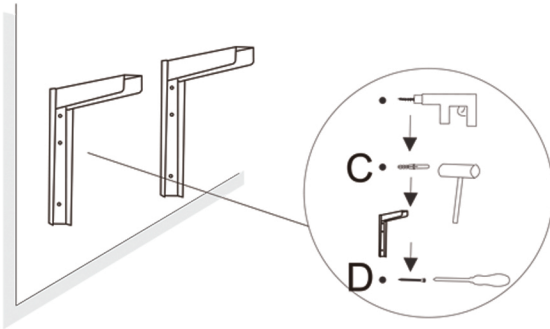
Please read these instructions and warranty information carefully before use and keep them properly for future reference.

OPERATING INSTRUCTIONS

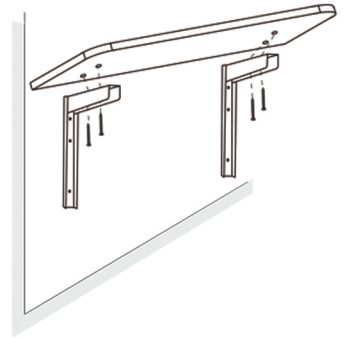
Assembly Instructions



①



②



③

