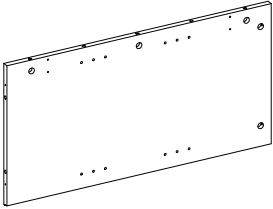
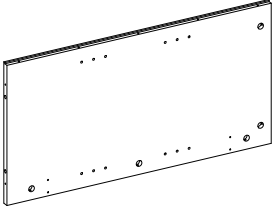
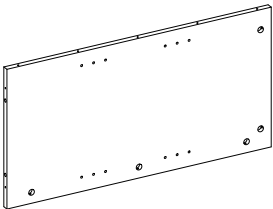
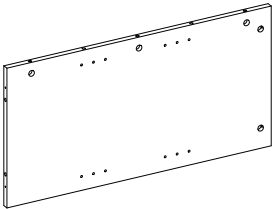
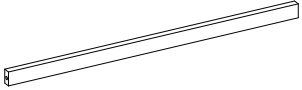
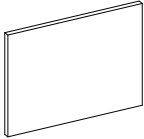
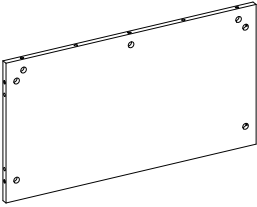
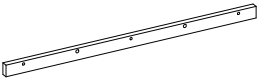
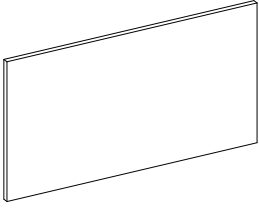
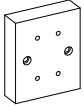
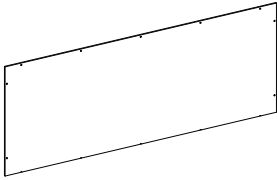
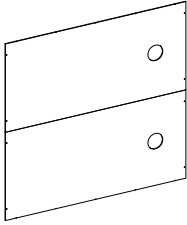


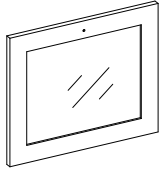


READ AND SAVE THIS INSTRUCTIONS FOR FUTURE USE

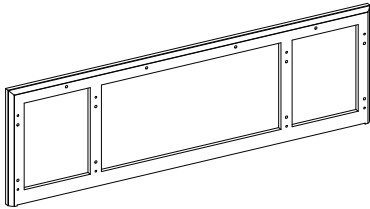
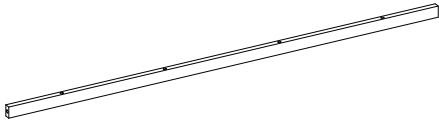
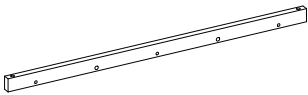
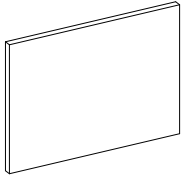
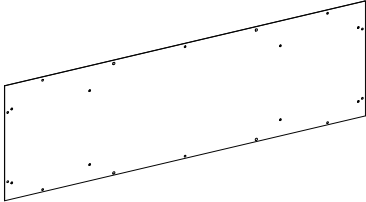
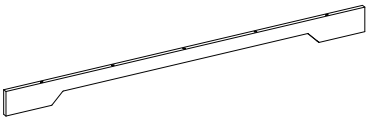
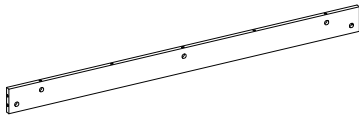
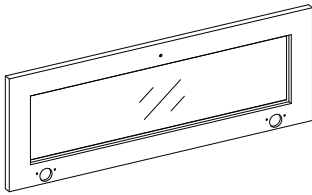
ASSEMBLY & INSTRUCTION MANUAL

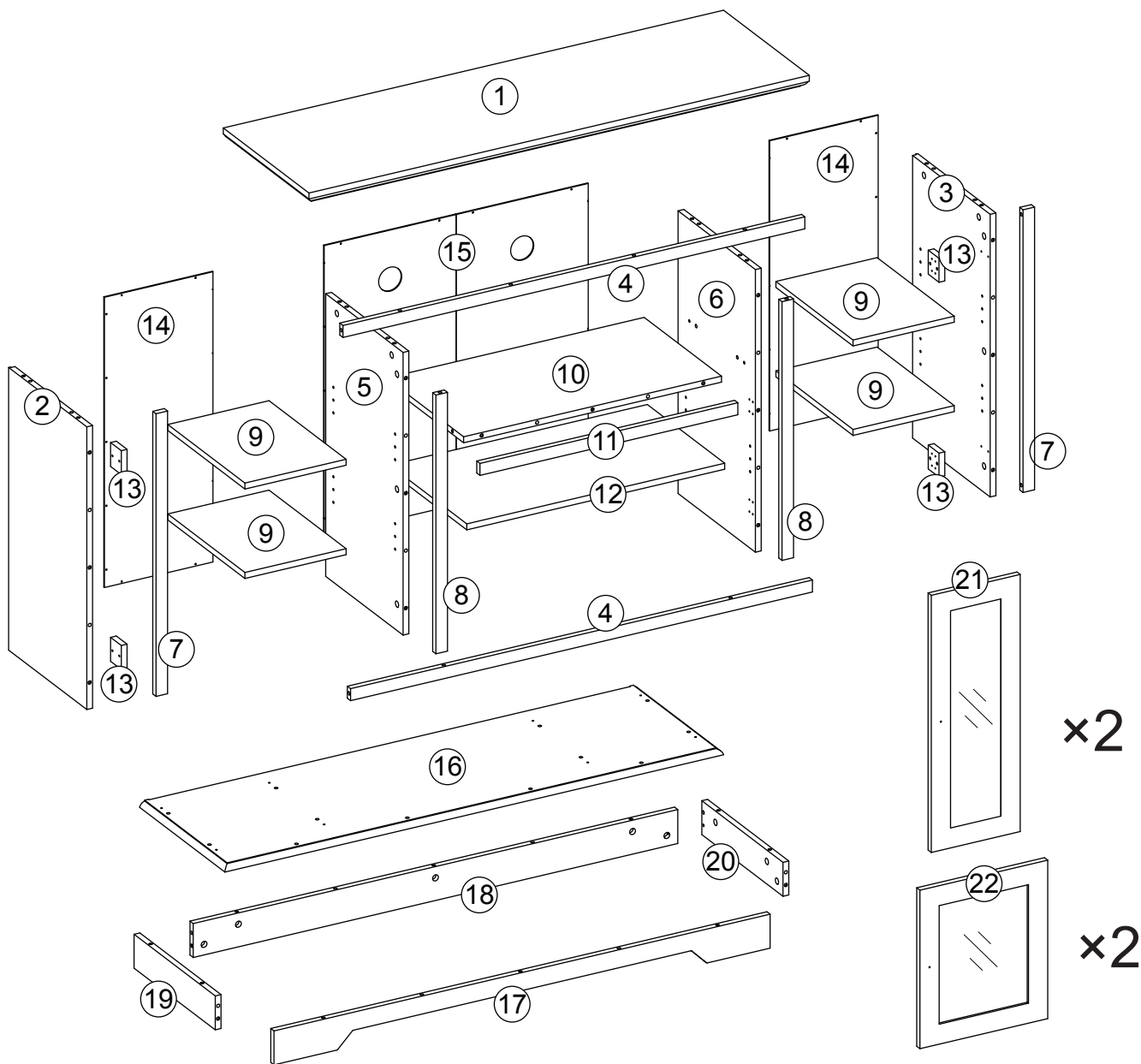
BOX-1/2

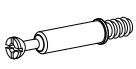

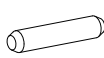
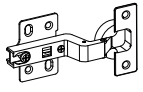
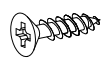


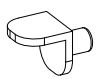

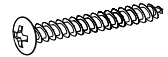






NO.	PARTS	QTY
2		1
3		1
5		1
6		1
8		2
9		2
10		1
11		1

NO.	PARTS	QTY
12		1
13		4
14		2
15		1
19		1
20		1
22		2

BOX-2/2

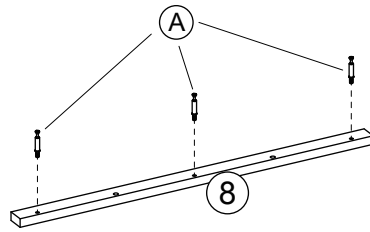
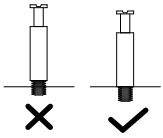
NO.	PARTS	QTY
1		1
4		2
7		2
9		2
16		1
17		1
18		1
21		2



A x41	B x41	C x54	D x 8	E x48	F x 4	G x 4
						
		M8*30mm;	M4*30mm;	M4*14mm;		M4*18mm;
H x20	I x40	J x 8	K x 2	L x 8	M x 2	N x 2
						
	M2.5*10mm;	M4*40mm;	M4*30mm;	M4*25mm;	M4*14mm;	
O x2	P x4					
						

01

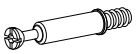
A x 6



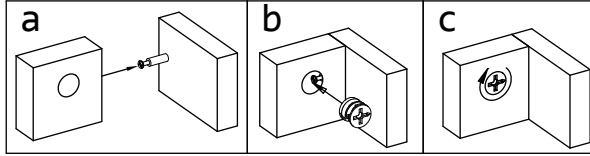
x2

02

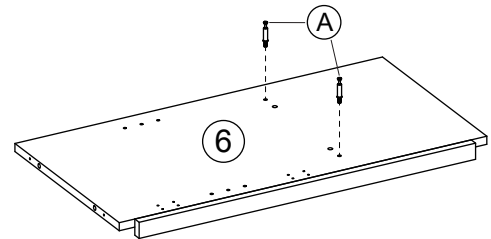
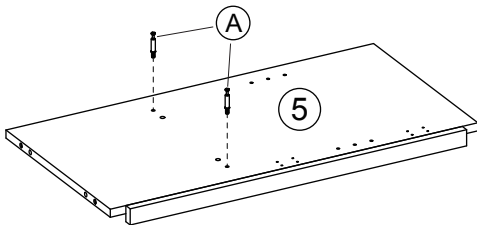
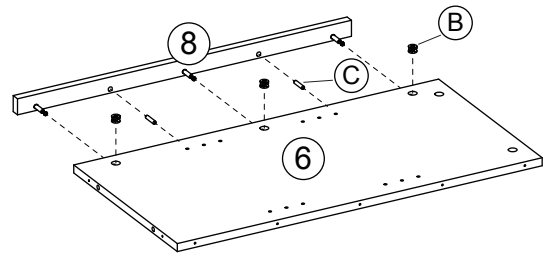
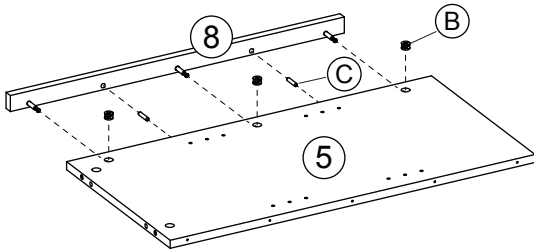
A x 4



B x 6

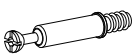


C x 4



03

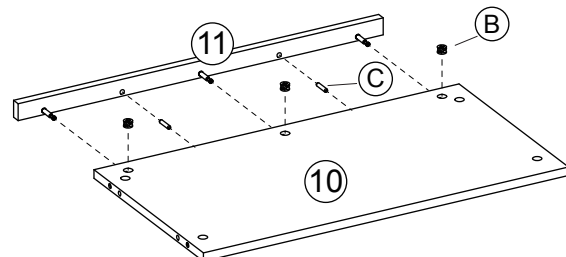
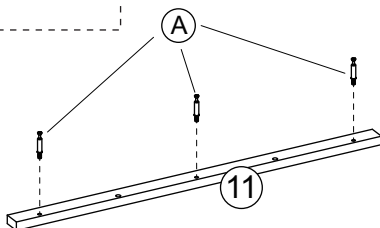
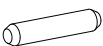
A x 3



B x 3



C x 2

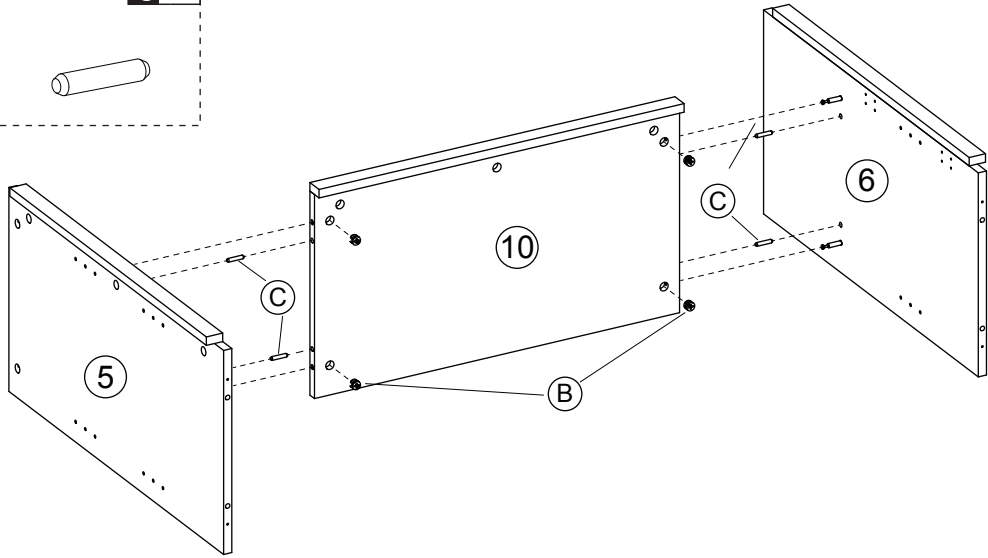


Done

04

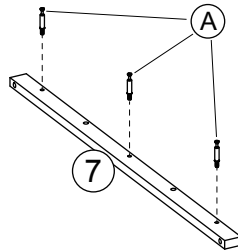
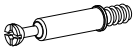
B x 4

C x 4



05

A x 6

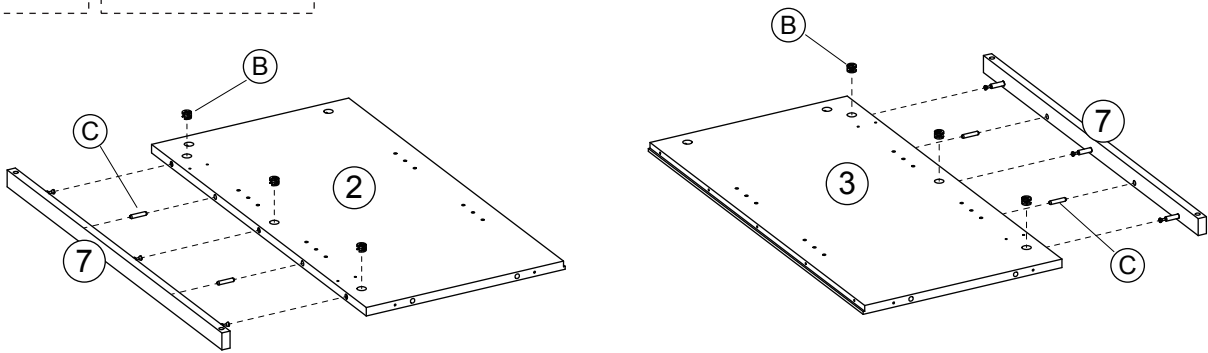
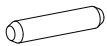


x2

06

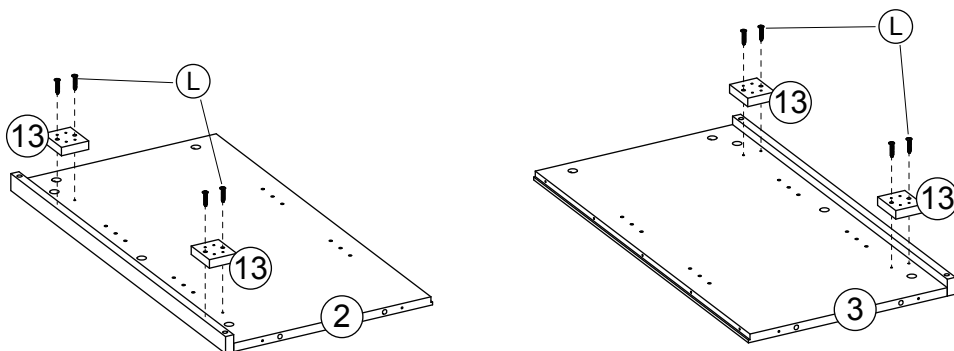
B x 6

C x 4



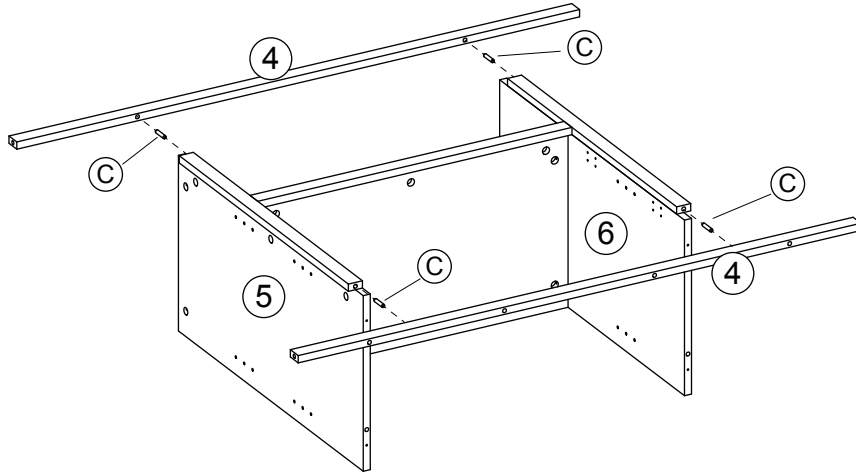
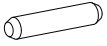
07

L x 8

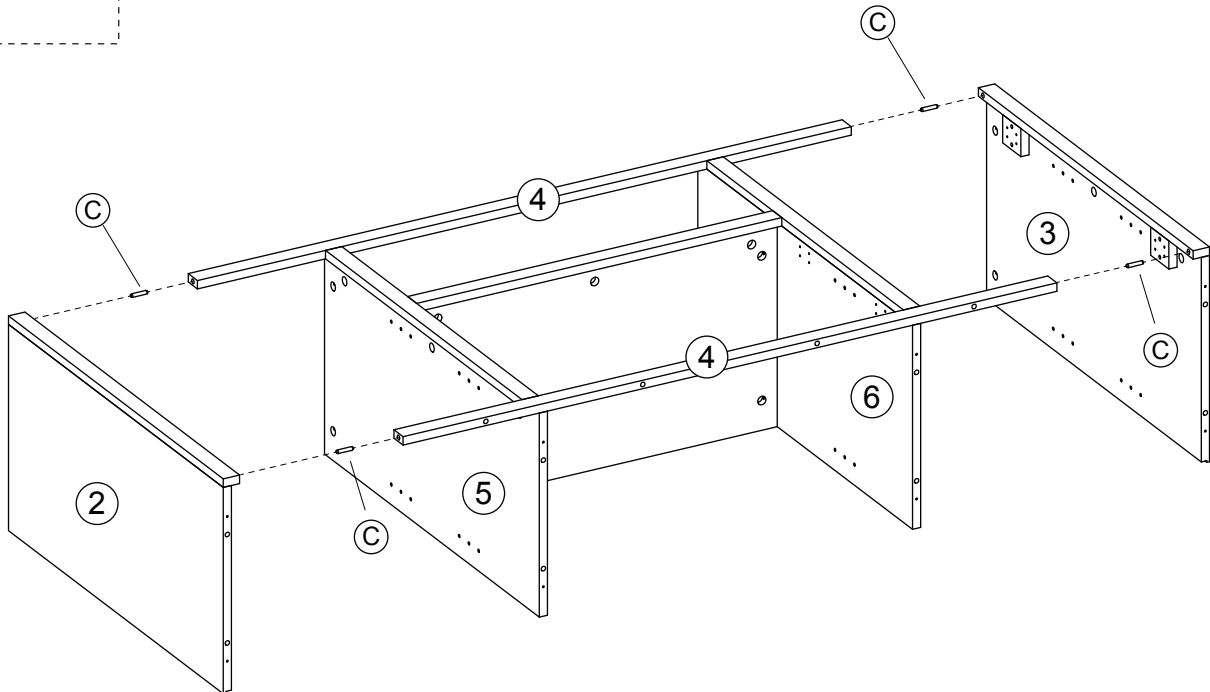
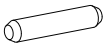


Done

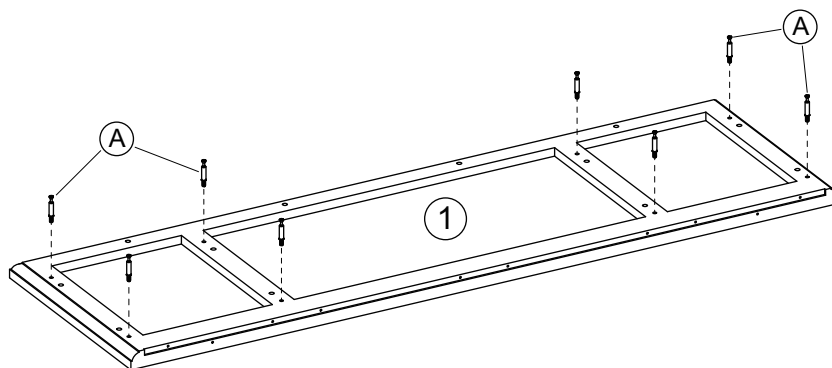
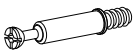
C x 4



C x 4



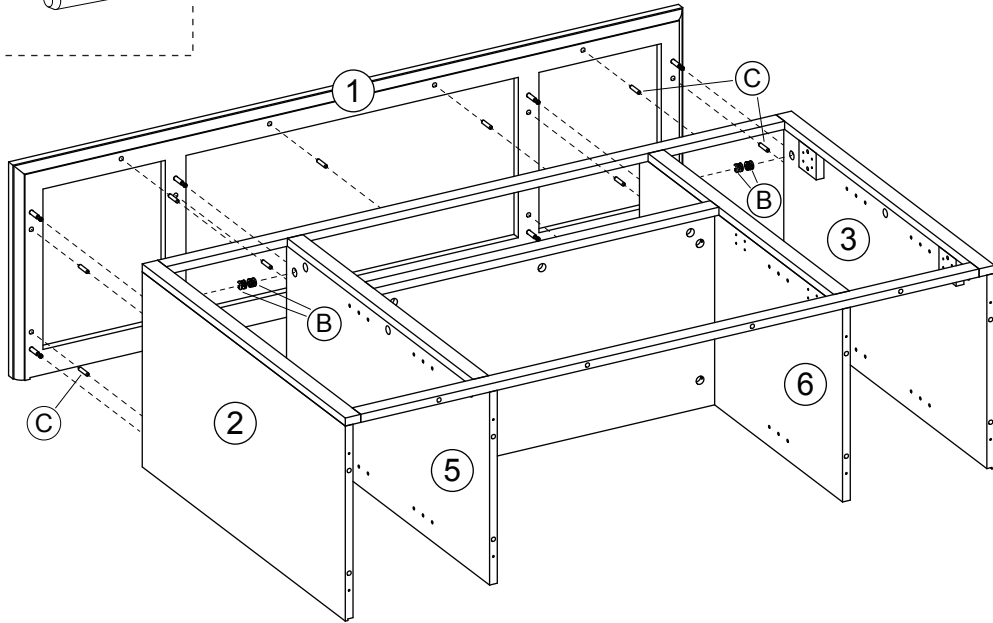
A x 8



Done

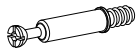
B x 8

C x 12

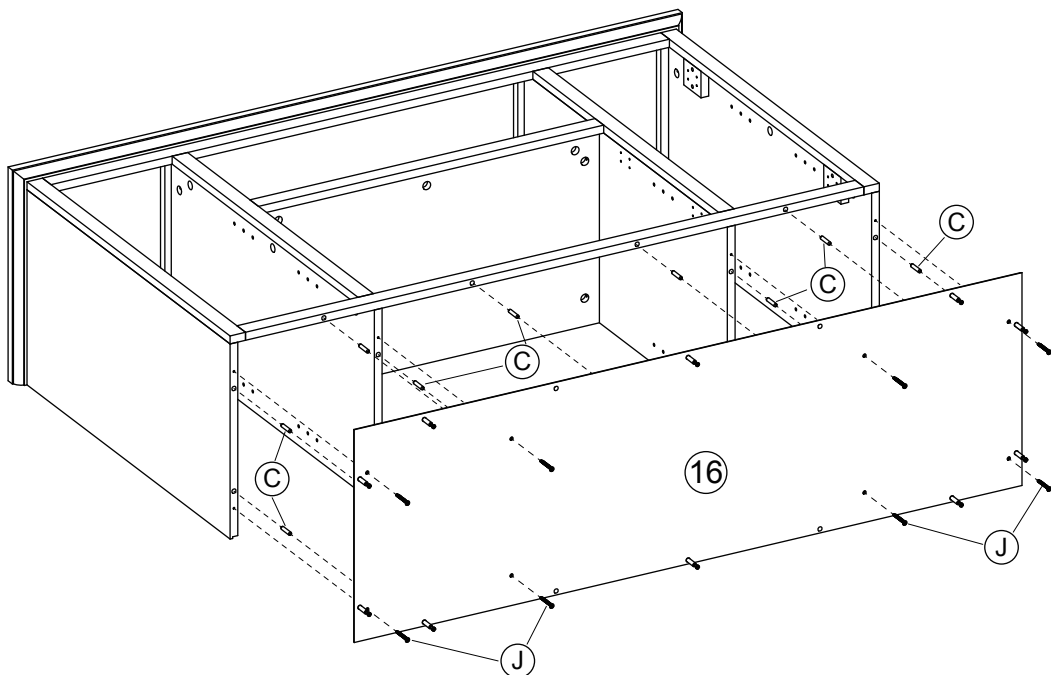
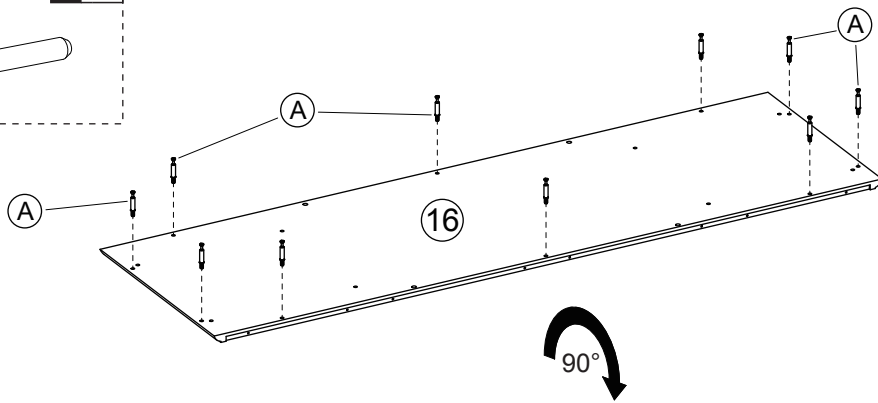
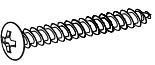


A x 10

C x 12



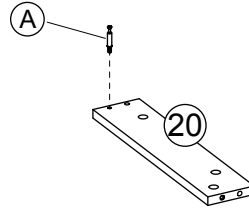
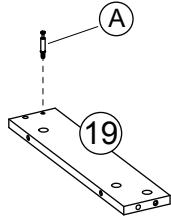
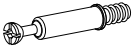
J x 8



Done

13

A x 2

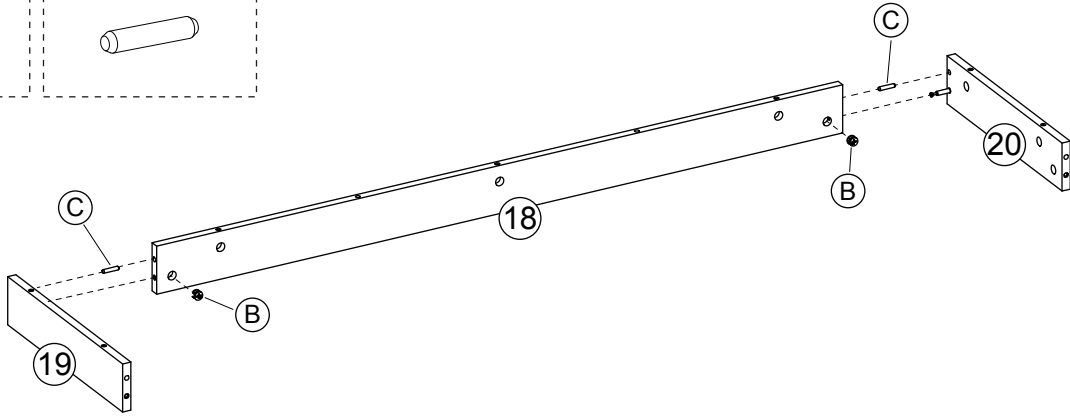
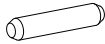


14

B x 2

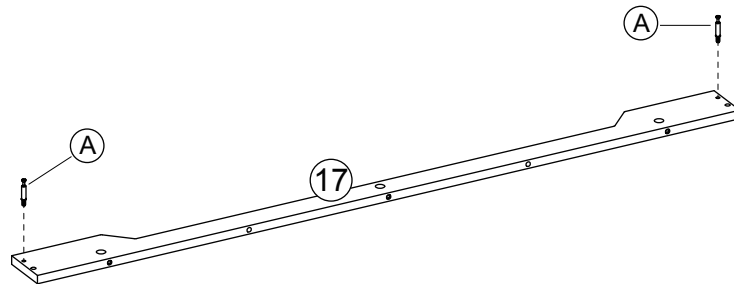
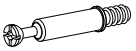


C x 2



15

A x 2

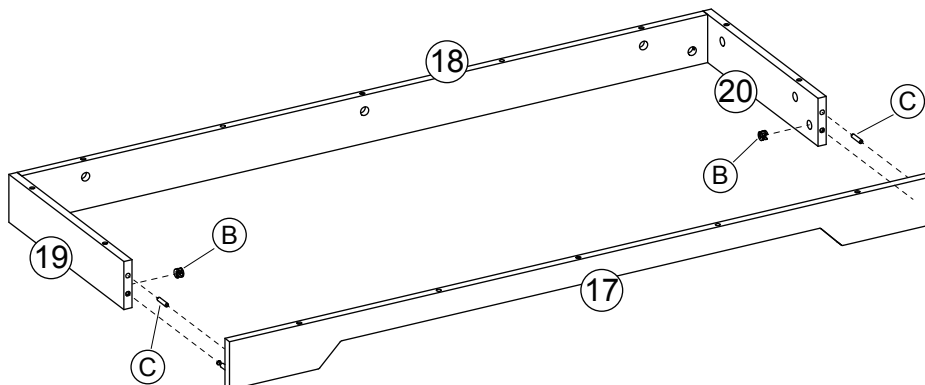
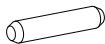


16

B x 2



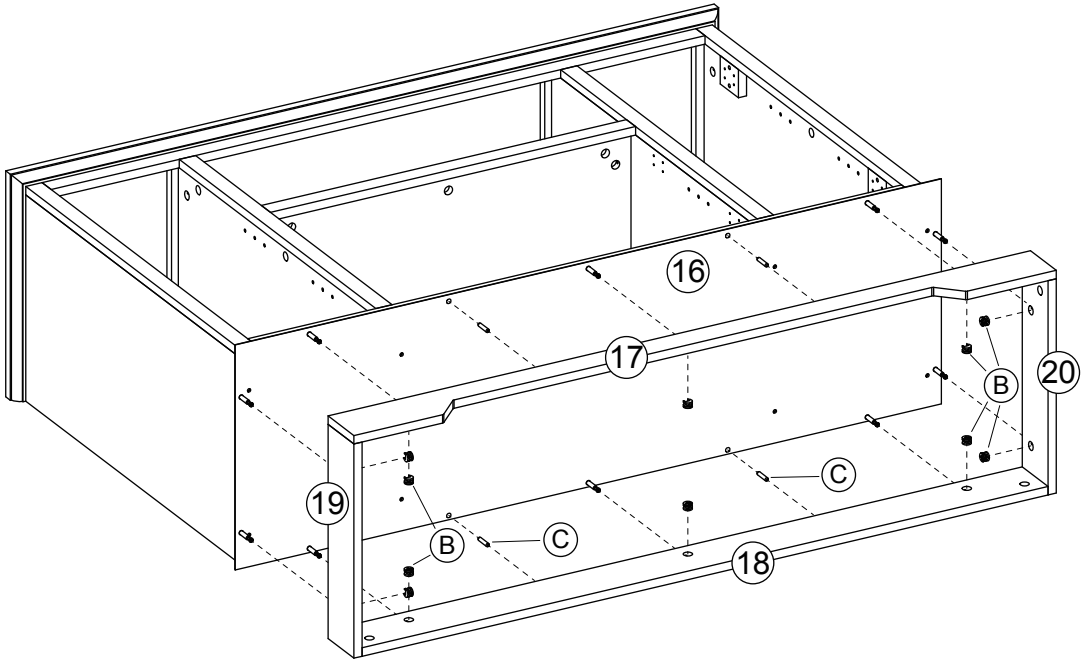
C x 2



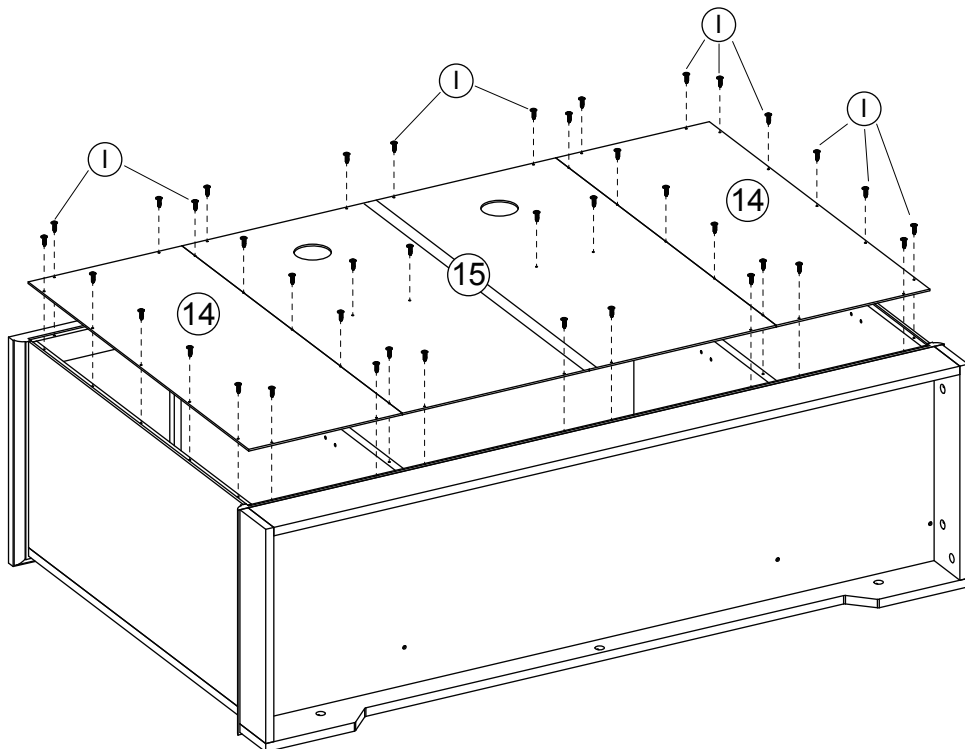
Done

B x 10

C x 4

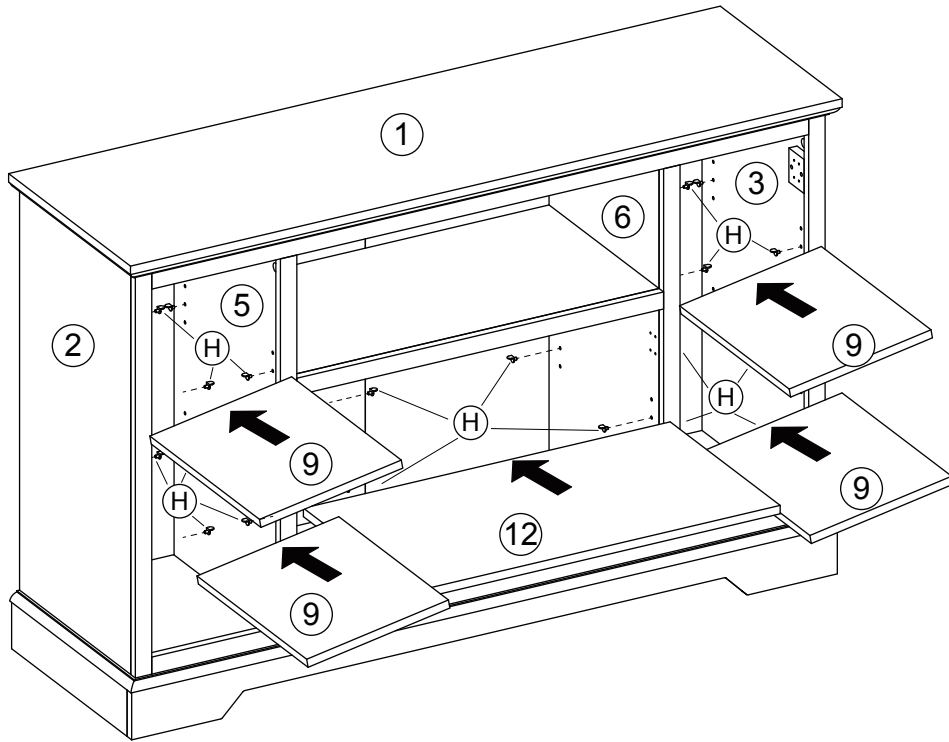


I x 40



Done

H x 20

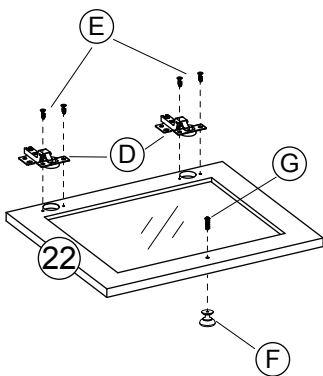
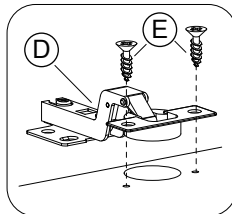
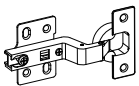


D x 8

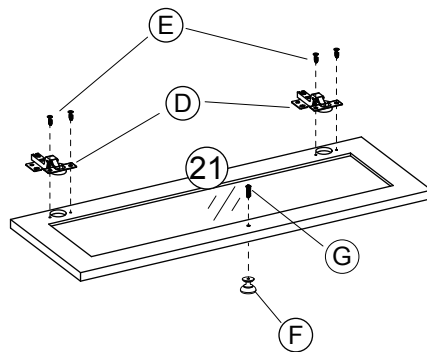
E x 16

F x 4

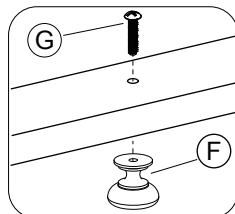
G x 4



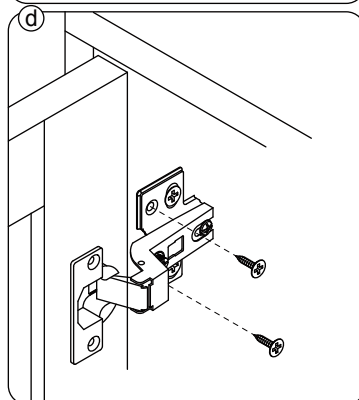
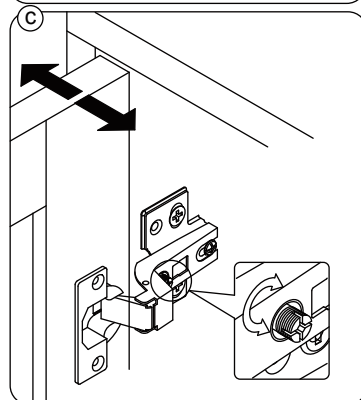
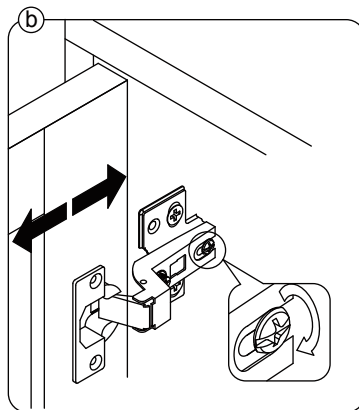
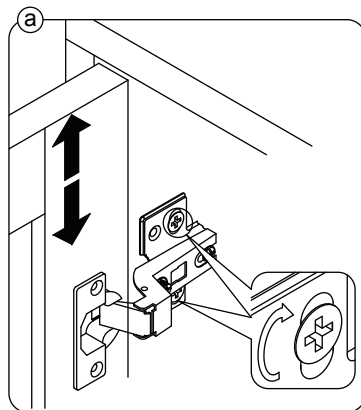
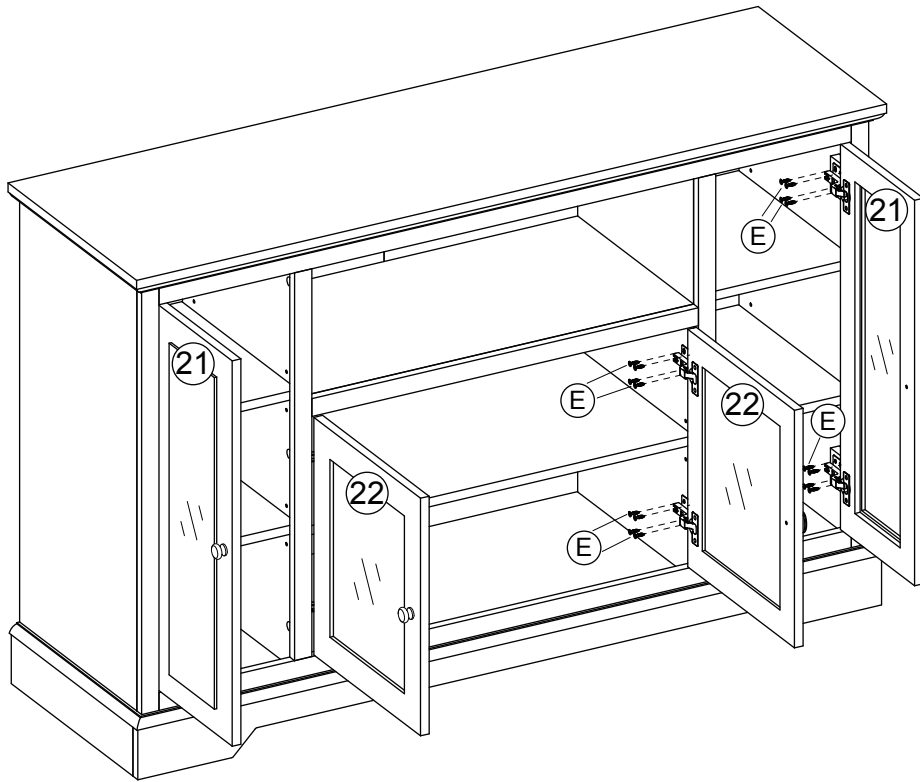
x2



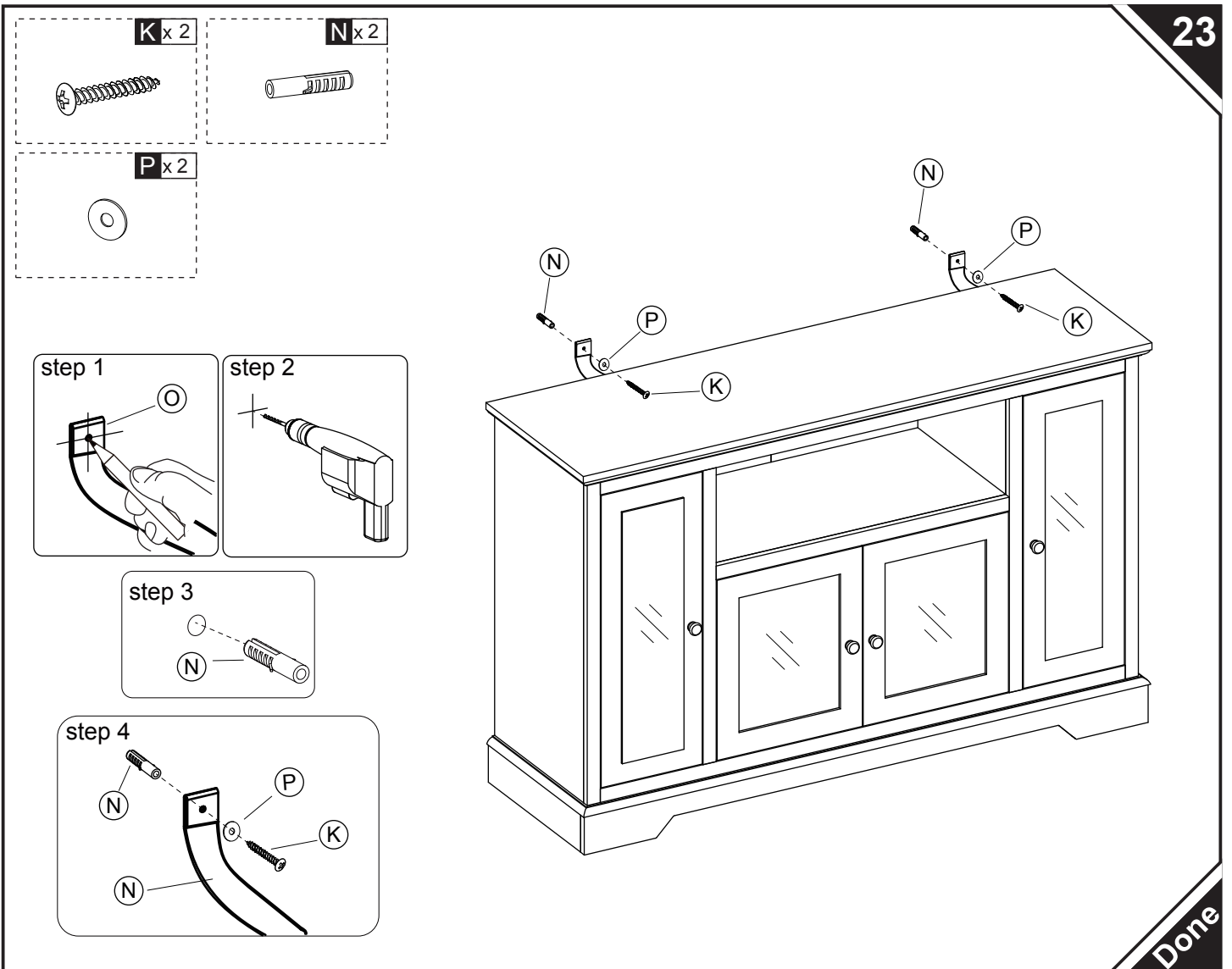
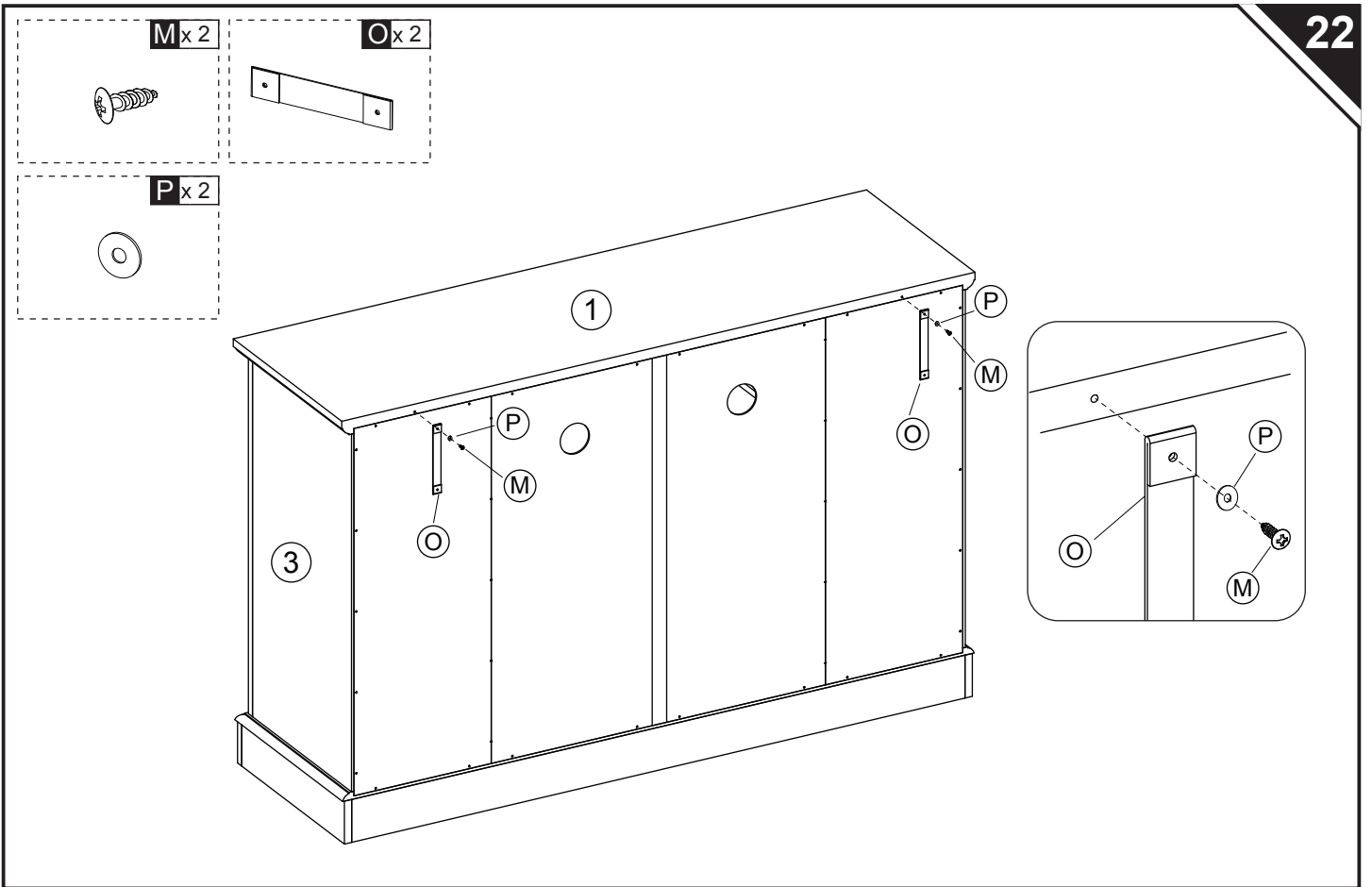
x2



E x32



Done



US



001-877-644-9366
customerservice@aosom.com

CA



001-855-537-6088
customerservice@aosom.ca

UK



0044-800-240-4004
enquiries@mhstar.co.uk

DE



0049-(0)40-88307530
service@aosom.de

FR



0033-1-84166106
contact@aosom.fr

ES



0034-931294512
atencioncliente@aosom.es

IT



0039-0249471447
clienti@aosom.it