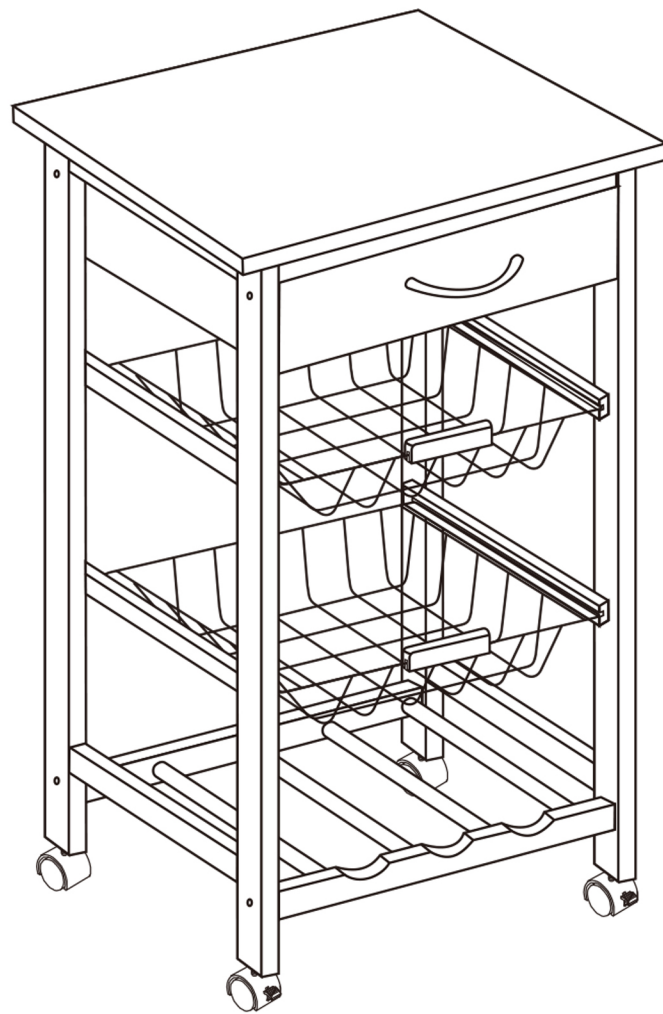


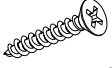










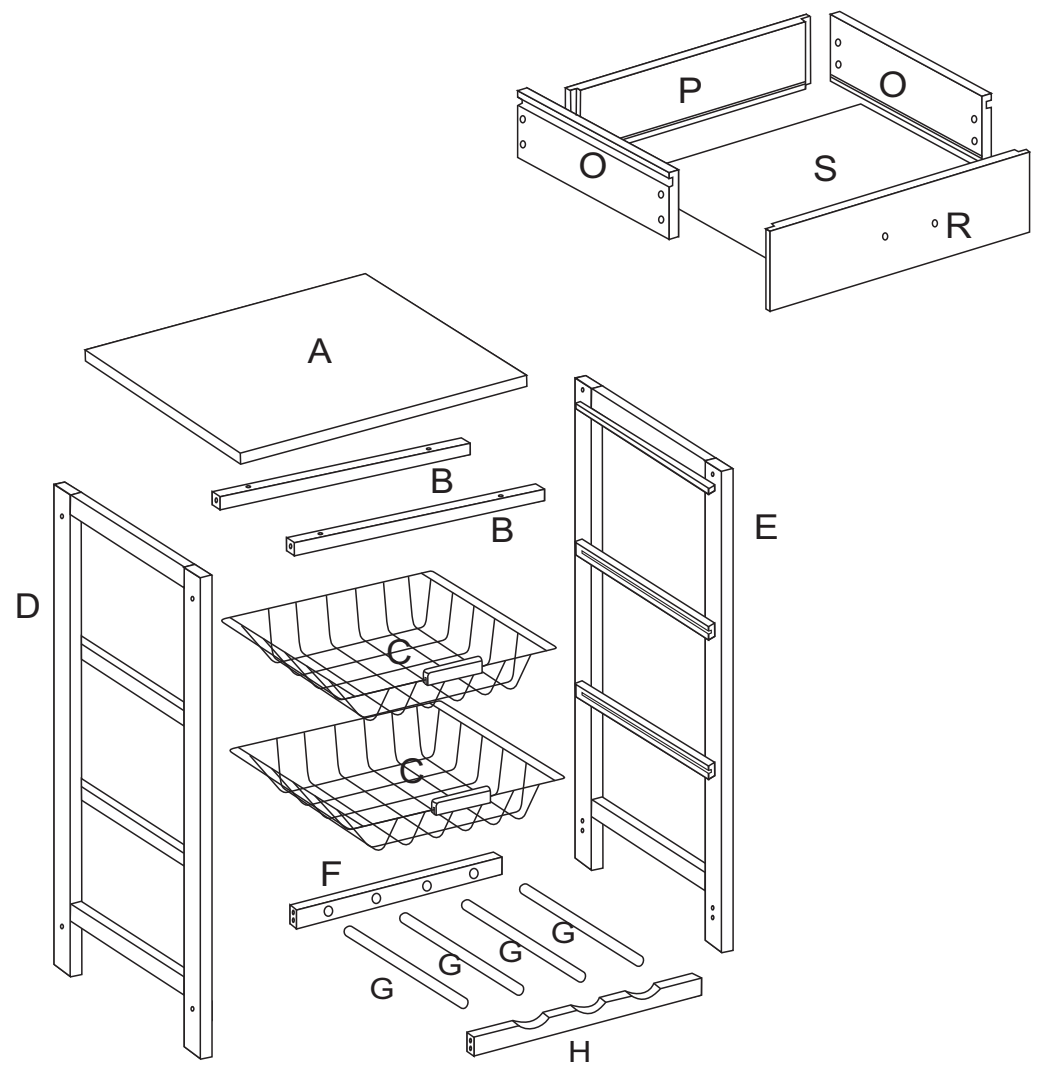
801-037



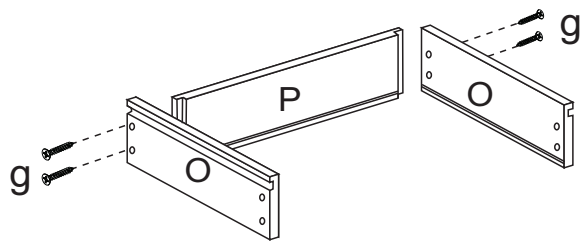
Please read these instructions and warranty information carefully before use and keep them properly for future reference.

OPERATING INSTRUCTIONS

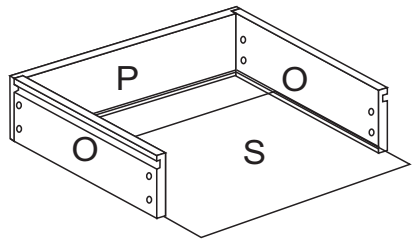
-  a×1
-  b×4
-  c×4
-  d×4
-  e×1
-  f×2
-  g×8
-  h×2
-  j×2
-  k×4
-  n×4



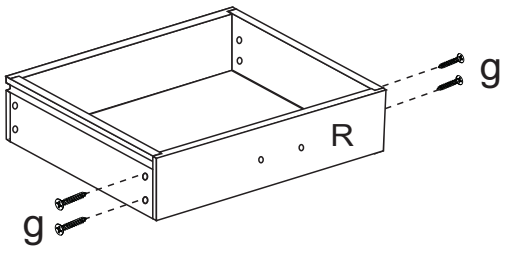
Step 1



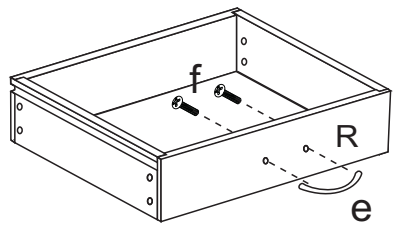
Step 2



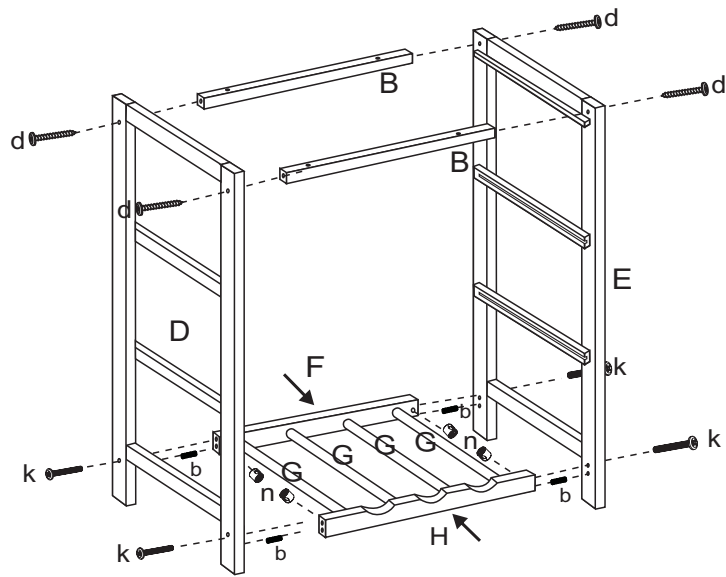
Step 3



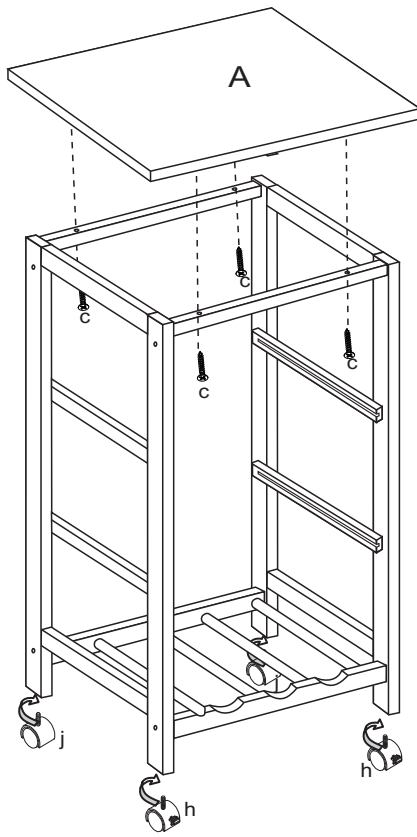
Step 4



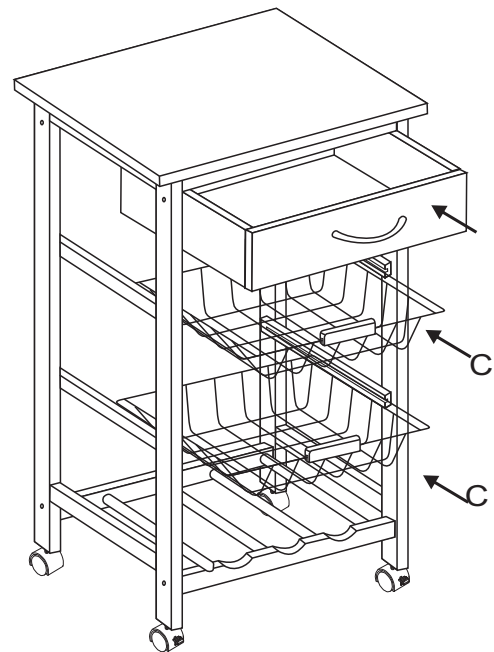
Step 5



Step 6



Step 7



OK

