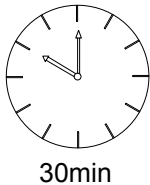
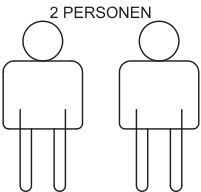
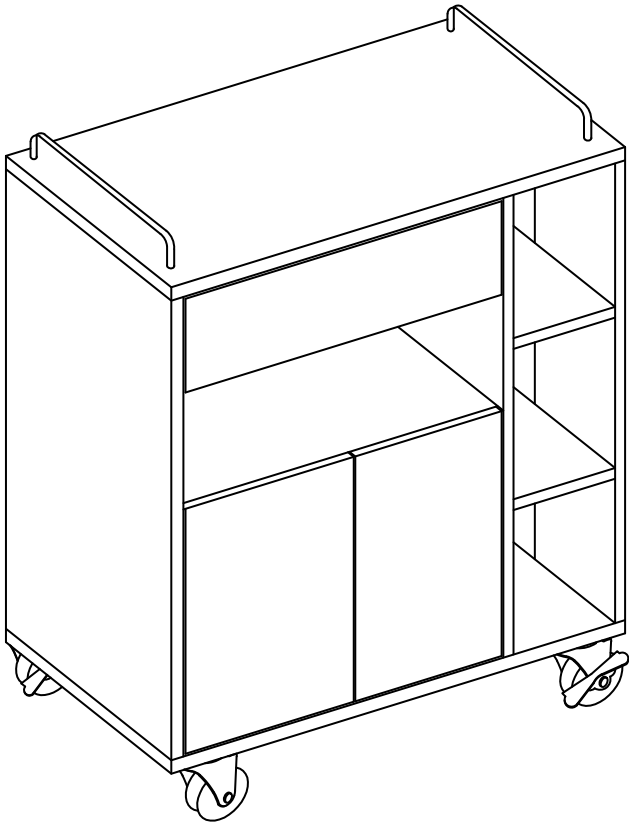
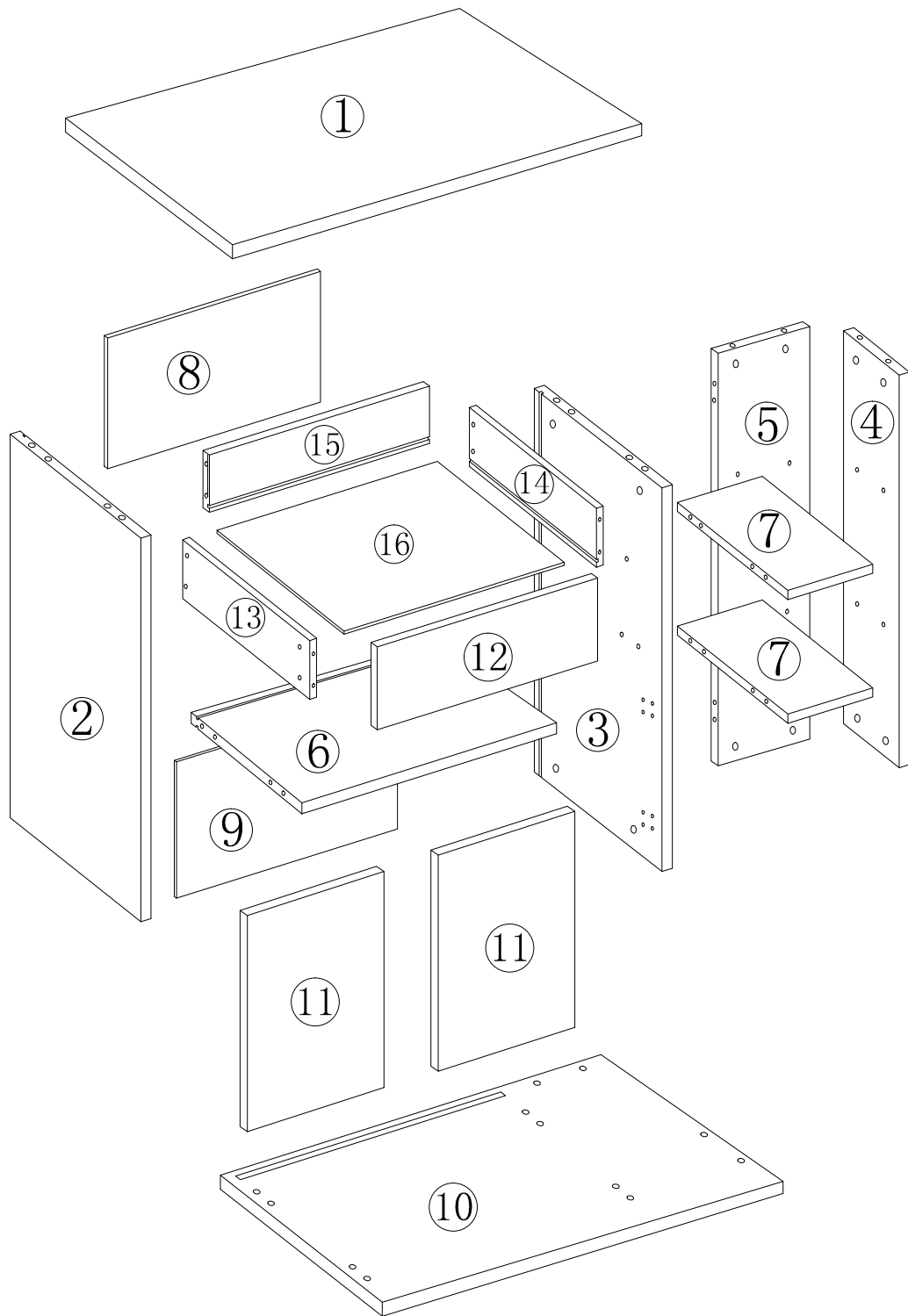











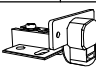




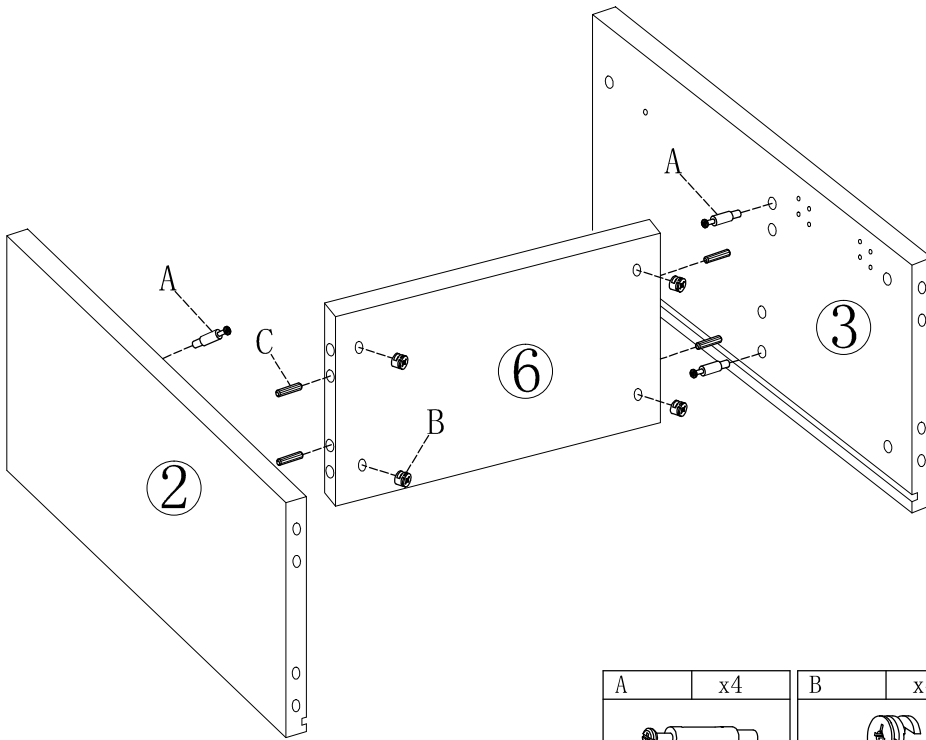
801-077#

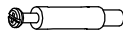






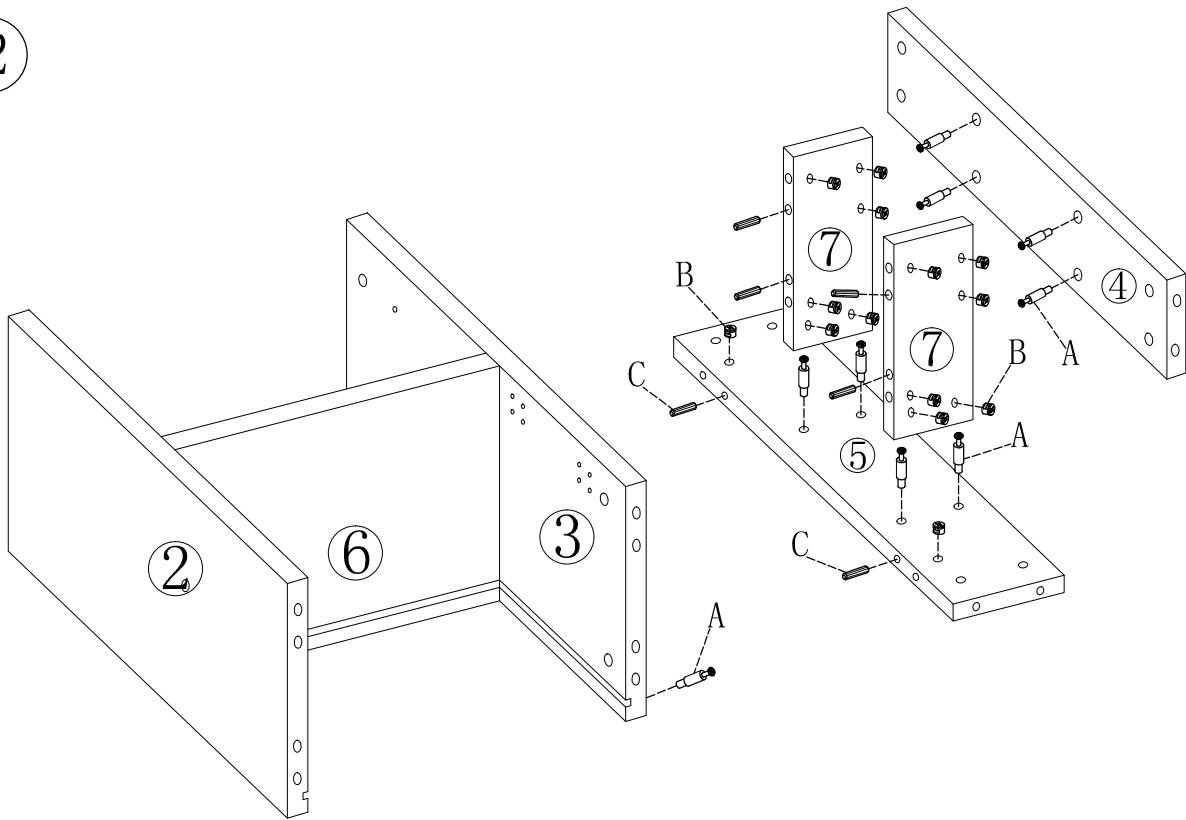
A	x38	B	x38	C	x18	D	x48	E	x2	F	x2
											
∅6x35mm		∅15x11mm		∅8x30mm		3.5*12mm					
G	x2	H	x2	I	x2	J	x4	K	x4	L	x4
											
285x26x8mm		285x18x6mm		∅10x362mm		M4x20mm		M4x35mm			

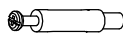

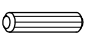
1



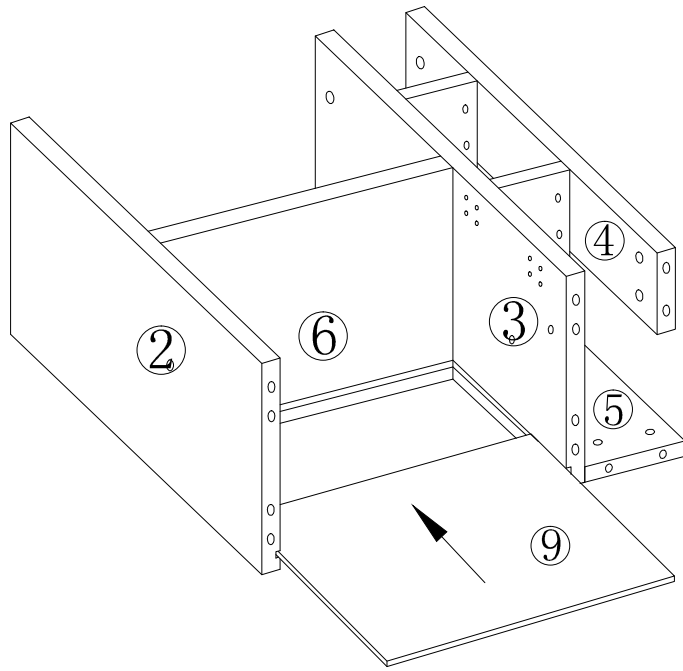
A	x4	B	x4	C	x4
					
Ø6x35mm		Ø15x11mm		Ø8x30mm	

2

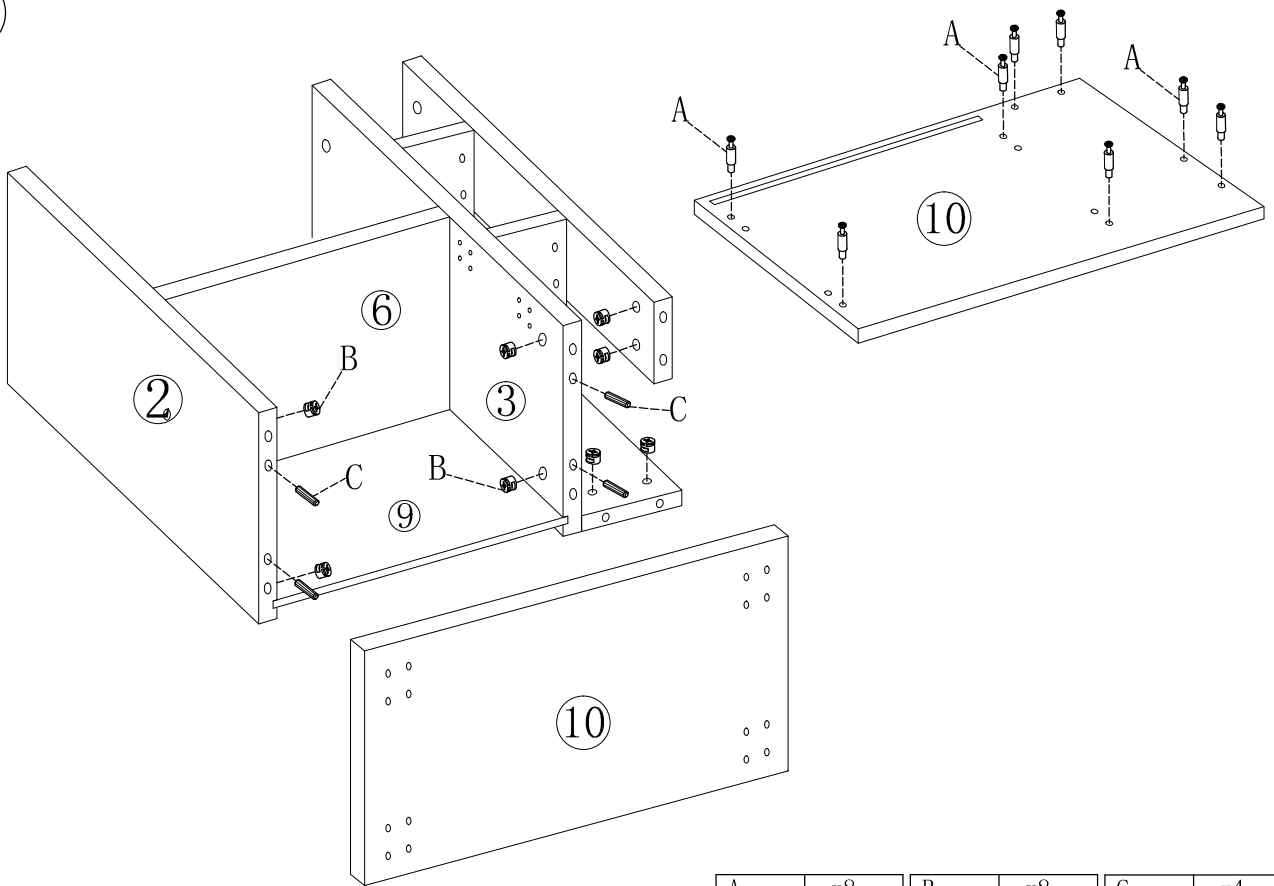


A	x14	B	x14	C	x6
					
Ø6x35mm		Ø15x11mm		Ø8x30mm	

3

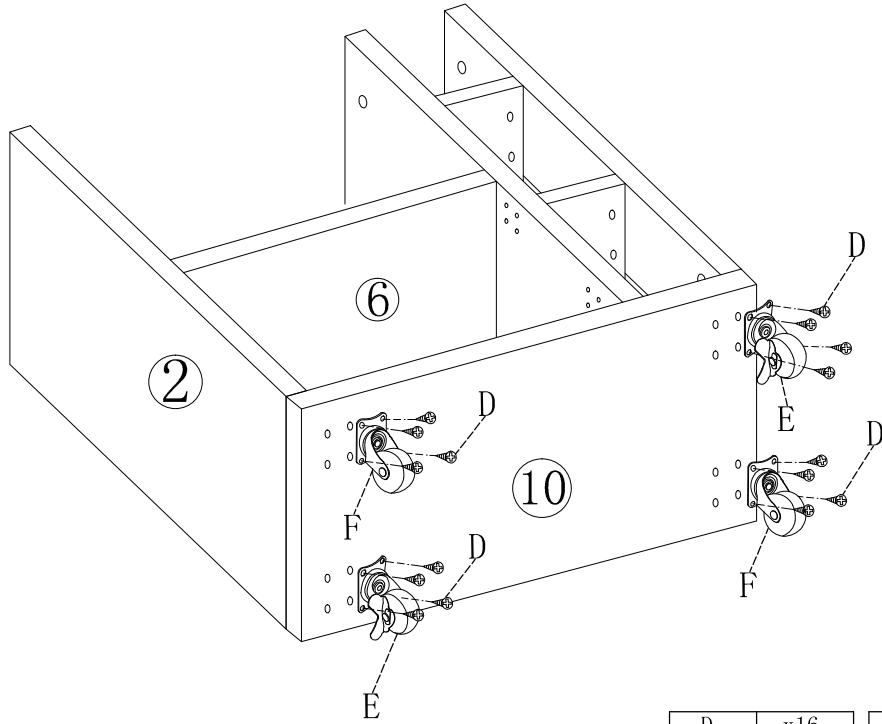





4



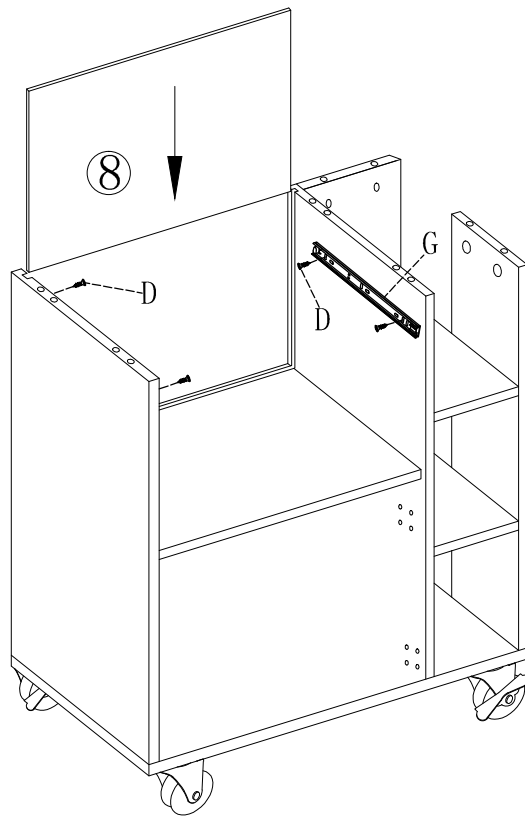
A	x8	B	x8	C	x4
<p>Ø6x35mm</p>		<p>Ø15x11mm</p>		<p>Ø8x30mm</p>	



5



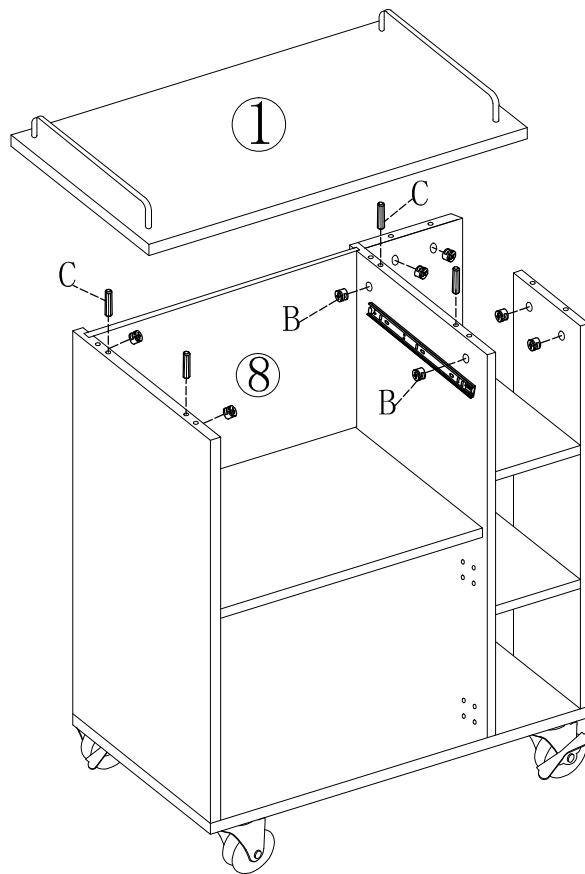
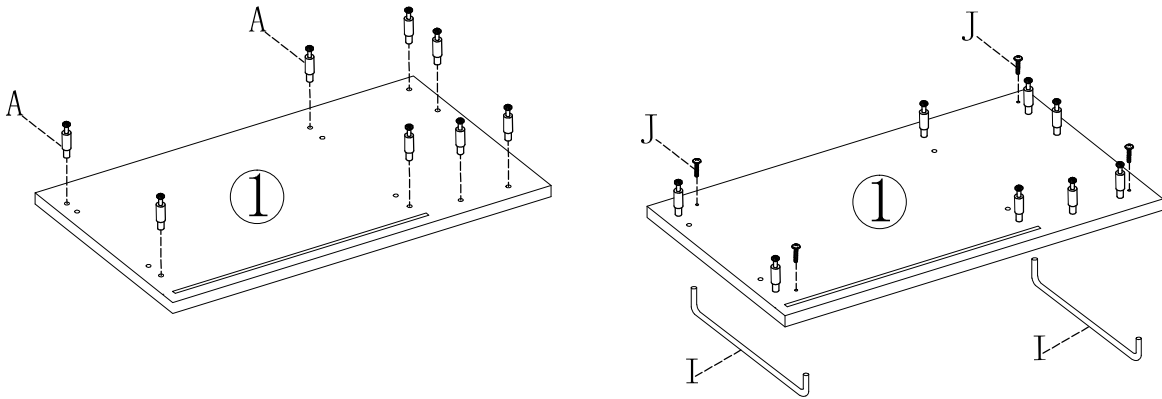
D	x16	E	x2	F	x2
					
3.5*12mm					




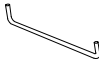

6



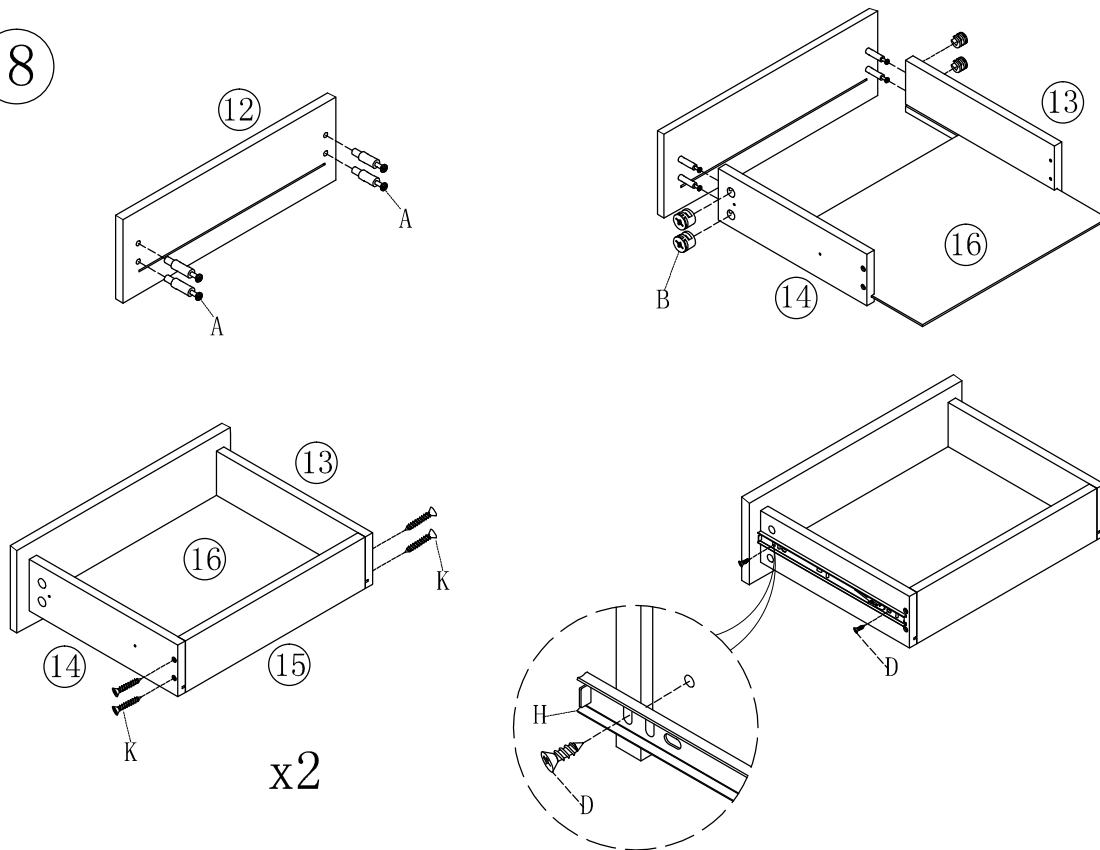
D	x4	G	x2
			
3.5*12mm		285x26x8mm	

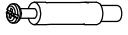




7



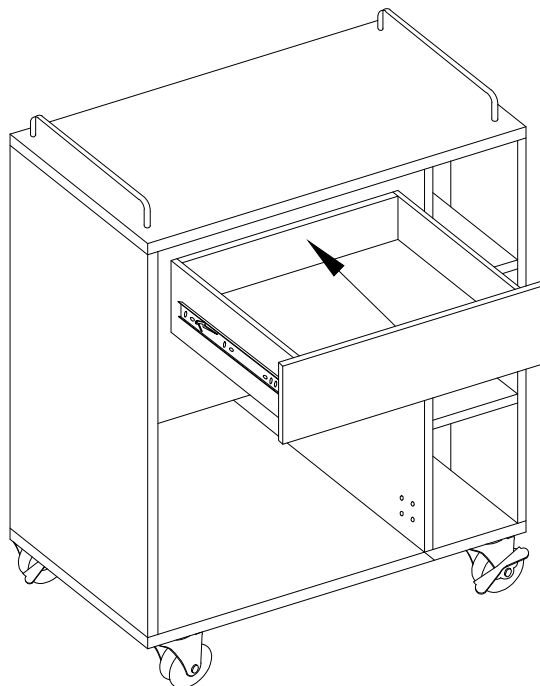
A	x8	B	x8	C	x4	I	x2	J	x4
									
$\phi 6 \times 35 \text{mm}$		$\phi 15 \times 11 \text{mm}$		$\phi 8 \times 30 \text{mm}$		$\phi 10 \times 362 \text{mm}$		M4x20mm	

8

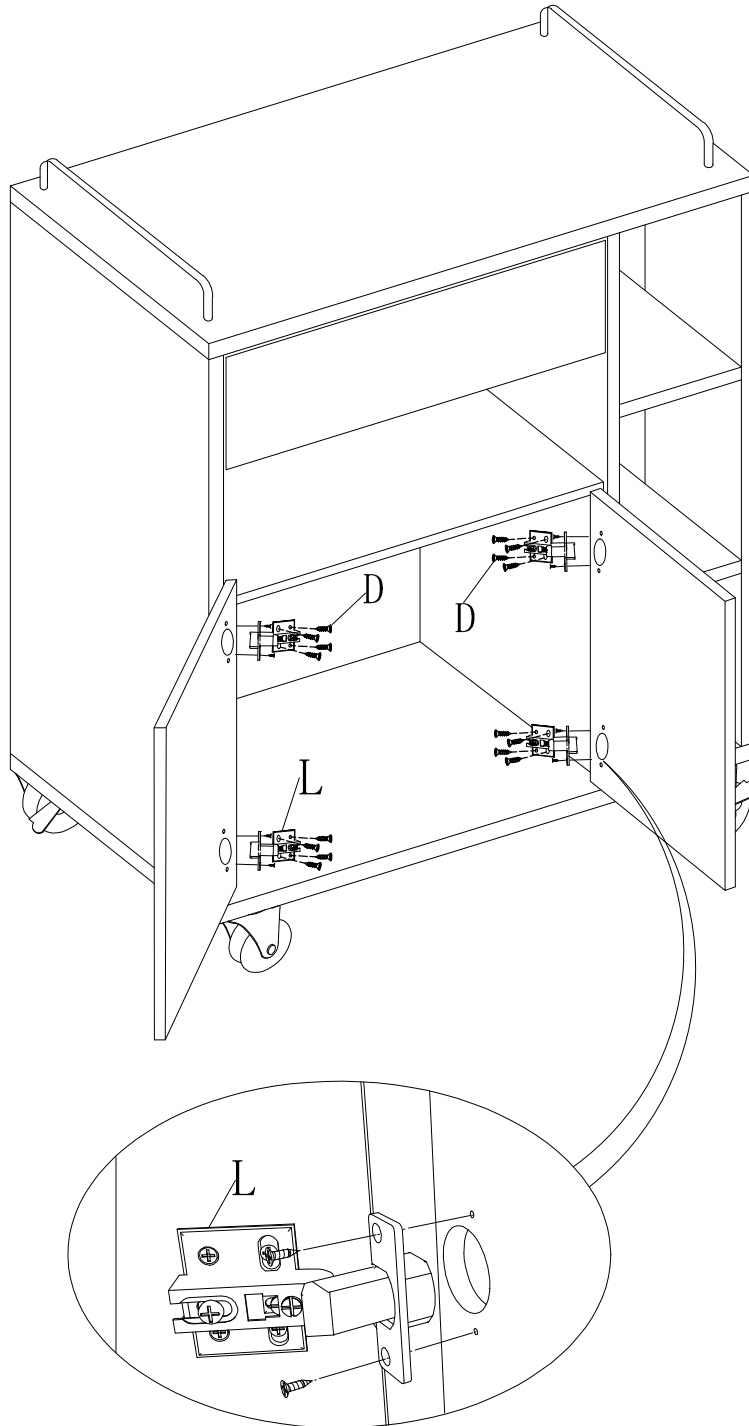



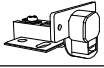
A	x4	B	x4	D	x4	H	x2	K	x4
									
Ø6x35mm		Ø15x11mm		3.5*12mm		285x18x6mm		M4x35mm	

9



10



D	x24	L	x4
			
3.5*12mm			