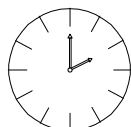
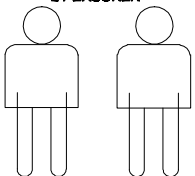




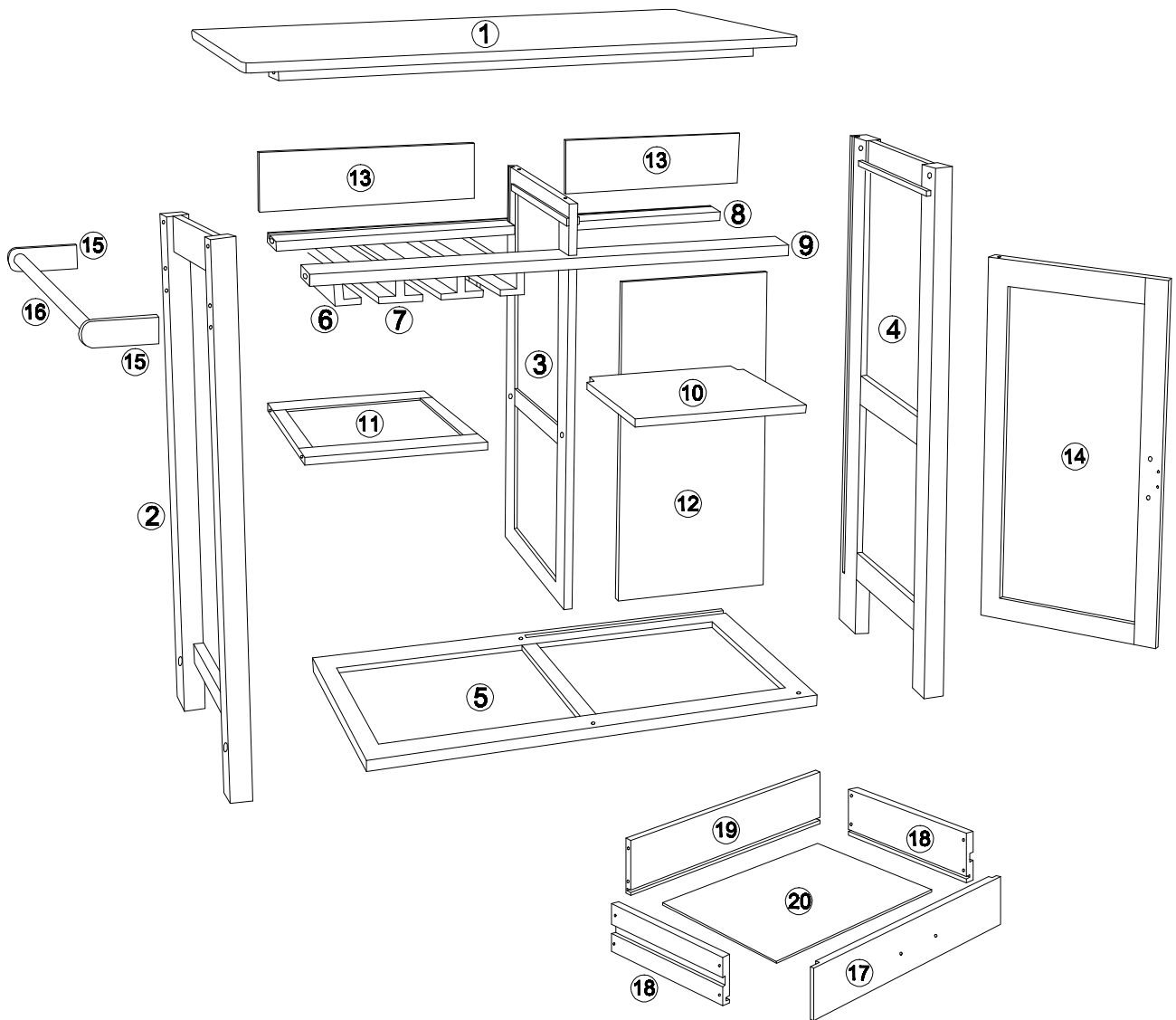
801-069#






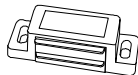
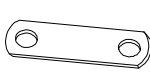
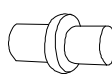



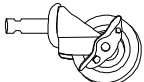
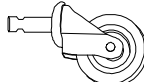


2 PERSONEN

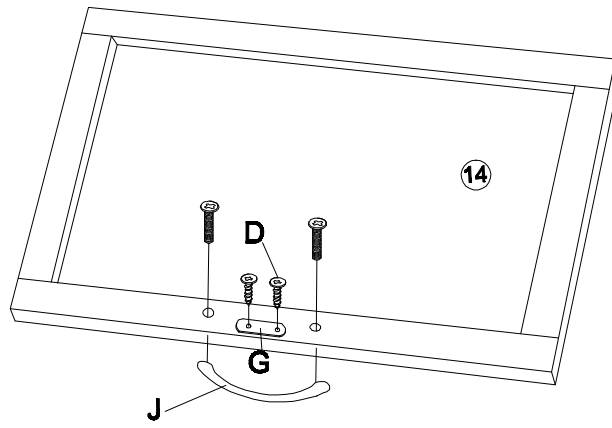


60min

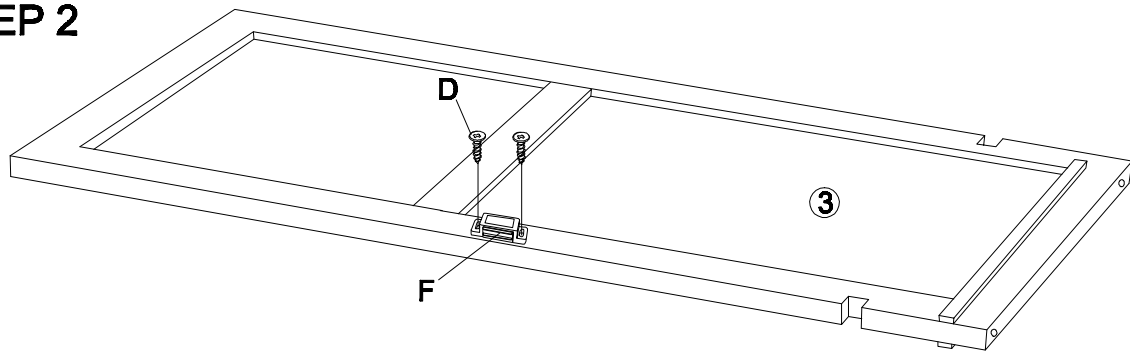


A	x16	B	x16	C	x6	D	x4	E	x8
									
5x45mm		3x25mm		6x30mm		3x12mm		3.5x35mm	
F	x1	G	x1	H	x2	I	x2	J	x3
									
K	x1	L		M					
									

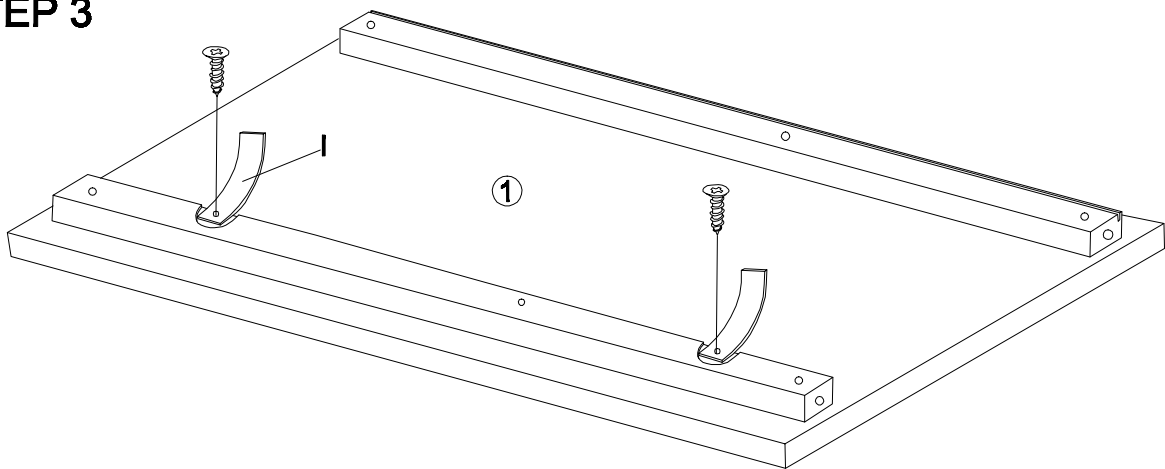
STEP 1



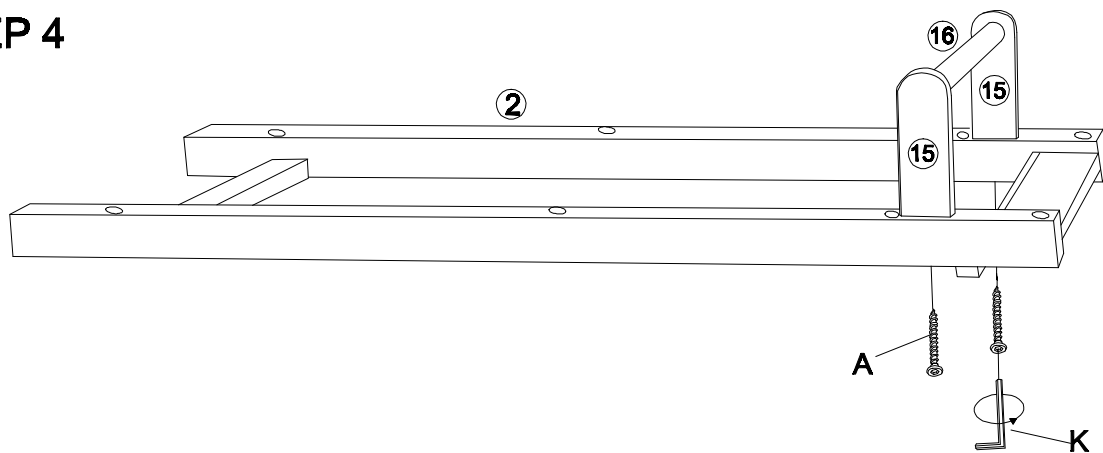
STEP 2



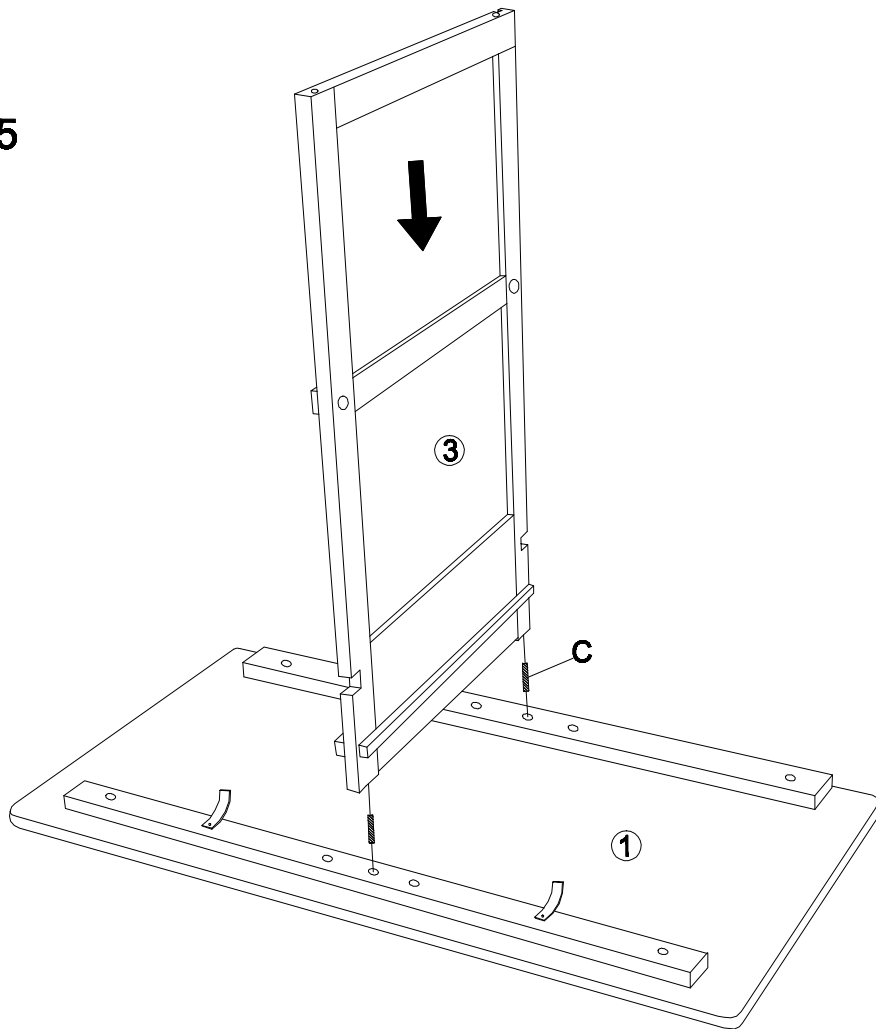
STEP 3



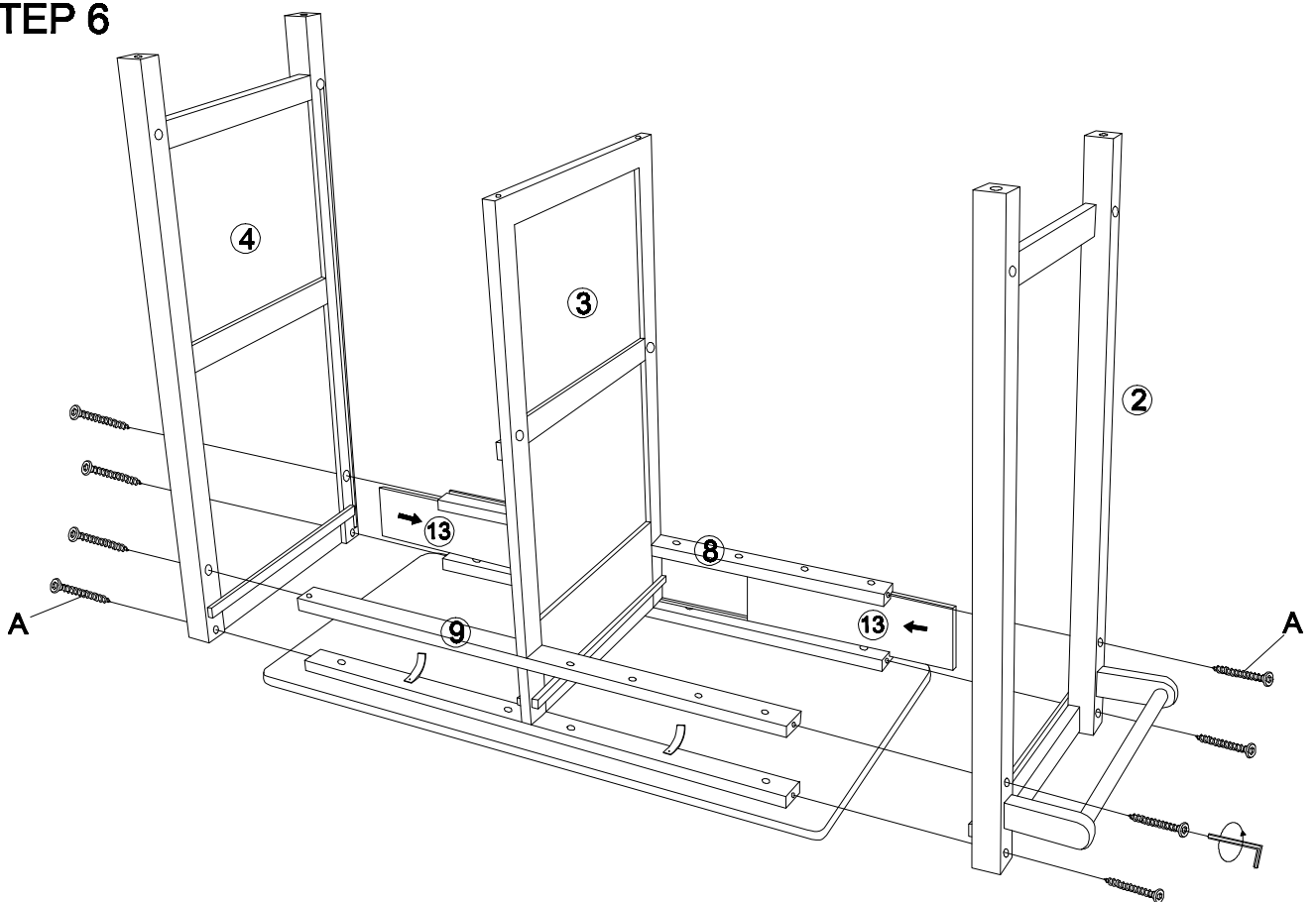
STEP 4



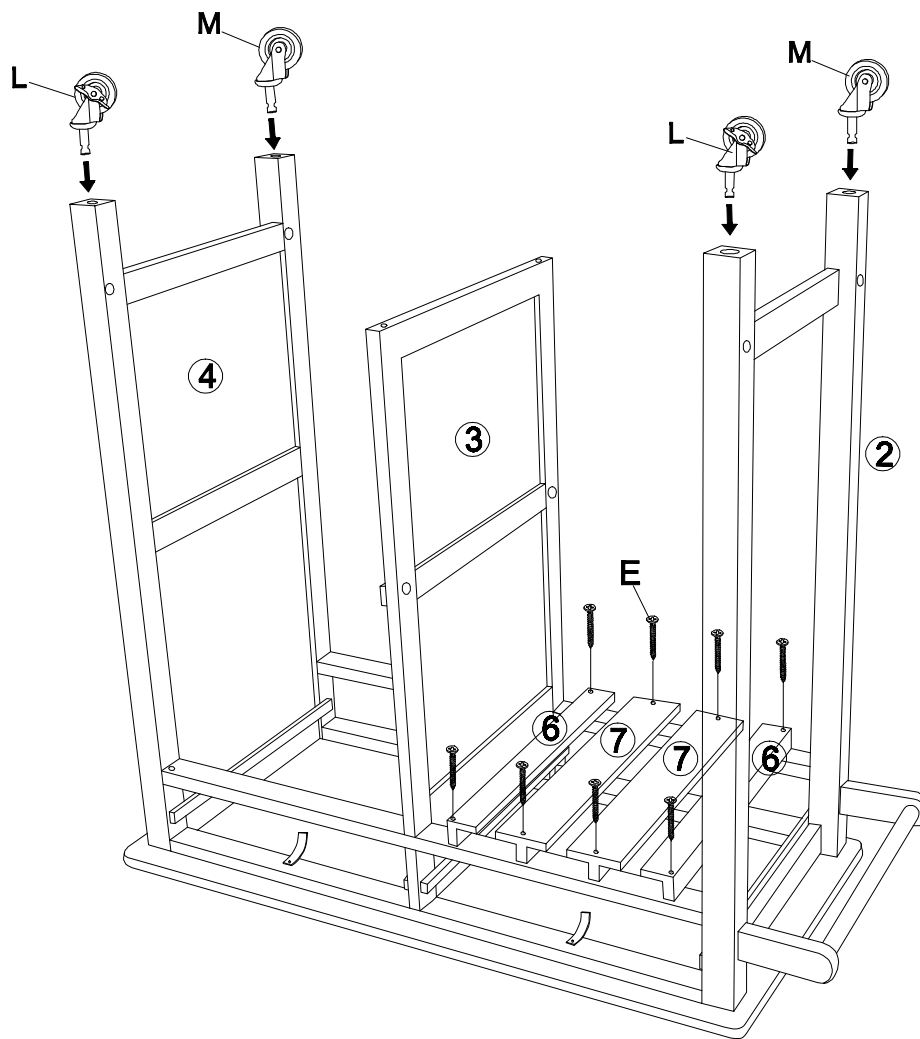
STEP 5



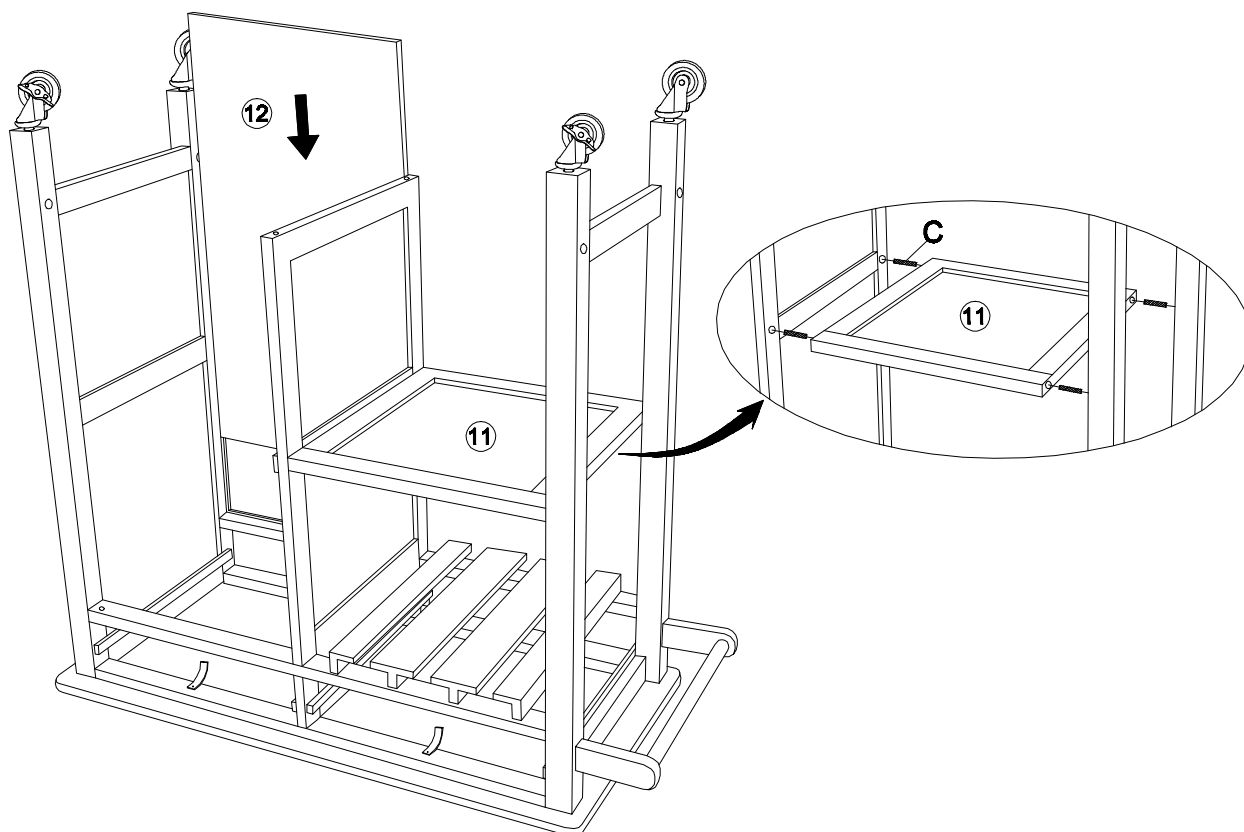
STEP 6



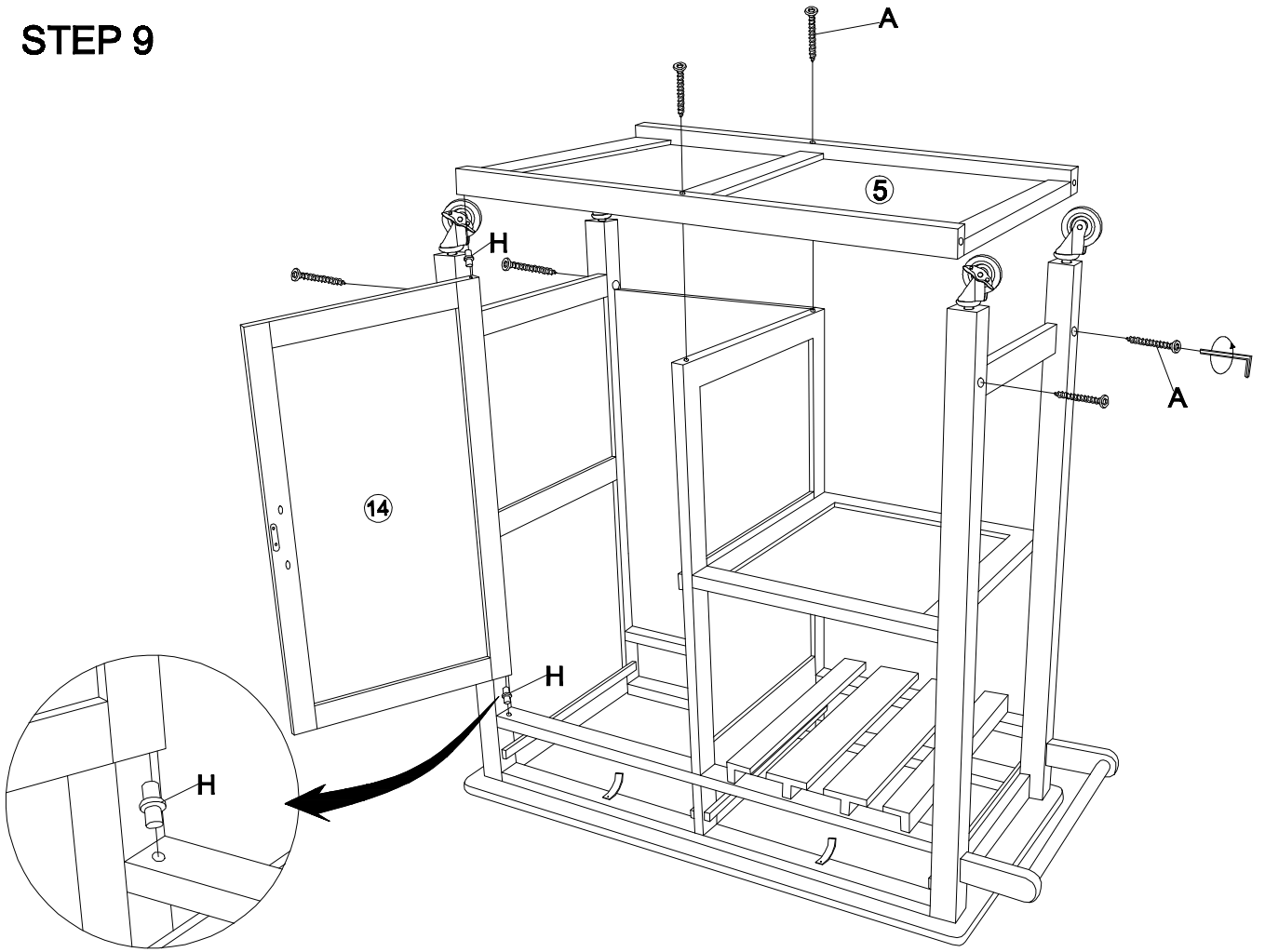
STEP 7



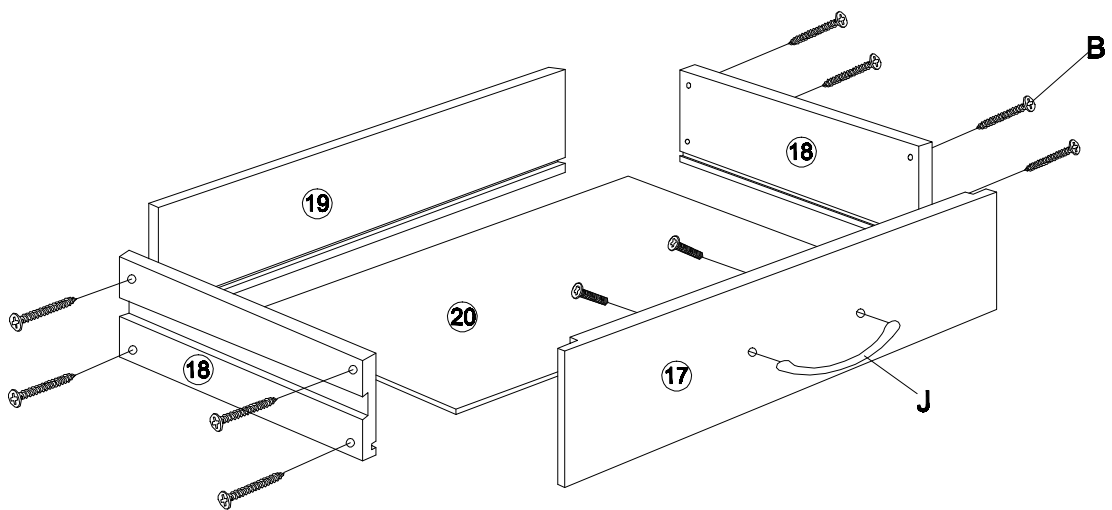
STEP 8



STEP 9

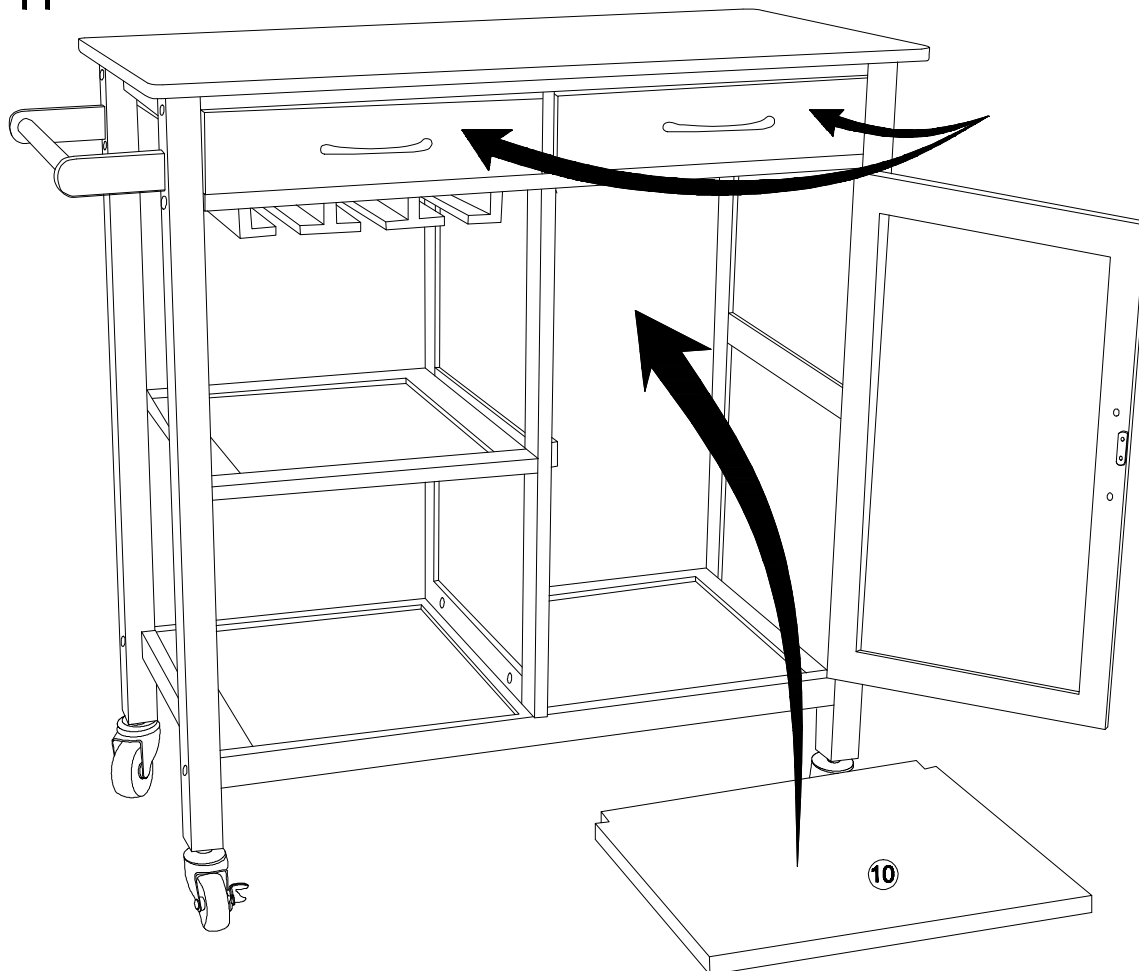


STEP 10



x2

STEP 11



STEP 12

