

IMPORTANT, RETAIN FOR FUTURE REFERENCE: READ CAREFULLY

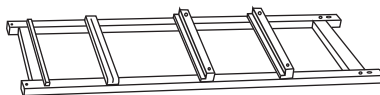
ASSEMBLY INSTRUCTION

PARTS

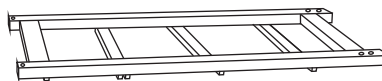
1 x 1



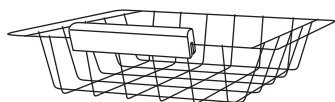
2 x 1



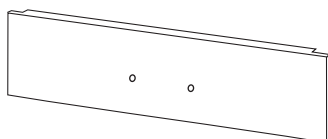
3 x 1



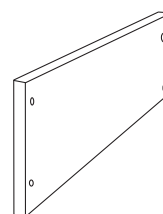
4 x 1



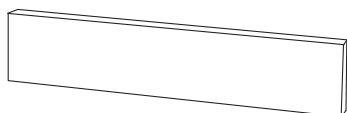
5 x 1



6 x 2



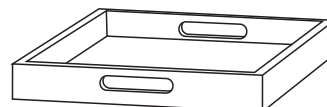
7 x 1



8 x 1



9 x 2

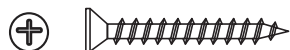


10 x 1



HARDWARE

A x 8
+1 (spare)



Ø5*40mm

B x 8
+1 (spare)



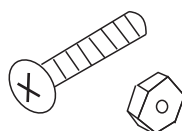
Ø3*25mm

C x 1



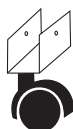
Ø4*14mm

D x 4
+1 (spare)

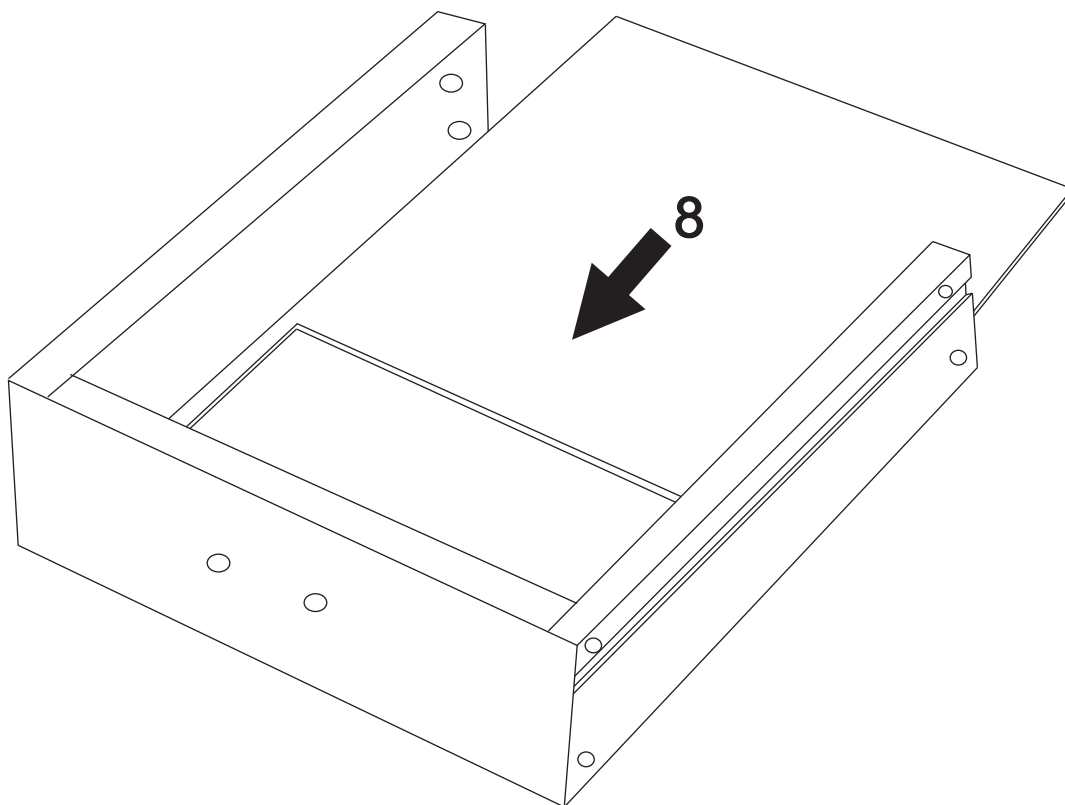
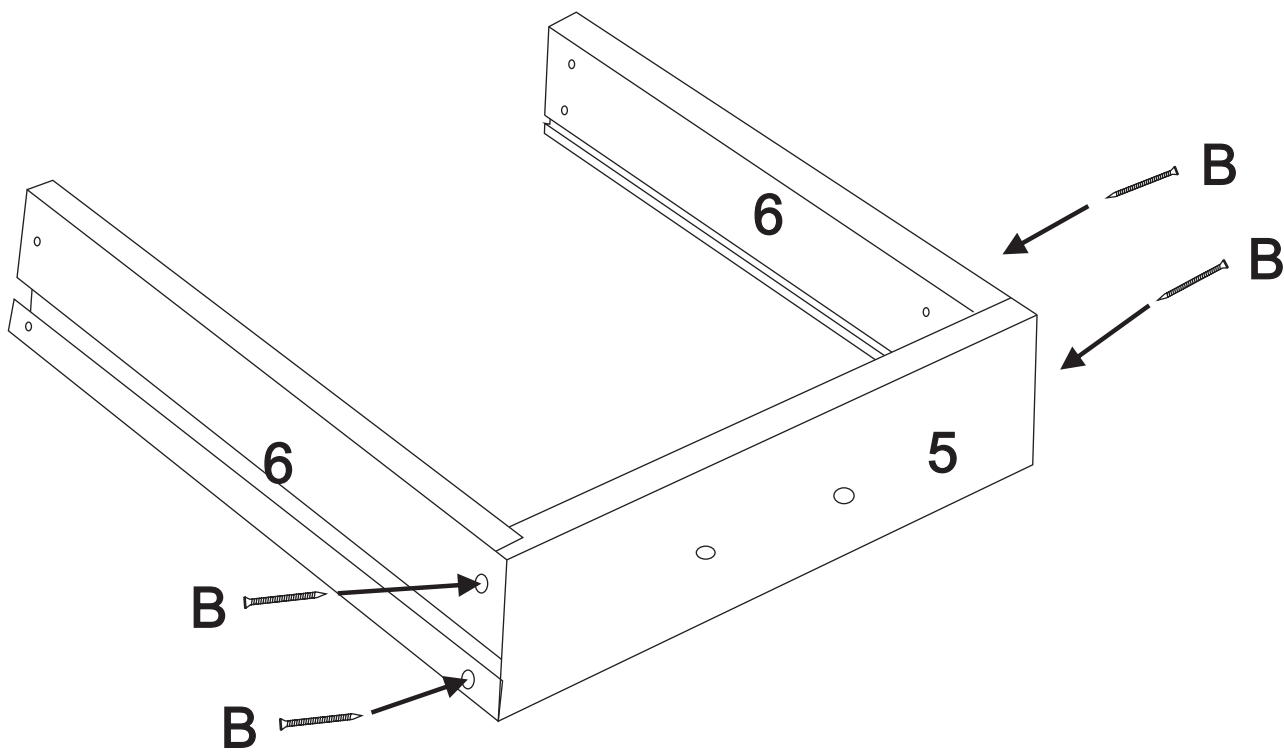


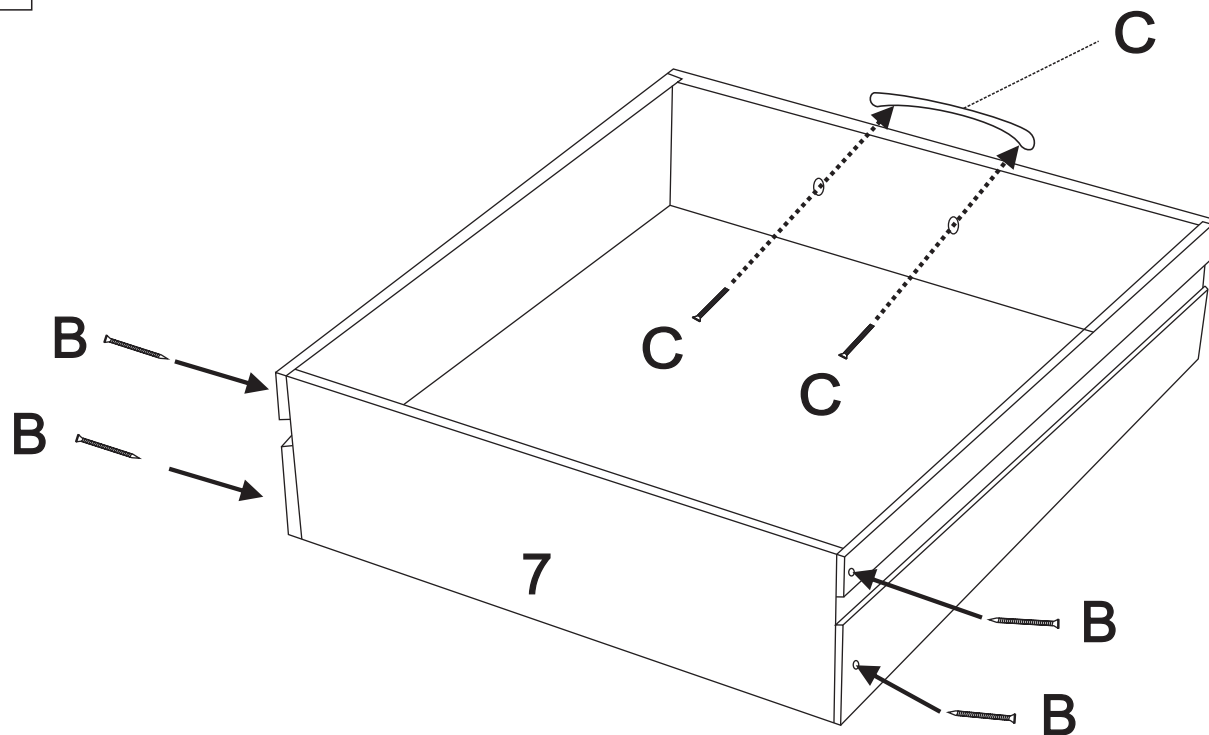
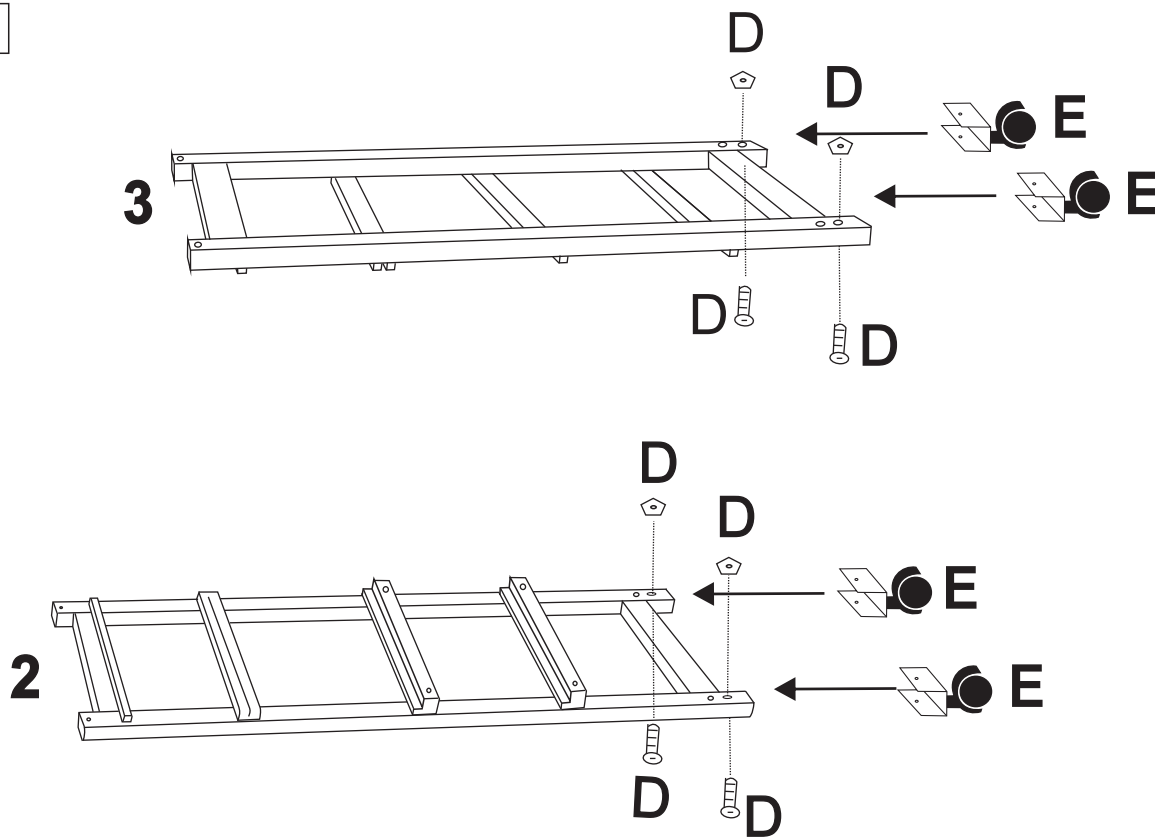
Ø4*22mm

E x 4

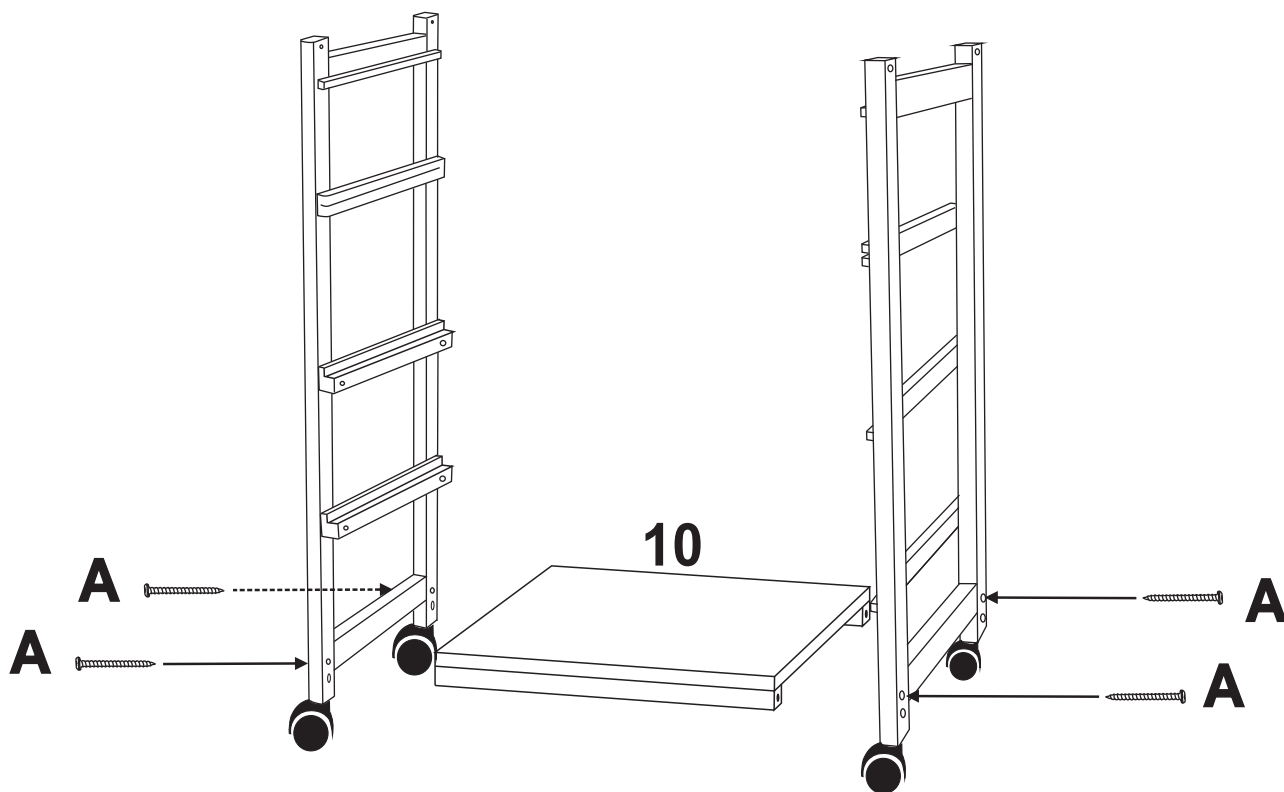


B x 4



B x 4**C** x 1**D** x 4**E** x 4

A x 4



A x 4

