



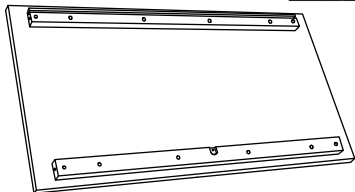
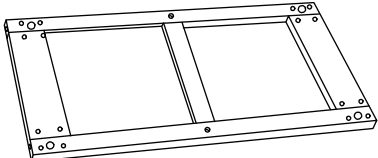
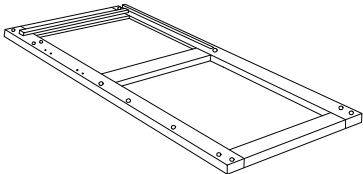
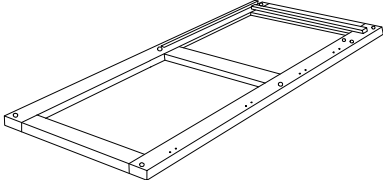
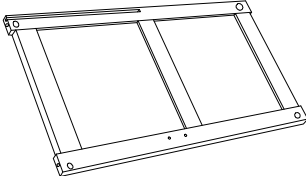
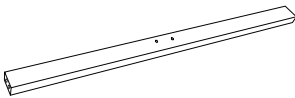
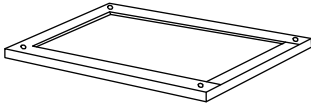
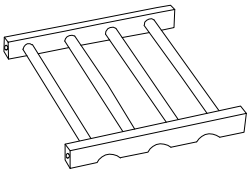
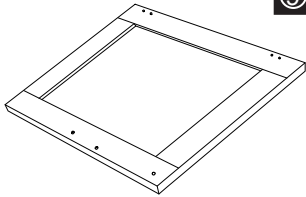
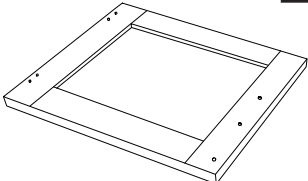
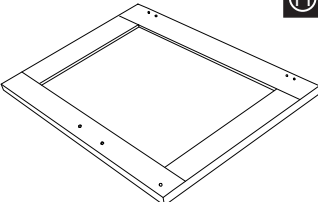
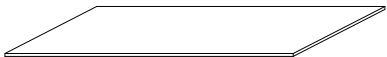








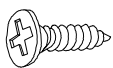
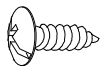
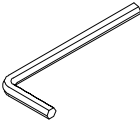
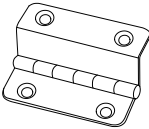

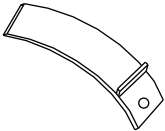
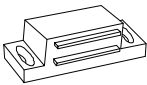


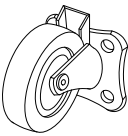
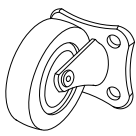
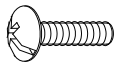
INccd079_GL

801-179



READ AND SAVE THIS INSTRUCTIONS FOR FUTURE USE

ASSEMBLY & INSTRUCTION MANUAL

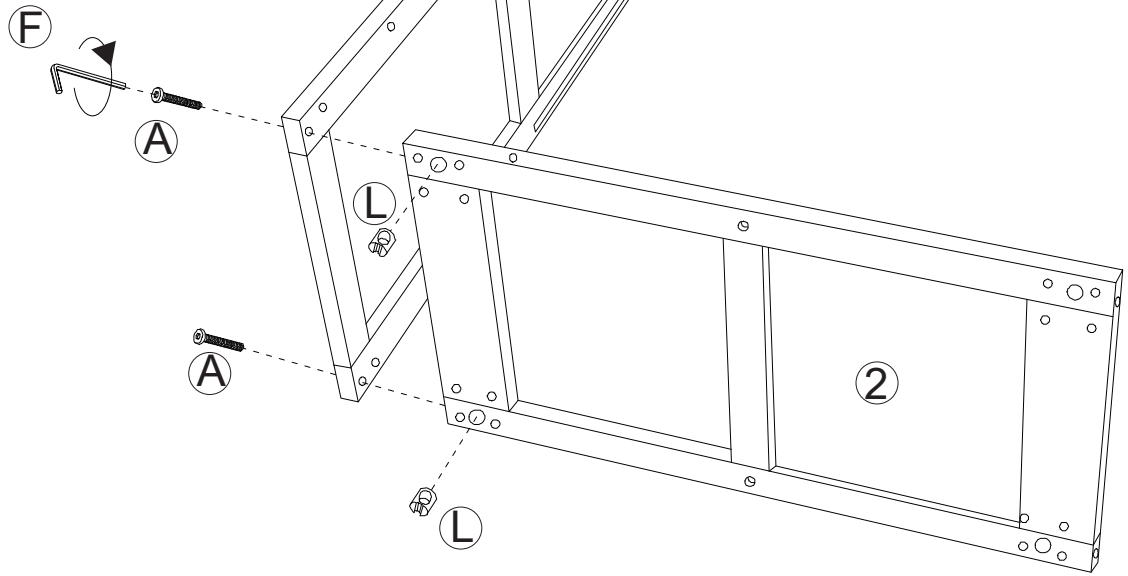
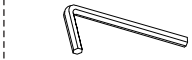
| | | | | | |
|--|--|--|---|--|---|
|  ① x 1 |  ② x 1 |  ③ x 1 | | | |
|  ④ x 1 |  ⑤ x 1 |  ⑥ x 1 | | | |
|  ⑦ x 1 |  ⑧ x 3 |  ⑨ x 1 | | | |
|  ⑩ x 1 |  ⑪ x 1 |  ⑫ x 1 | | | |
|  ⑬ x 1 |  ⑭ x 1 |  ⑮ x 1 | | | |
|  ⑯ x 1 |  ⑰ x 2 |  Ⓐ x 16 M6*45 +1(spare) |  Ⓑ x 8 M3*25 +1(spare) |  Ⓒ x 16 M6*30 +1(spare) | |
|  Ⓓ x 32 M3*12 +1(spare) |  Ⓔ x 16 M4*12 +1(spare) |  Ⓕ x 1 |  Ⓖ x 6 |  Ⓗ x 3 |  Ⓘ x 1 |
|  Ⓙ x 2 |  Ⓚ x 4 |  Ⓛ x 16 |  Ⓜ x 2 |  Ⓝ x 2 |  Ⓞ x 8 M4*16 +1(spare) |

A x 2

L x 2

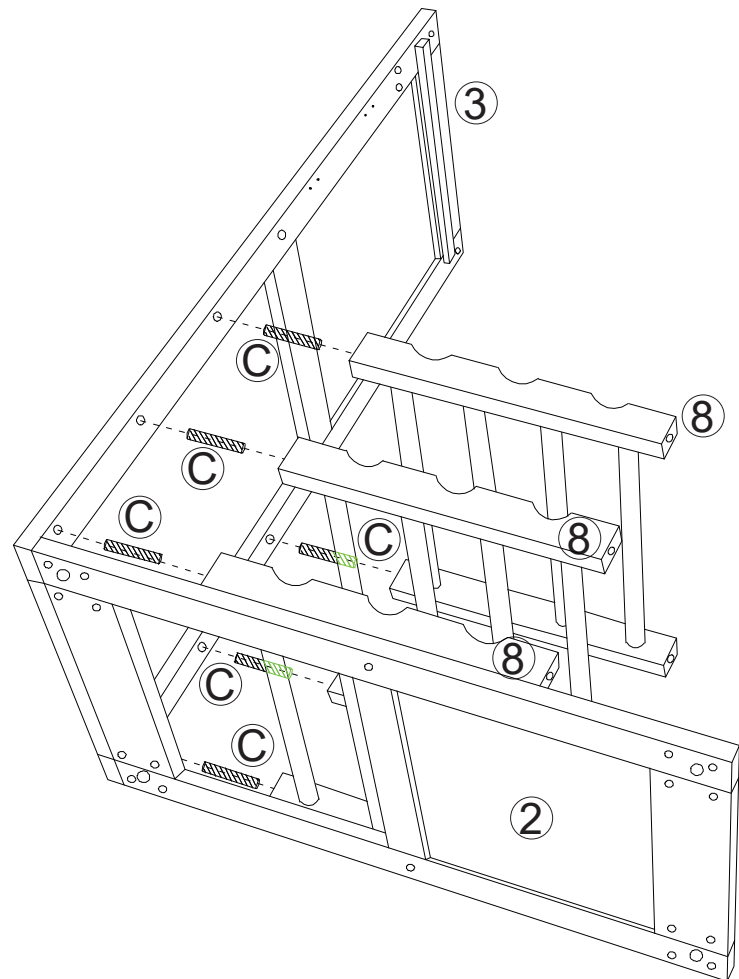
M6*45

F x 1



C x 6

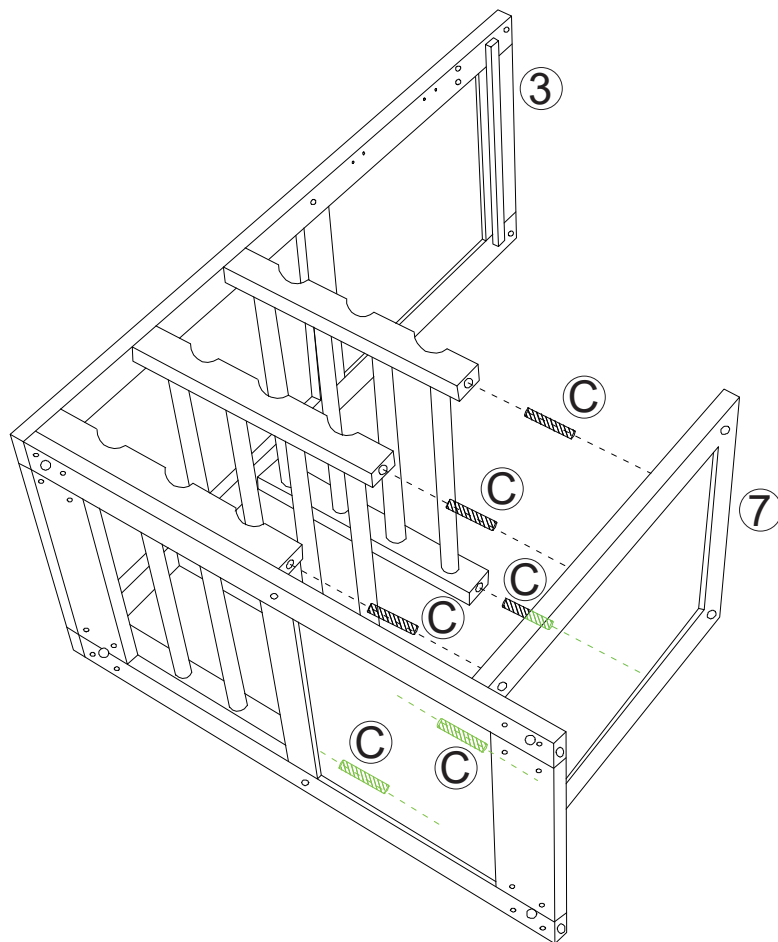
M6*30



C x 6



M6*30

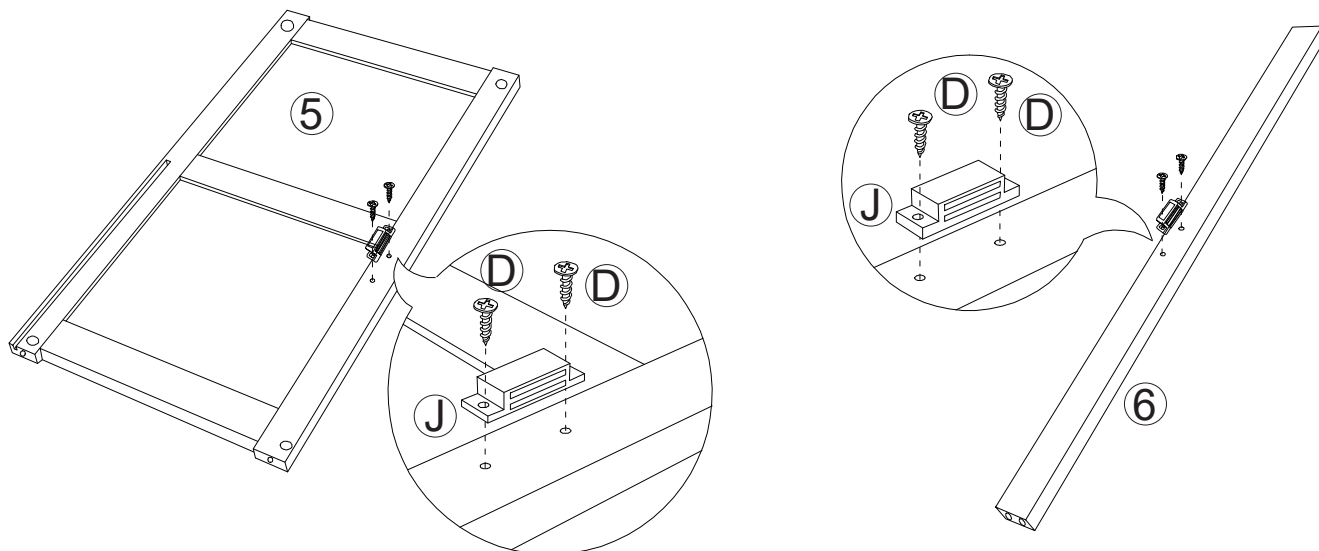
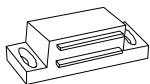


D x 4

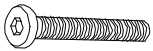


M3*12

J x 2

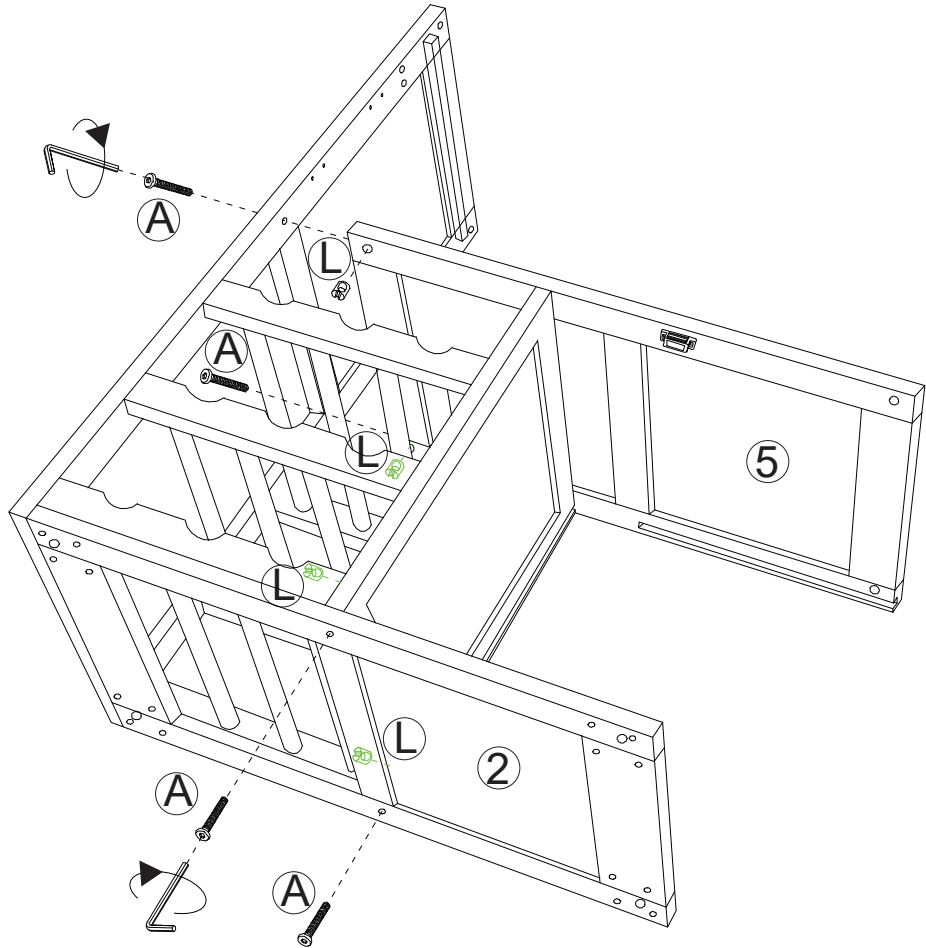


A x 4

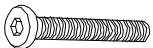


M6*45

L x 4

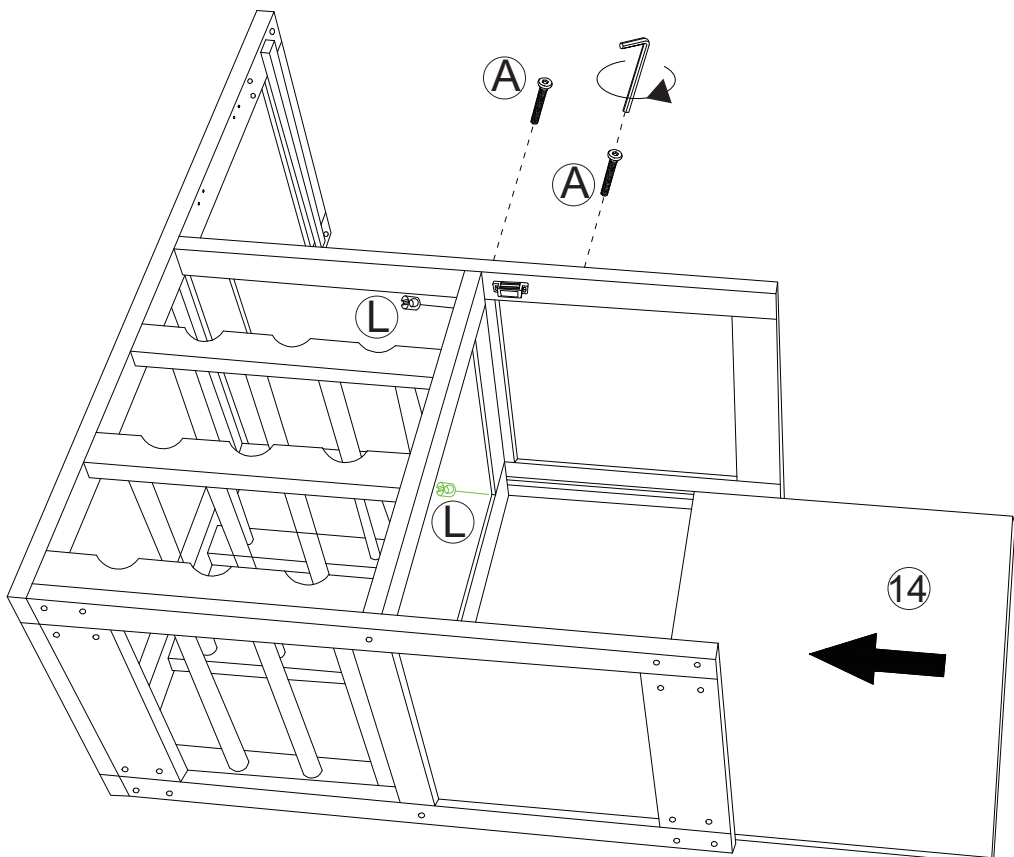


A x 2

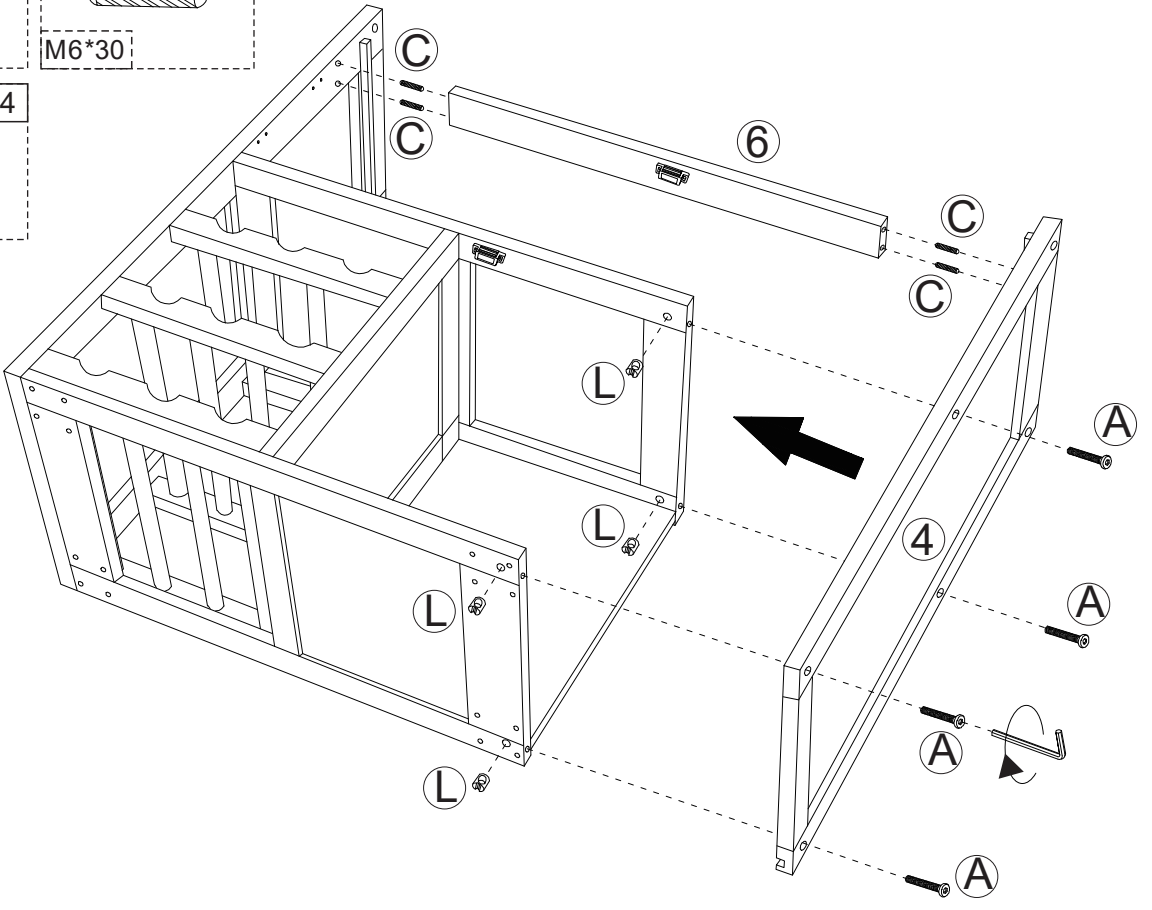
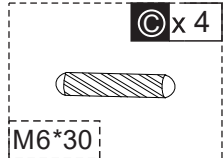


M6*45

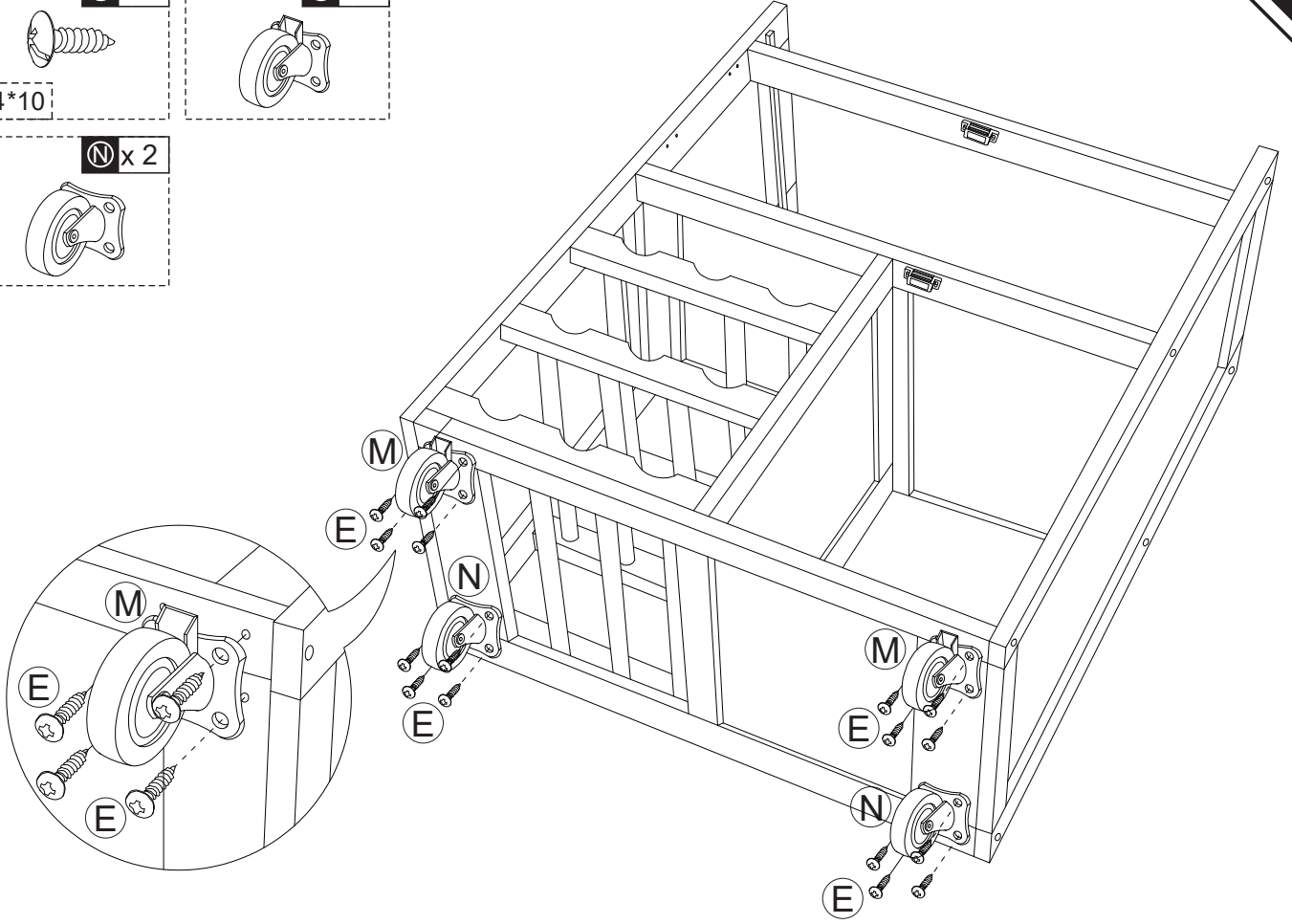
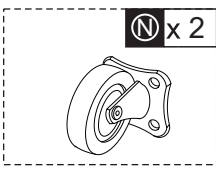
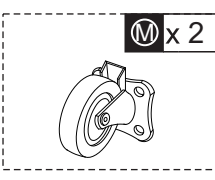
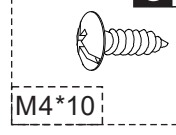
L x 2



- A** x 4
- C** x 4
- L** x 4



- E** x 16
- M** x 2
- N** x 2

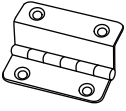


D x15

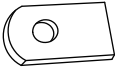


M3*12

G x6



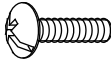
H x3



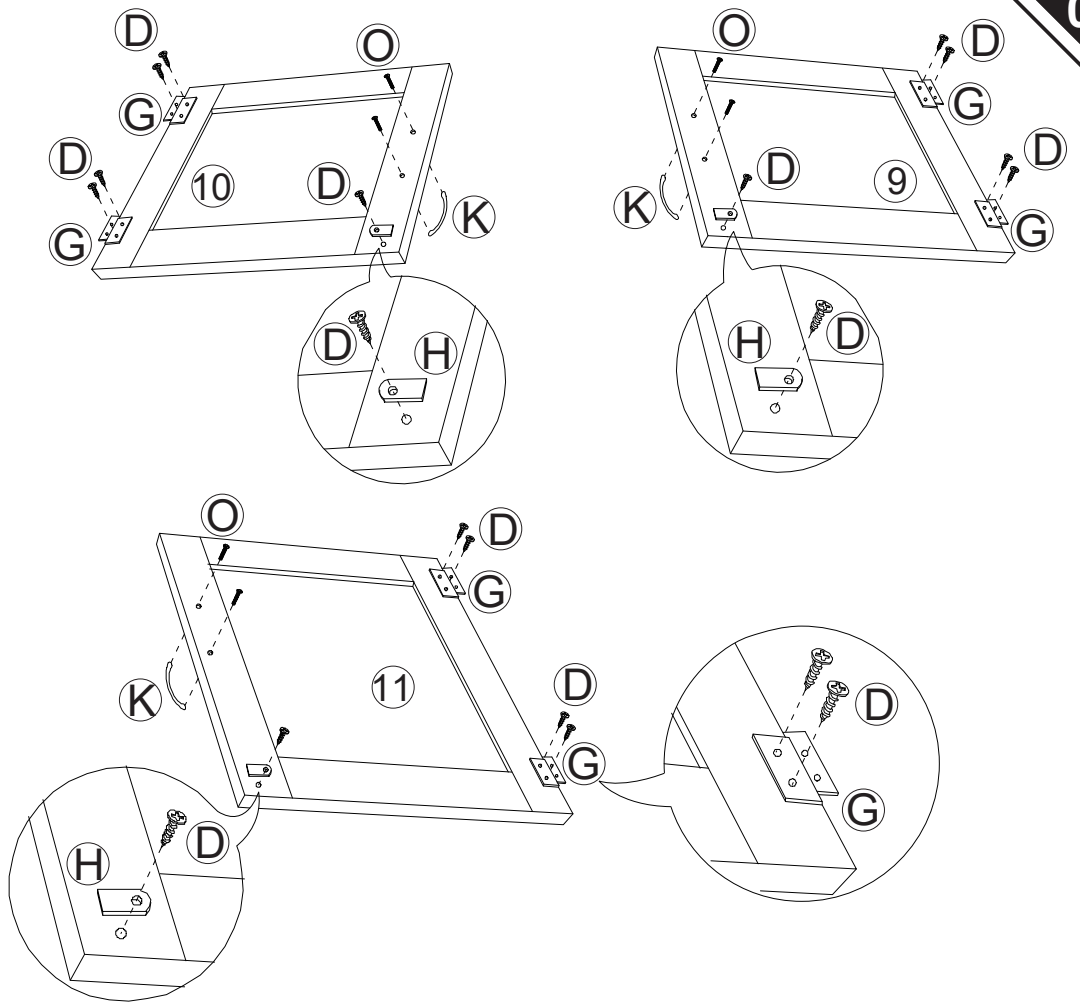
K x3



O x6



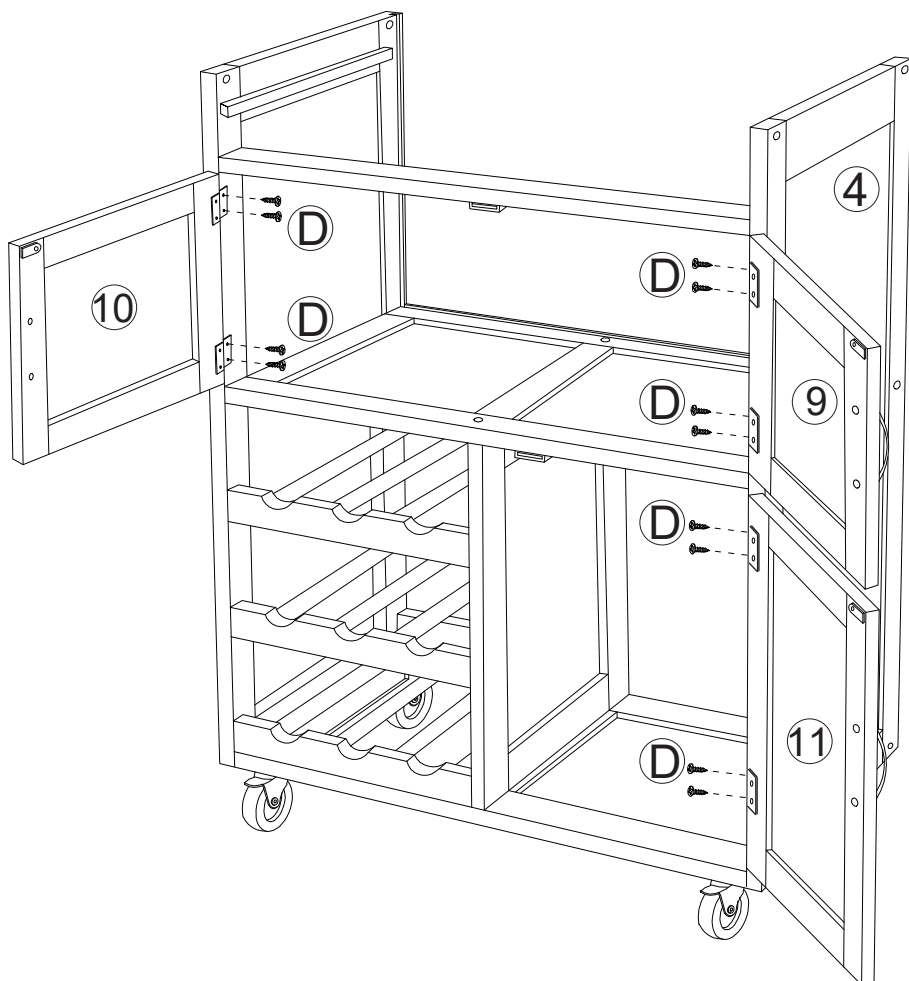
M4*16



D x12



M3*12

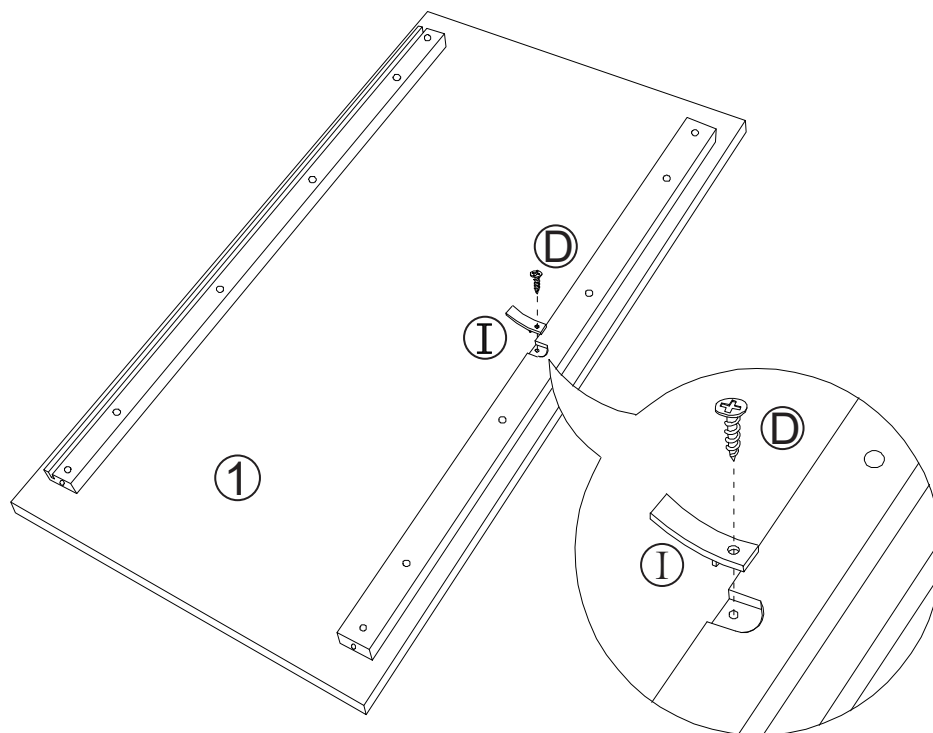


ⓓ x 1



M3*12

Ⓢ x 1

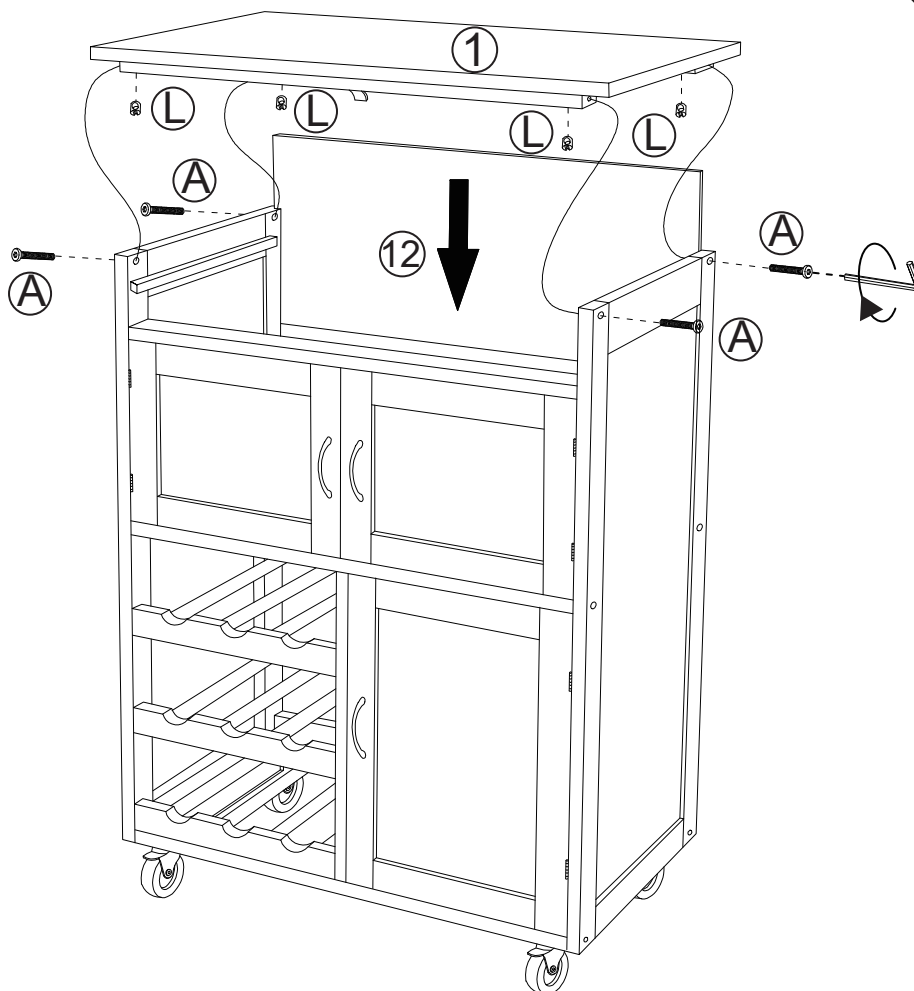




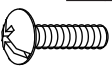
Ⓐ x 4



M6*45

Ⓛ x 4



- (B) x 8**

 M3*25
- (K) x 1**

- (O) x 2**

 M4*16

