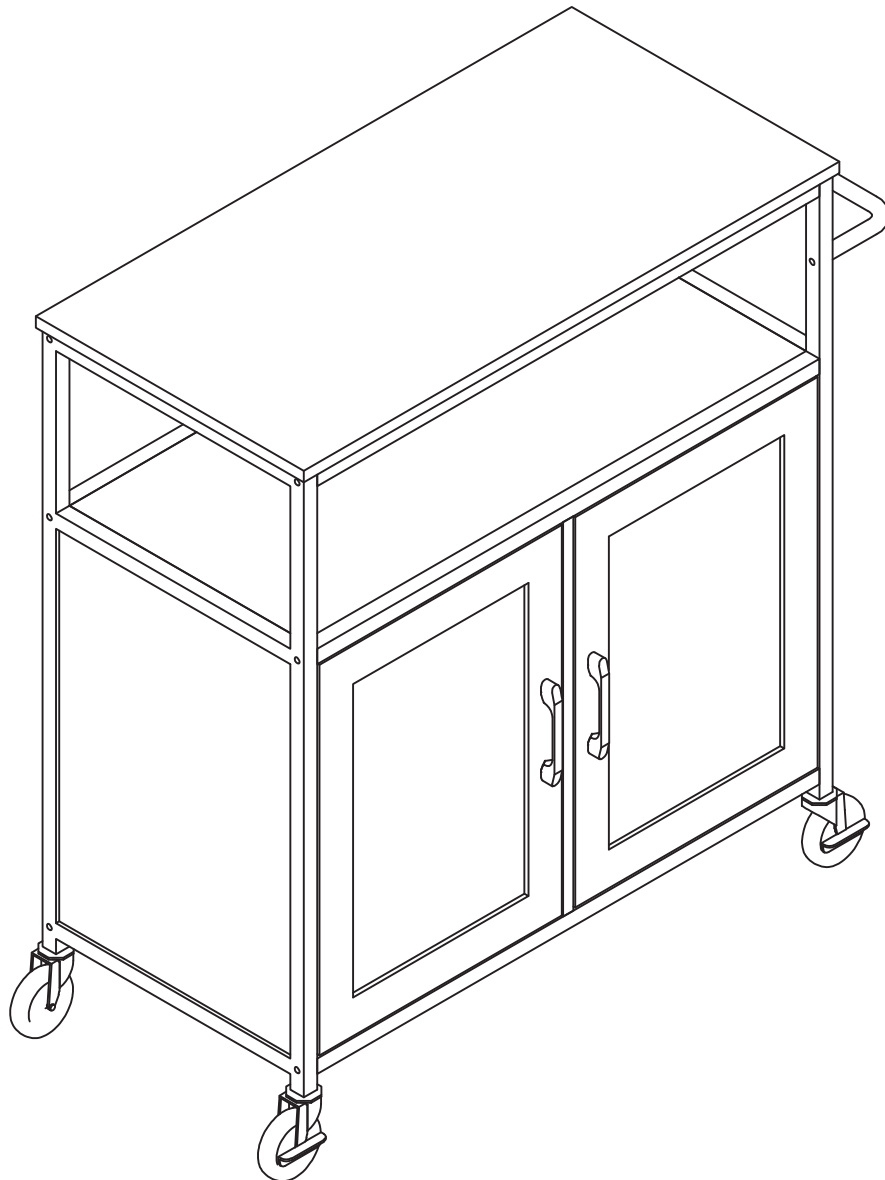




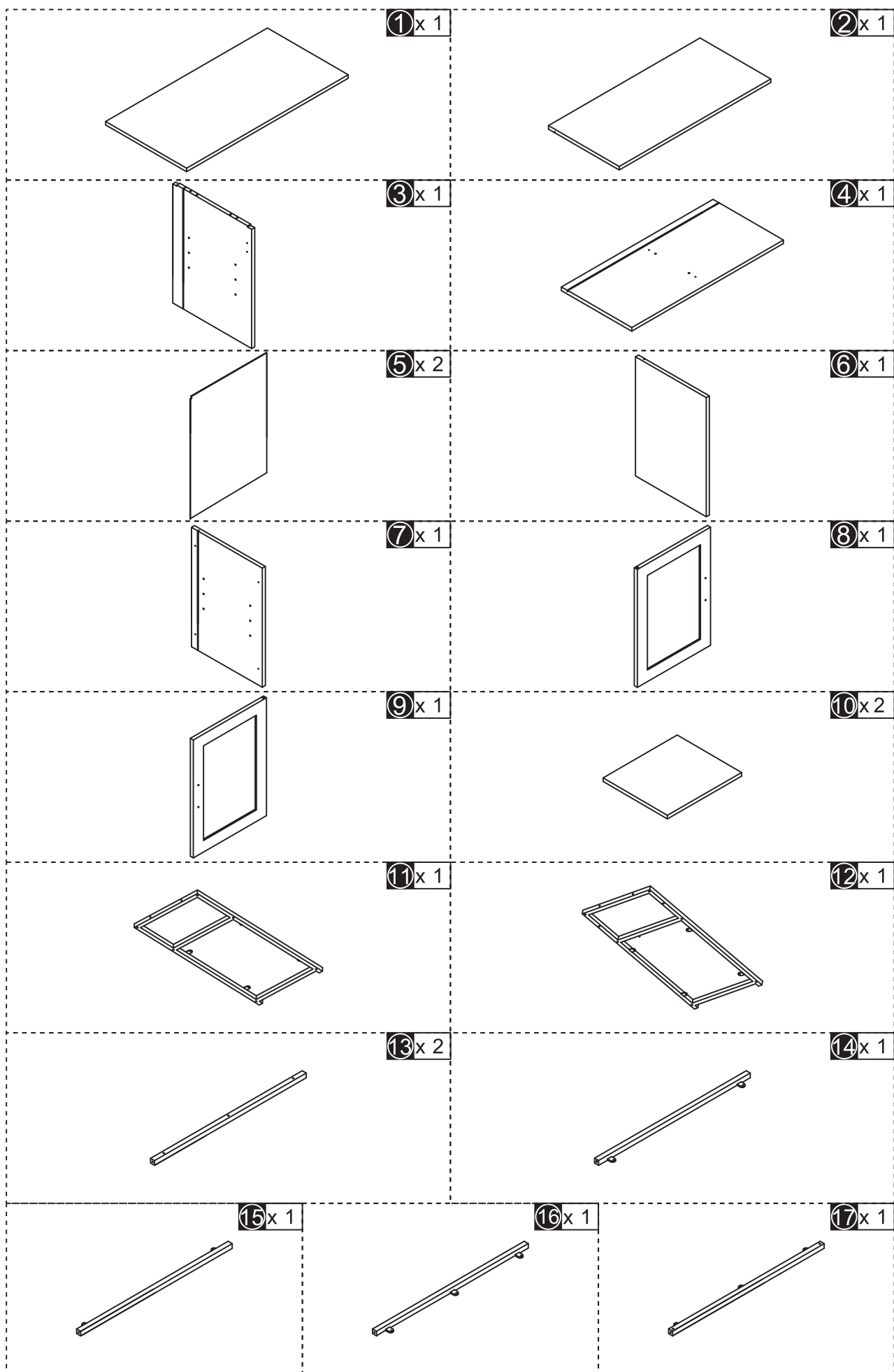
INccd108_GL






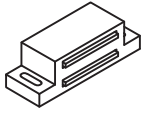


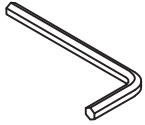
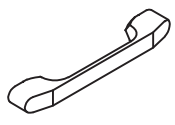

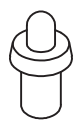



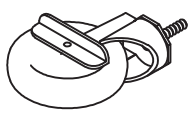

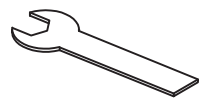
801-222



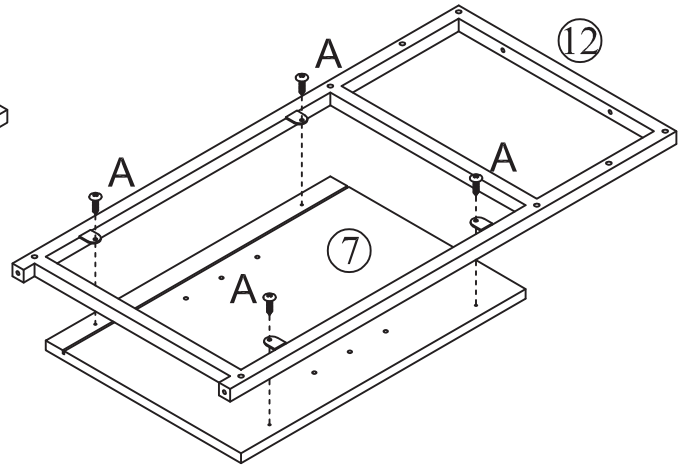
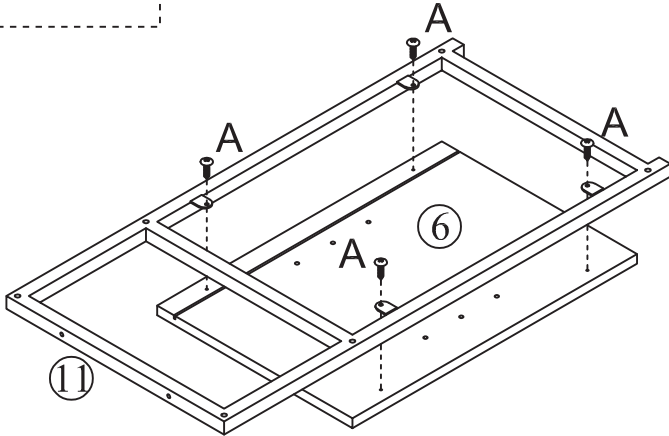
IMPORTANT, RETAIN FOR FUTURE REFERENCE: READ CAREFULLY

ASSEMBLY & INSTRUCTION MANUAL



<p>A x18 +1(spare)</p>  <p>M4*12</p>	<p>B x 2</p> 
<p>C x 2</p> 	<p>D x 4</p> 
<p>E x12 +1(spare)</p>  <p>M4*30</p>	<p>F x 2</p> 
<p>G x 4</p>  <p>M3*14</p>	<p>H x14 +1(spare)</p>  <p>M6*35</p>
<p>I x 1</p> 	<p>J x 2</p> 
<p>K x 4</p>  <p>M4*20</p>	<p>L x 4</p> 
<p>M x 2</p>  <p>M3*12</p>	<p>N x 2</p> 
<p>O x 8 +1(spare)</p> 	<p>P x 2</p> 
<p>Q x 2</p> 	<p>R x 1</p> 

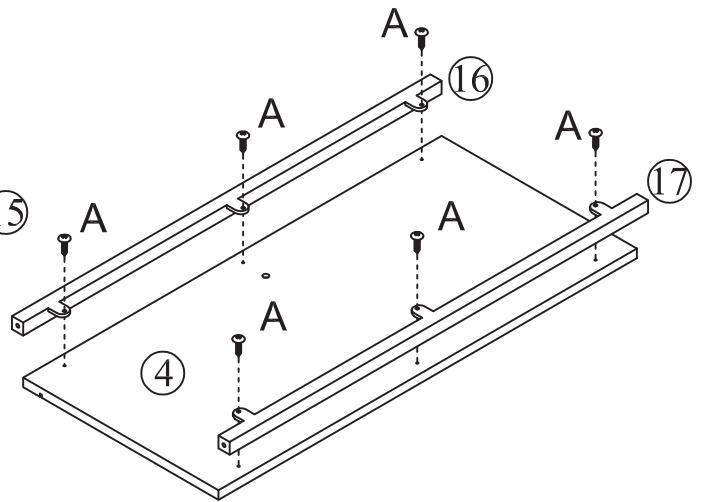
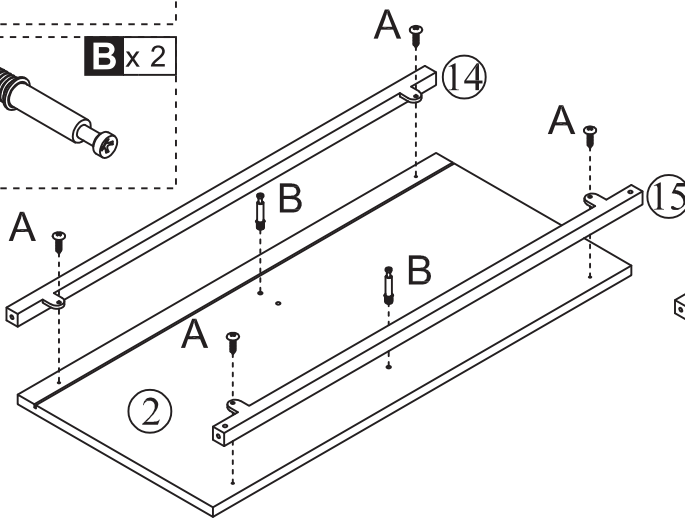
A x 8



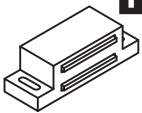
A x 10



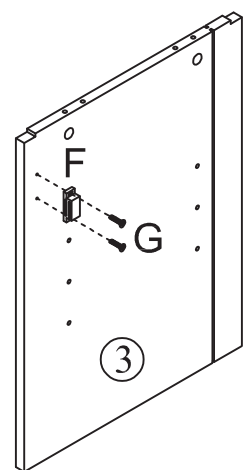
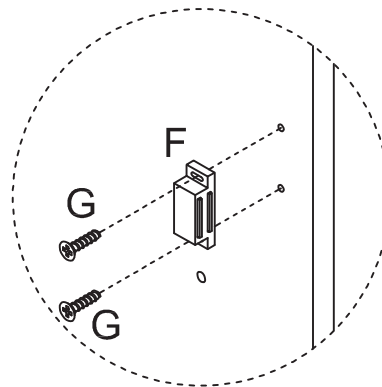
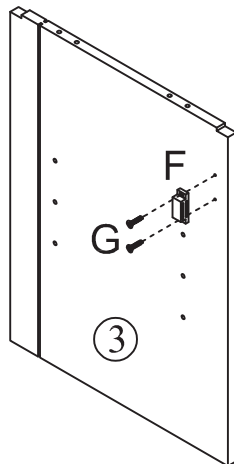
B x 2



F x 2



G x 4

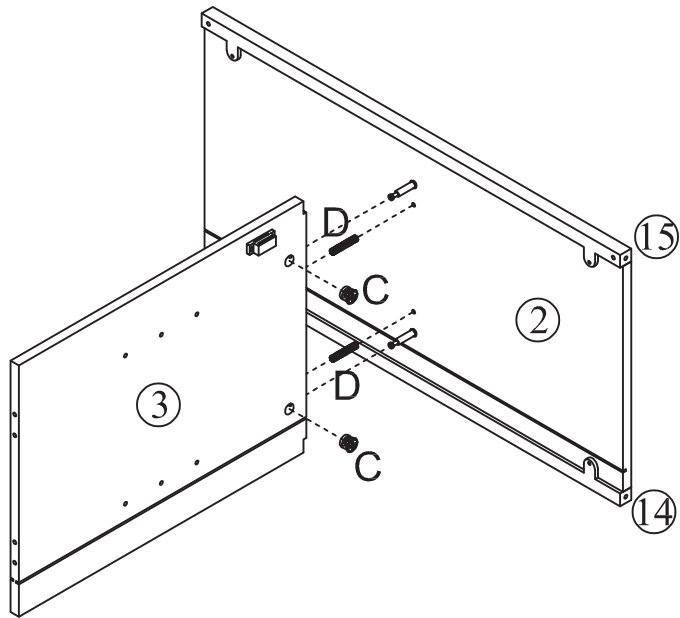


04

C x 2



D x 2

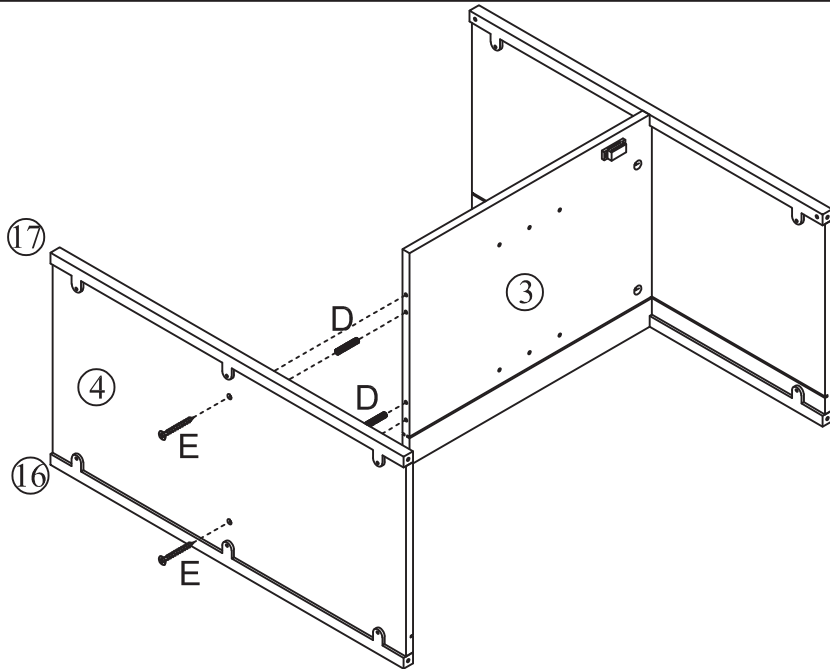


05

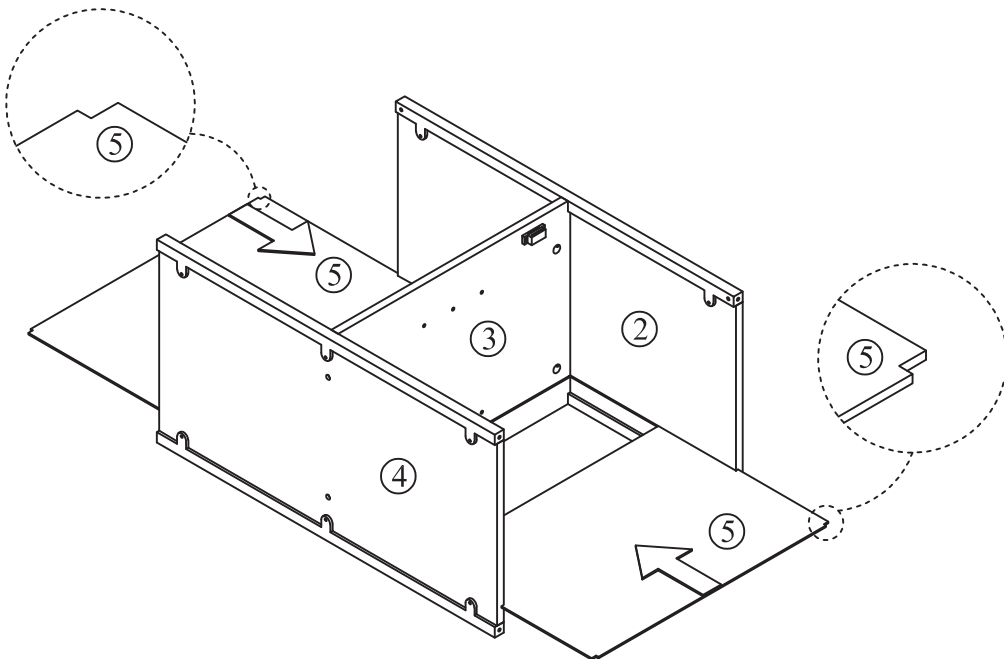
D x 2



E x 2



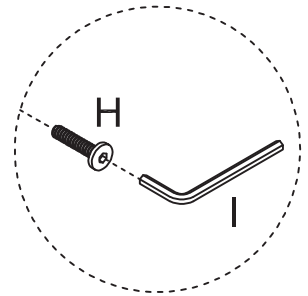
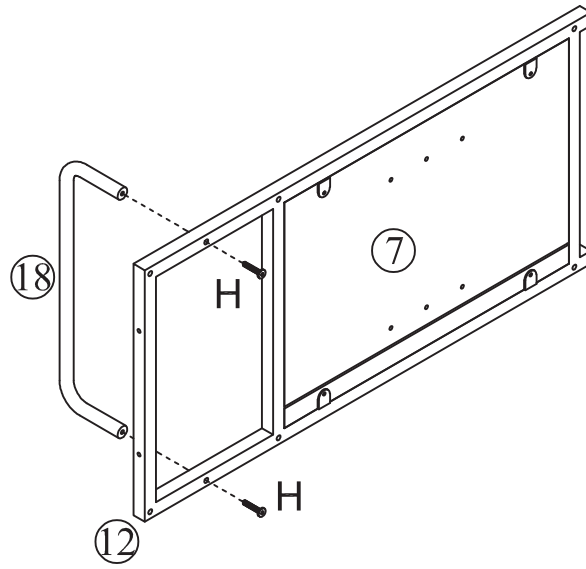
06



H x 2



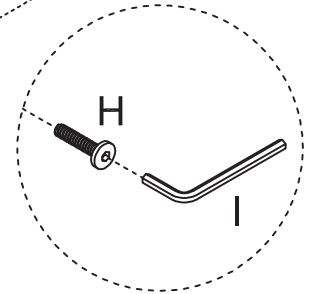
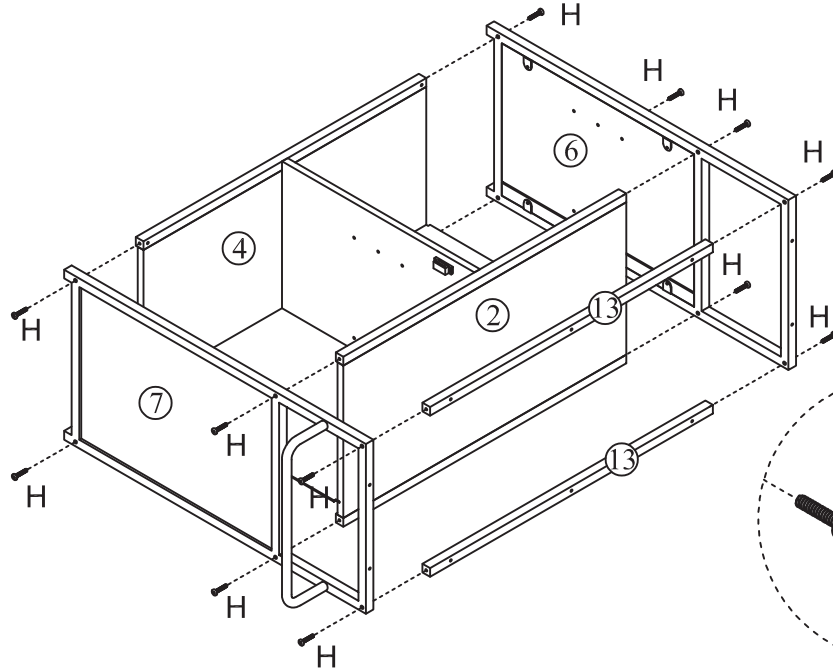
I x 1



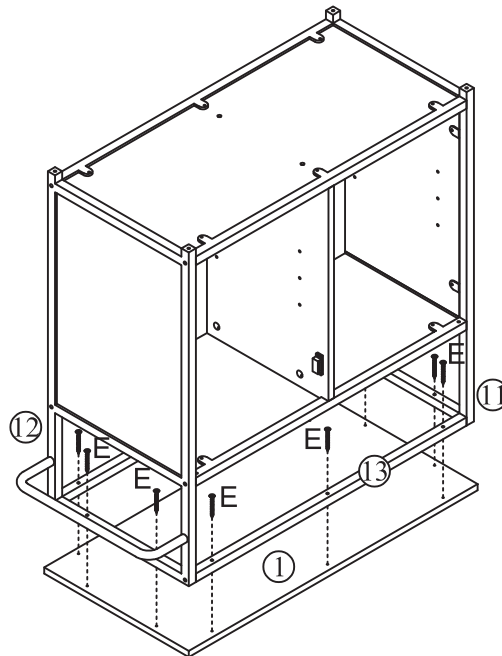
H x 12

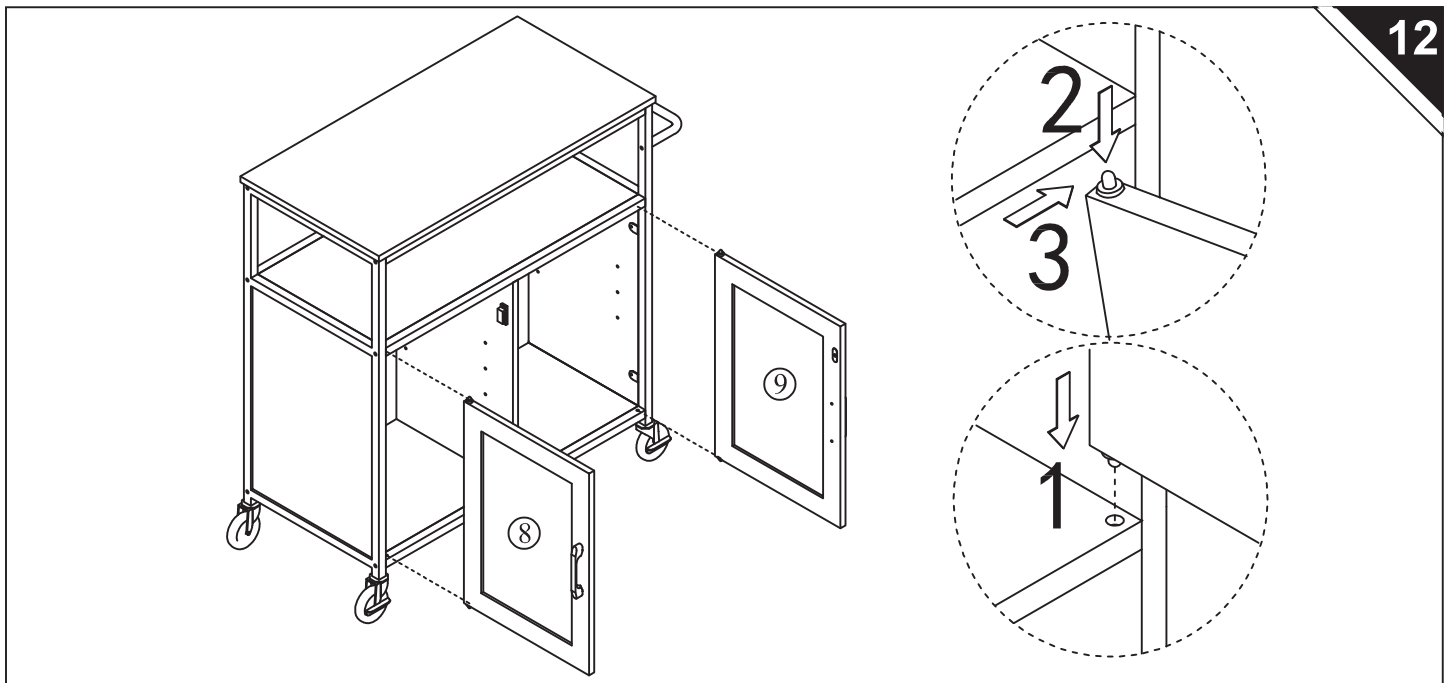
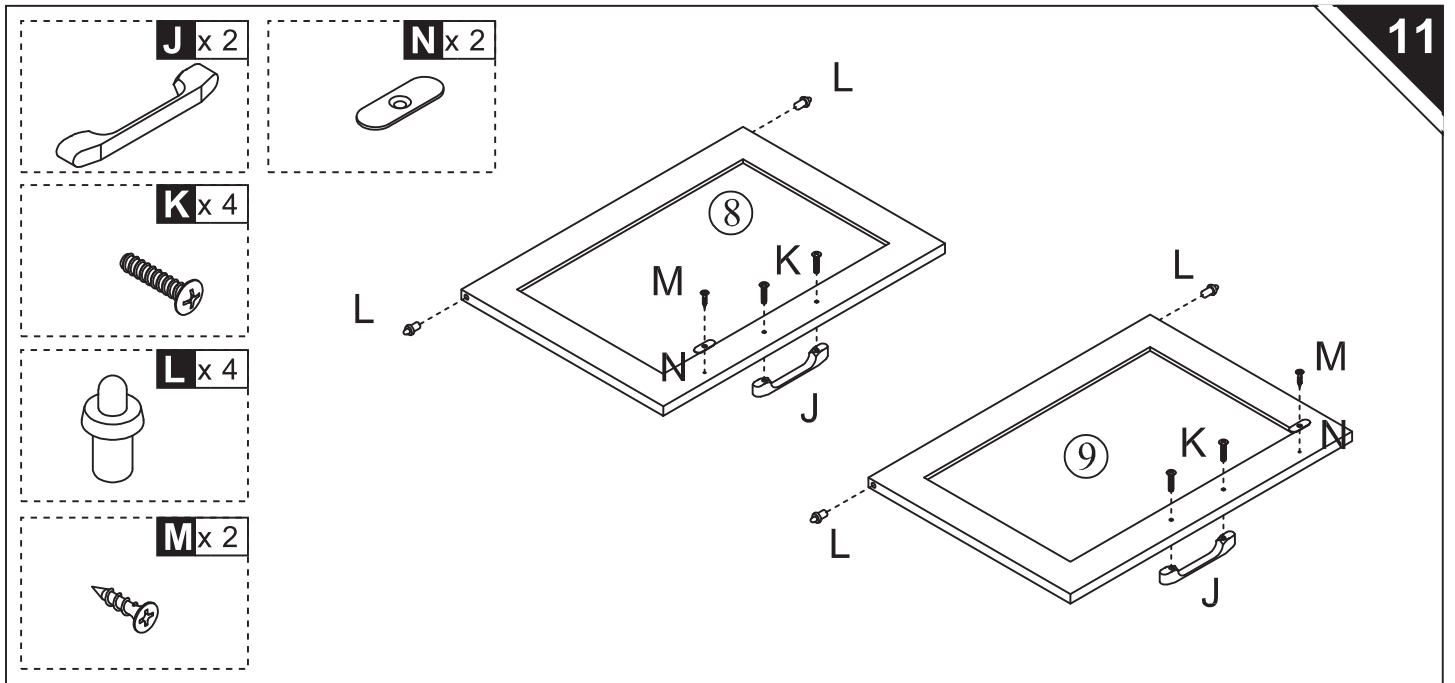
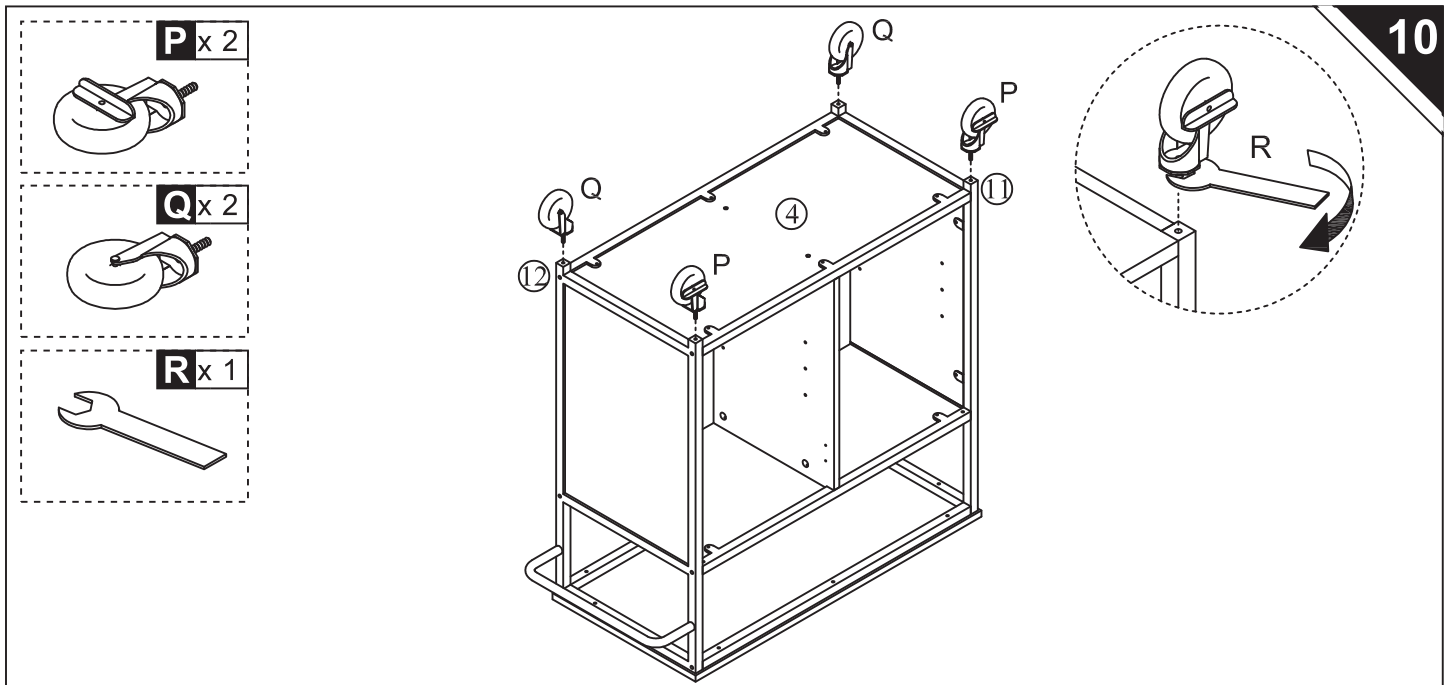


I x 1



E x 10





○x 8

