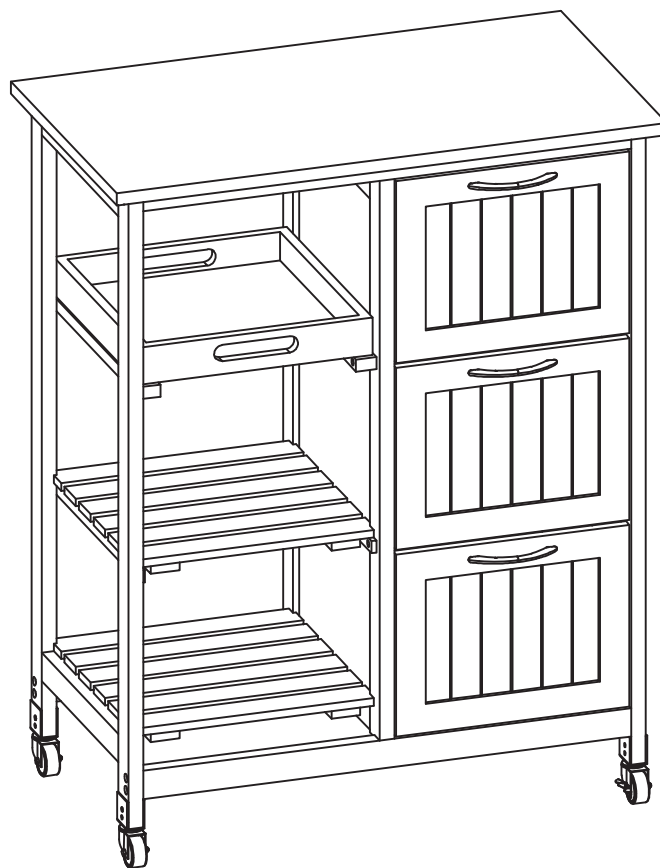




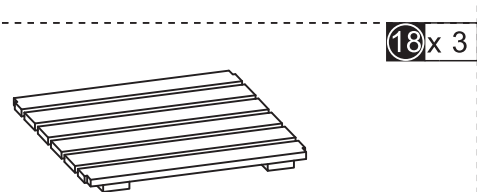
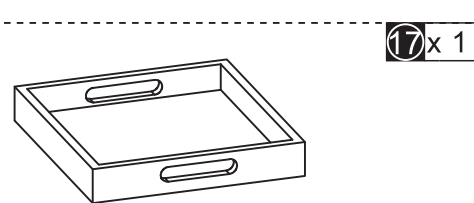
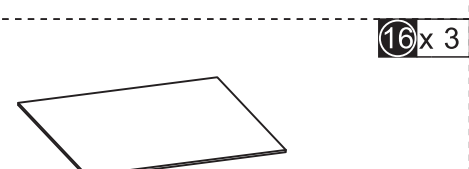
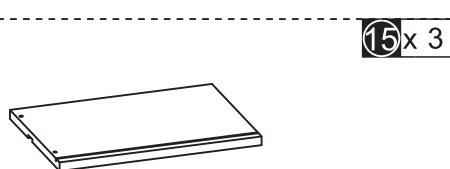
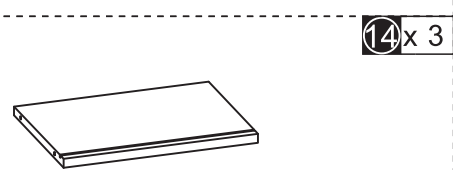
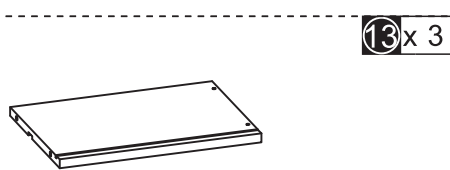
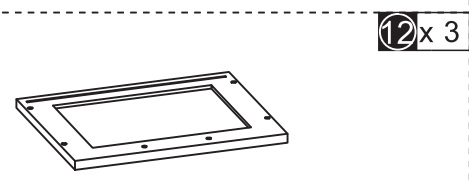
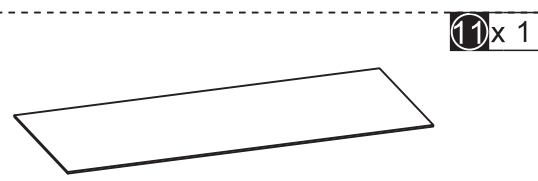
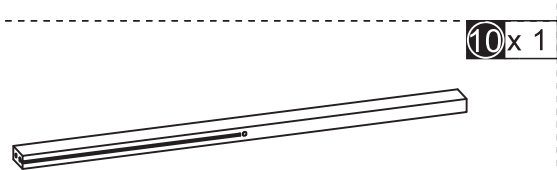
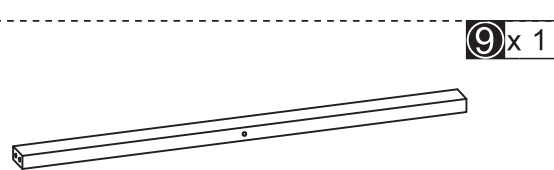
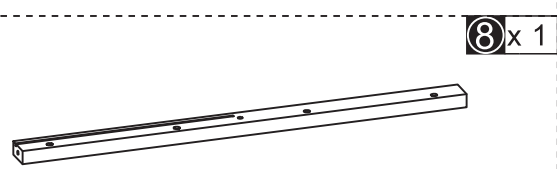
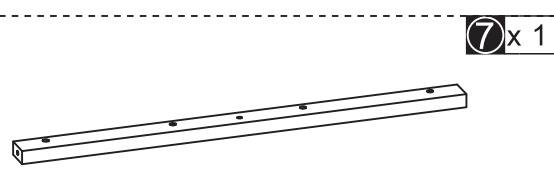
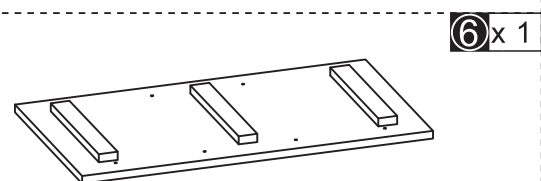
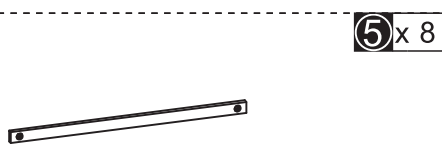
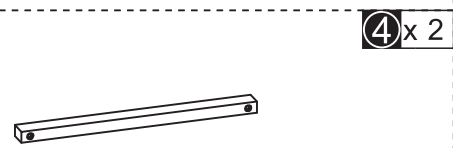
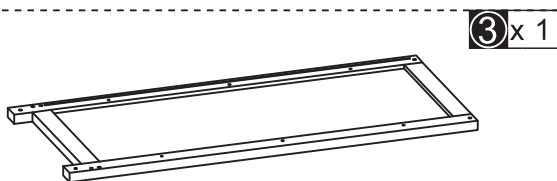
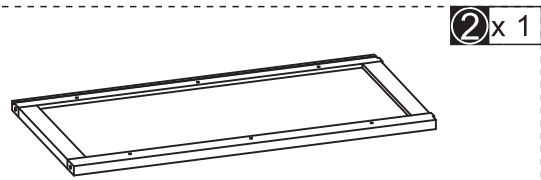
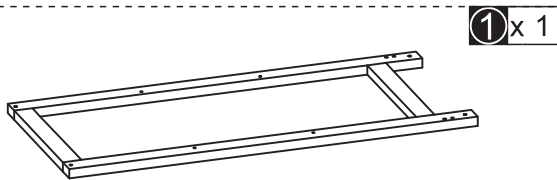
INccd109_GL

801-221



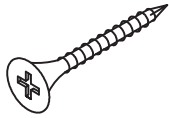
IMPORTANT, RETAIN FOR FUTURE REFERENCE: READ CAREFULLY

ASSEMBLY & INSTRUCTION MANUAL



A x16

+1(spare)



B x16

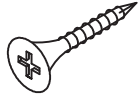
+1(spare)



M4*35

C x 8

+1(spare)



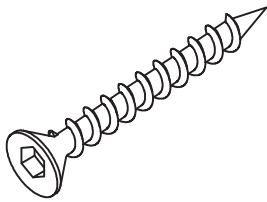
D x 2



M4*25

E x14

+1(spare)



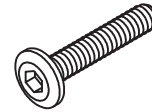
F x 2



M5*45

G x 2

H x 4



I x 4

J x 3

M6*30

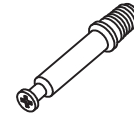


K x 6

+1(spare)

L x12

+1(spare)



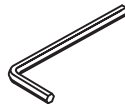
M4*15

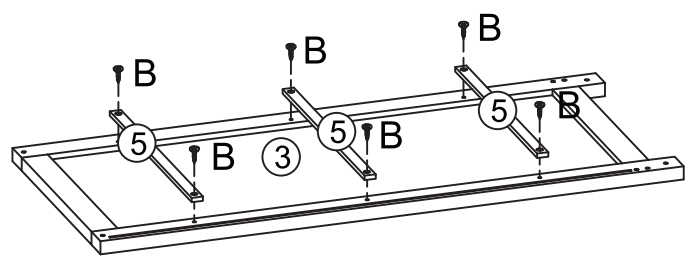
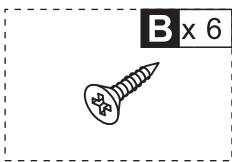
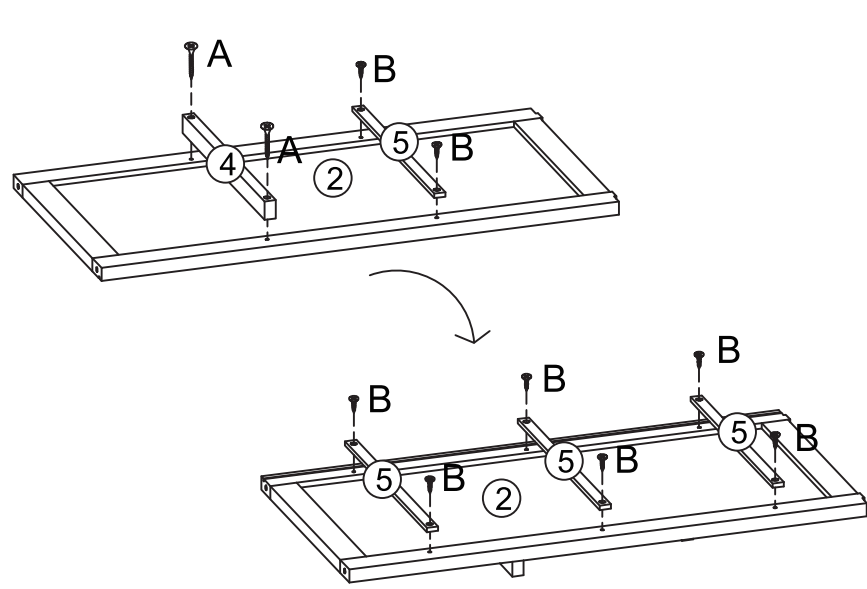
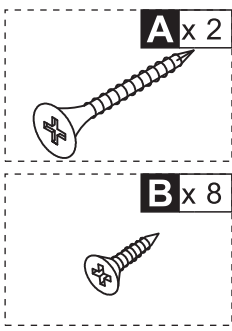
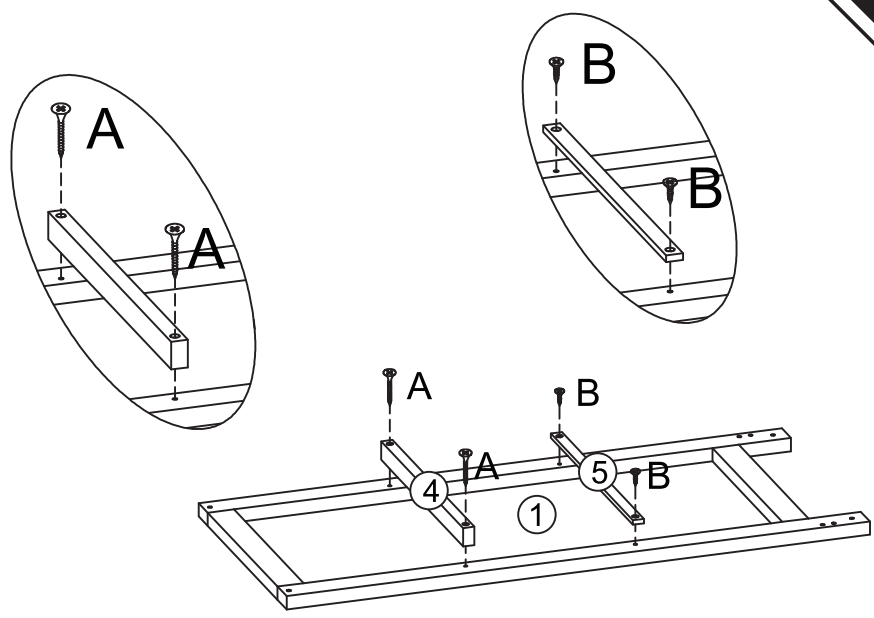
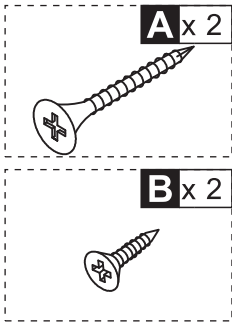
M x12

+1(spare)

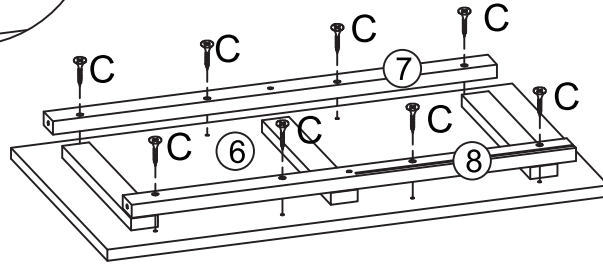
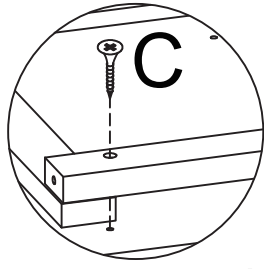
N x 1

O x 1





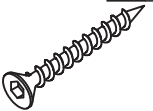
C x 8



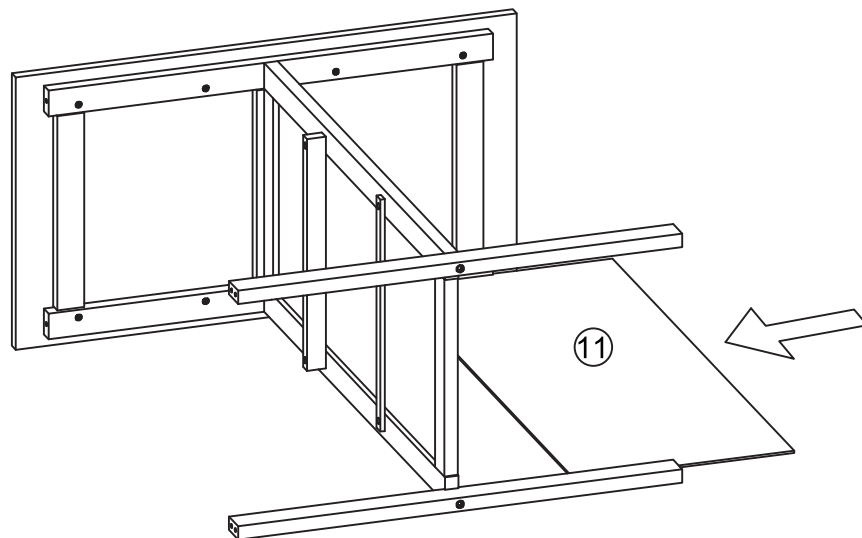
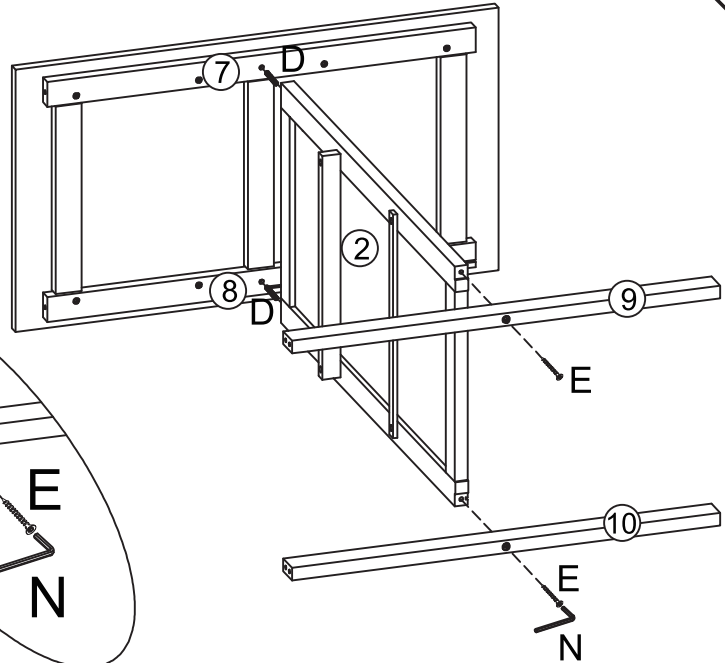
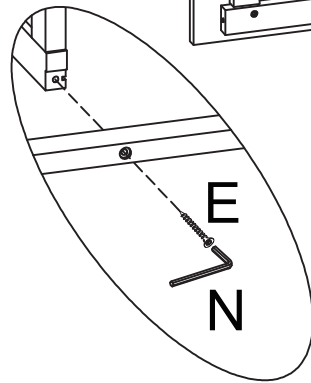
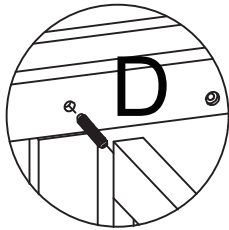
D x 2



E x 2



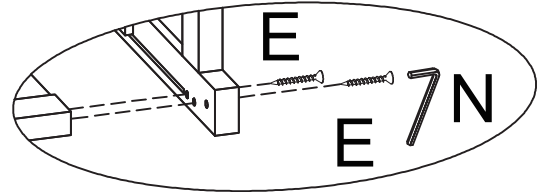
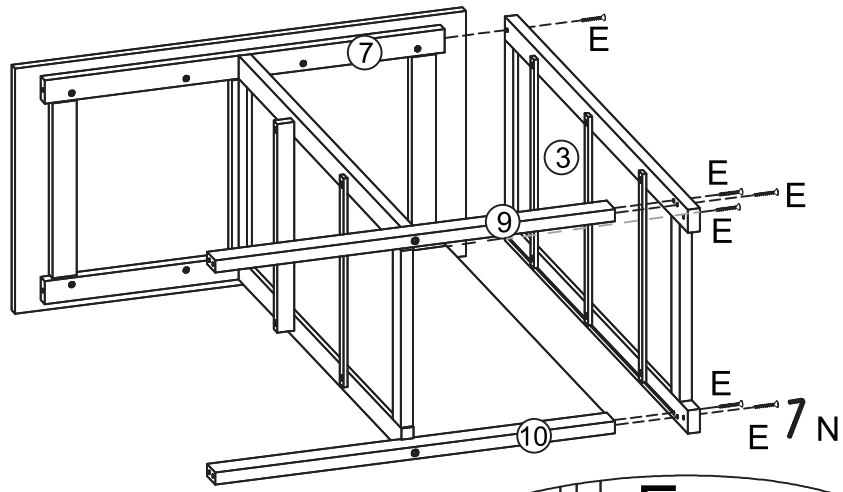
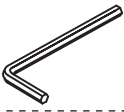
N x 1



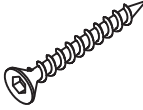
E x 6



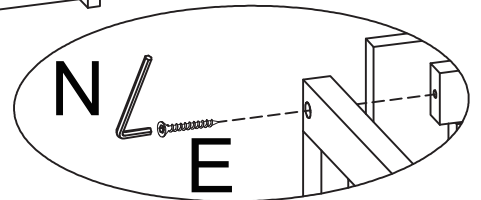
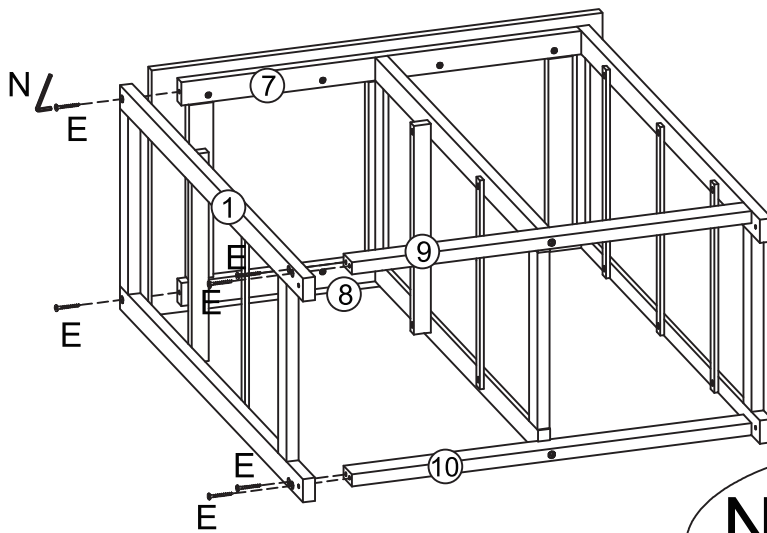
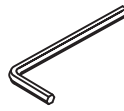
N x 1



E x 6



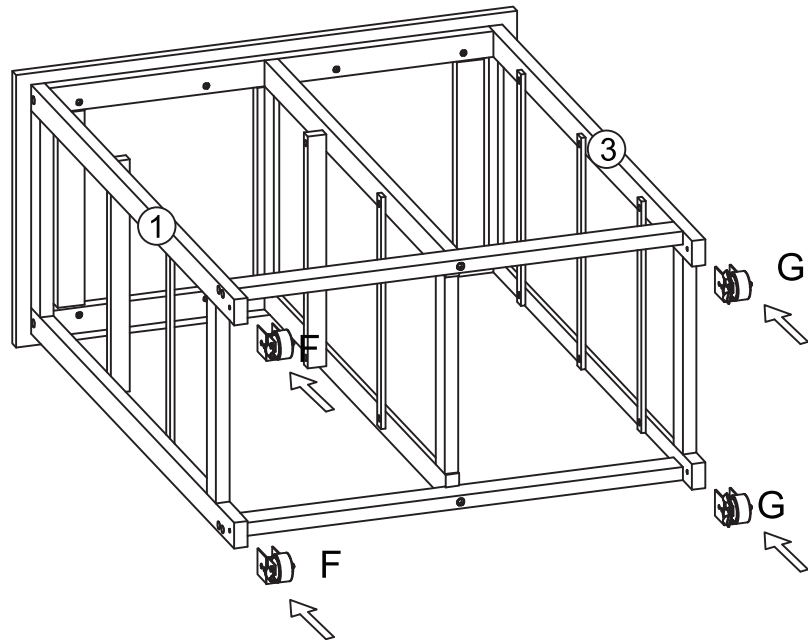
N x 1

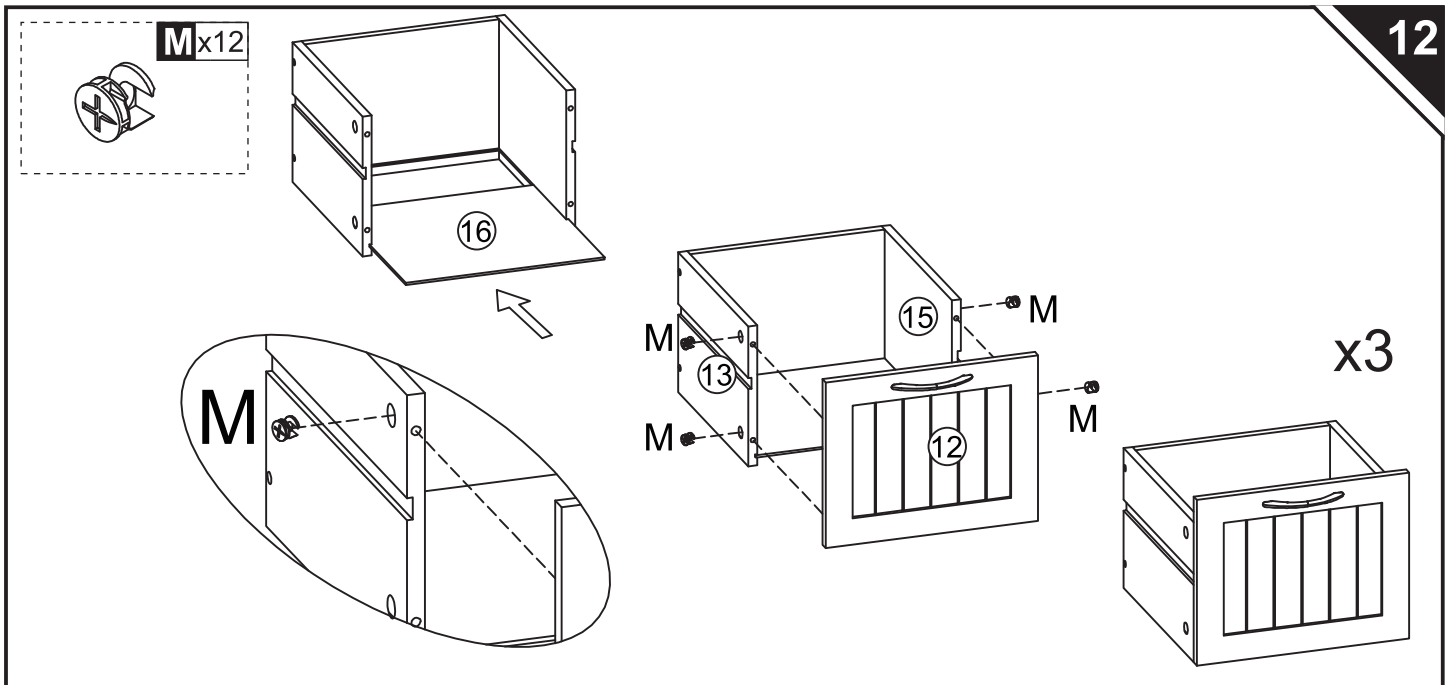
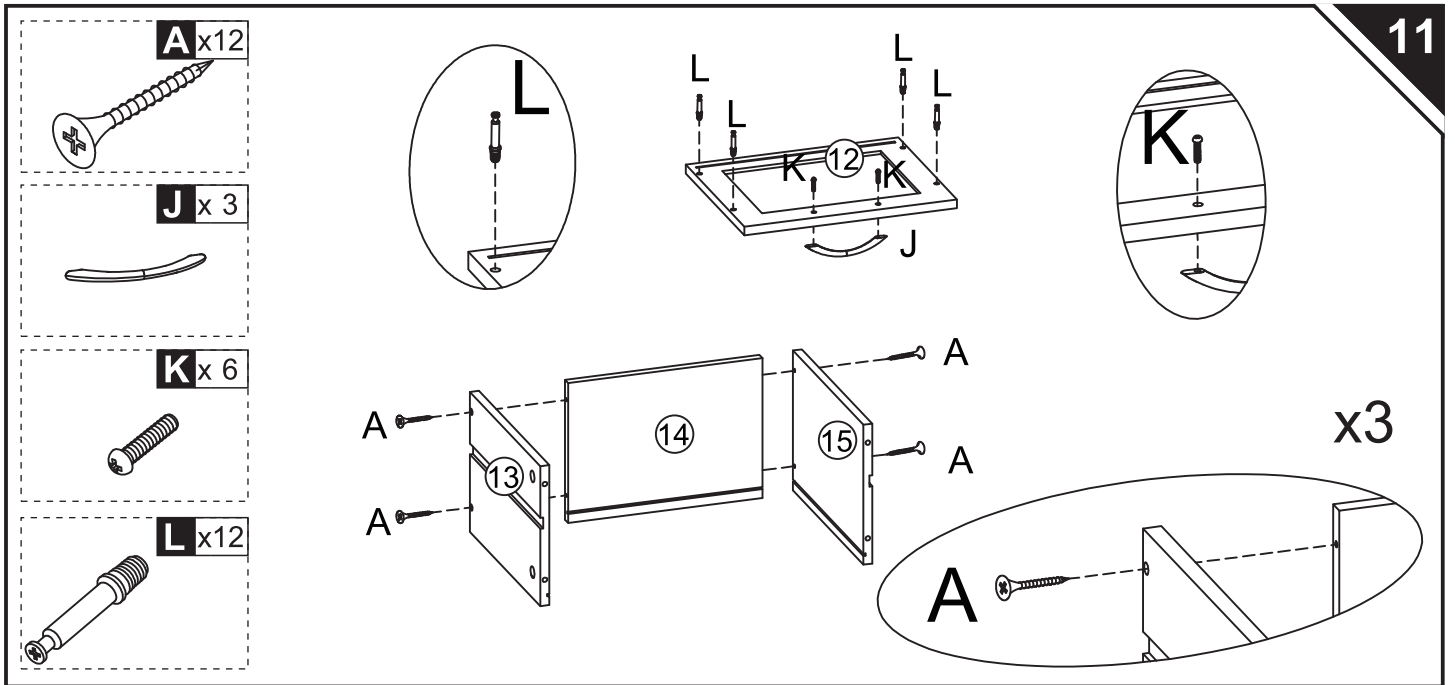
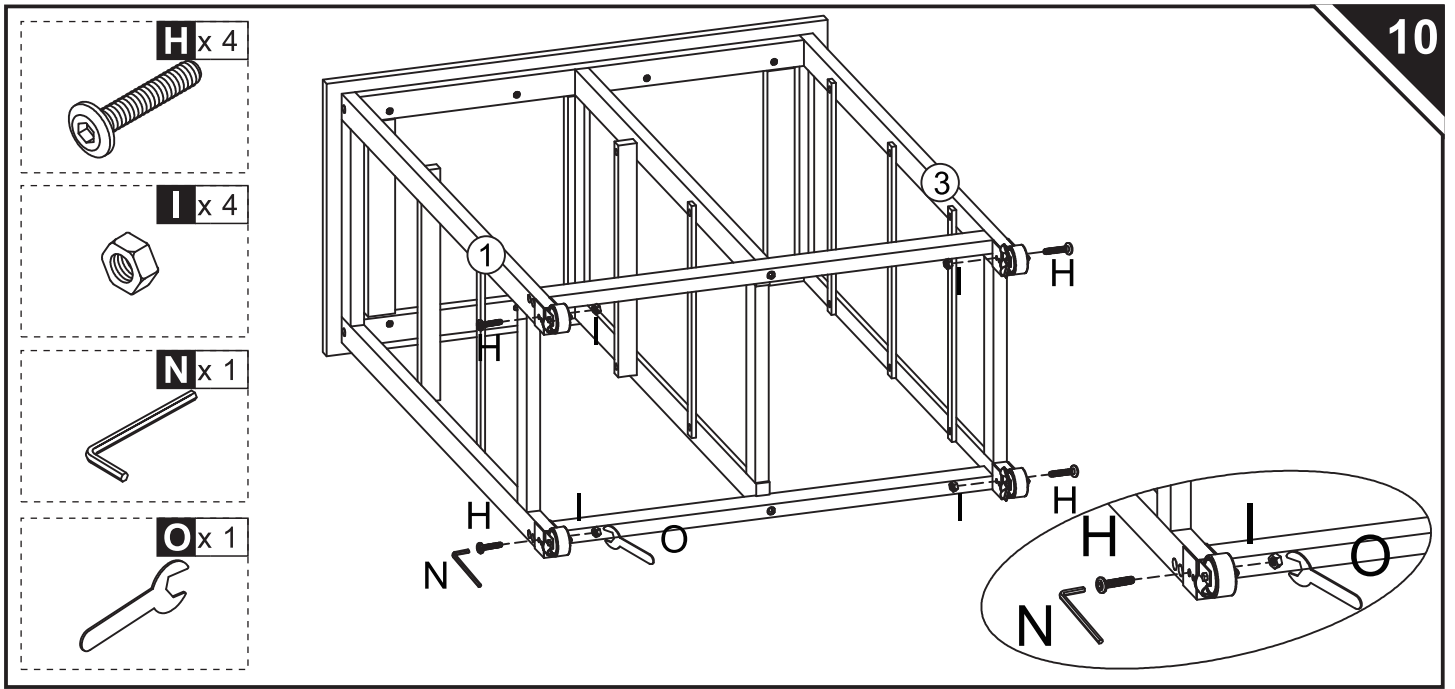


F x 2

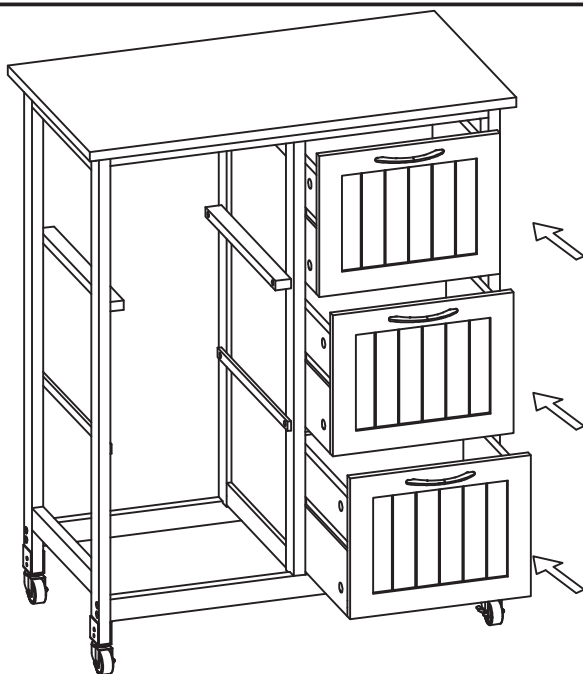


G x 2

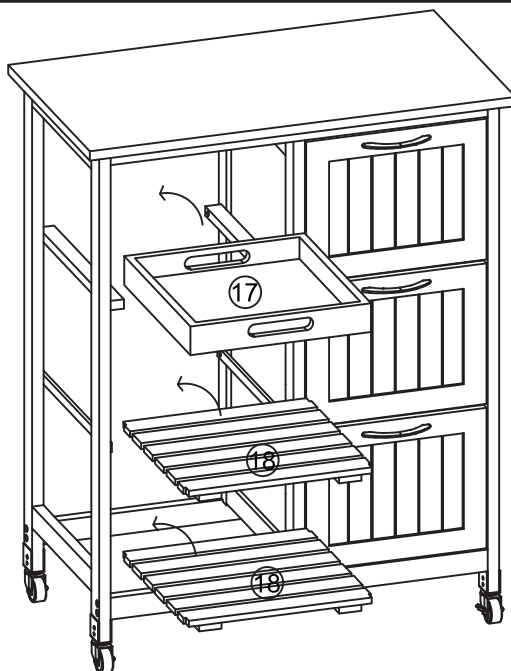




13



14



Done

