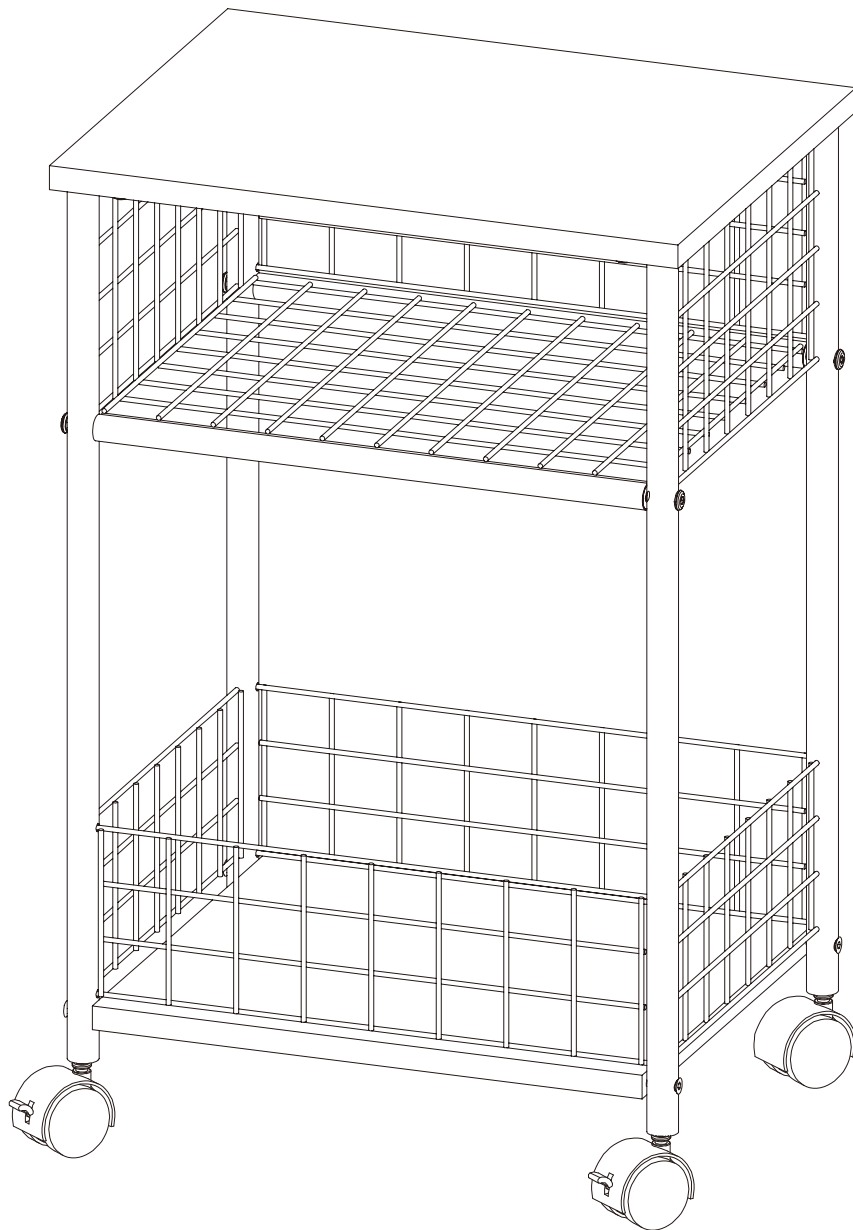




INccd127\_GL

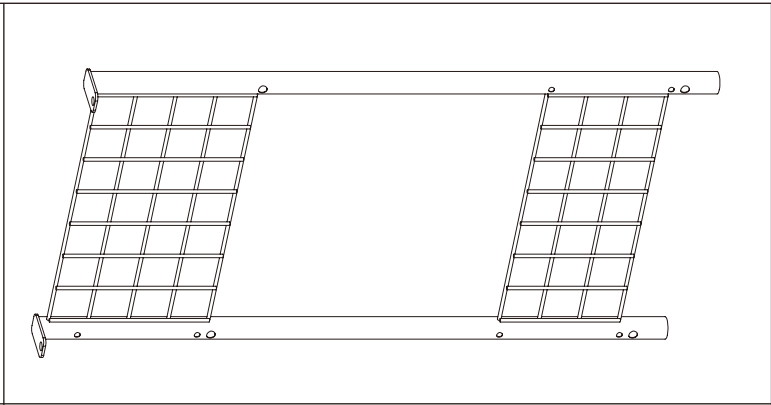
**801-261**



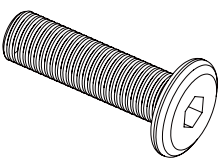
**IMPORTANT, RETAIN FOR FUTURE REFERENCE: READ CAREFULLY**

# ASSEMBLY & INSTRUCTION MANUAL

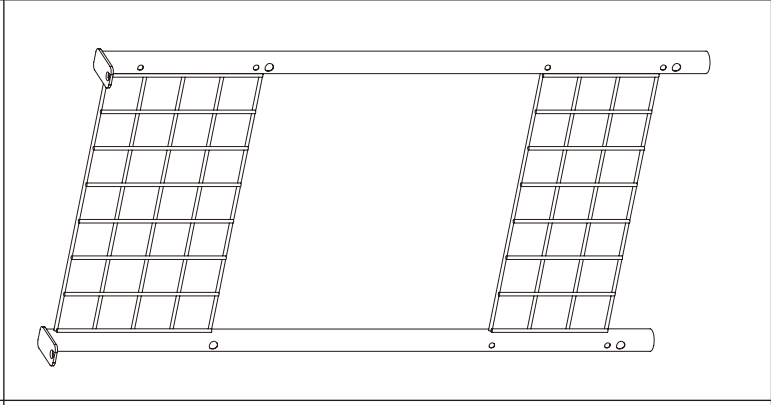
**1**  
1 Pc



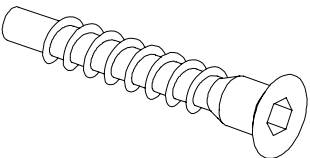
**A** 4 Pcs



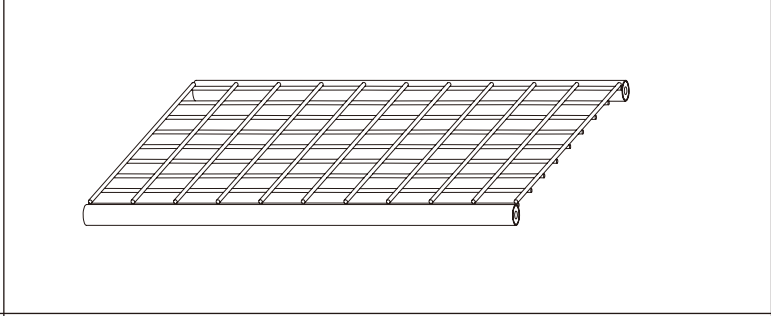
**2**  
1 Pc



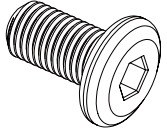
**B** 4 Pcs



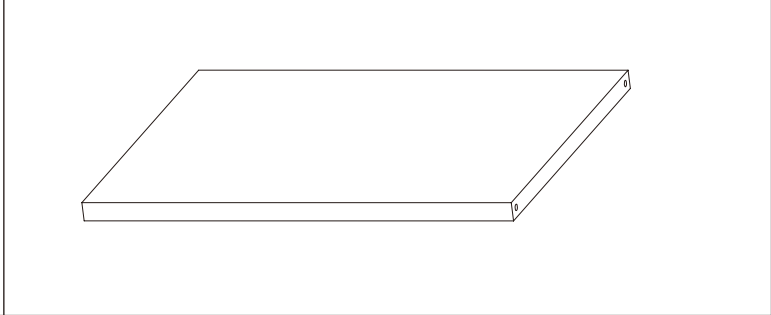
**3**  
1 Pc



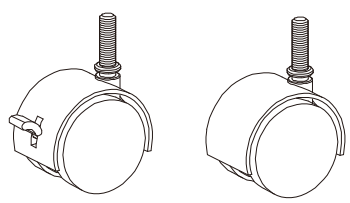
**C** 4 Pcs



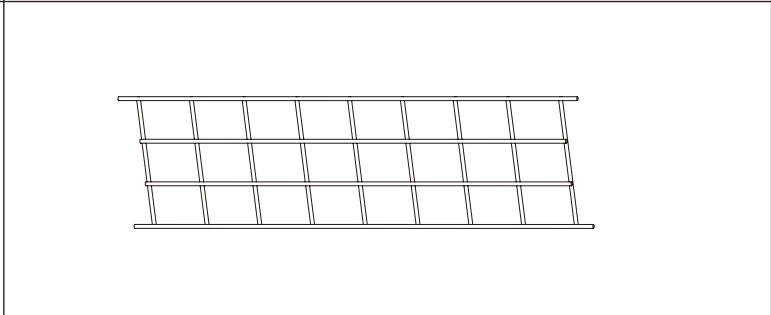
**4**  
1 Pc



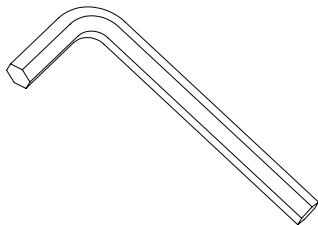
**D** 2 Pcs / 2 Pcs



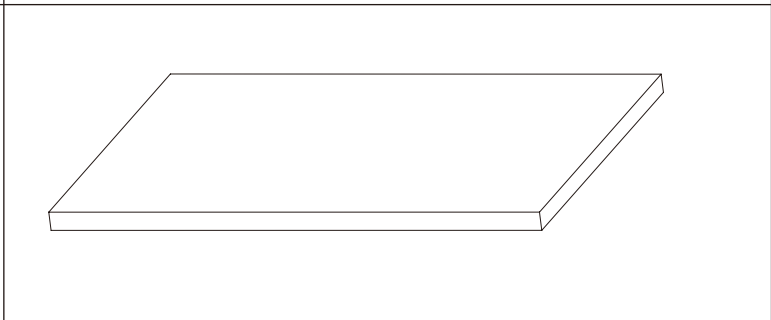
**5**  
3 Pcs

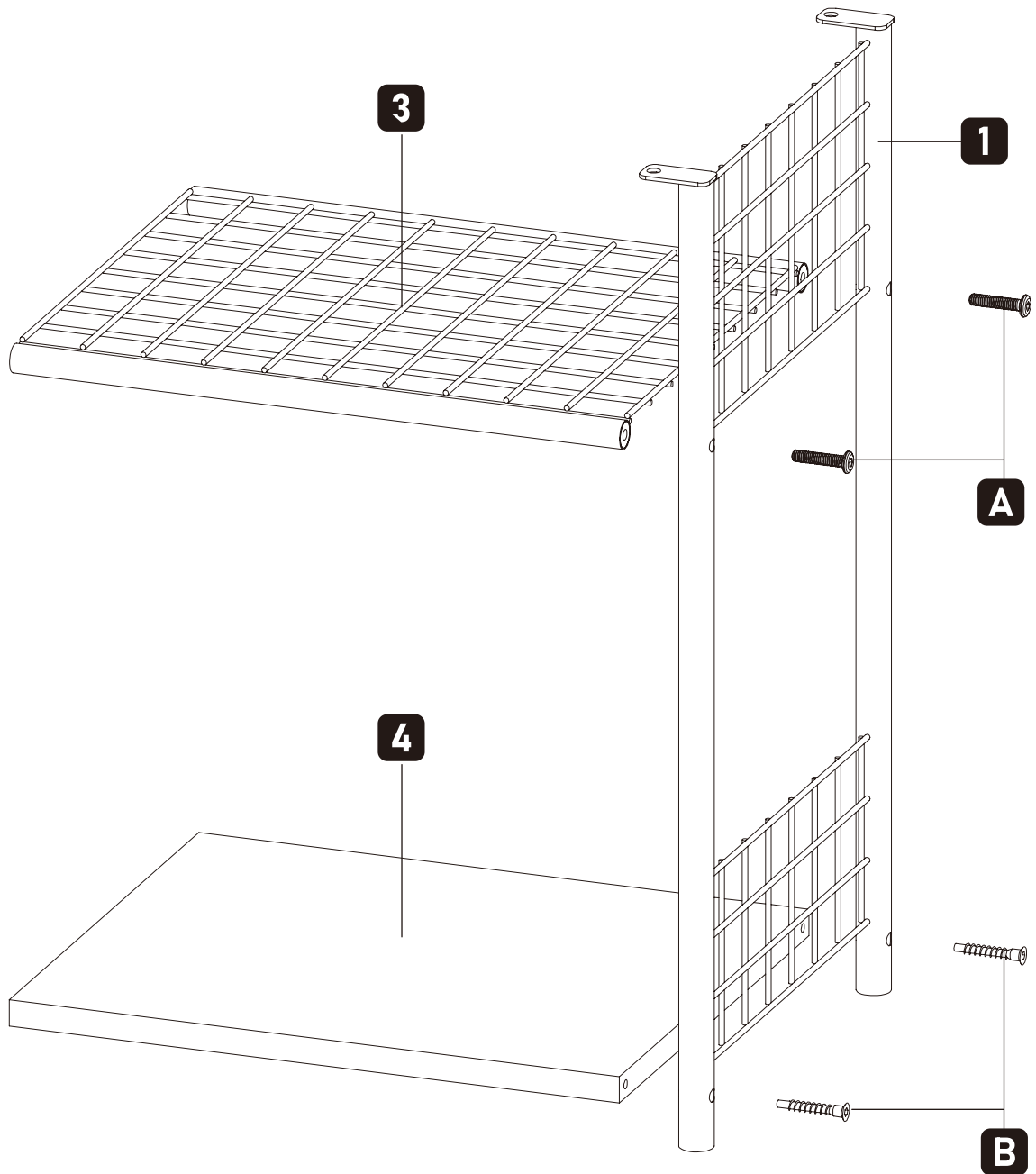
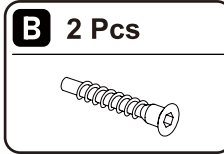
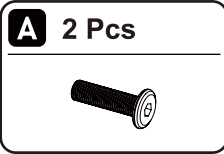
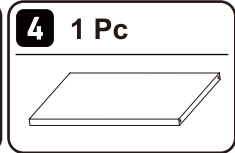
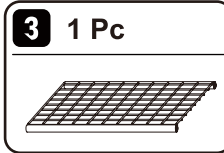
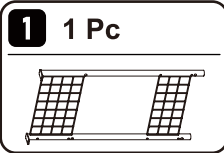


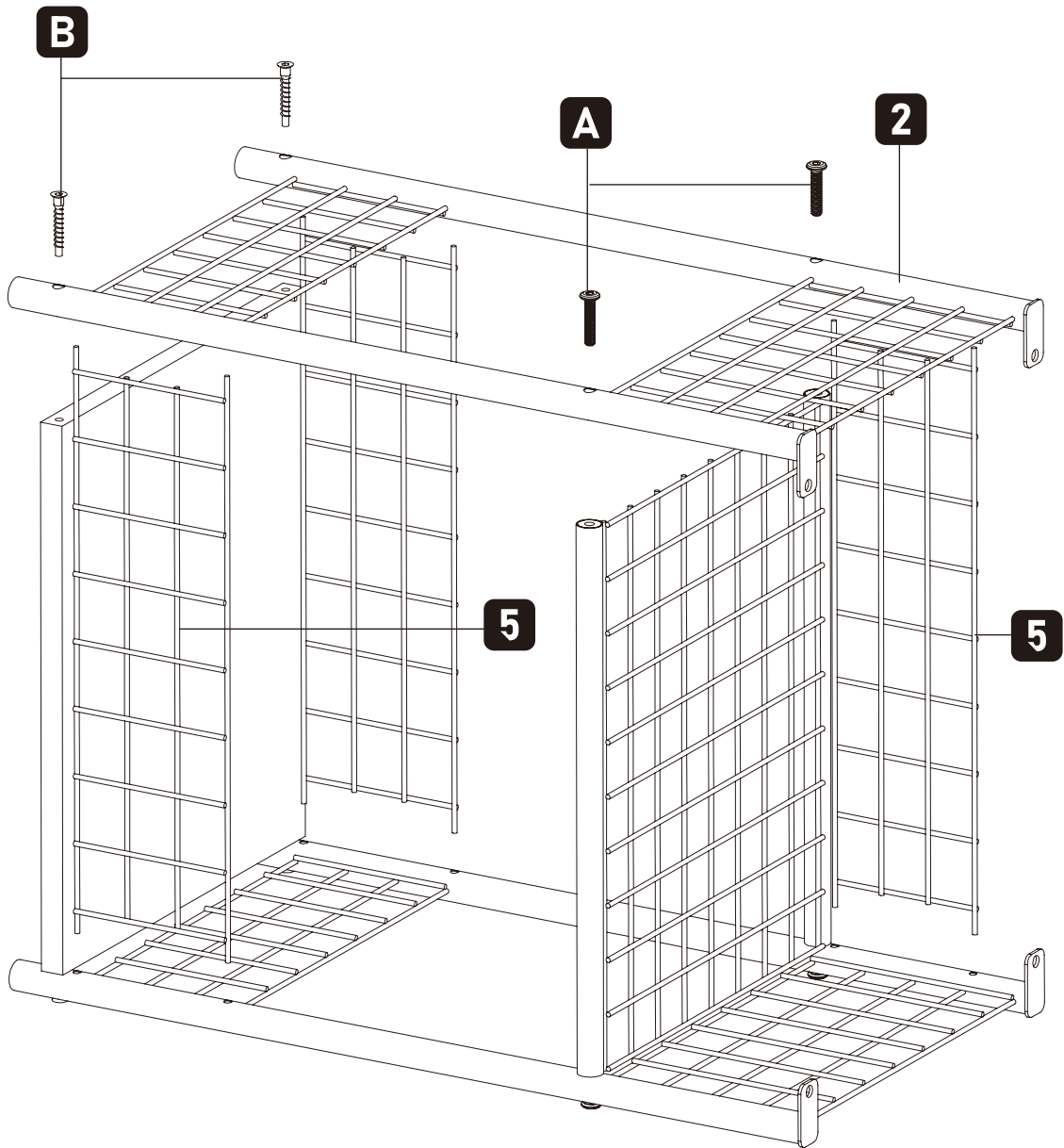
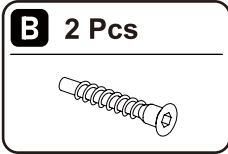
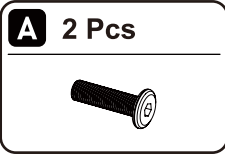
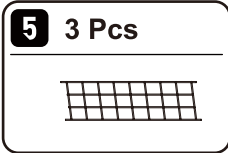
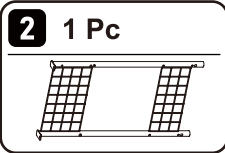
**E** Tool



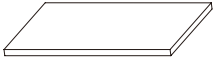
**6**  
1 Pc



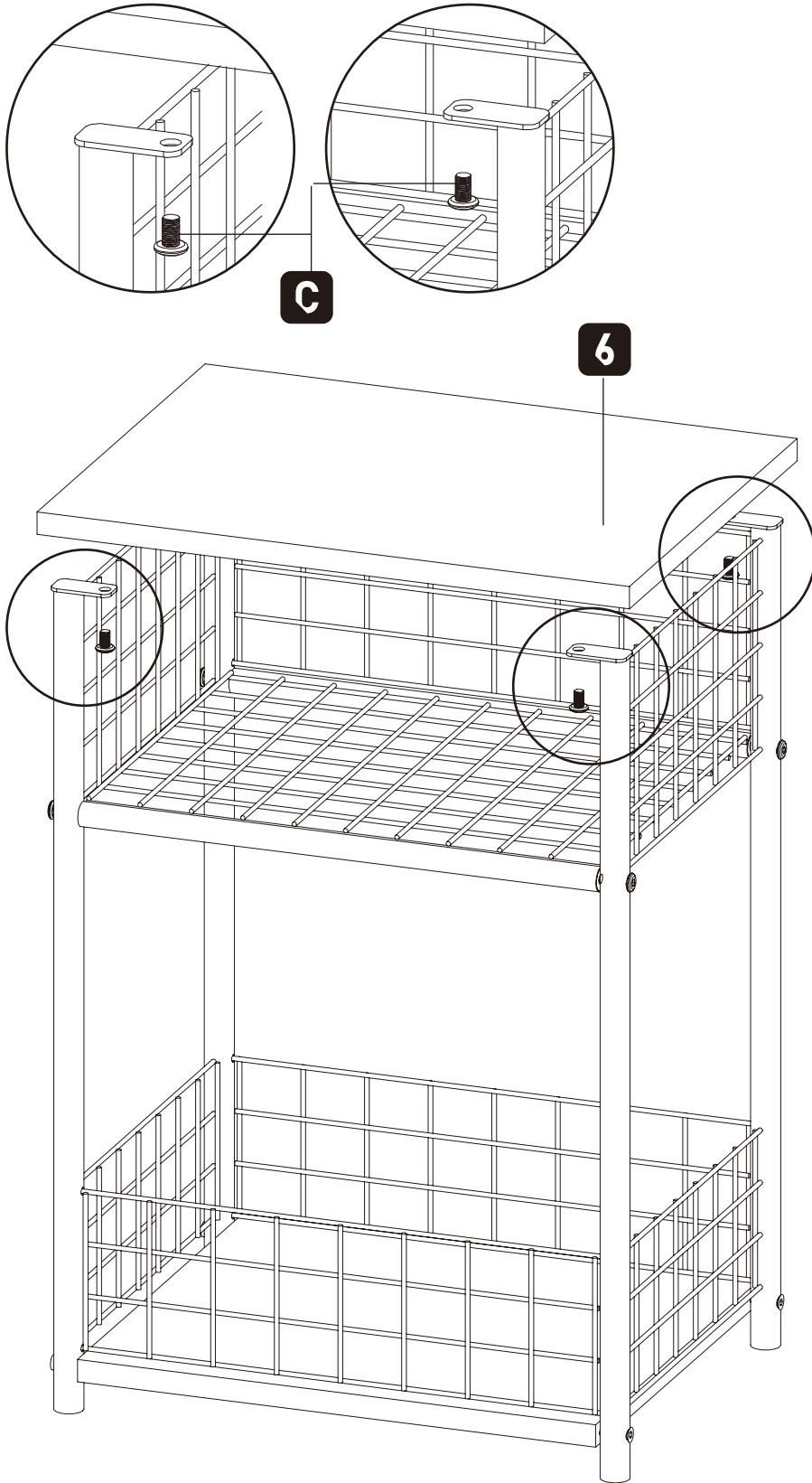





**6** 1 Pc



**C** 4 Pcs



**D** 2Pcs/2Pcs

