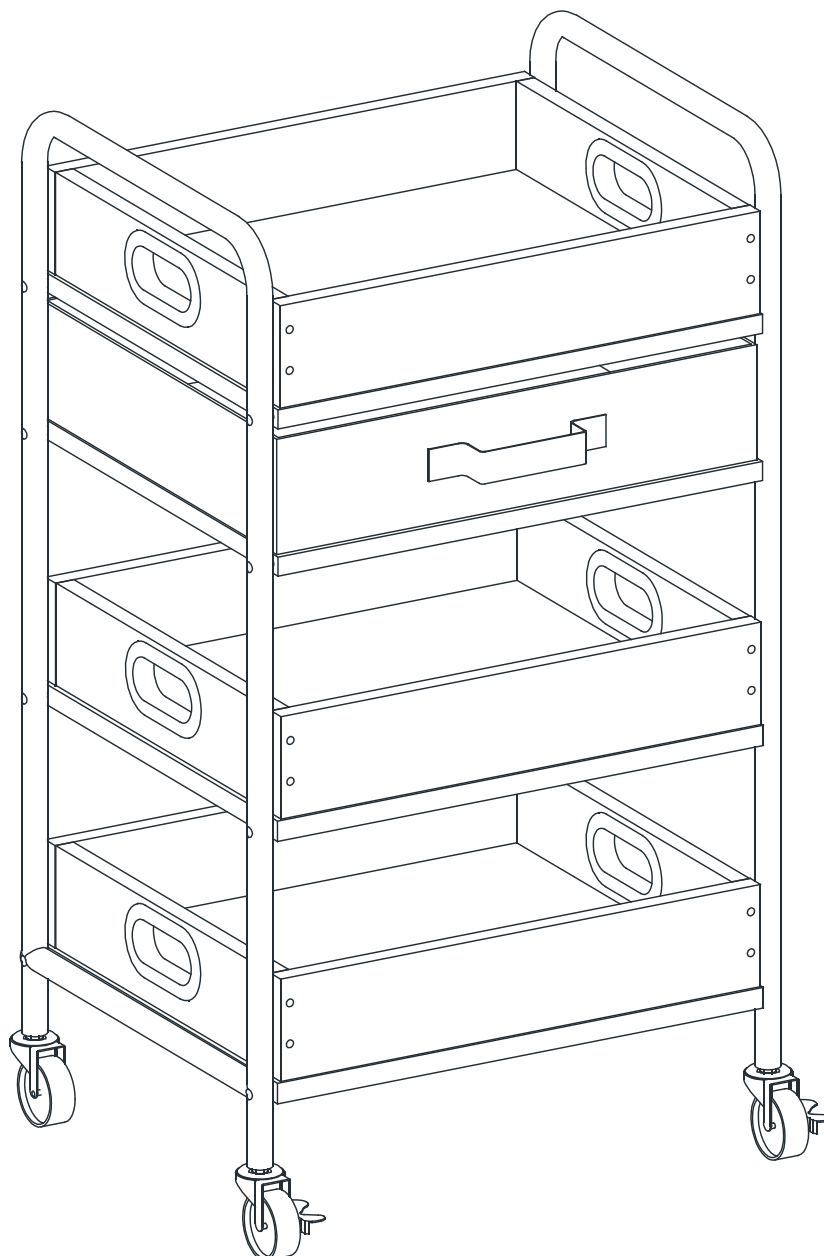




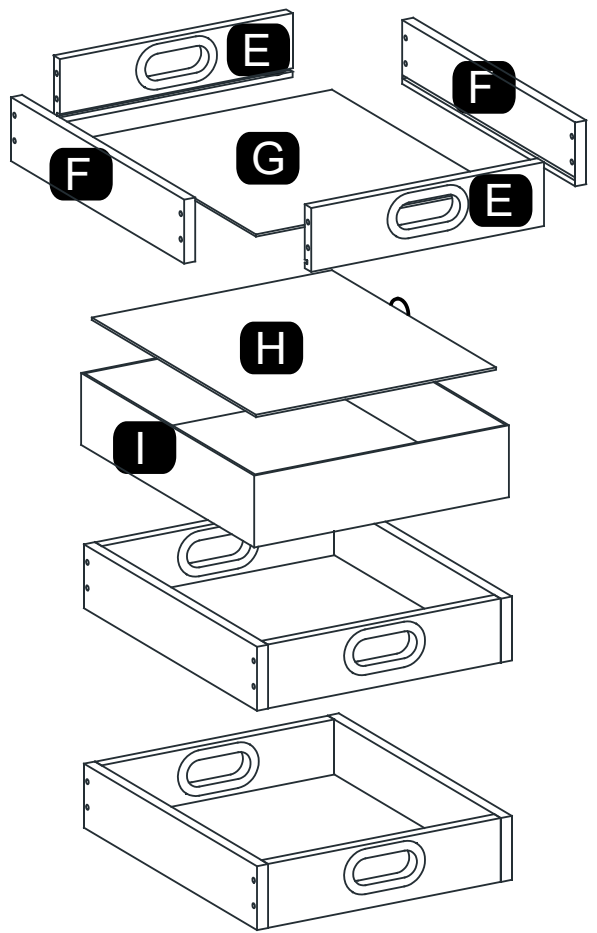
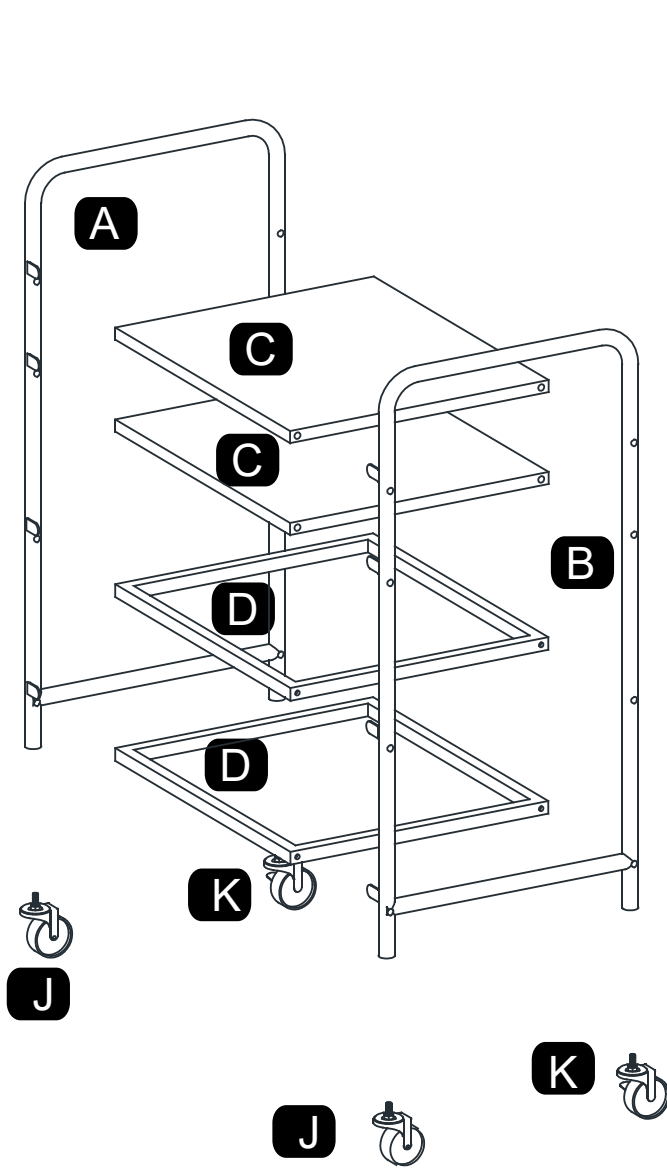
INccd129_US_CA_UK_FR_ES_DE_IT

801-273V00

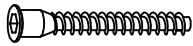


IMPORTANT, RETAIN FOR FUTURE REFERENCE: READ CAREFULLY

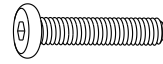
ASSEMBLY INSTRUCTION



PARTS



1 x32
7*48mm
+1 (spare)



2 x 8
6*28mm
+1 (spare)

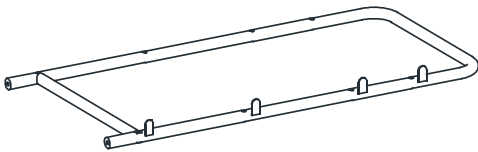


3 x 1

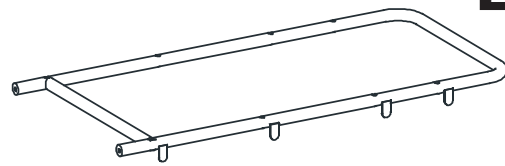


4 x 1

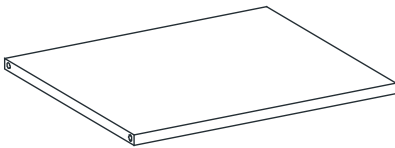
HARDWARE



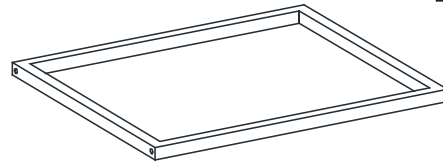
A x 1



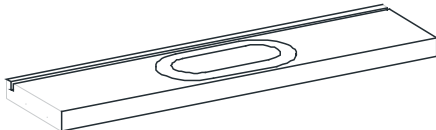
B x 1



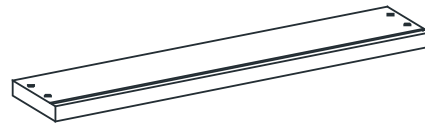
C x 2



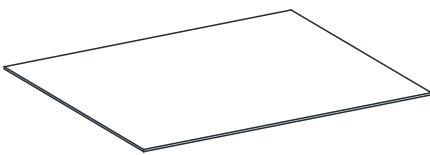
D x 2



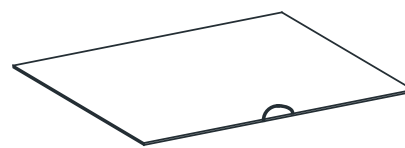
E x 6



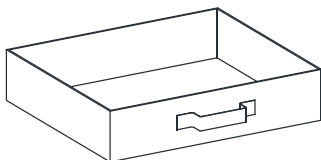
F x 6



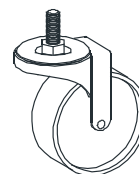
G x 3



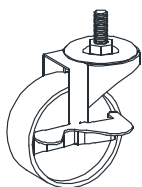
H x 1



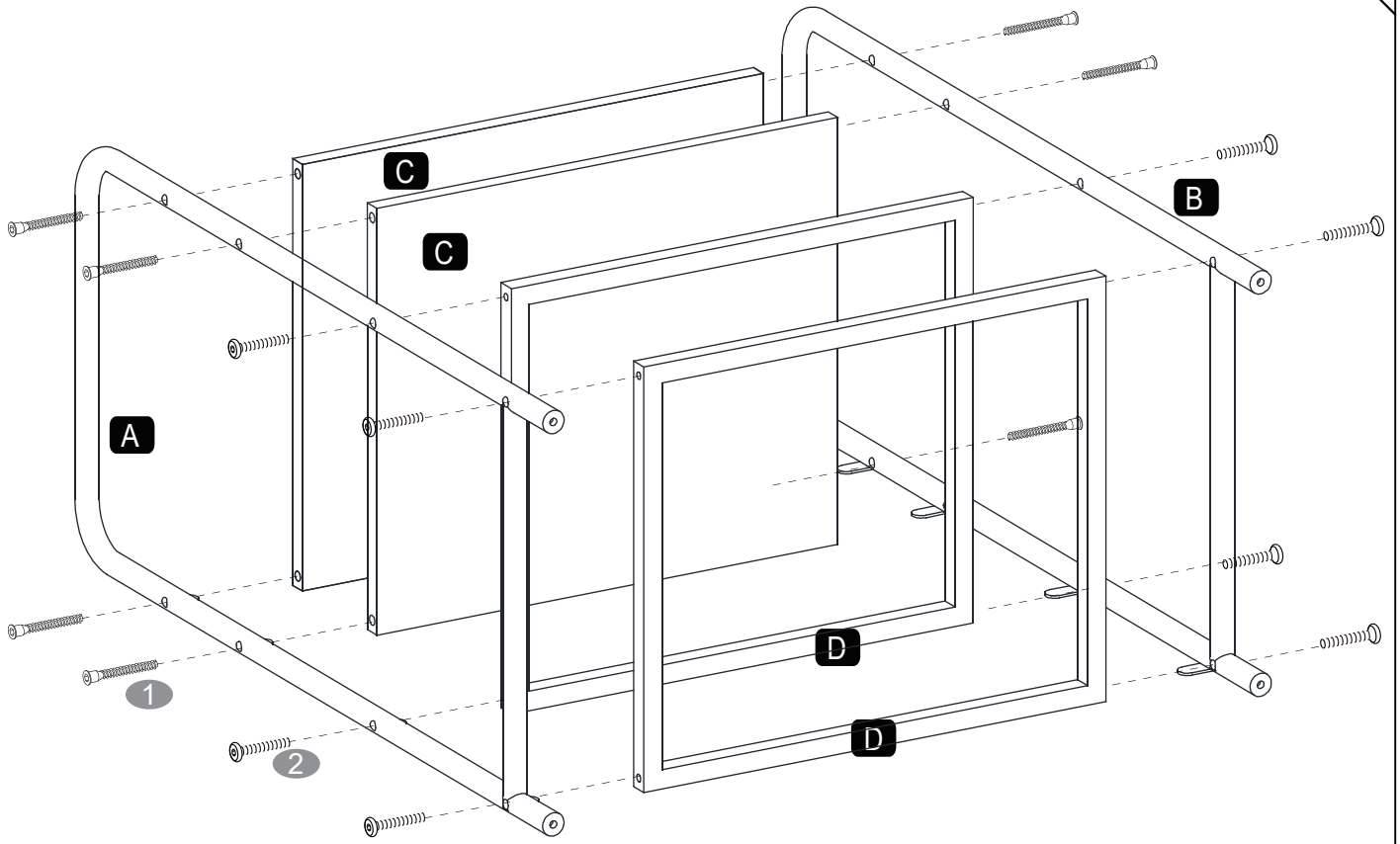
I x 1


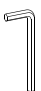

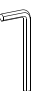


J x 2



K x 2



1 7X48MM  X8 	2 6X28MM  X8 
--	--

