

**EN\_IMPORTANT, RETAIN FOR FUTURE REFERENCE: READ CAREFULLY.**

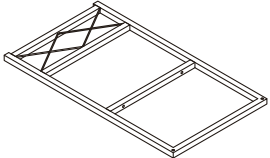
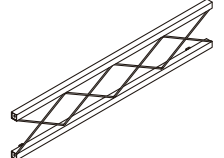
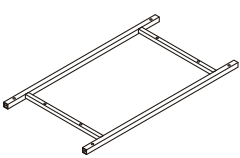
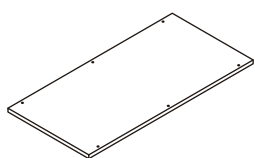
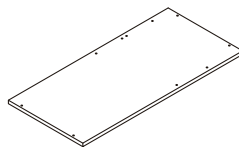
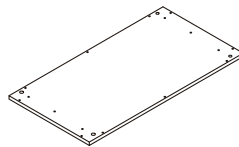
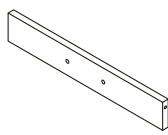
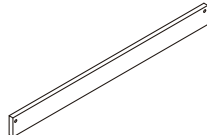
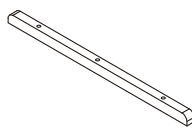
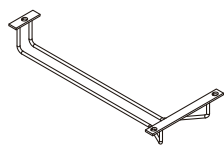
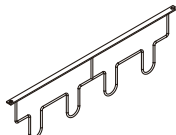
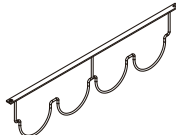
**FR\_IMPORTANT: A LIRE ATTENTIVEMENT ET À CONSERVER POUR CONSULTATION ULTÉRIEURE.**

**ES\_IMPORTANTE, LEA Y GUARDE PARA FUTURAS REFERENCIAS.**

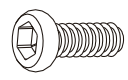
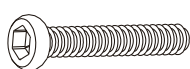
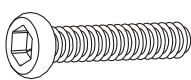



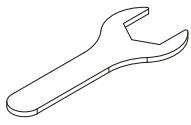
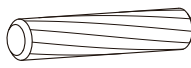
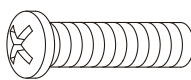
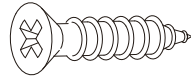
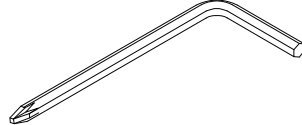

**DE\_„, WICHTIG! SORGFÄLTIG LESEN UND FÜR SPÄTER NACHSCHLAGEN AUFBEWAHREN.“**

**IT\_IMPORTANTE! CONSERVARE IL PRESENTE MANUALE PER FUTURO RIFERIMENTO E LEGGERLO ATTENTAMENTE.**

**PARTS**

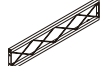
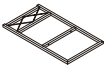
 <b>1</b> X2	 <b>2</b> X2	 <b>3</b> X1	 <b>4</b> X1
 <b>5</b> X1	 <b>6</b> X1	 <b>7</b> X2	 <b>8</b> X2
 <b>9</b> X2	 <b>10</b> X2	 <b>11</b> X1	 <b>12</b> X1

**HARDWARE**

 <b>A</b> x 24 M6*12 +1 (spare)	 <b>B</b> x 4 M6*40 +1 (spare)	 <b>C</b> x 4 M6*30 +1 (spare)
 <b>D</b> x 18 M5*40 +1 (spare)	 <b>E</b> x 2	 <b>F</b> x 4 x2      x2
 <b>G</b> x 1	 <b>H</b> x 8 Ø8*30 +1 (spare)	 <b>I</b> x 4 M4*18 +1 (spare)
 <b>J</b> x 4 M4*25 +1 (spare)	 <b>K</b> x 1 M4	 <b>L</b> x 1 M3

M6×12

M6×40



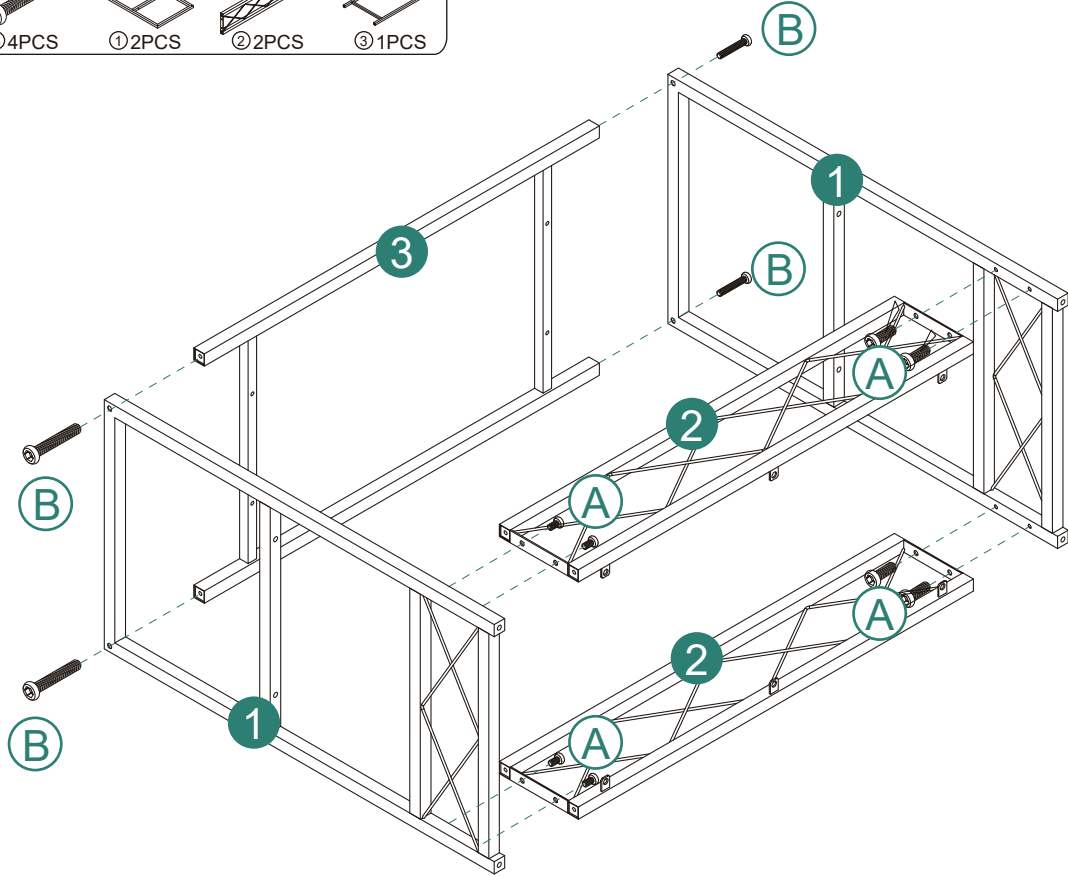
Ⓐ 8PCS

Ⓑ 4PCS

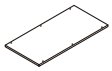
① 2PCS

② 2PCS

③ 1PCS

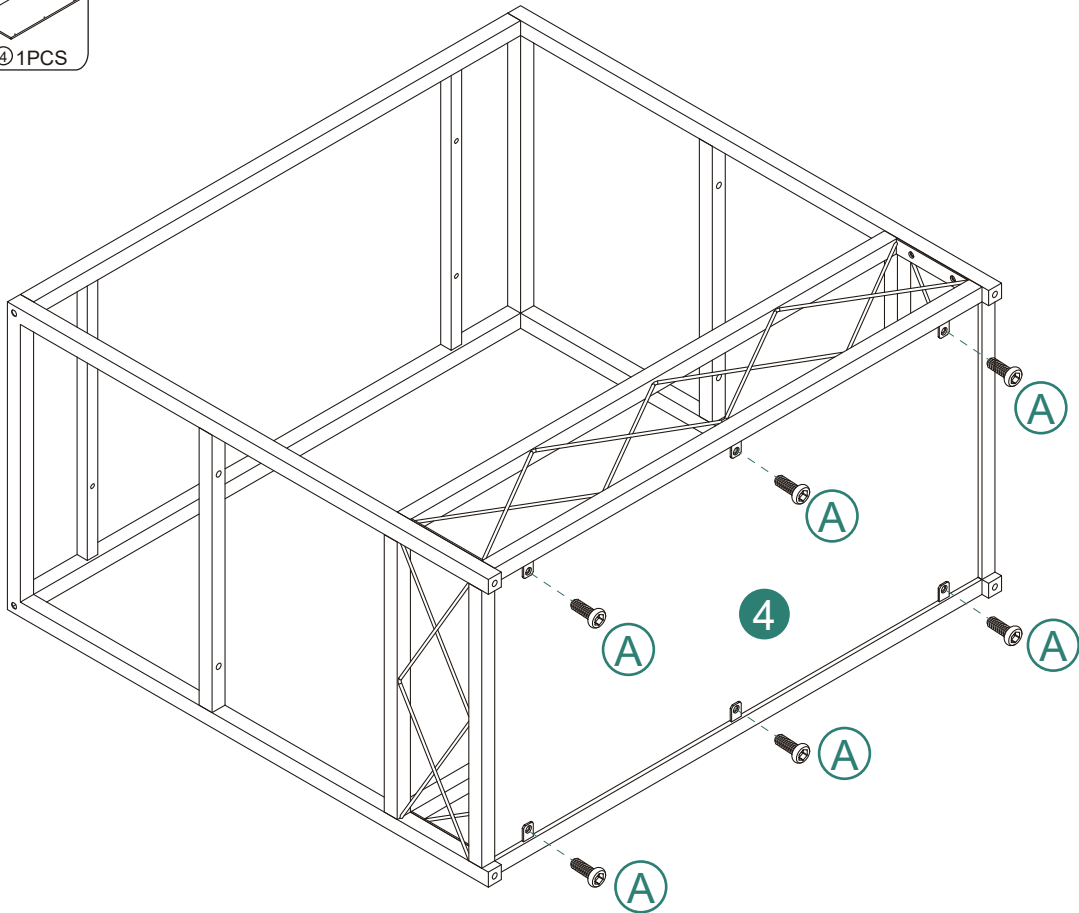


M6×12



Ⓐ 6PCS

④ 1PCS



M6×12



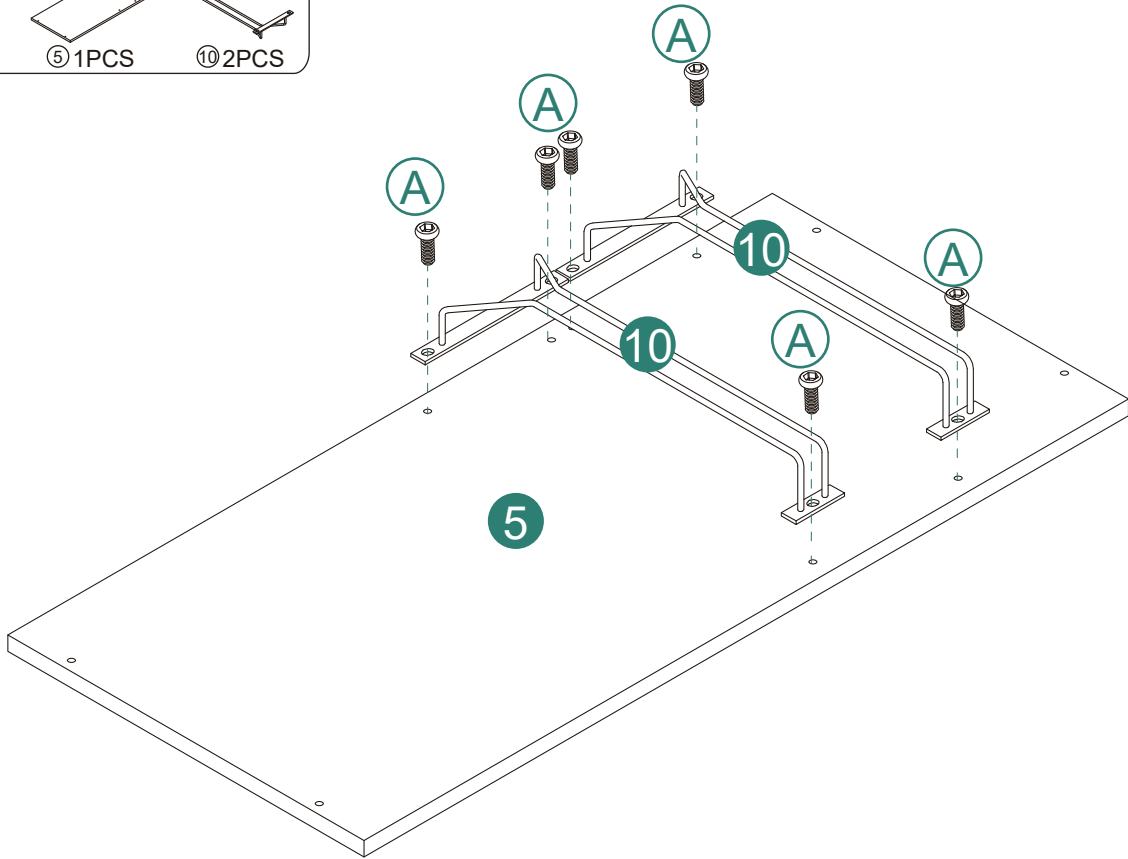
Ⓐ 6PCS



Ⓔ 1PCS



⓫ 2PCS



M6×30



Ⓒ 4PCS

