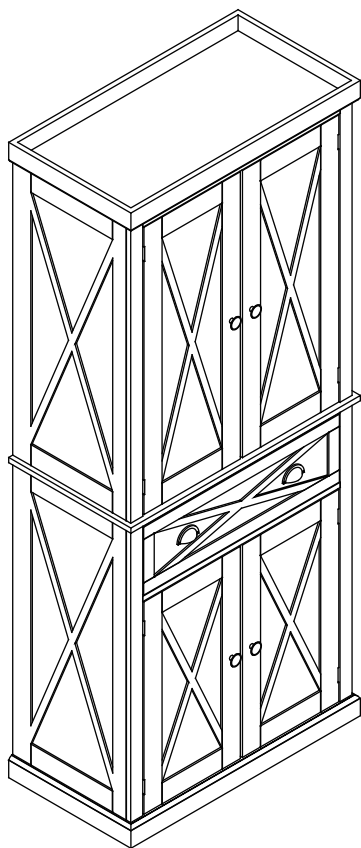


835-116

C00000

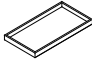




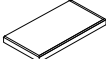




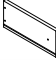

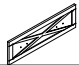



Please read these instructions and warranty information carefully before use and keep them properly for future reference.

OPERATING INSTRUCTIONS

PACKING DETAILS:TOTAL 2 BOXES


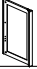




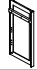
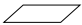
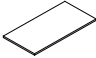
BOX 1/2:

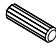






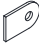









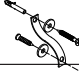
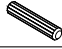


PART NO.	PARTS	QTY
1		x1
4		x1
5		x1
9		x1
12		x1
13		x1
15		x1
16		x1
17		x1
18		x1
19		x1
20		x1
21		x1
22		x1

This product is packed in 2 outer boxes.Please install it after all.Thank you!

PACKING DETAILS: TOTAL 2 BOXES

BOX 2/2:

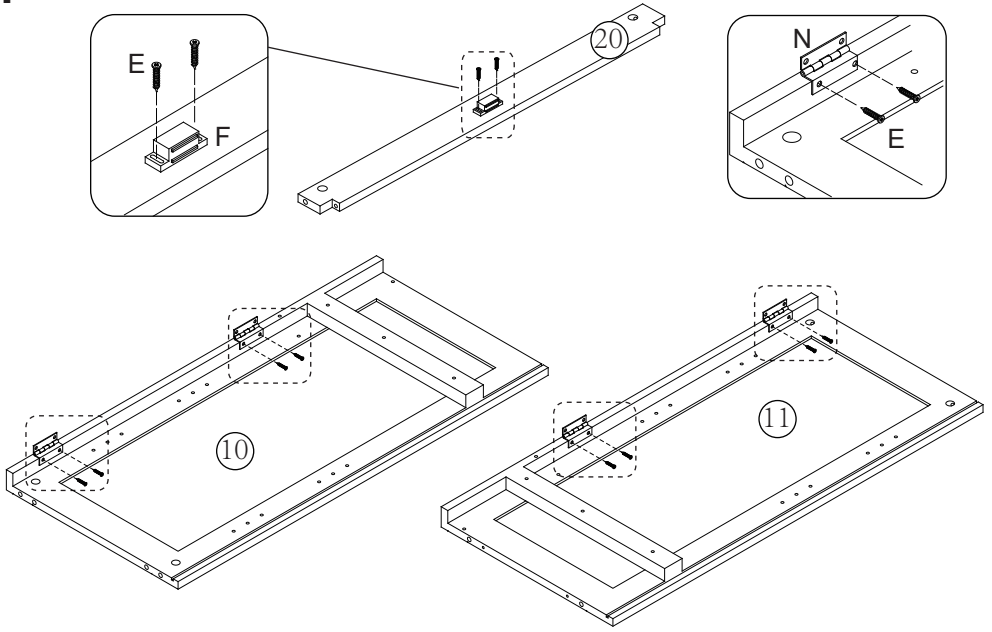
PART NO.	PARTS	QTY
2		x1
3		x1
6		x2
7		x1
8		x1
10		x1
11		x1
14		x1
22		x2

PART NO.	PARTS	QTY
A		x8
B		x4
C		x26
D		x8
E		x36
F		x2
G		x2
H		x4
I		x4
J		x2
K		x4
L		x12
M		x2
N		x8
O		x6
P		x12
Q		x4
R		x2
S		x2
T		x2
U		x4

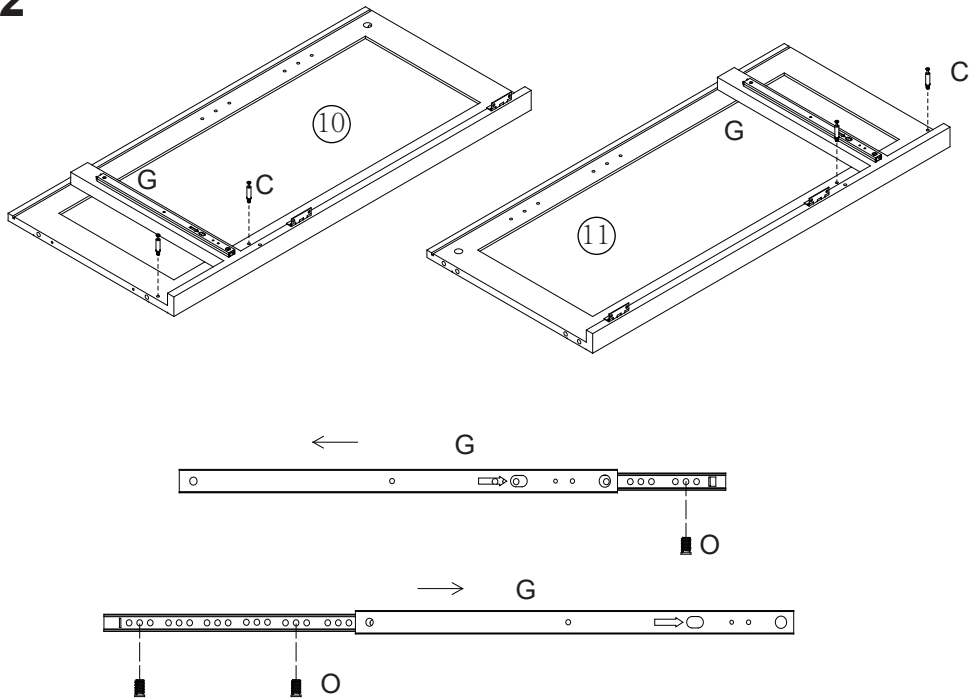
This product is packed in 2 outer boxes.
Please install it after all. Thank you!

Assembly Instructions

1

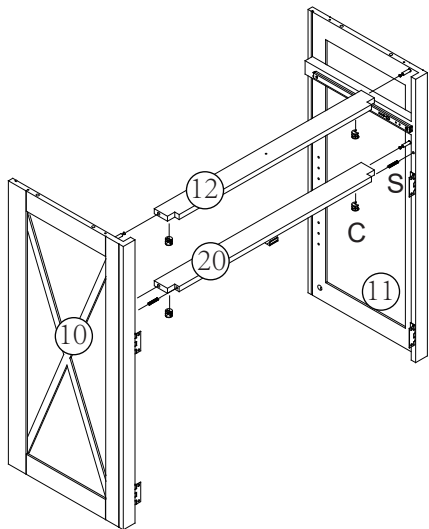


2

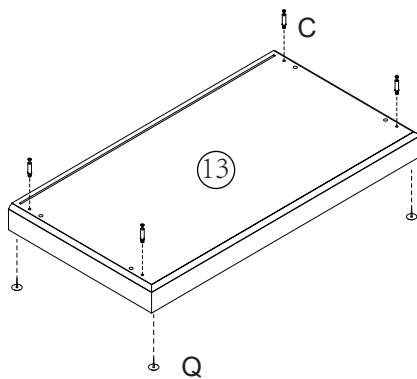


Assembly Instructions

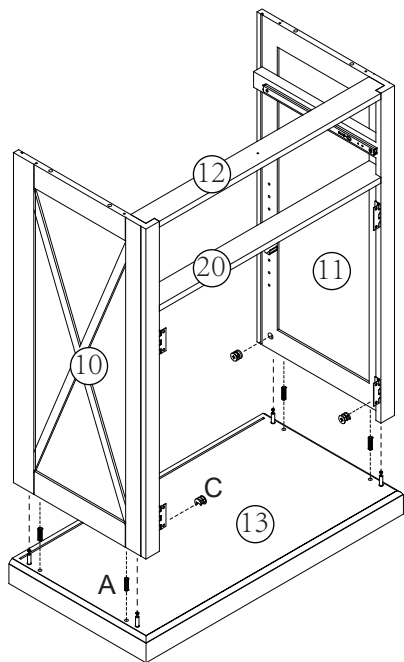
3



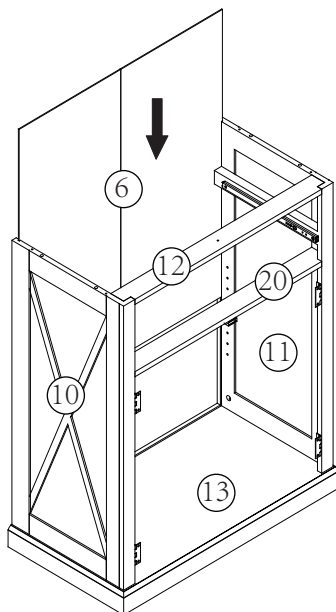
4



5

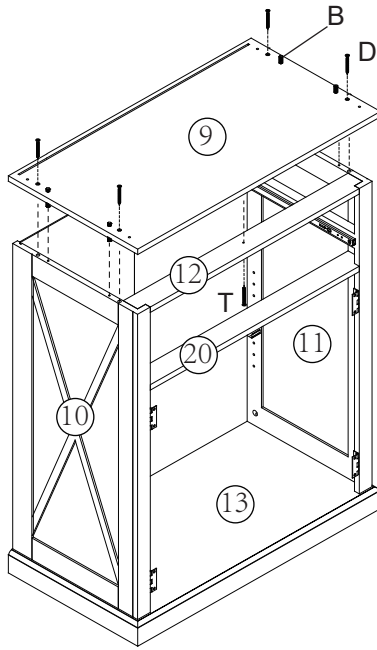


6

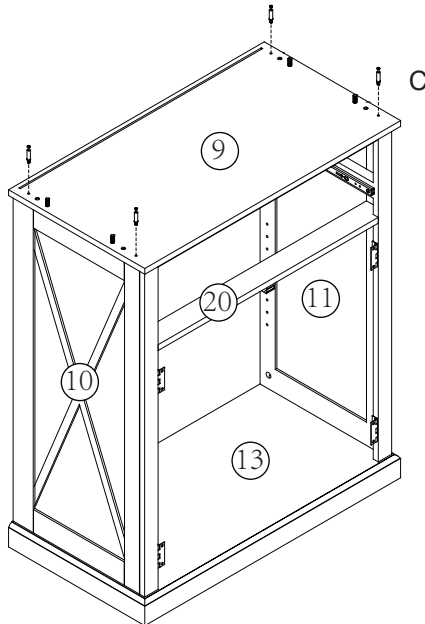


Assembly Instructions

7

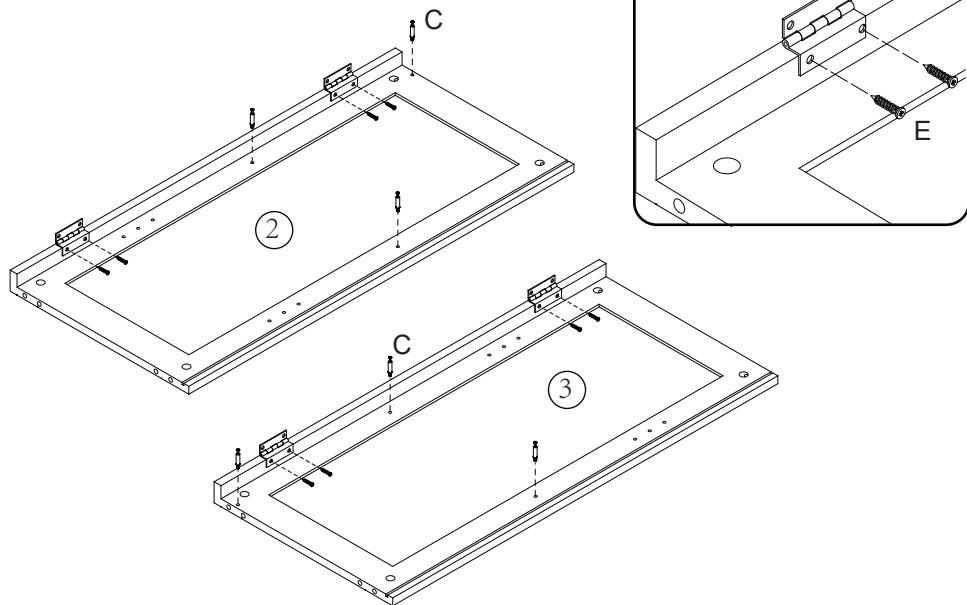


8

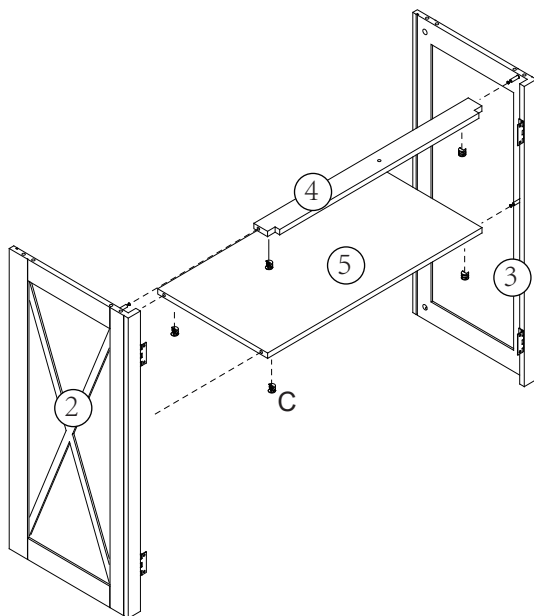


Assembly Instructions

9

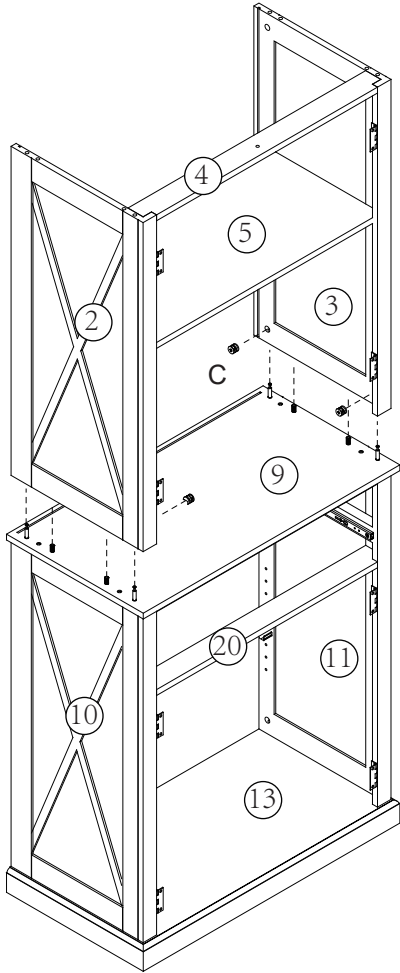


10

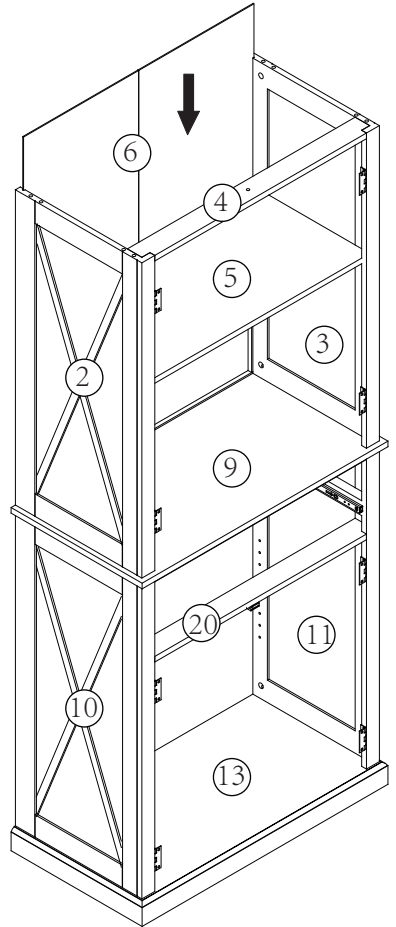


Assembly Instructions

11

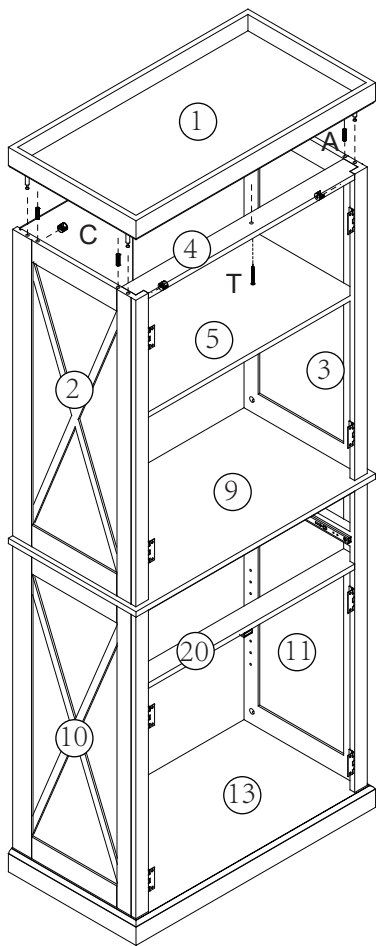
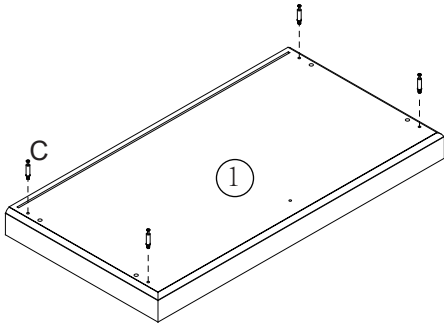


12

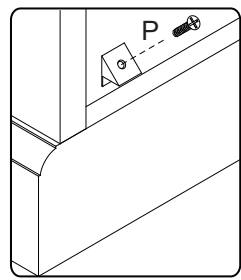
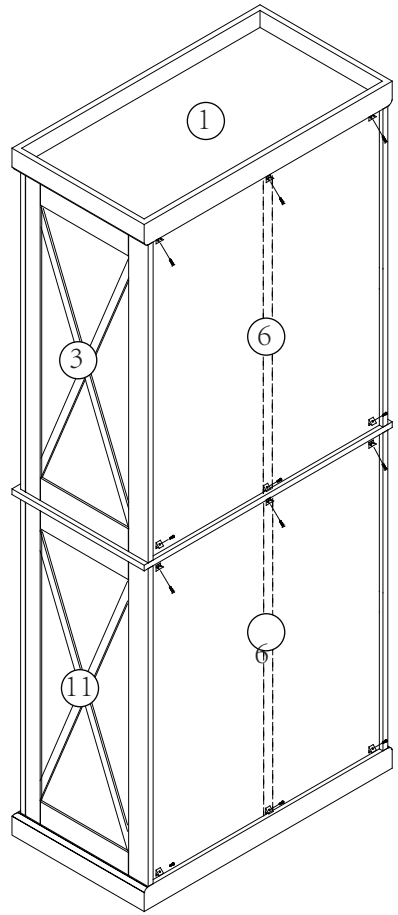


Assembly Instructions

13

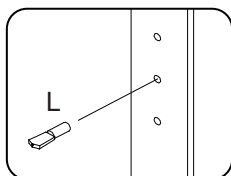
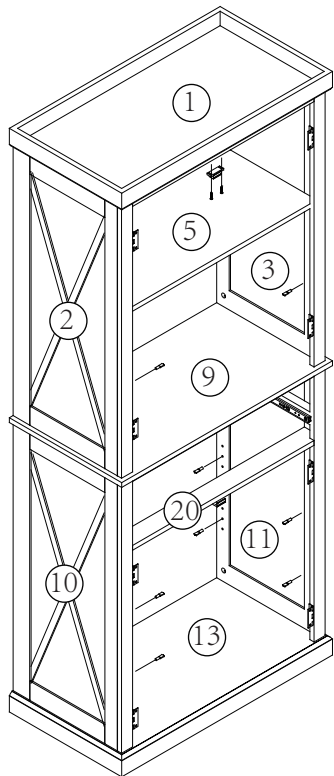
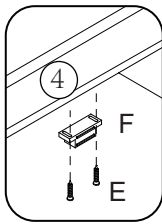


14

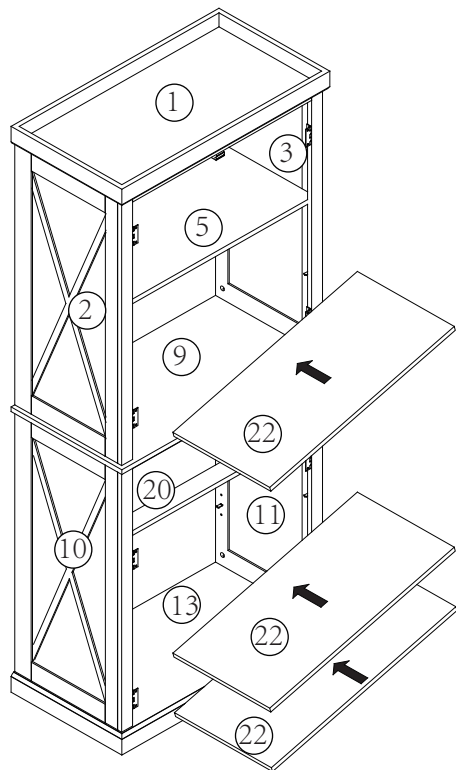


Assembly Instructions

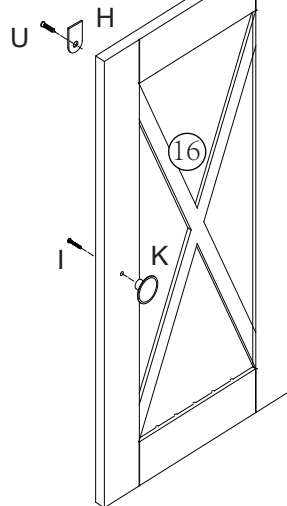
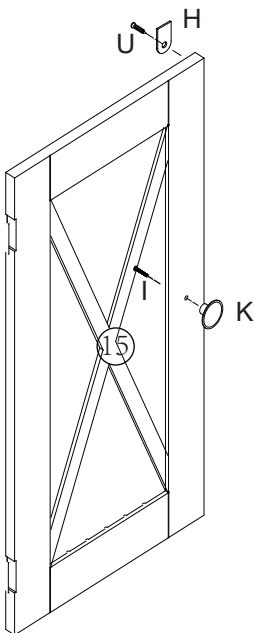
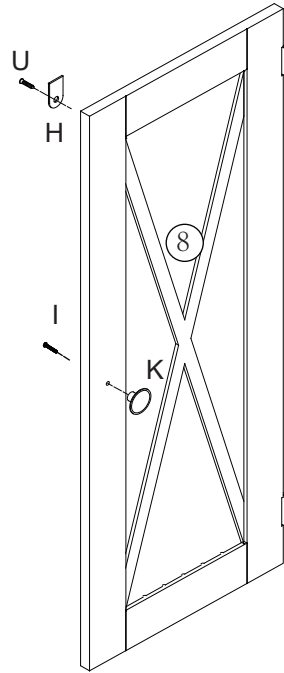
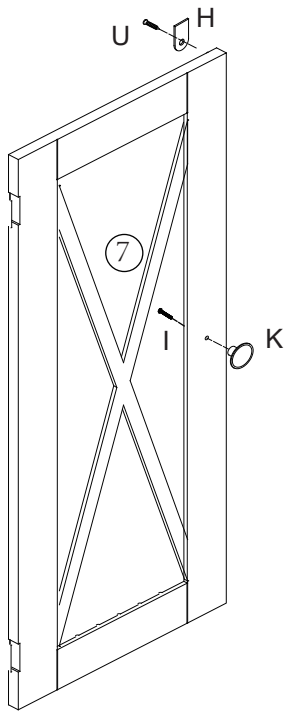
15



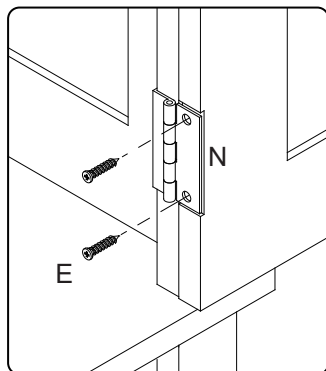
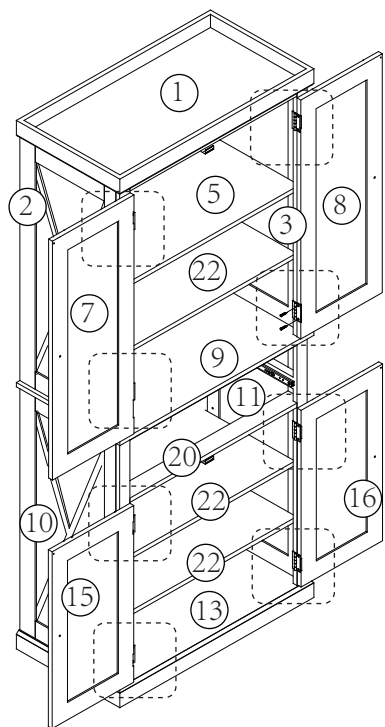
16



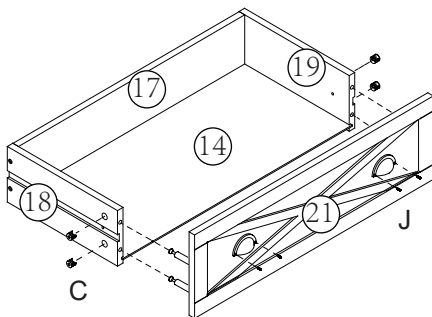
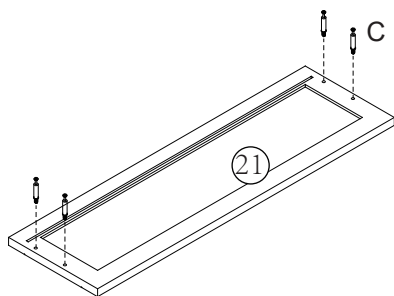
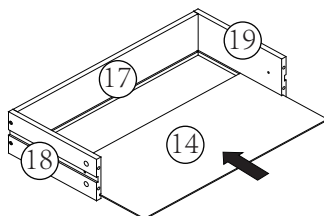
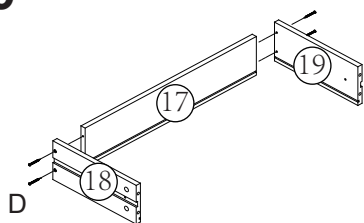
17



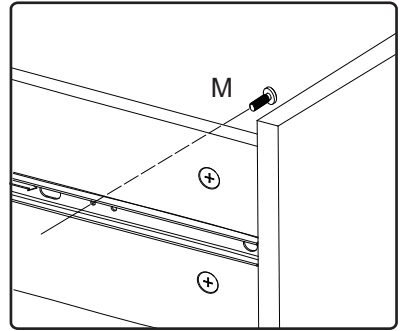
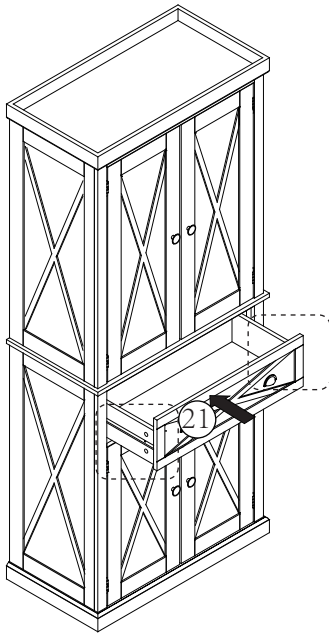
18



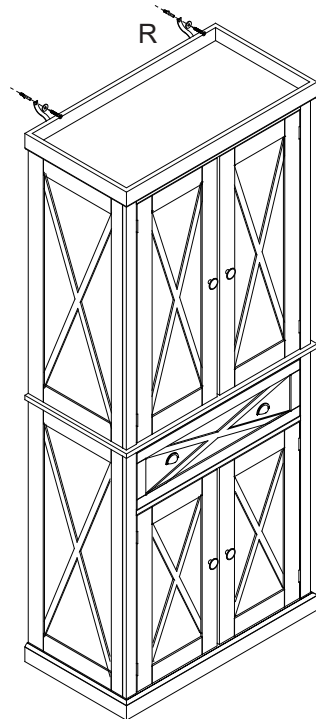
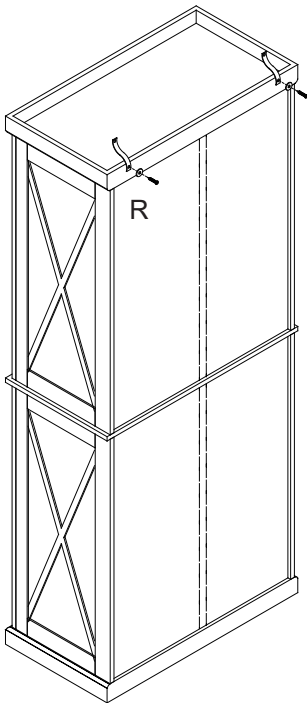
19



20



21



US



001-877-644-9366
customerservice@aosom.com

CA



001-855-537-6088
customerservice@aosom.ca

UK



0044-800-240-4004
enquiries@mhstar.co.uk

DE



0049-(0)40-88307530
service@aosom.de

FR



0033-1-84166106
contact@aosom.fr

ES



0034-931294512
atencioncliente@aosom.es

IT



0039-0249471447
clienti@aosom.it